

US00D808757S

(12) **United States Design Patent**  
**Kawamura et al.**

(10) **Patent No.:** **US D808,757 S**  
(45) **Date of Patent:** **\*\* Jan. 30, 2018**

(54) **HOLDING TOOL FOR PLASTIC-MADE CAPS**

(71) Applicants: **DAIKYO SEIKO, LTD.**, Tochigi (JP);  
**NUOVA OMPI SRL**  
**UNIPERSONALE**, Piombino Dese,  
Padua (IT)

(72) Inventors: **Hideaki Kawamura**, Tokyo (JP);  
**Nicoletti Fabiano**, Venice (IT)

(73) Assignees: **DAIKYO SEIKO, LTD.**, Tochigi (JP);  
**NUOVA OMPI SRL**  
**UNIPERSONALE**, Padua (IT)

(\*\*) Term: **15 Years**

(21) Appl. No.: **29/569,750**

(22) Filed: **Jun. 30, 2016**

(30) **Foreign Application Priority Data**

Jan. 4, 2016 (JP) ..... 2016-000023

(51) **LOC (11) Cl.** ..... **08-05**

(52) **U.S. Cl.**  
USPC ..... **D8/71**

(58) **Field of Classification Search**  
USPC ..... D3/313; D6/552, 672; D7/601, 602,  
D7/619.1, 620, 624.1, 701-704, 707, 708;  
(Continued)

(56) **References Cited**

**U.S. PATENT DOCUMENTS**

D193,448 S \* 8/1962 Theilig ..... D9/456  
D198,145 S \* 5/1964 Randall ..... D9/456  
(Continued)

**OTHER PUBLICATIONS**

AliExpress. Custom Precision Plastic Injection mold for cups. 2017 [earliest online date], [site visited Jul. 17, 2017]. Available from Internet, <URL:https://www.aliexpress.com/item/Custom-Preci-

sion-Plastic-Injection-mold-Plastic-Injection-Mould-Inject-Mould-Manufacturer/32216233129.html?spm=2114.search0302.4.88.uZsFsA>.\*

*Primary Examiner* — Robert M Spear  
*Assistant Examiner* — Darcey E Heflin  
(74) *Attorney, Agent, or Firm* — Cermak Nakajima & McGowan LLP; Tomoko Nakajima

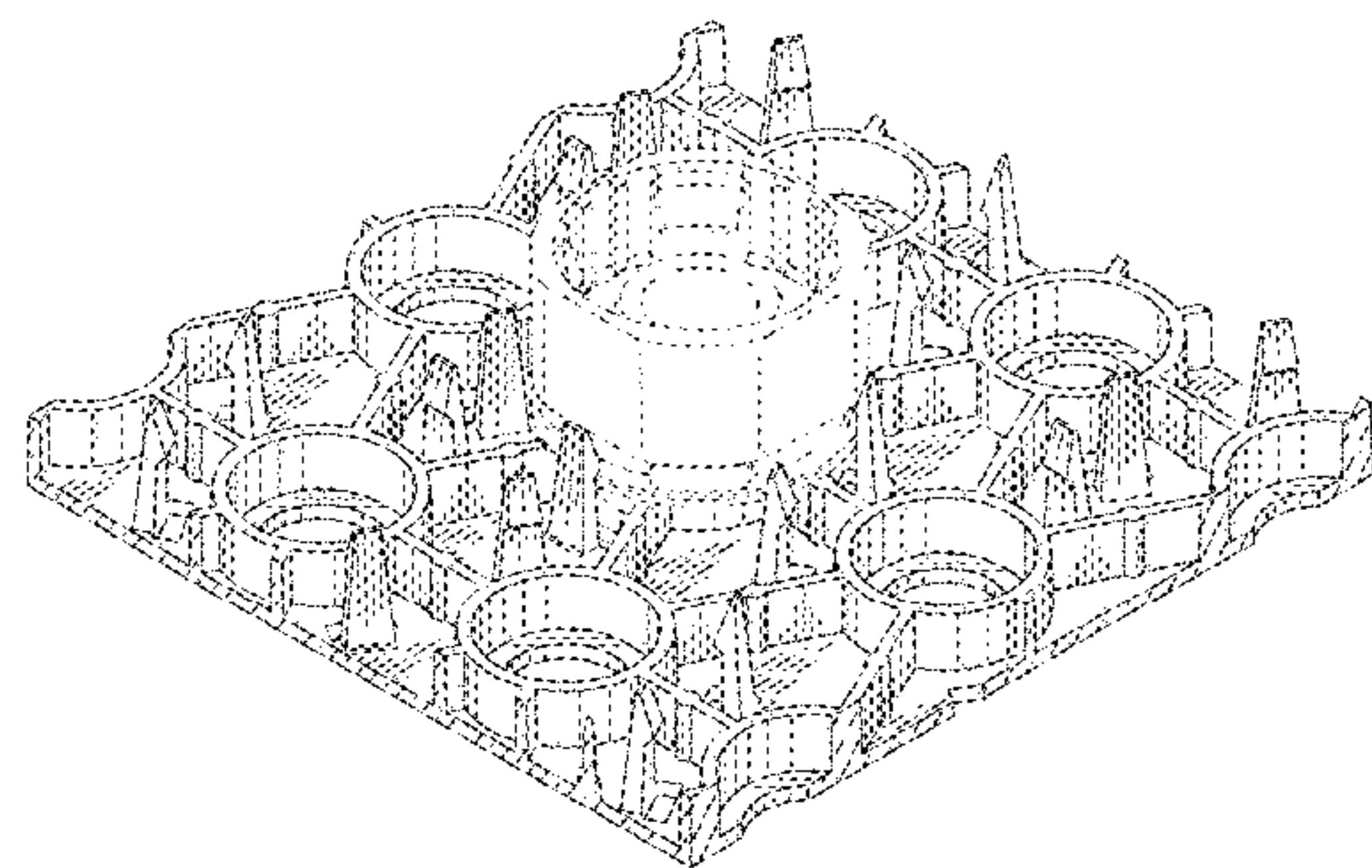
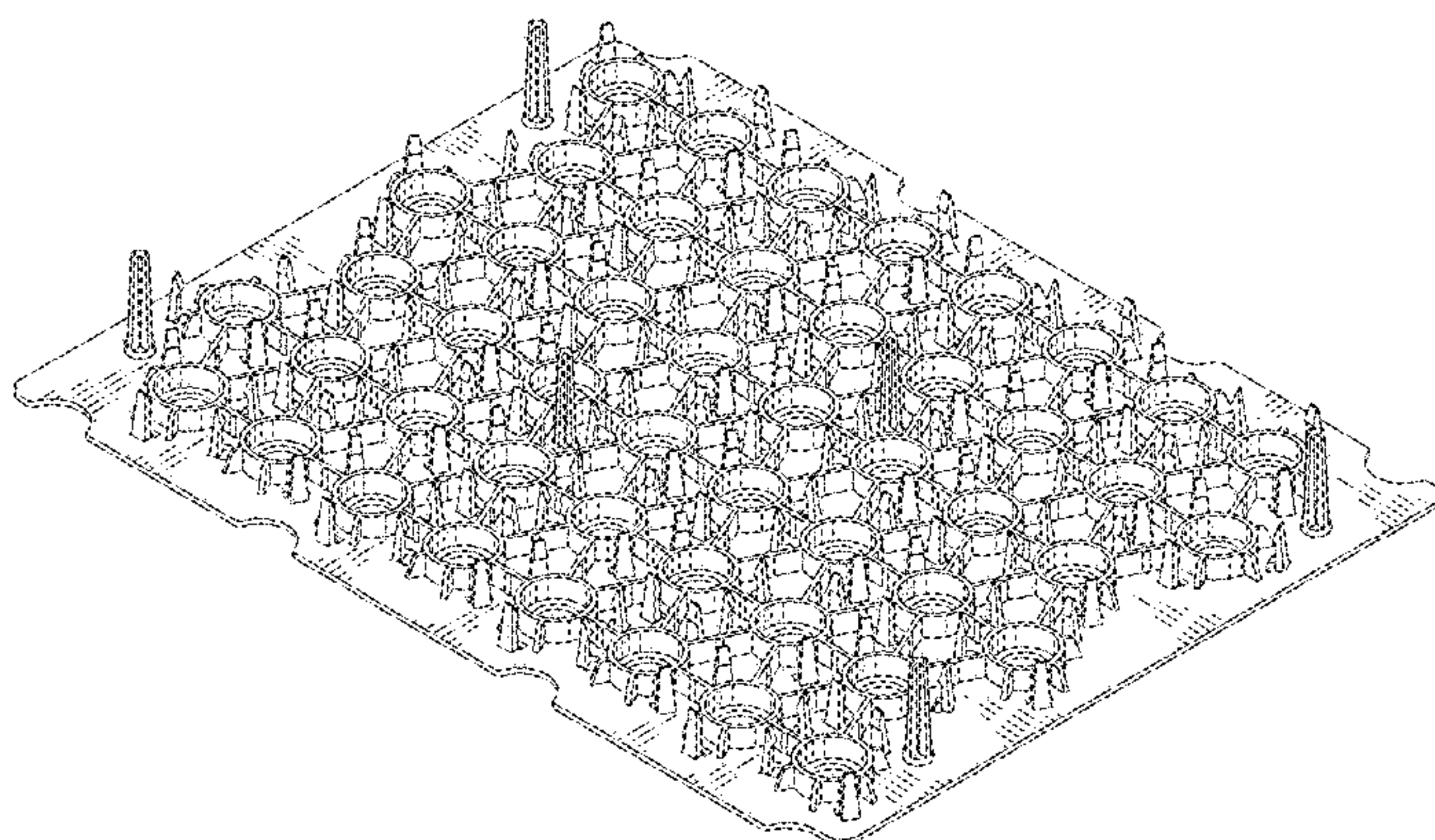
(57) **CLAIM**

The ornamental design for a holding tool for plastic-made caps, as shown and described.

**DESCRIPTION**

FIG. 1 is a front elevational view of a holding tool for plastic-made caps showing our new design; FIG. 2 is a rear elevational view thereof; FIG. 3 is a top plan view thereof; FIG. 4 is a bottom plan view thereof; FIG. 5 is a right side elevational view thereof; and FIG. 6 is a left side elevational view thereof. FIG. 7 is a front perspective view thereof; FIG. 8 is a enlarged partial front elevational view thereof taken along lines 8-8 and 8'-8' Shown in FIG. 1 FIG. 9 is a enlarged partial rear elevational view thereof taken along lines 9-9 and 9'-9' shown in FIG. 2; FIG. 10 is a cross-sectional view thereof taken along line 10-10 shown in FIG. 8; FIG. 11 is a cross-sectional view thereof taken along the line 11-11 shown in FIG. 8; FIG. 12 is a enlarged partial front elevational view thereof taken along lines 8-8 and 8'-8' shown in FIG. 1; FIG. 13 is a sectional view taken along line 13-13'-13" as shown in FIG. 12. FIG. 14 is enlarged partial front perspective view of FIG. 8; FIG. 15 is a enlarged partial rear perspective view of FIG. 9; FIG. 16 is a sectional view of FIG. 13 in an environment of use; and, FIG. 17 is a enlarged partial perspective view of FIG. 8 in an environment of use.

(Continued)







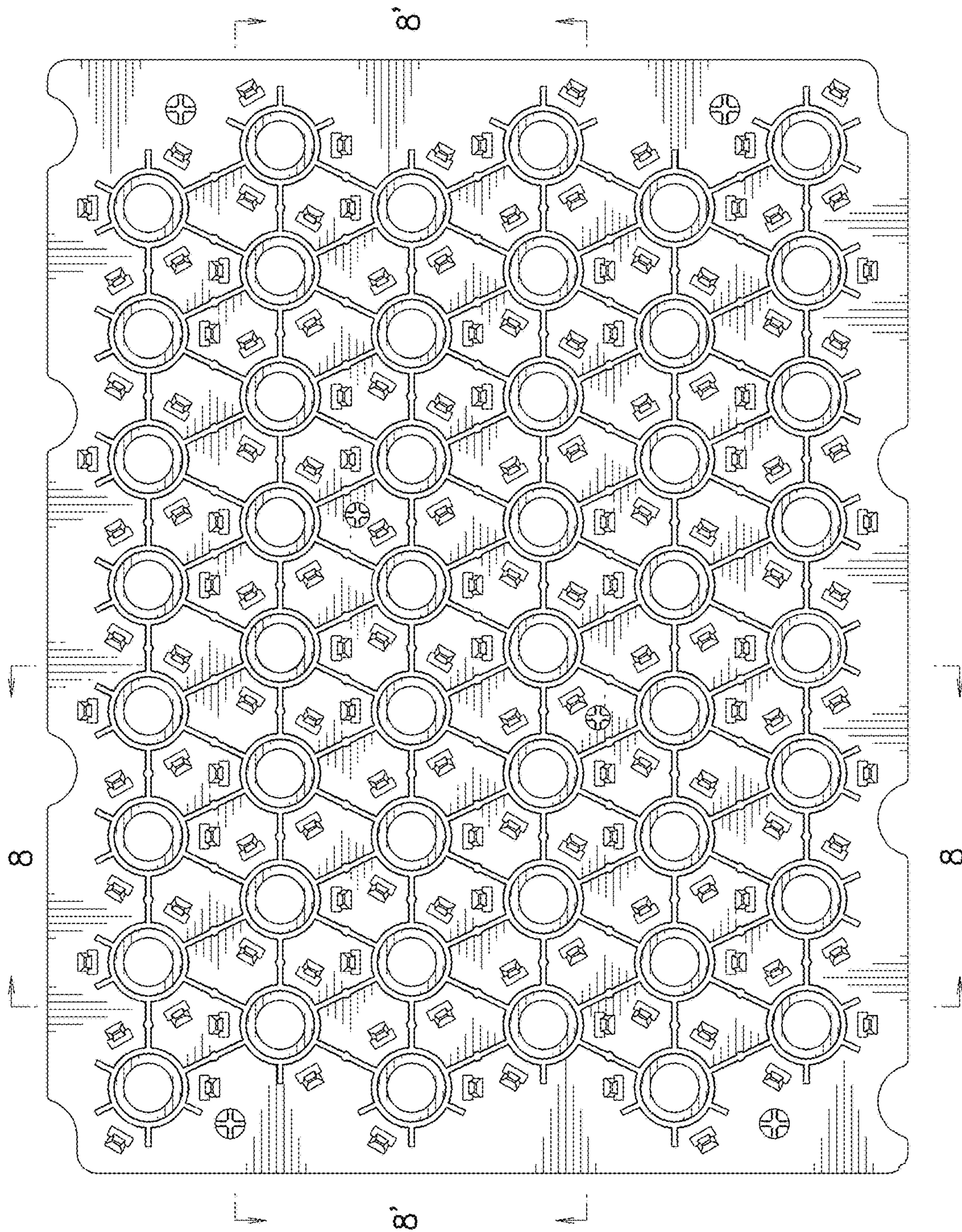


FIG. 1

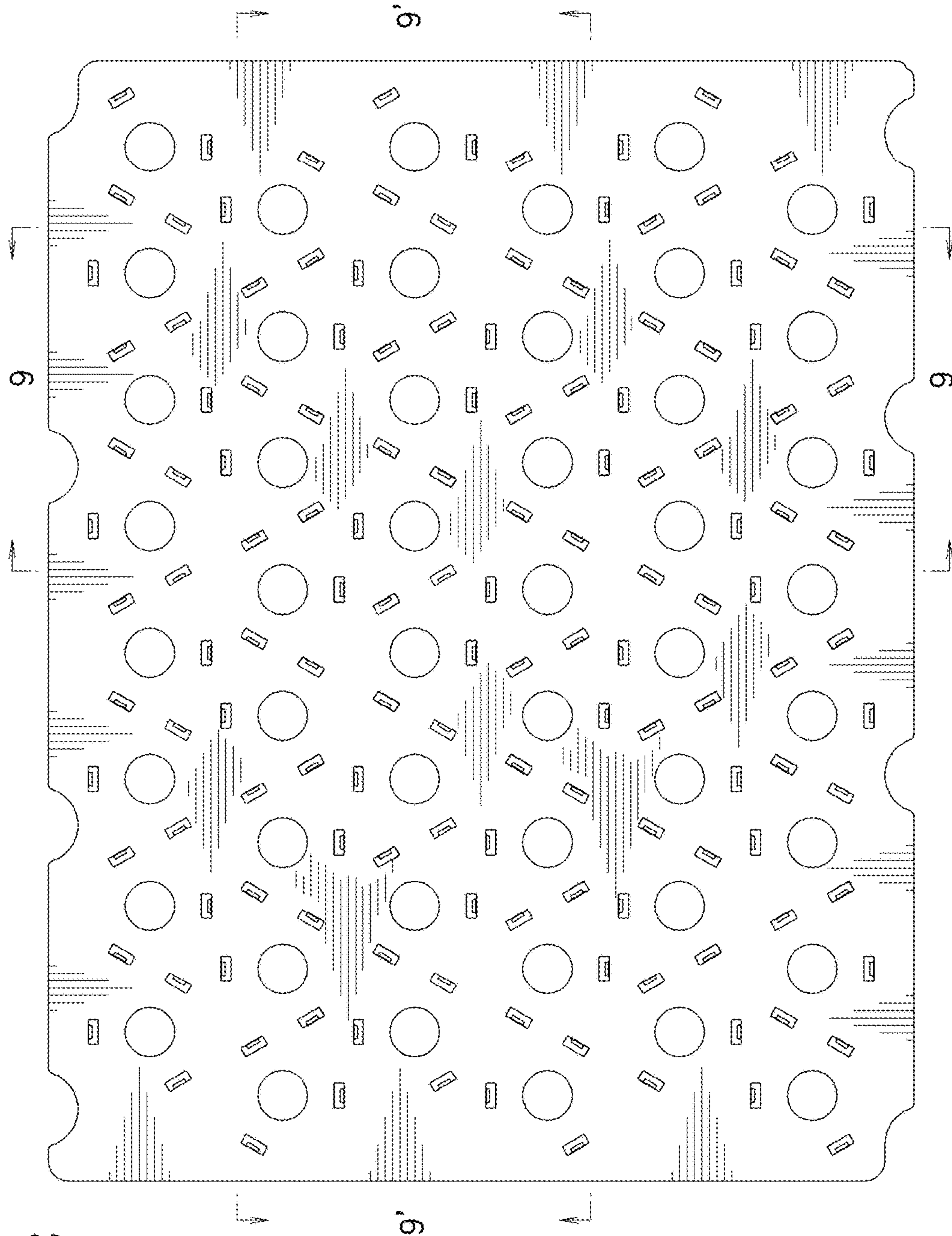


FIG. 2



FIG. 3

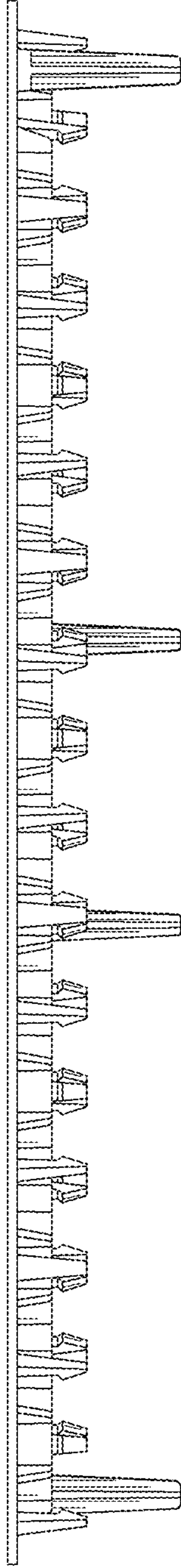
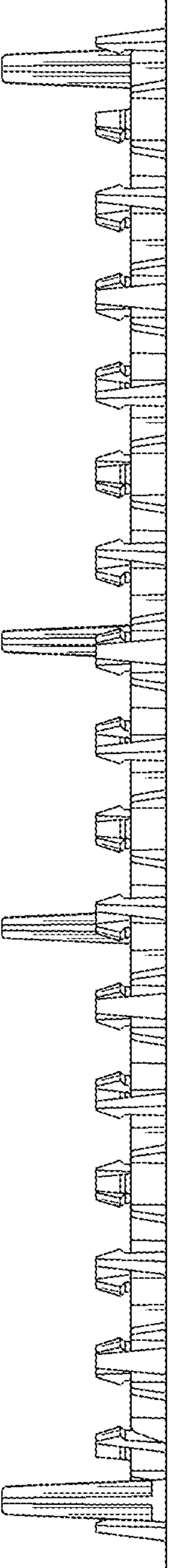


FIG. 4



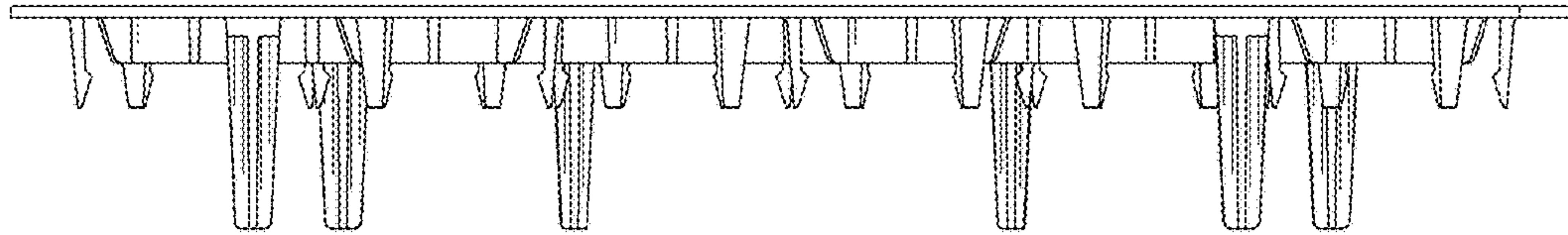


FIG. 5

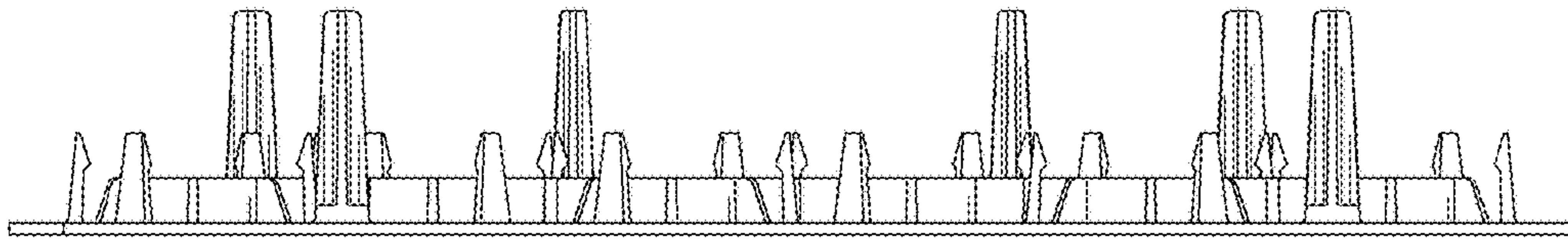


FIG. 6



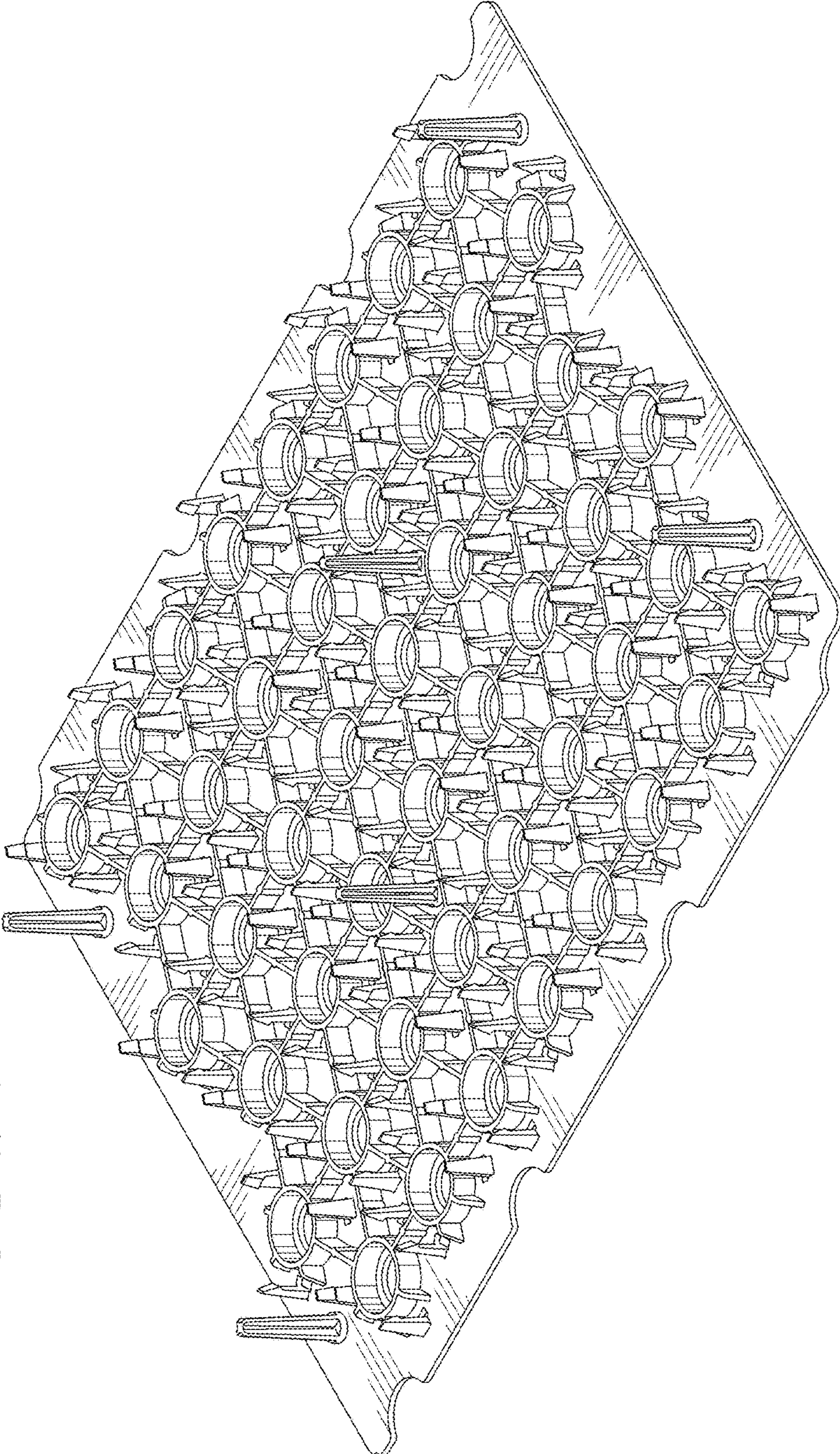


FIG. 7



FIG. 8

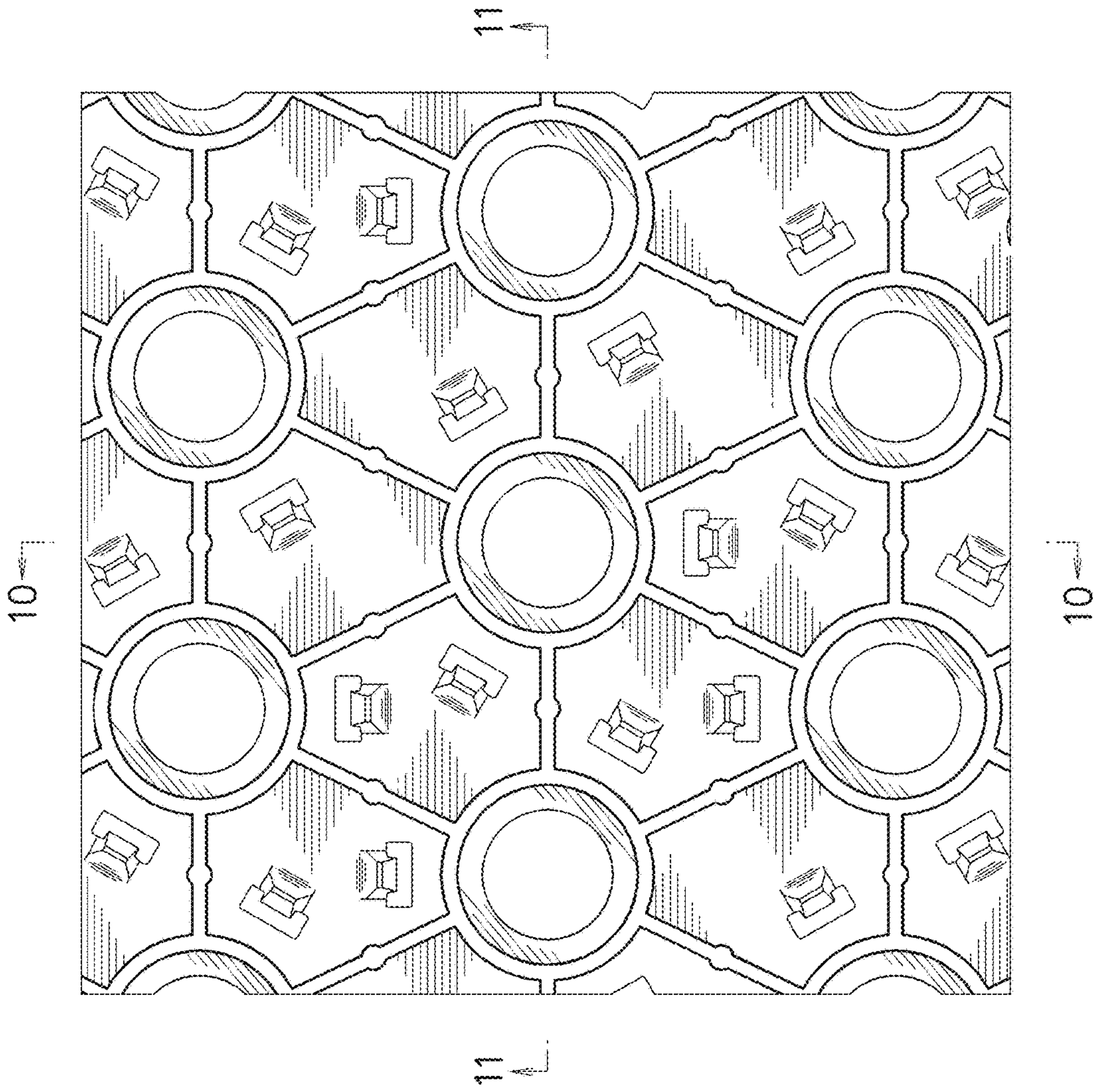
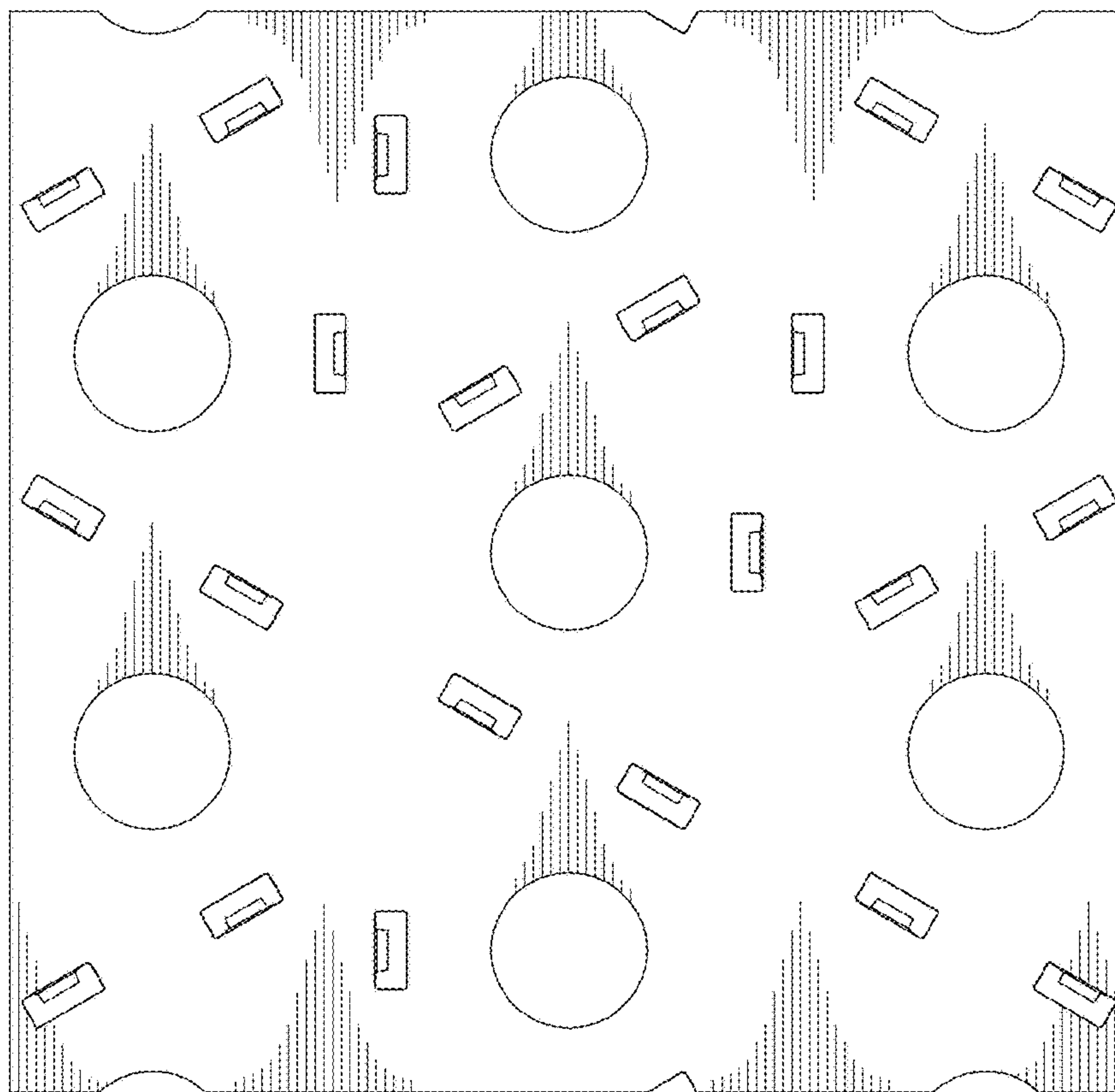


FIG. 9





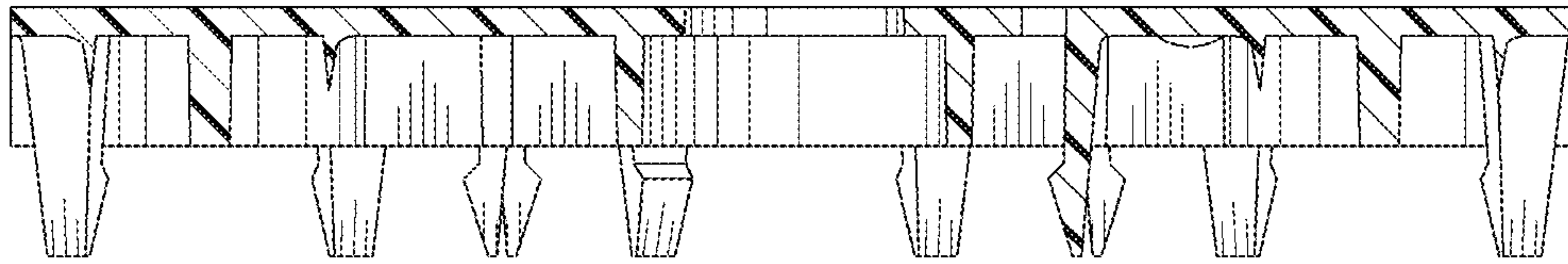


FIG. 10

FIG. 11

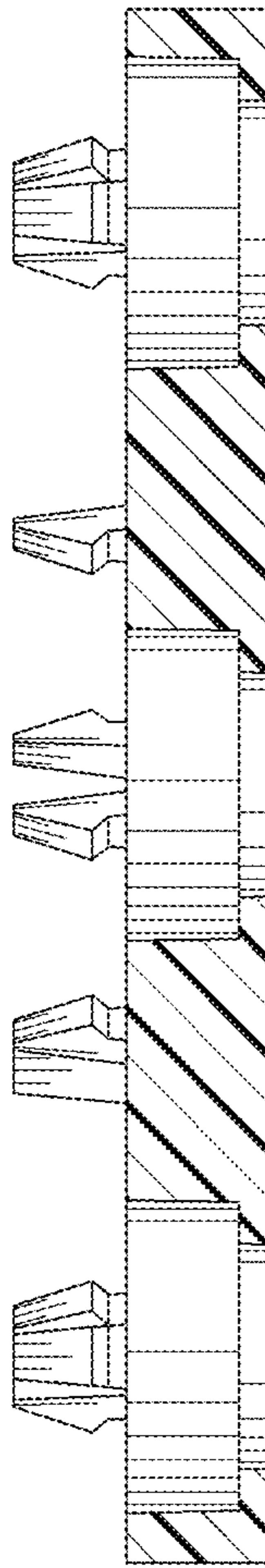
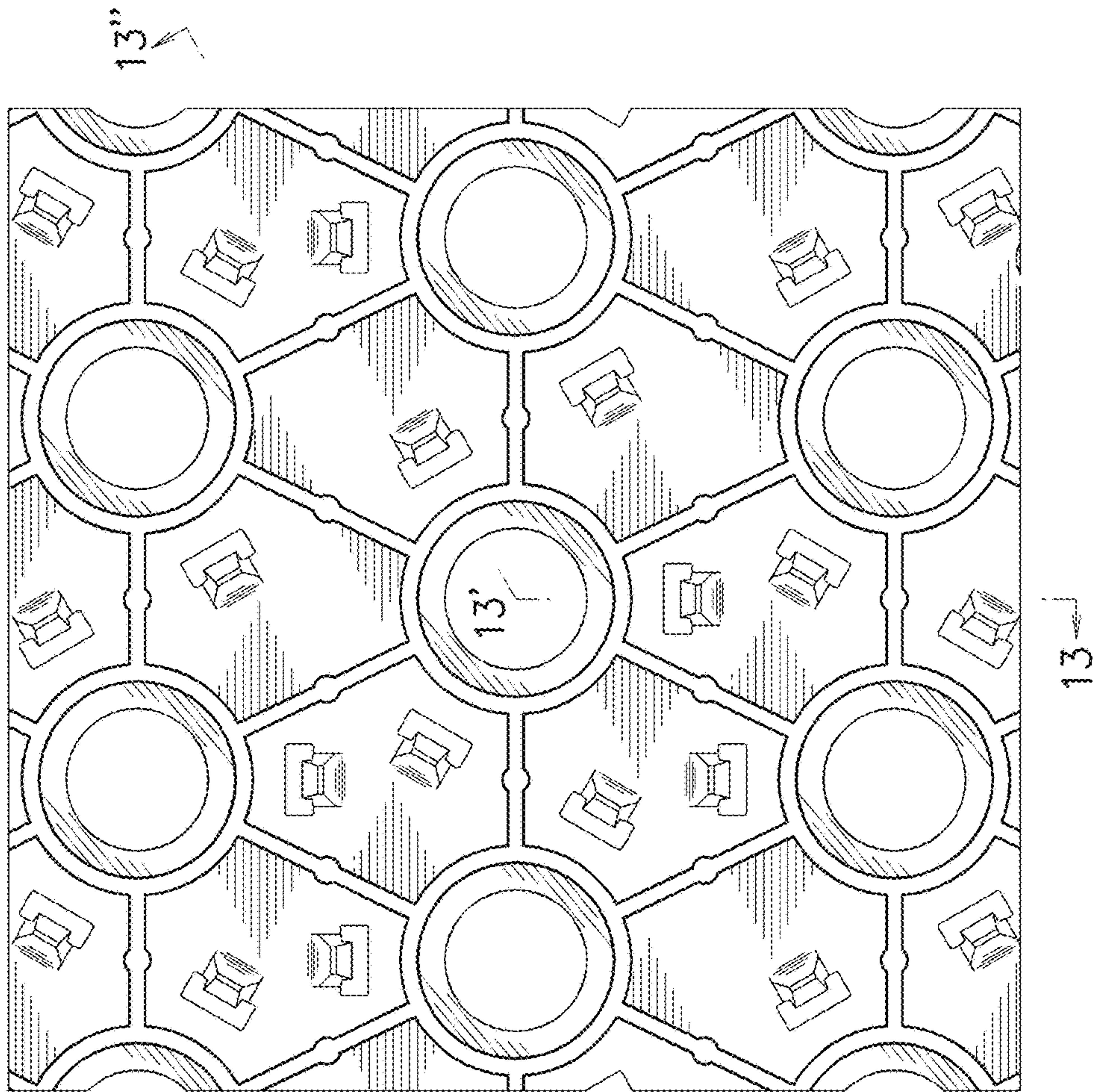


FIG. 12





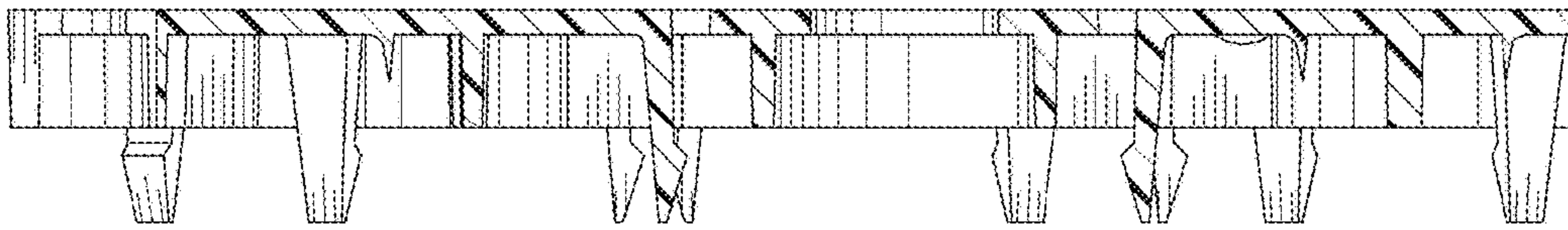


FIG. 13

FIG. 14

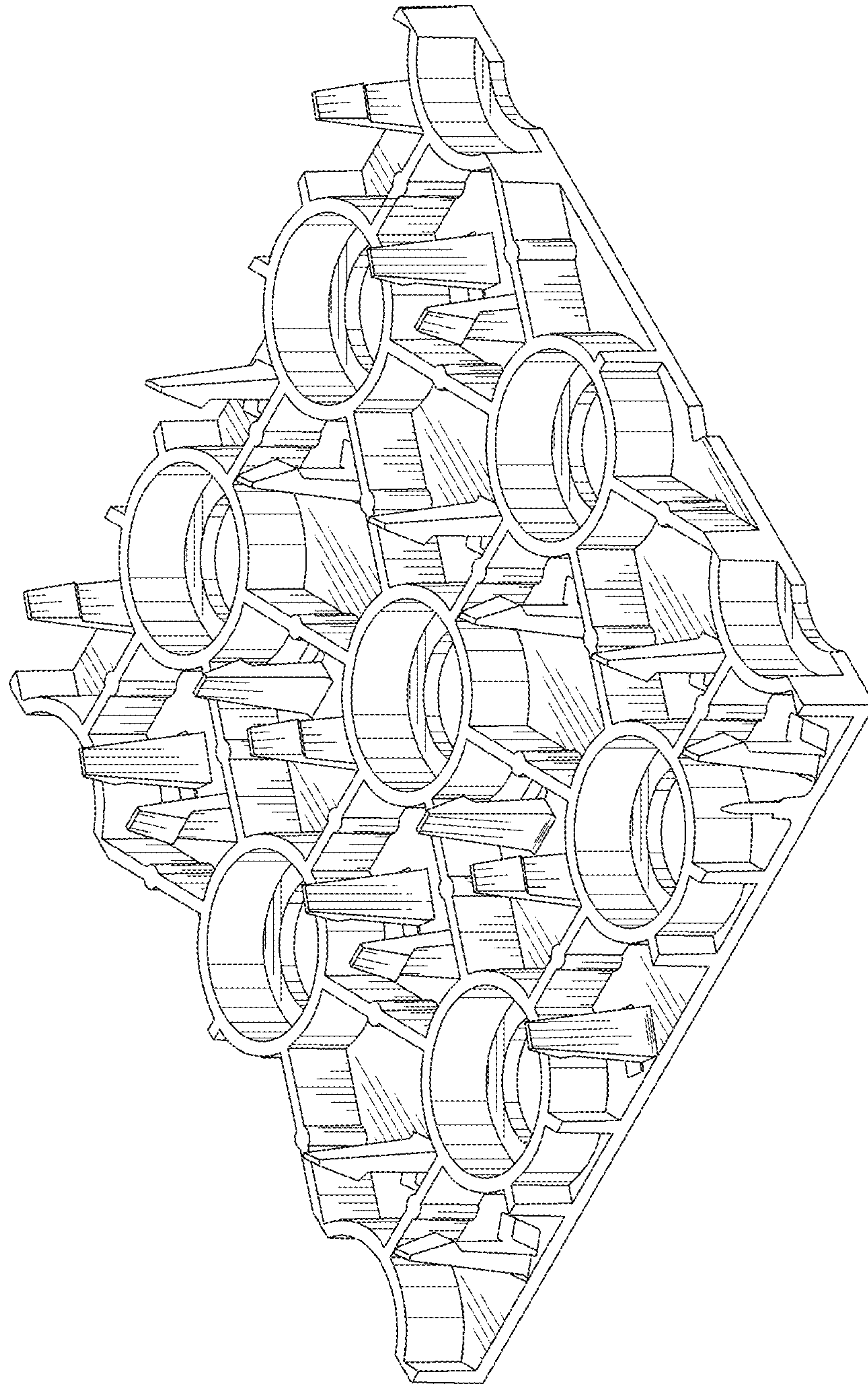
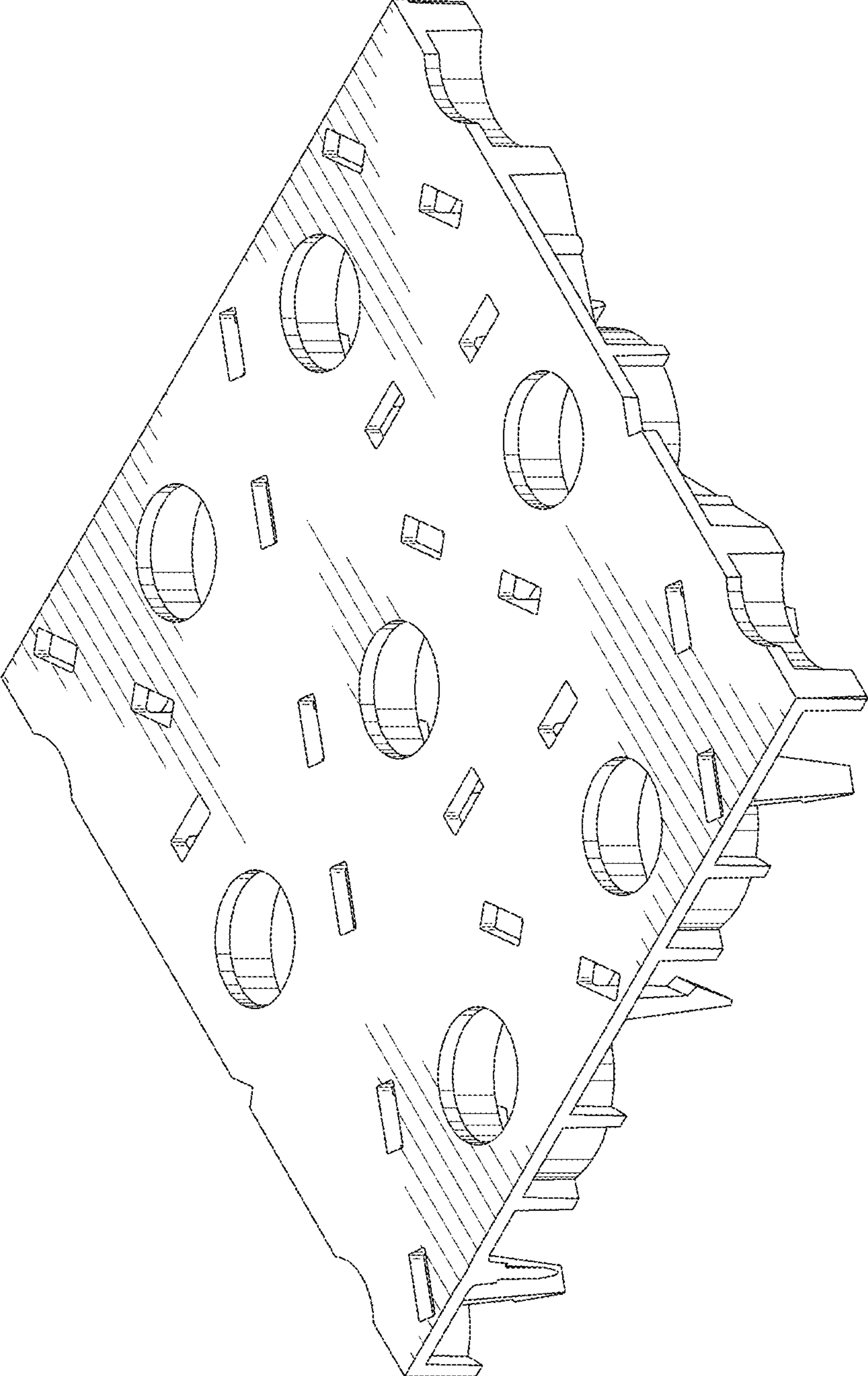


FIG. 15





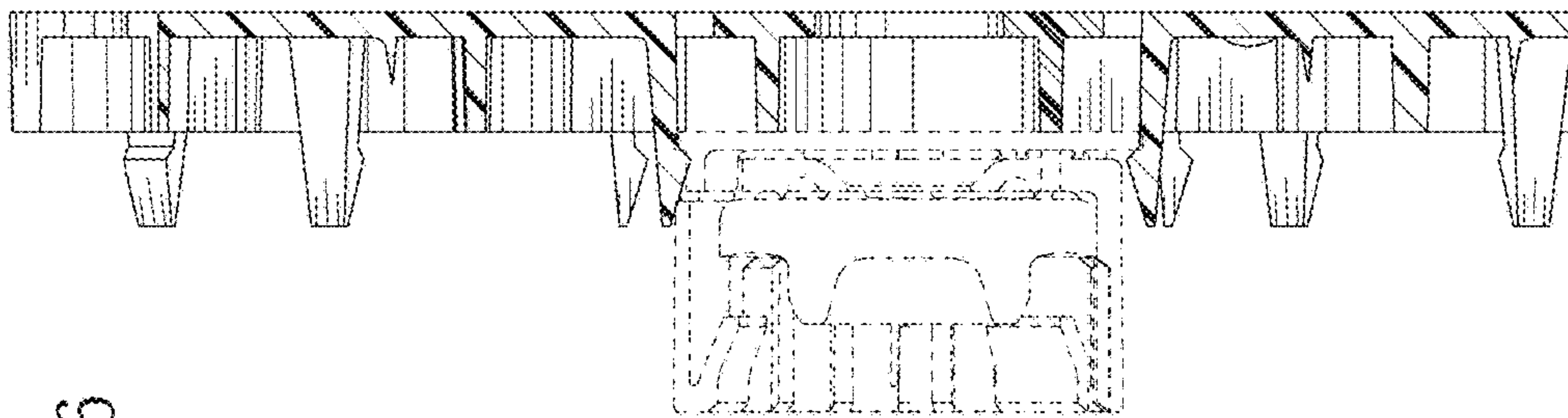


FIG. 16

FIG. 17

