



US00D808756S

(12) **United States Design Patent**  
**Hyma et al.**

(10) **Patent No.:** **US D808,756 S**  
(45) **Date of Patent:** **\*\* Jan. 30, 2018**

(54) **CUTTER**

(71) Applicant: **Milwaukee Electric Tool Corporation,**  
Milwaukee, WI (US)

(72) Inventors: **Steven W. Hyma,** Milwaukee, WI  
(US); **Matthew W. Naiva,** Wauwatosa,  
WI (US); **Derek Rose,** Brookfield, WI  
(US)

(73) Assignee: **MILWAUKEE ELECTRIC TOOL**  
**CORPORATION,** Brookfield, WI (US)

(\*\*) Term: **15 Years**

(21) Appl. No.: **29/539,528**

(22) Filed: **Sep. 15, 2015**

(51) **LOC (11) Cl.** ..... **08-03**

(52) **U.S. Cl.**  
USPC ..... **D8/60**

(58) **Field of Classification Search**  
USPC ..... D8/4, 5, 51-60

(Continued)

(56) **References Cited**

**U.S. PATENT DOCUMENTS**

1,393,156 A 10/1921 Nonneman  
2,697,875 A 12/1954 McIver

(Continued)

**FOREIGN PATENT DOCUMENTS**

WO 2002002264 1/2002

*Primary Examiner* — Deanna L Pratt

(74) *Attorney, Agent, or Firm* — Michael Best &  
Friedrich LLP

(57) **CLAIM**

We claim the ornamental design for a cutter, as shown and  
described.

**DESCRIPTION**

FIG. 1 is a view of one side of a cutter.

FIG. 2 is a view of the other side the cutter of FIG. 1.

FIG. 3 is a front view of the cutter of FIG. 1.

FIG. 4 is a rear view of the cutter of FIG. 1.

FIG. 5 is a bottom view of the cutter of FIG. 1.

FIG. 6 is a top view of the cutter of FIG. 1.

FIG. 7 is a front bottom perspective view of the cutter of  
FIG. 1.

FIG. 8 is a front top perspective view of the cutter of FIG.  
1.

FIG. 9 is a rear top perspective view of the cutter of FIG. 1.

FIG. 10 is a rear bottom perspective view of the cutter FIG.  
1.

FIG. 11 is a front perspective view of the cutter of FIG. 1.

FIG. 12 is a rear perspective view of the cutter of FIG. 1.

FIG. 13 is a top perspective view of the cutter of FIG. 1.

FIG. 14 is a bottom perspective view of the cutter of FIG. 1.

FIG. 15 is a view of one side of an alternative construction  
of a cutter.

FIG. 16 is a view of the other side the cutter of FIG. 15.

FIG. 17 is a front view of the cutter of FIG. 15.

FIG. 18 is a rear view of the cutter of FIG. 15.

FIG. 19 is a bottom view of the cutter of FIG. 15.

FIG. 20 is a top view of the cutter of FIG. 15.

FIG. 21 is a front bottom perspective view of the cutter of  
FIG. 15.

FIG. 22 is a front top perspective view of the cutter of FIG.  
15.

FIG. 23 is a rear top perspective view of the cutter of FIG.  
15.

FIG. 24 is a rear bottom perspective view of the cutter FIG.  
15.

FIG. 25 is a front perspective view of the cutter of FIG. 15.

FIG. 26 is a rear perspective view of the cutter of FIG. 15.

FIG. 27 is a top perspective view of the cutter of FIG. 15.

FIG. 28 is a bottom perspective view of the cutter of FIG. 15.

FIG. 29 is a view of one side of another alternative con-  
struction of a cutter.

FIG. 30 is a view of the other side the cutter of FIG. 29.

FIG. 31 is a front view of the cutter of FIG. 29.

FIG. 32 is a rear view of the cutter of FIG. 29.

FIG. 33 is a bottom view of the cutter of FIG. 29.

FIG. 34 is a top view of the cutter of FIG. 29.

FIG. 35 is a front bottom perspective view of the cutter of  
FIG. 29.

(Continued)

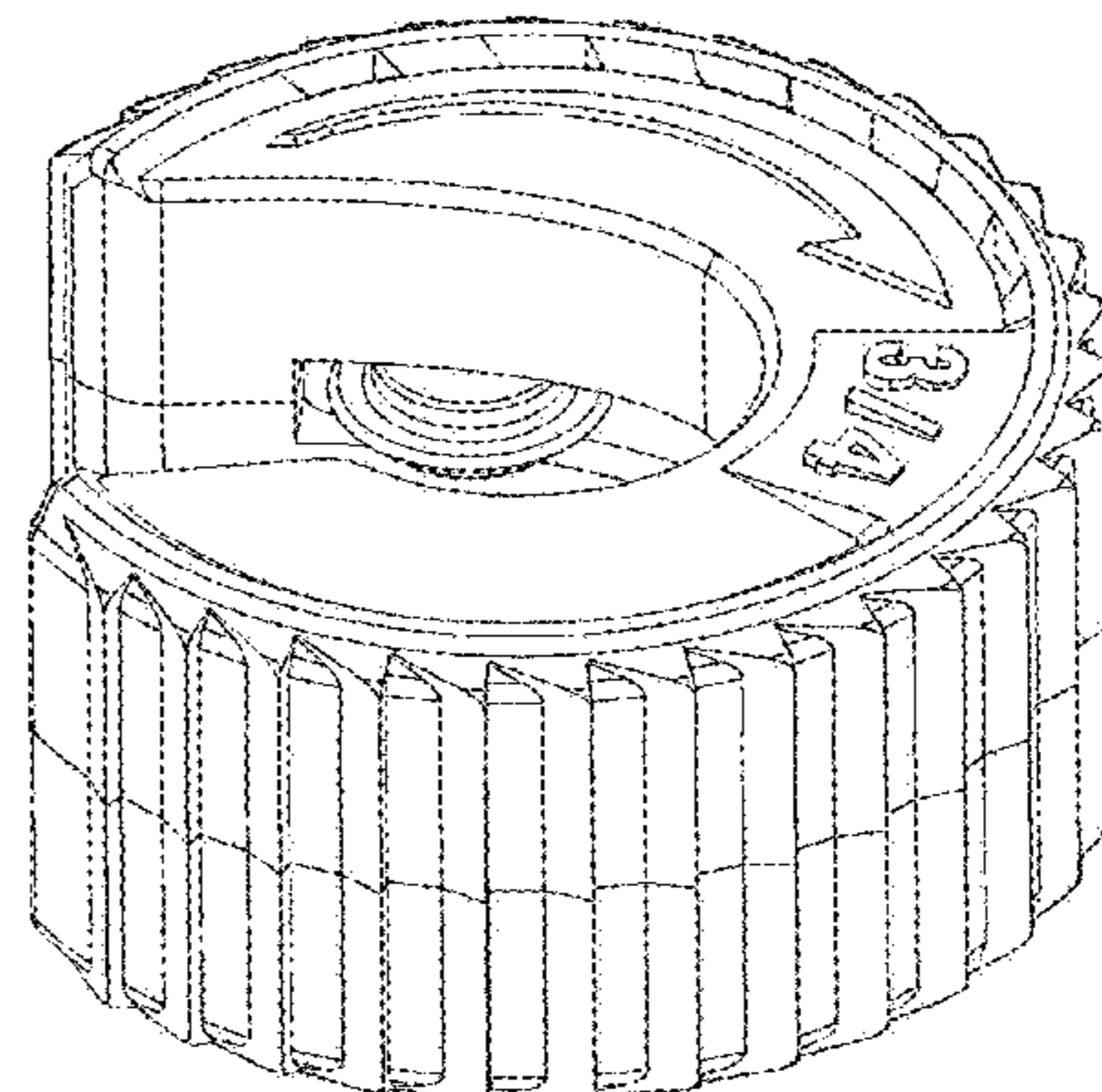
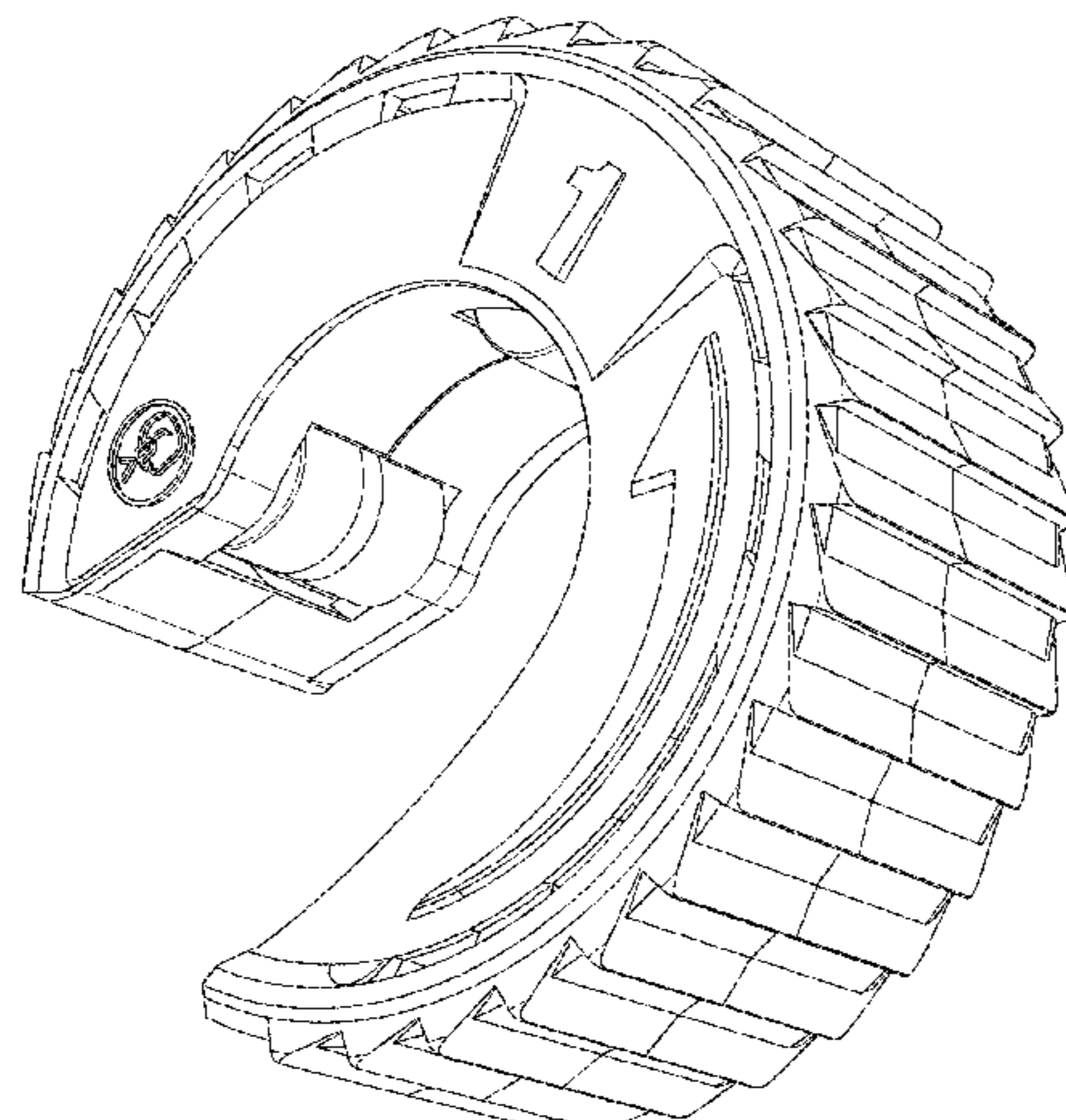


FIG. 36 is a front top perspective view of the cutter of FIG. 29.  
 FIG. 37 is a rear top perspective view of the cutter of FIG. 29.  
 FIG. 38 is a rear bottom perspective view of the cutter FIG. 29.  
 FIG. 39 is a front perspective view of the cutter of FIG. 29.  
 FIG. 40 is a rear perspective view of the cutter of FIG. 29.  
 FIG. 41 is a top perspective view of the cutter of FIG. 29; and,  
 FIG. 42 is a bottom perspective view of the cutter of FIG. 29.  
 Portions of a cutter shown in broken lines are included for the purpose of illustrating environment and form no part of the claimed design.

**1 Claim, 42 Drawing Sheets**

(58) **Field of Classification Search**  
 CPC ..... B23D 21/04; B23D 21/06; B23D 21/08;  
                   B26D 3/16; B26D 3/169  
 See application file for complete search history.

(56)

**References Cited**

U.S. PATENT DOCUMENTS

2,796,663	A	6/1957	Karnes	
2,956,339	A	10/1960	Jonasson	
3,347,118	A	10/1967	Gore et al.	
4,493,150	A	1/1985	Garcia et al.	
4,831,732	A	5/1989	Garton	
5,285,576	A	2/1994	Taylor	
5,903,980	A	5/1999	Collier et al.	
D464,244	S *	10/2002	Lira-Nunez .....	D8/51
D556,528	S *	12/2007	Huang .....	D8/60
7,743,510	B2	6/2010	Lazarevic	
D640,520	S *	6/2011	Rampling .....	D8/60
8,573,099	B2	11/2013	Huang	
8,601,697	B2	12/2013	Whittaker	
8,800,151	B2	8/2014	Lee	
2006/0085987	A1	4/2006	Gordon	
2007/0180701	A1	8/2007	Hutt	
2011/0179649	A1	7/2011	Park	
2012/0023752	A1	2/2012	Rampling et al.	

\* cited by examiner

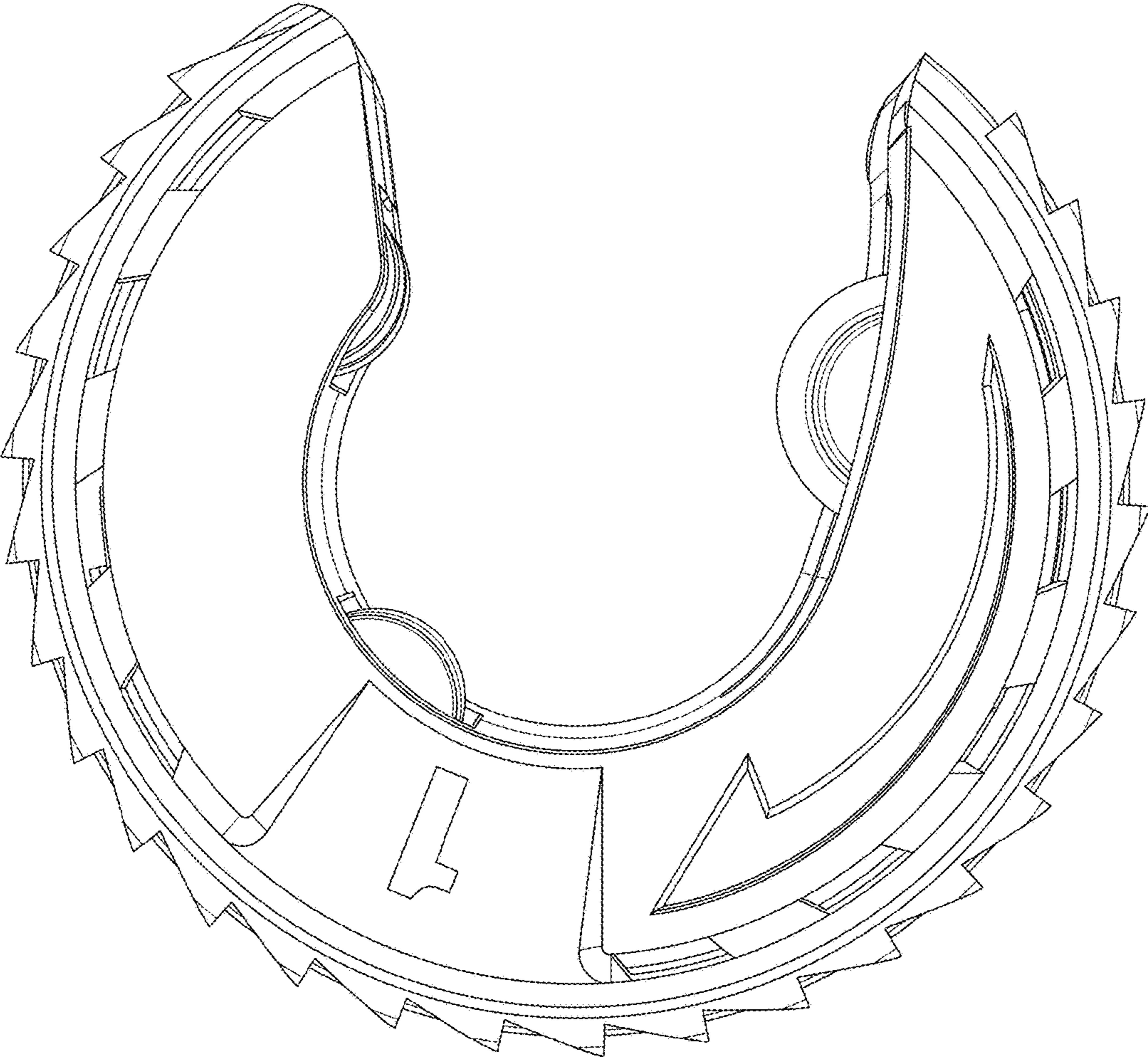


FIG. 1

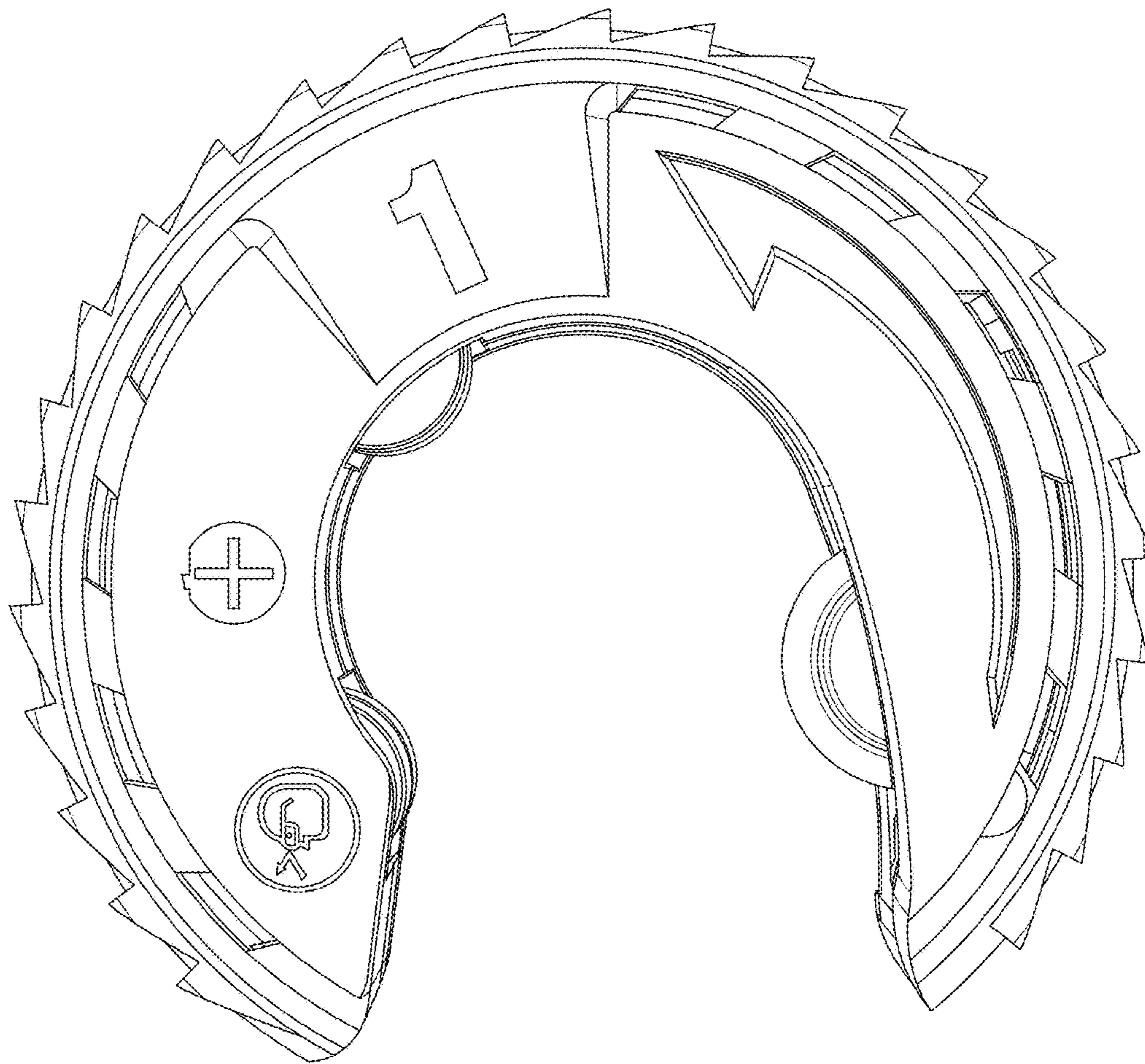


FIG. 2

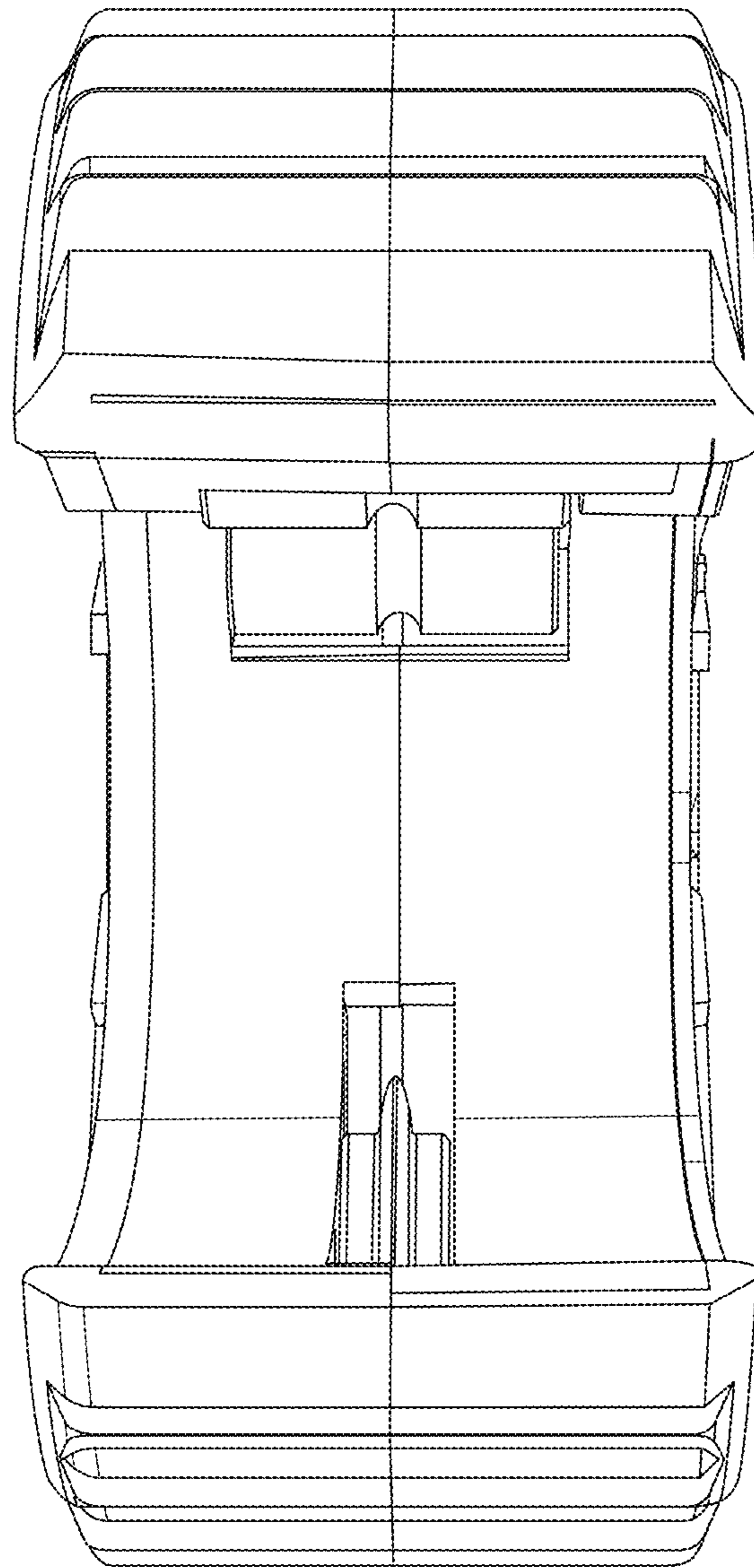


FIG. 3

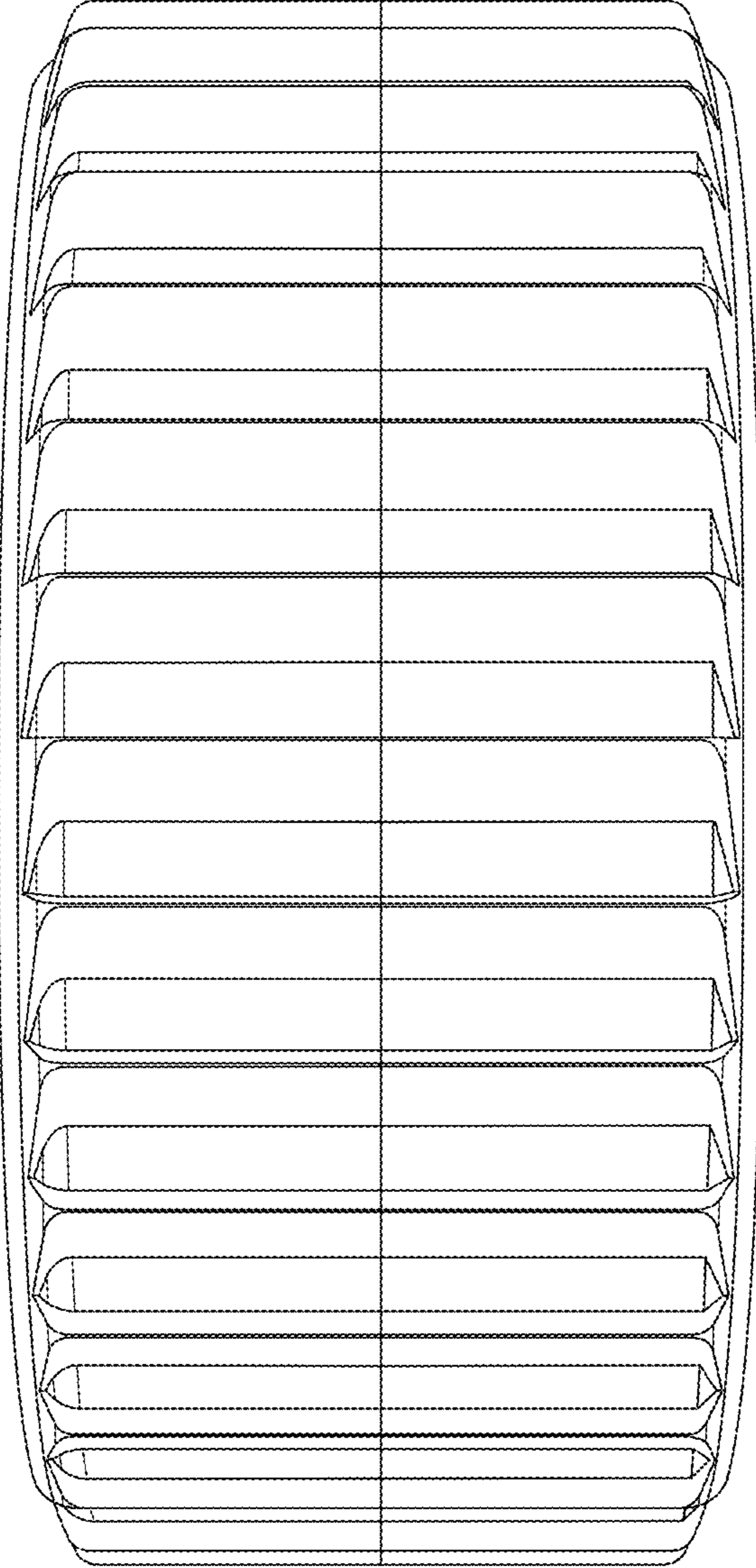


FIG. 4

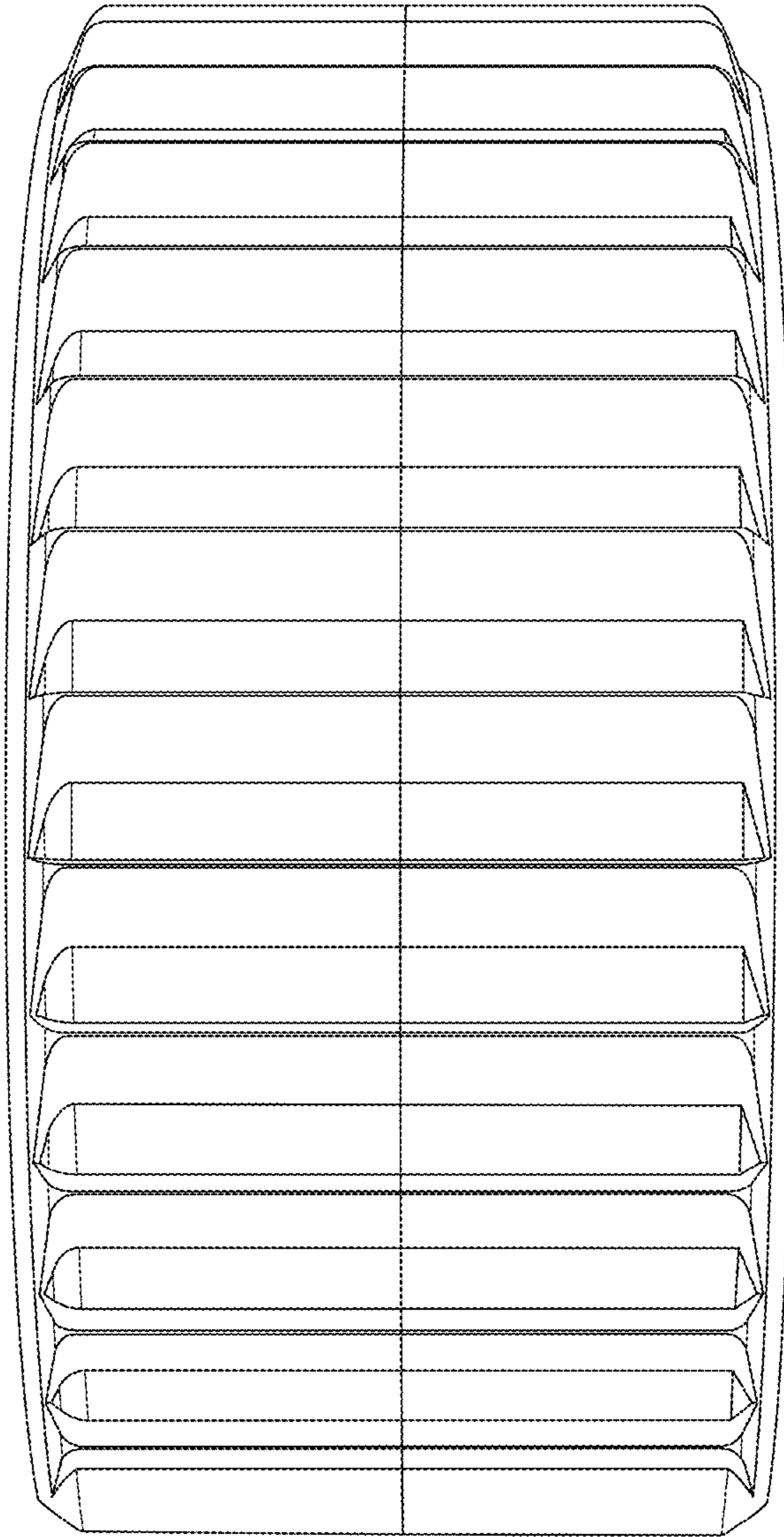


FIG. 5

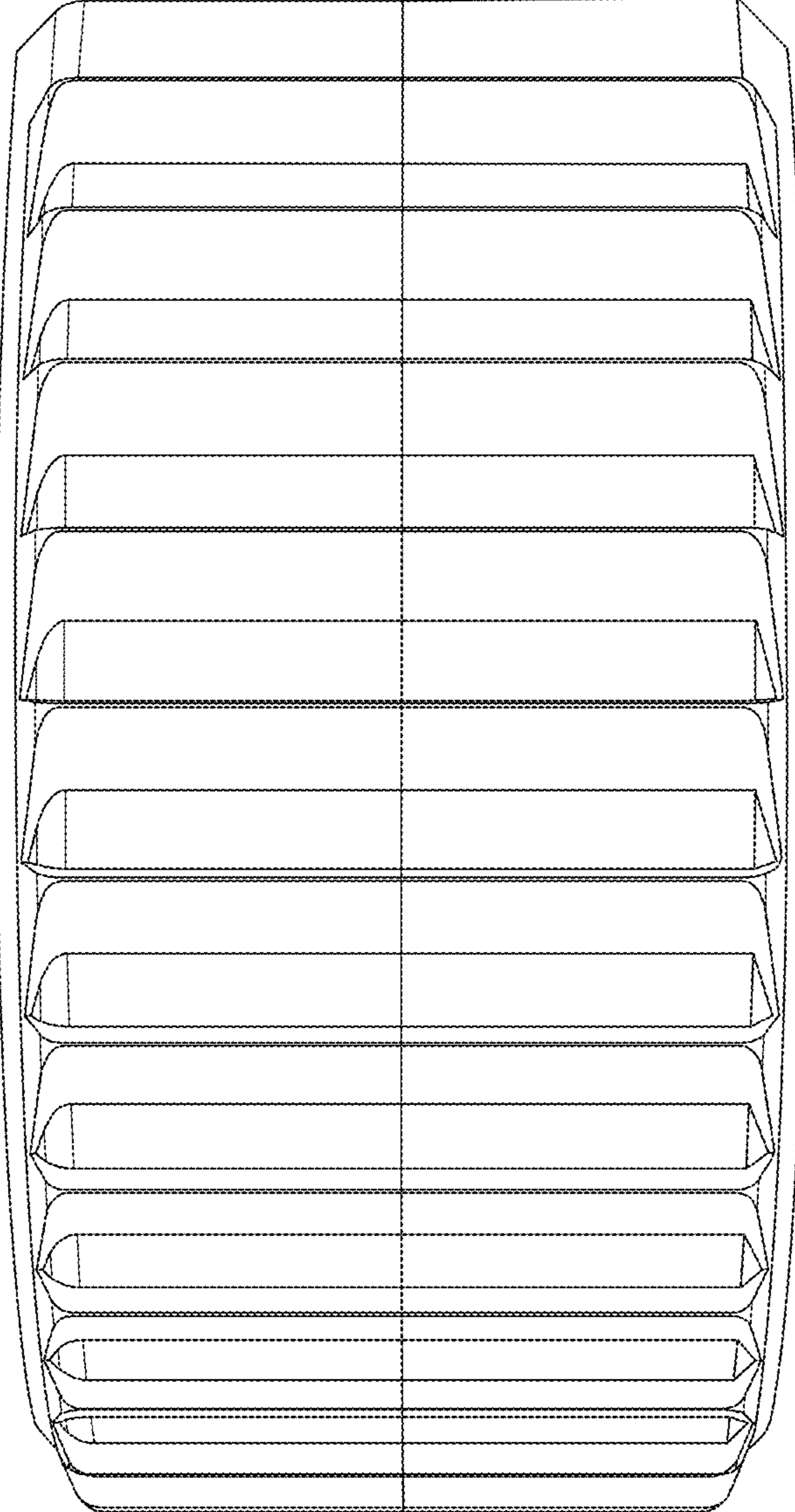


FIG. 6



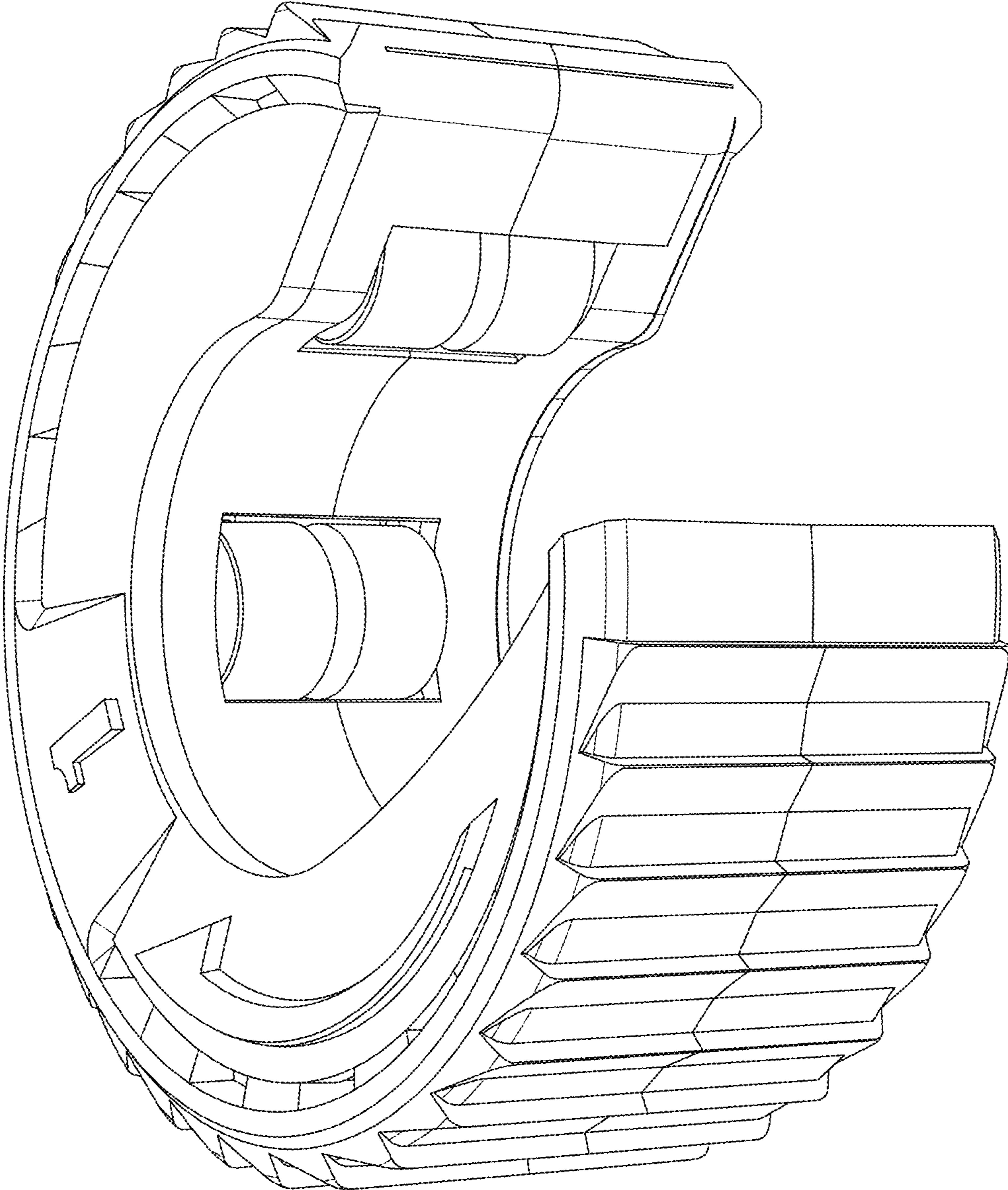


FIG. 7

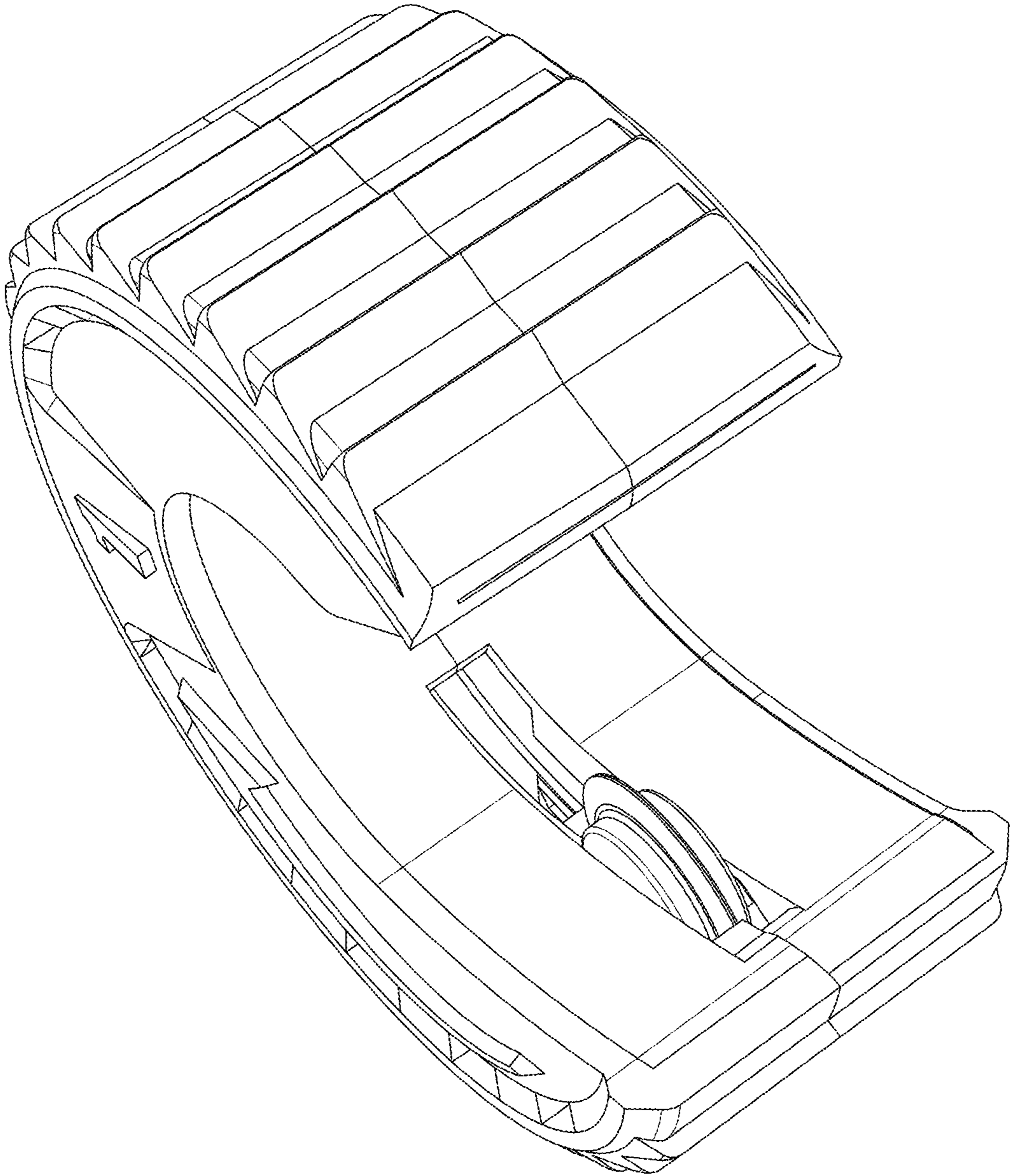


FIG. 8

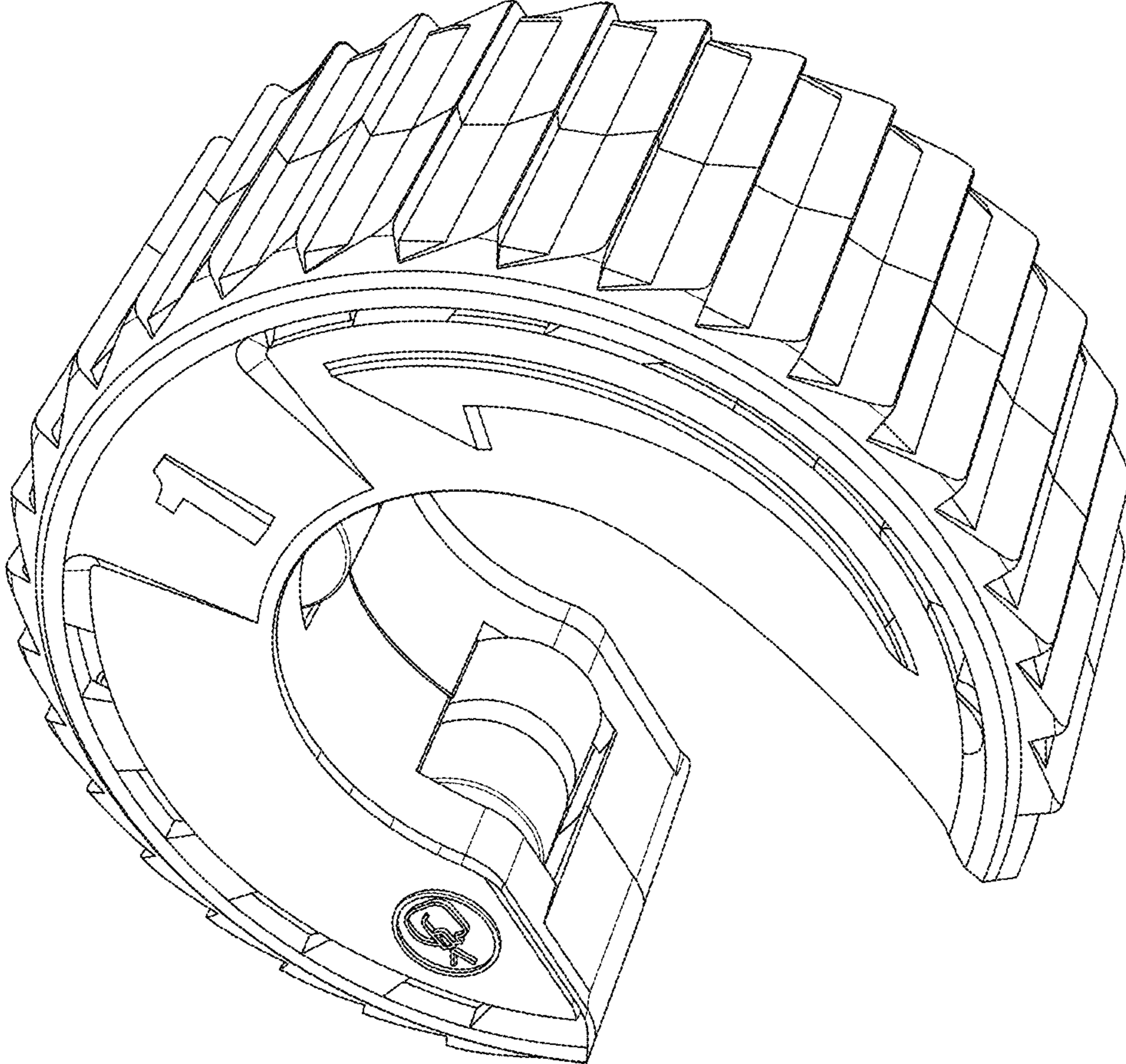


FIG. 9

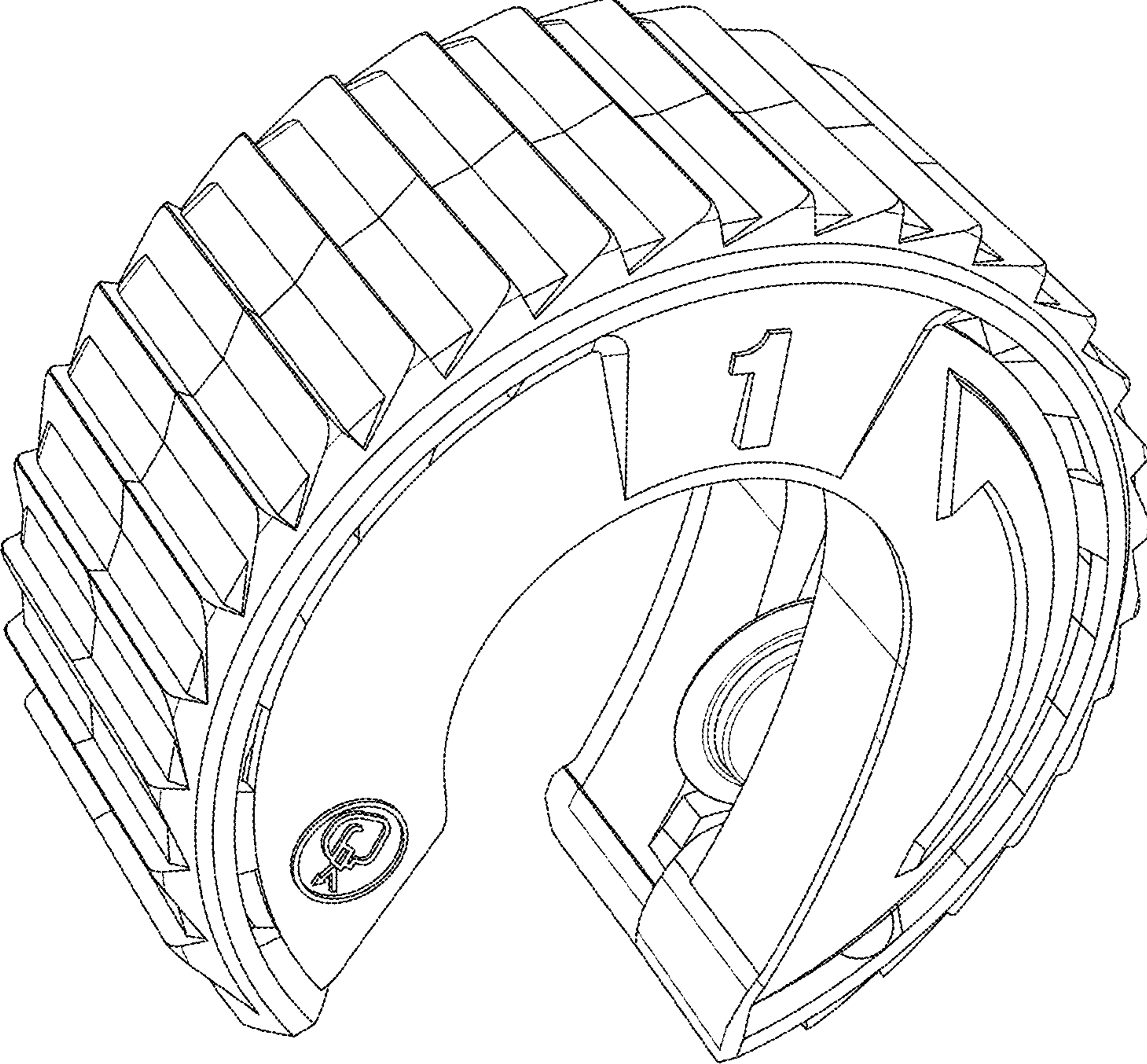


FIG. 10

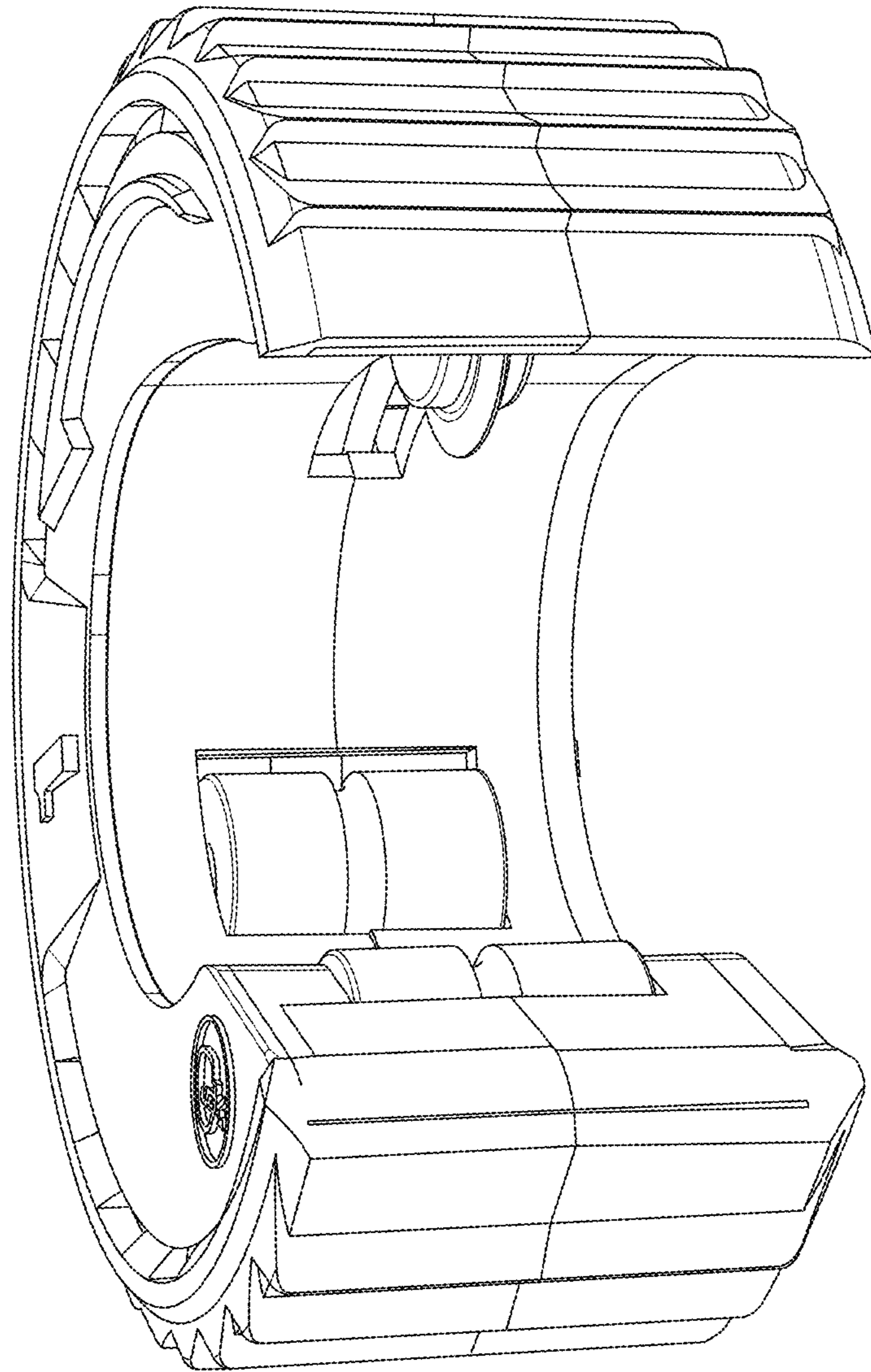


FIG. 11

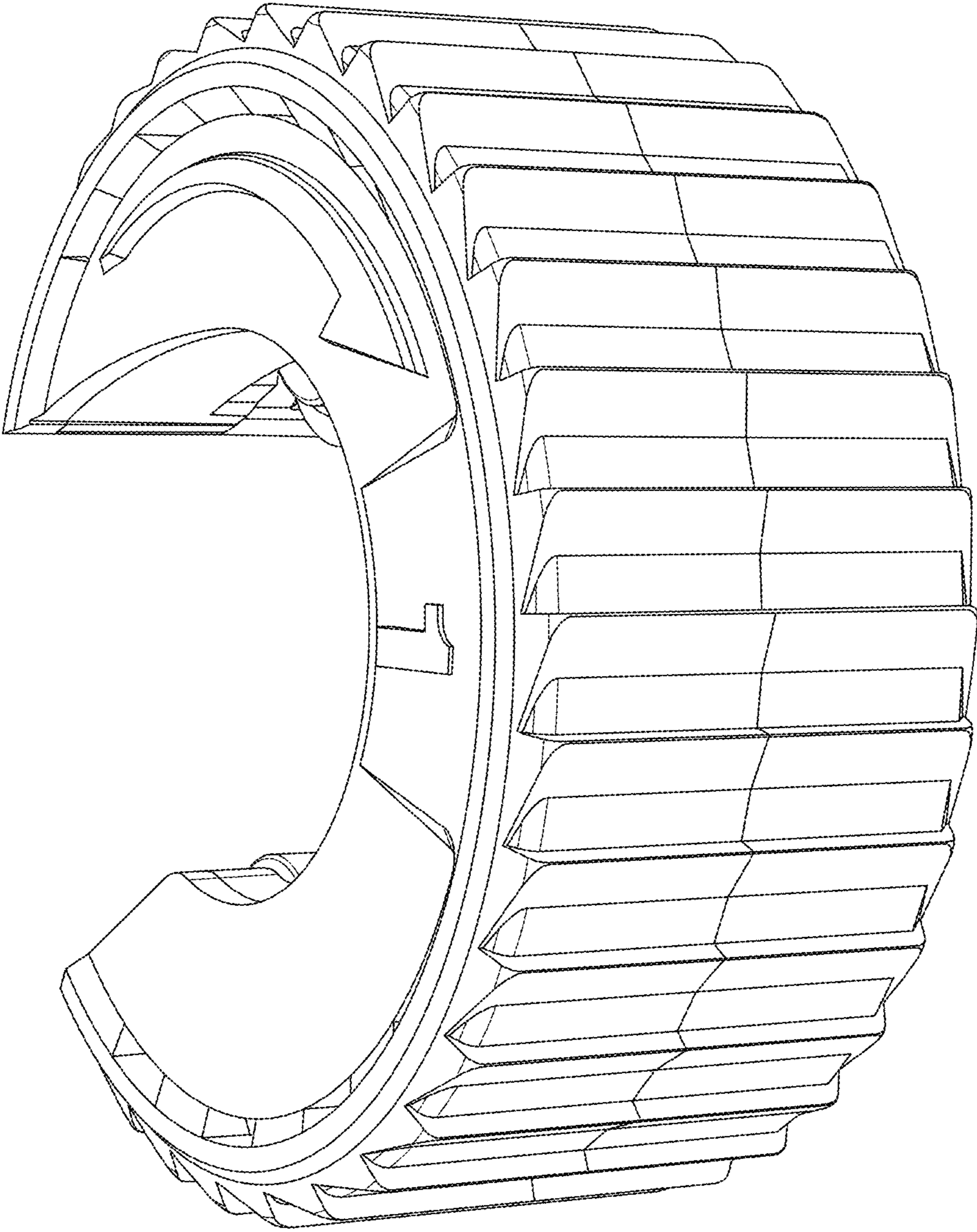


FIG. 12

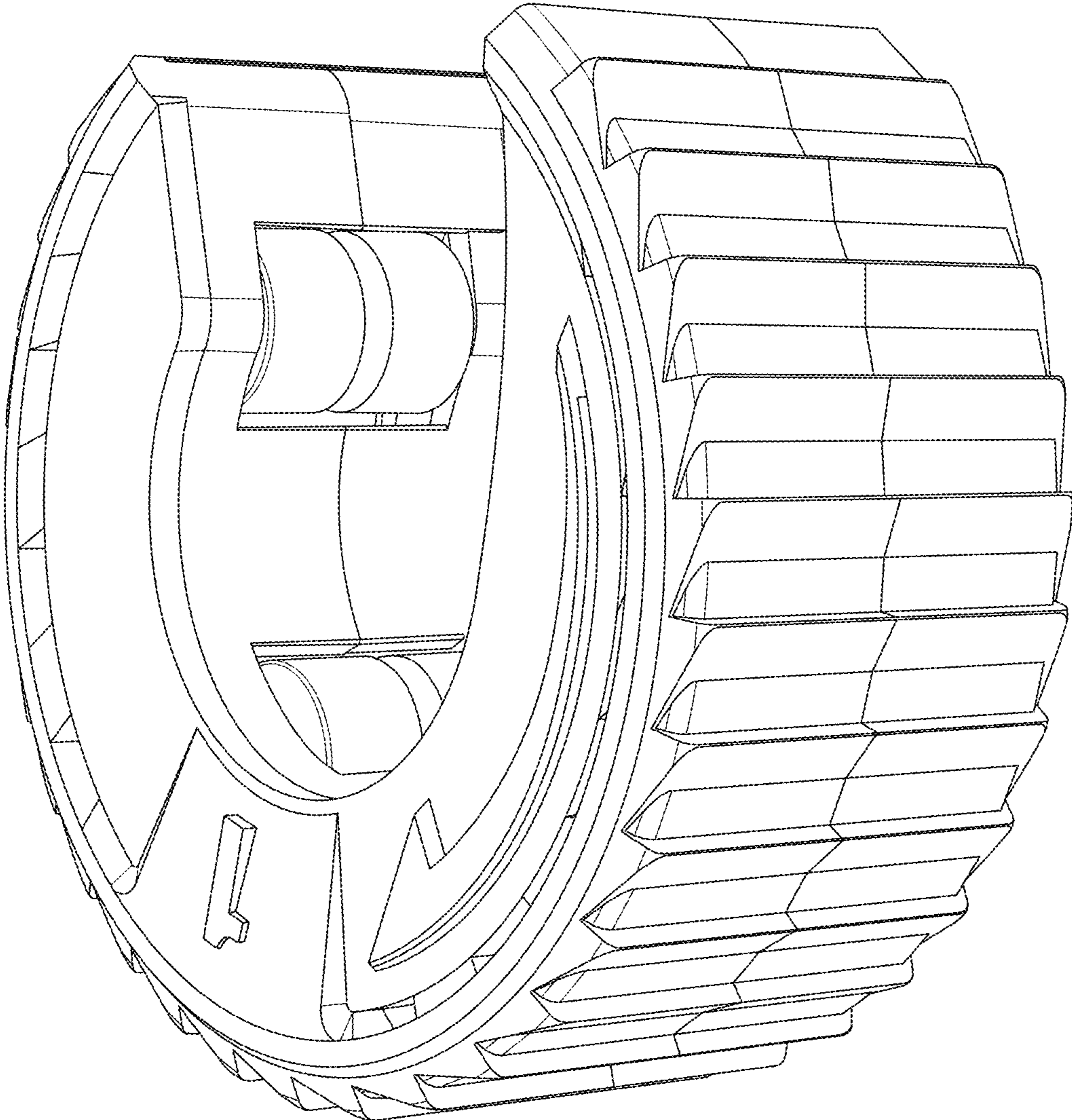


FIG. 13

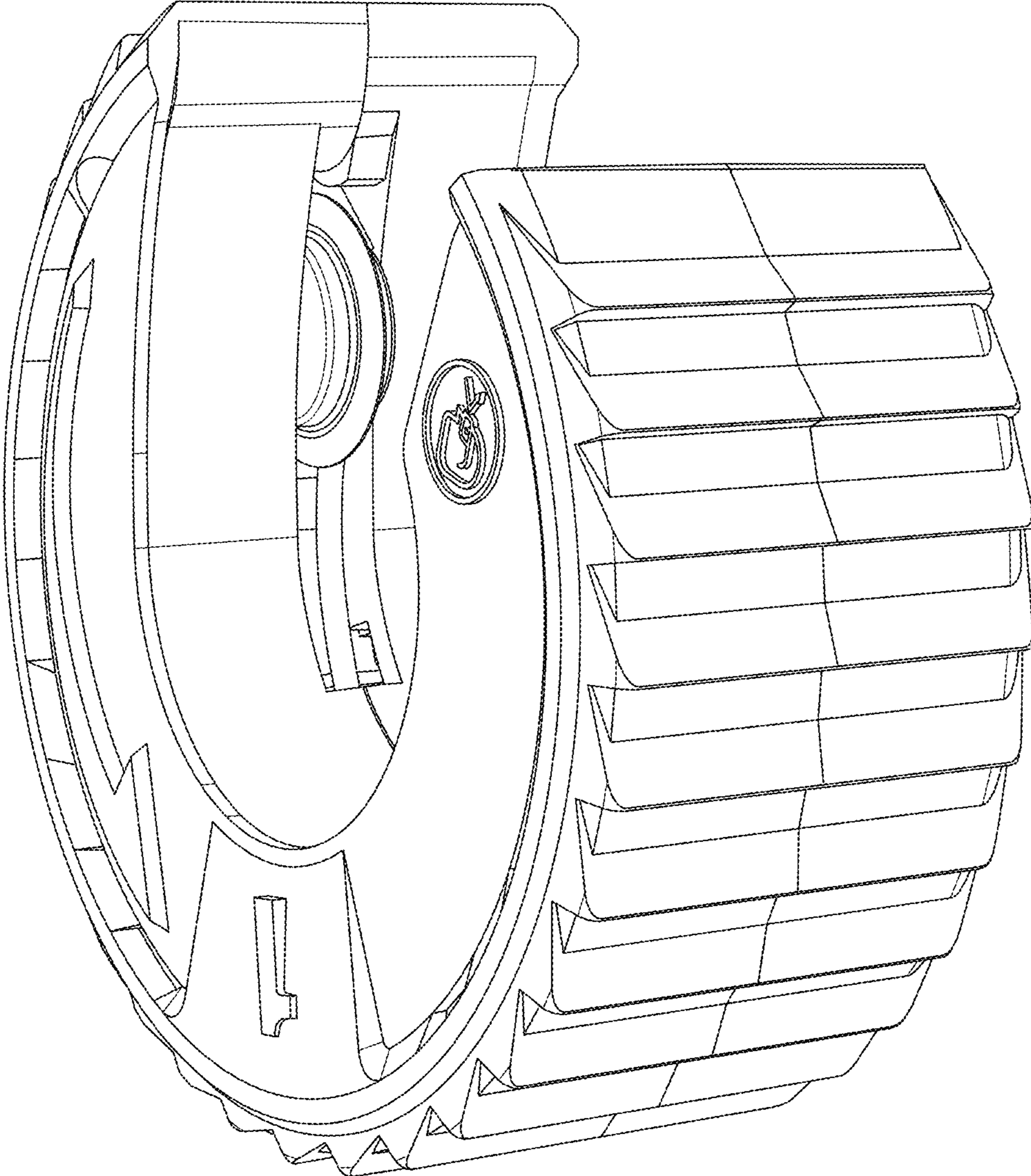


FIG. 14



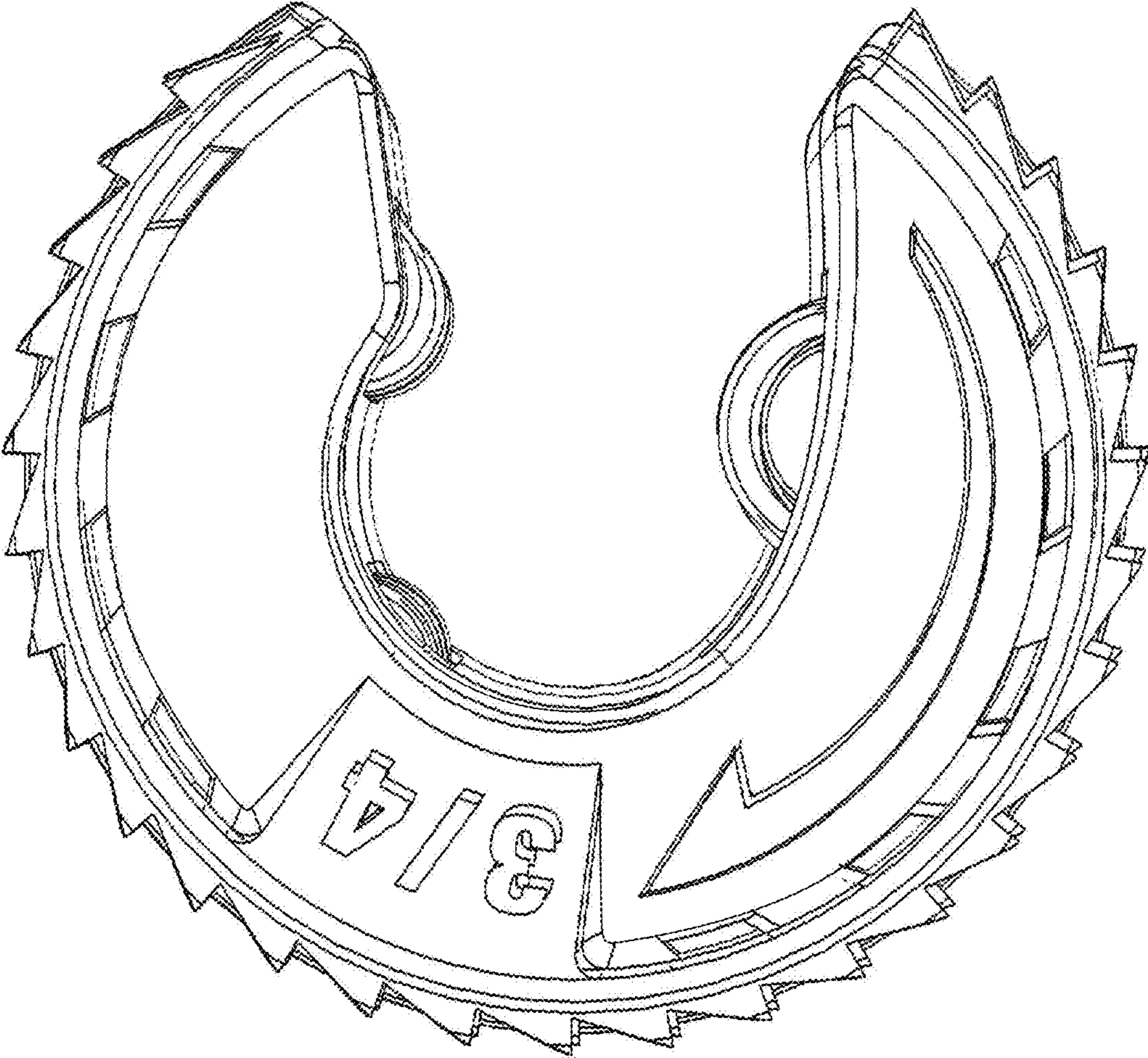


Fig. 15

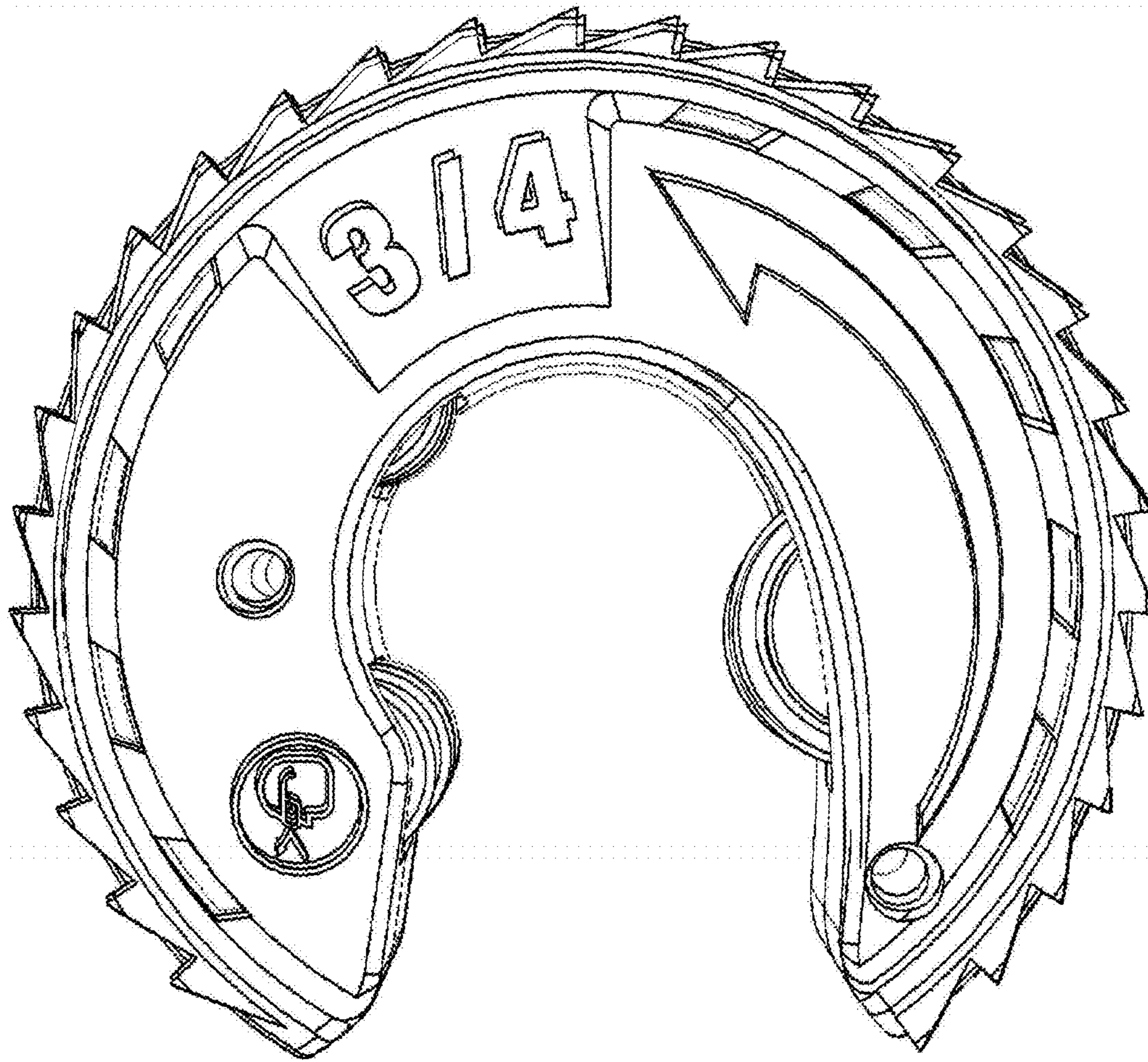


Fig. 16

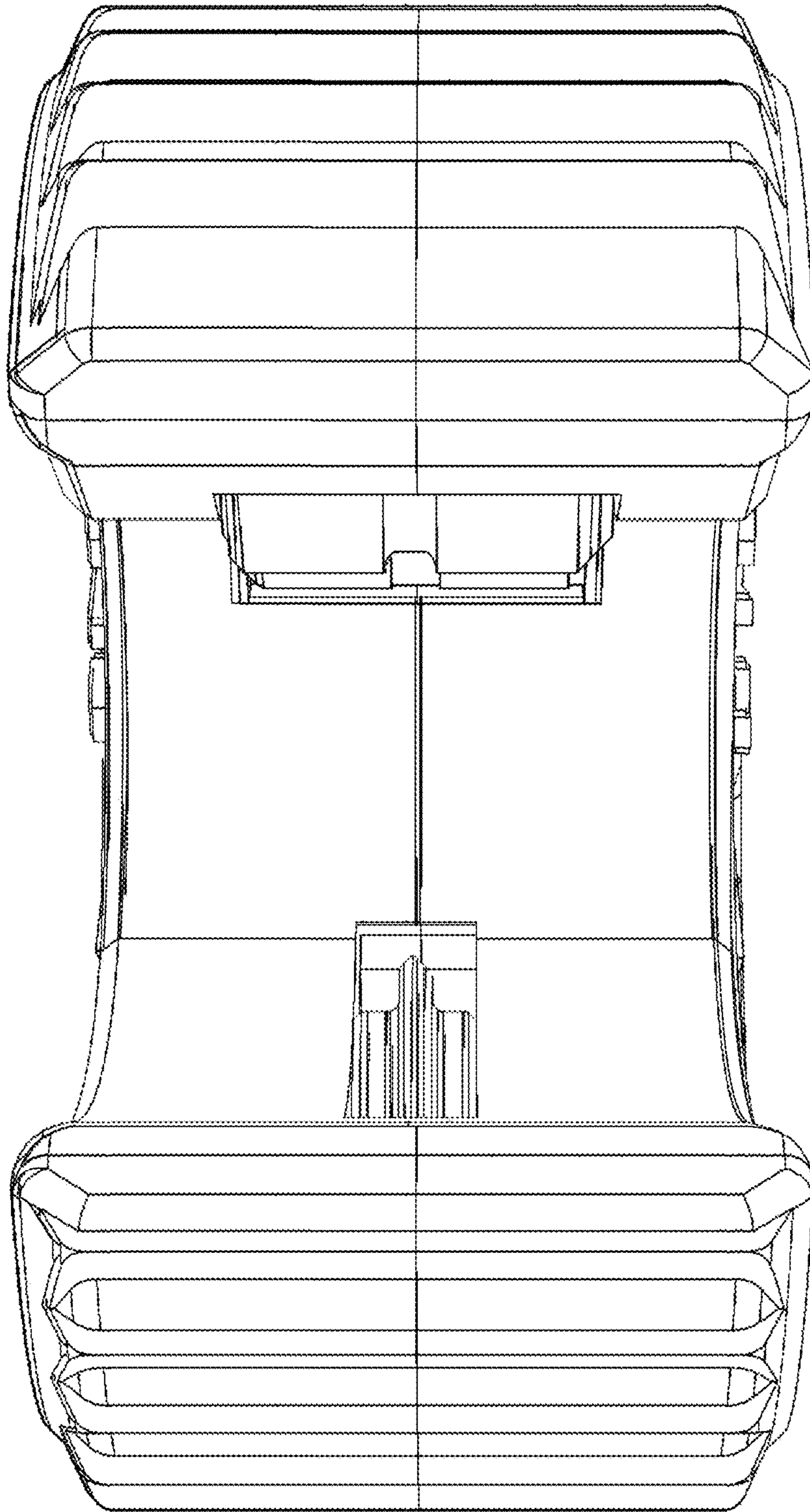


Fig. 17

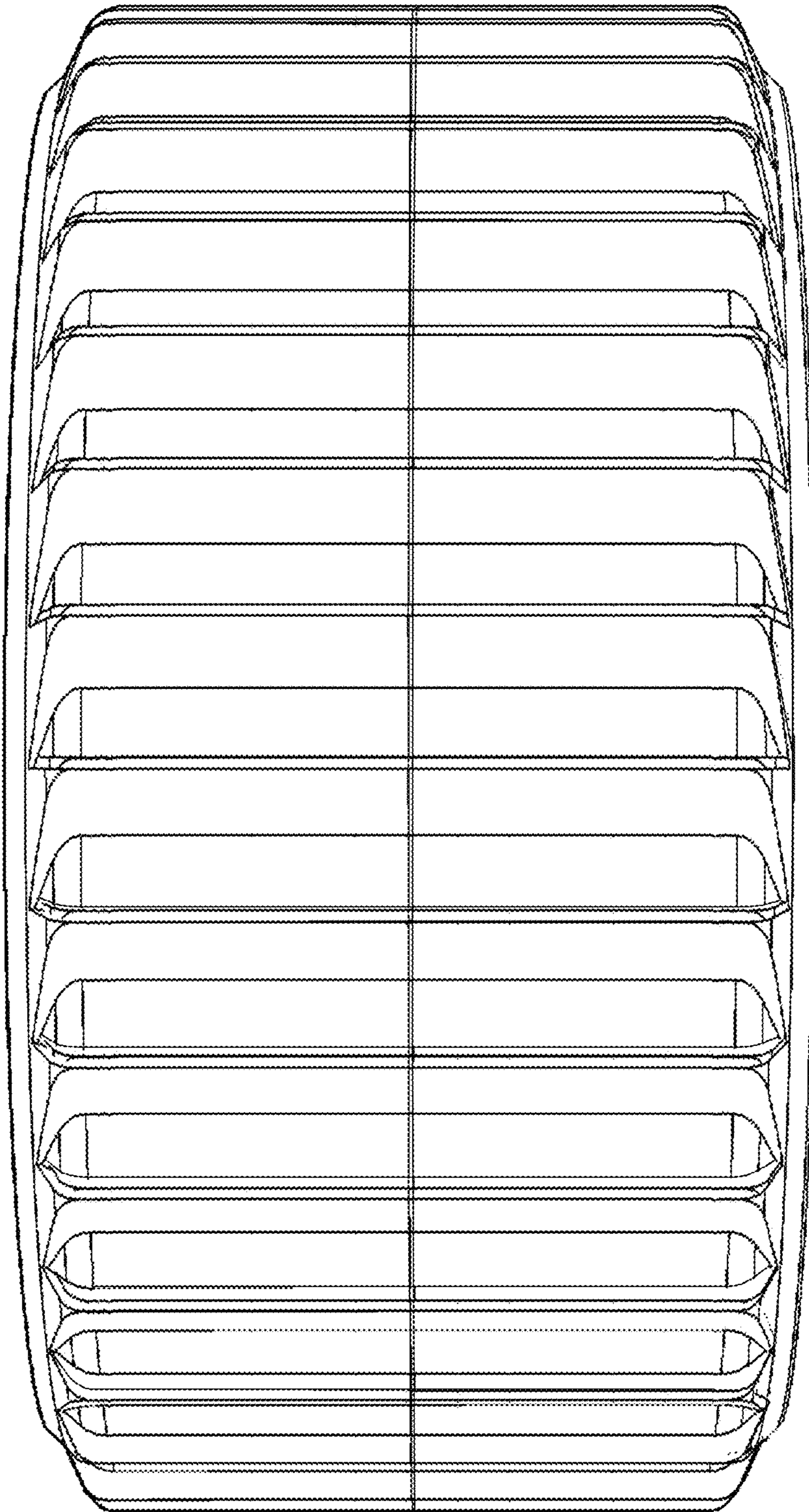


Fig. 18

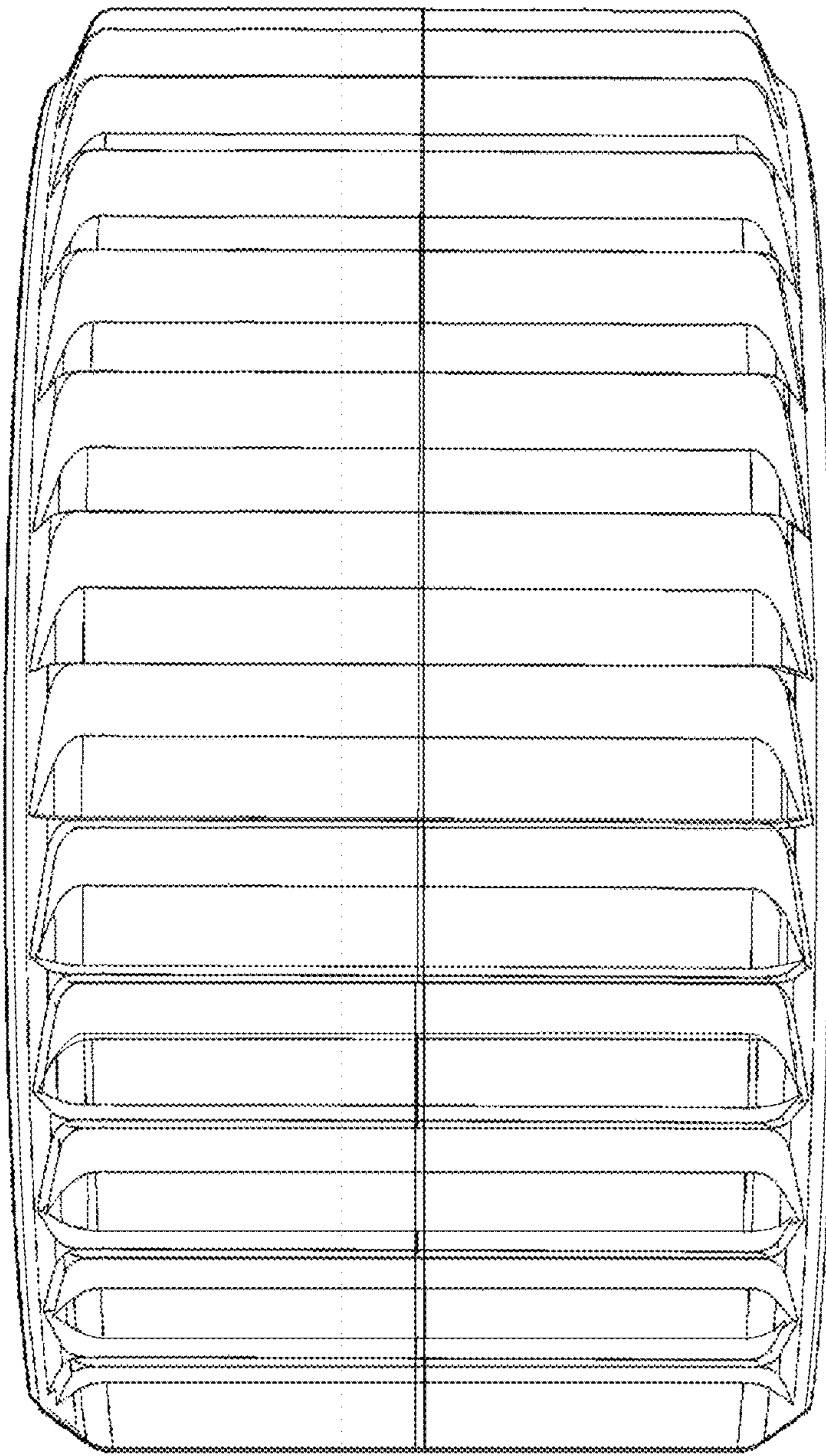


Fig. 19

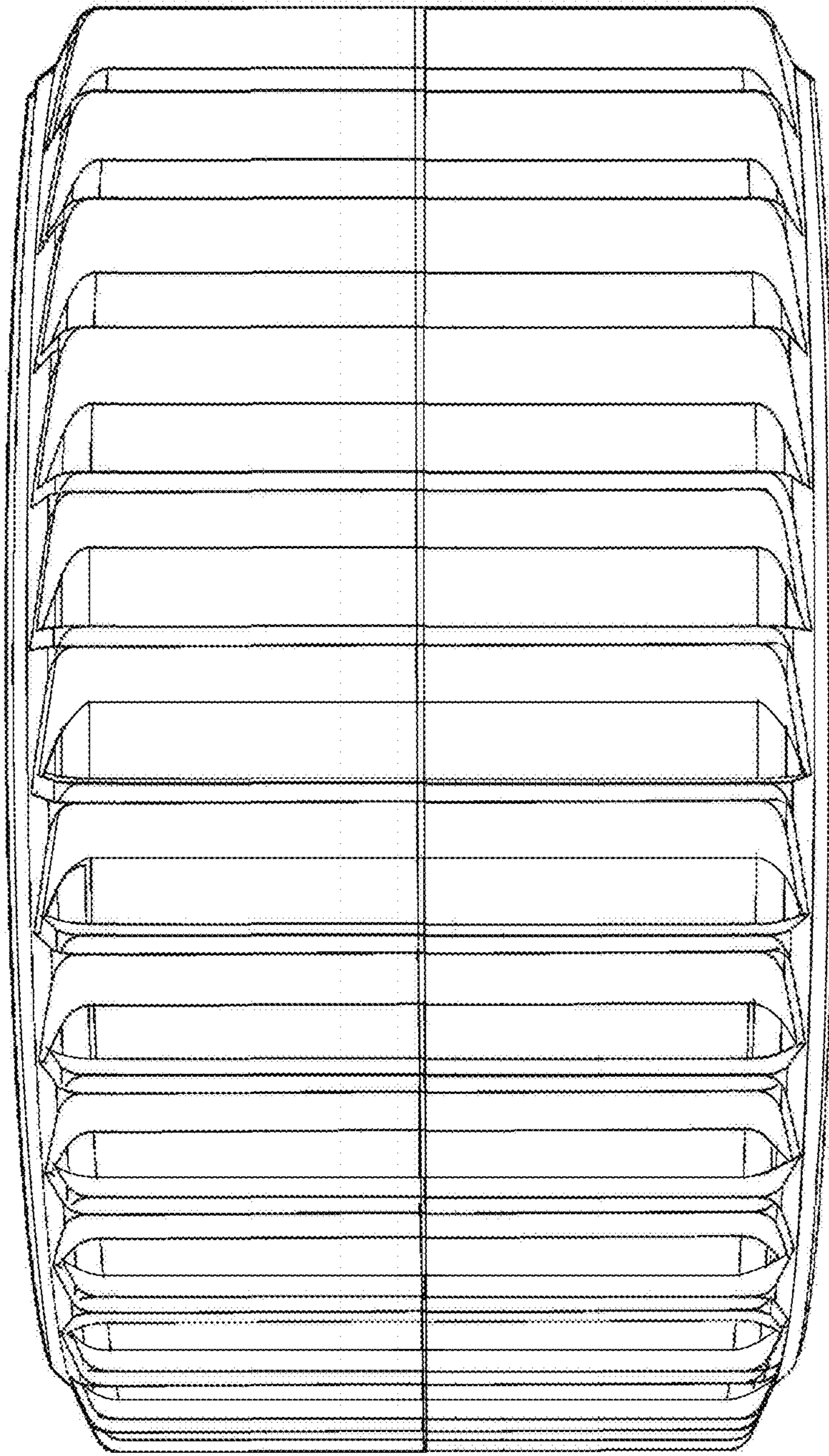


Fig. 20

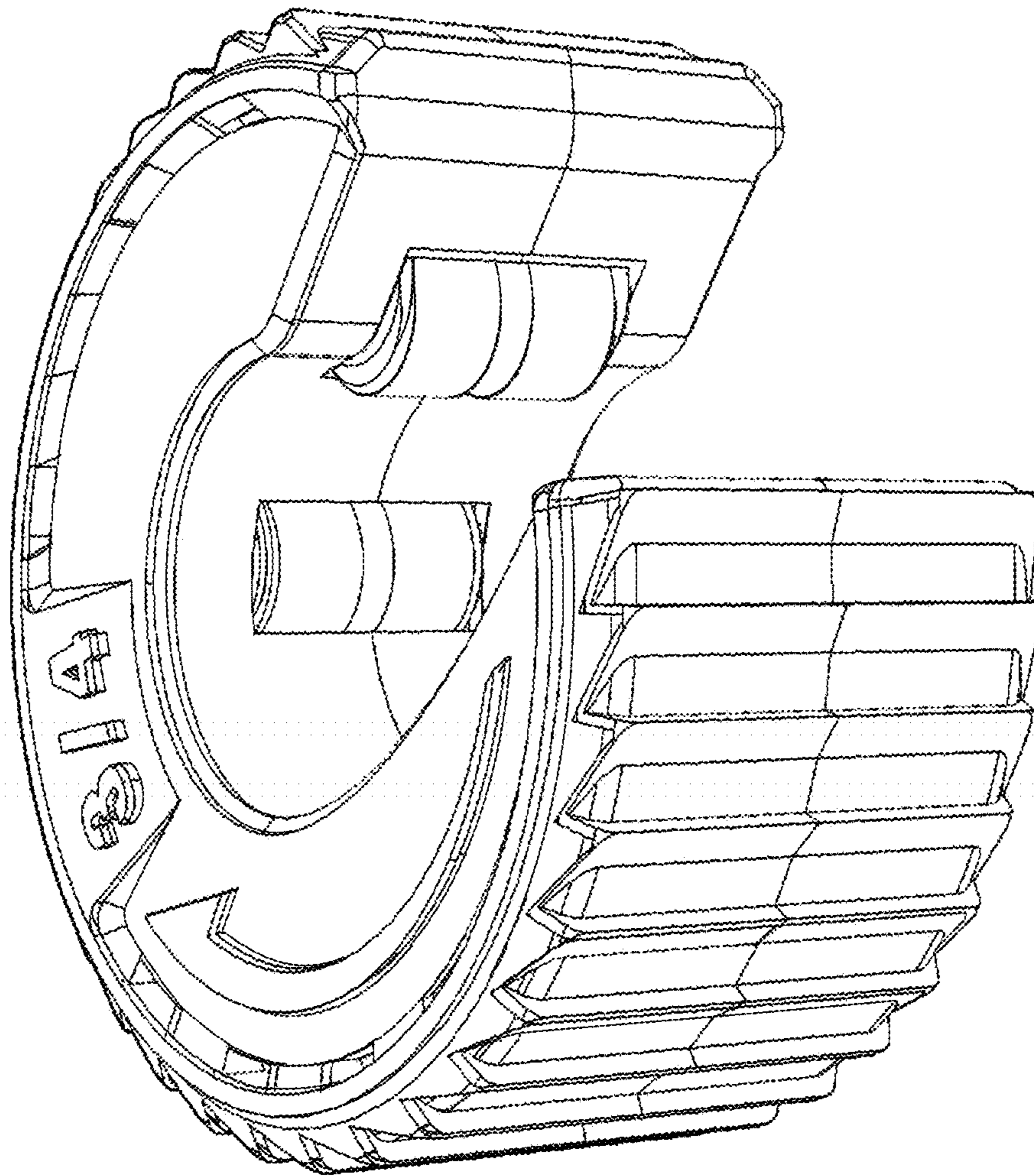


Fig. 21

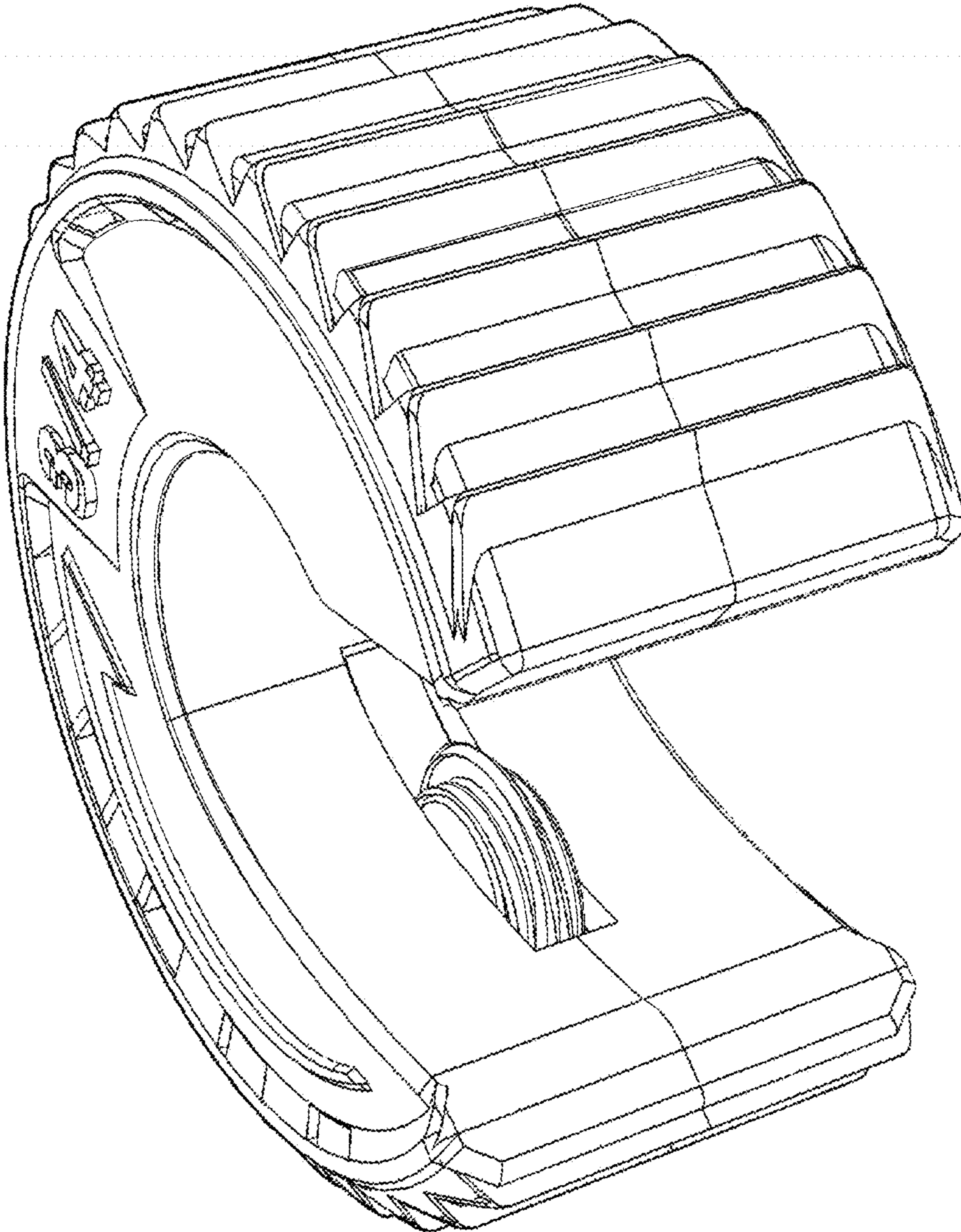


Fig. 22



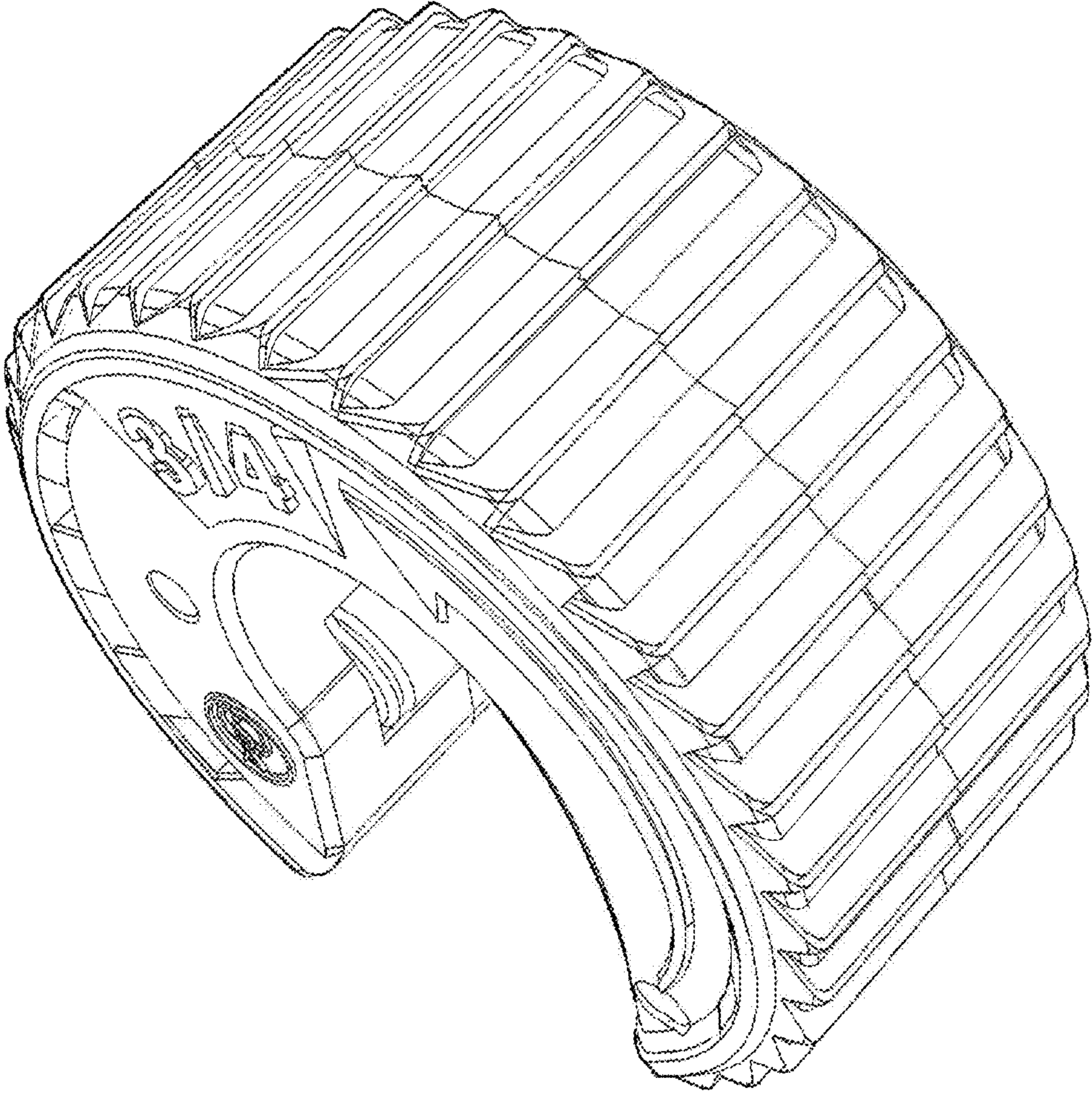


Fig. 23

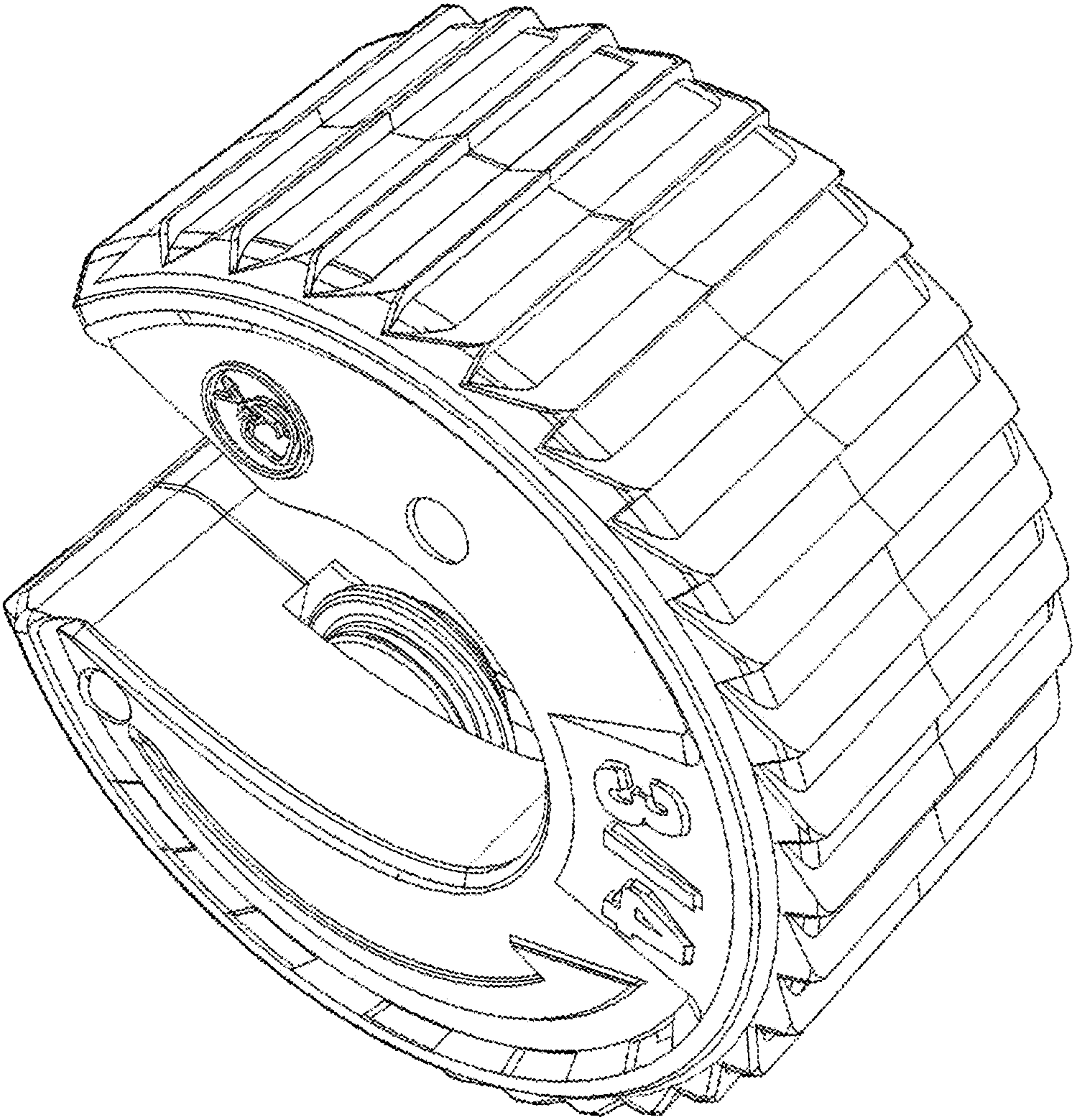


Fig. 24

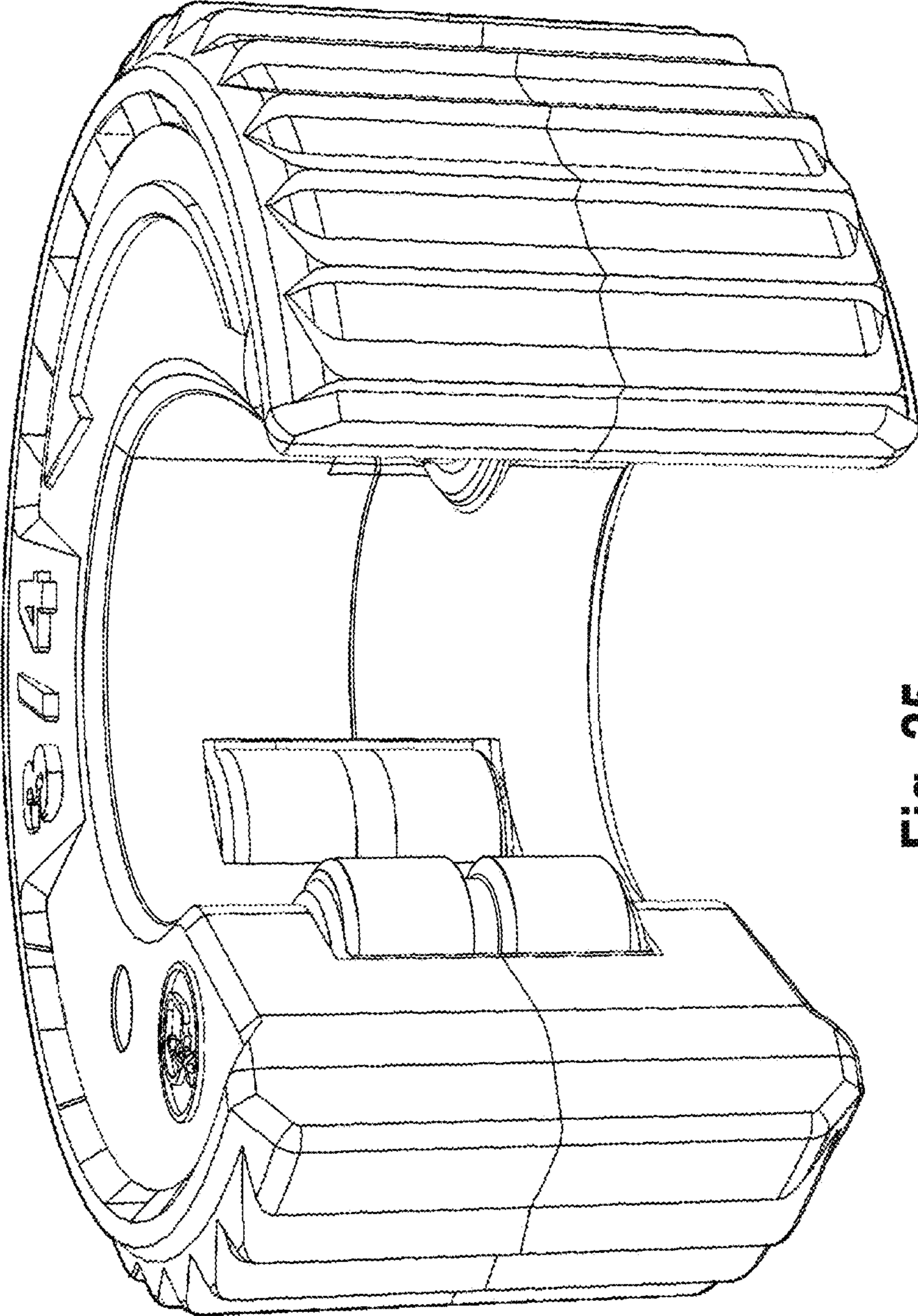


Fig. 25

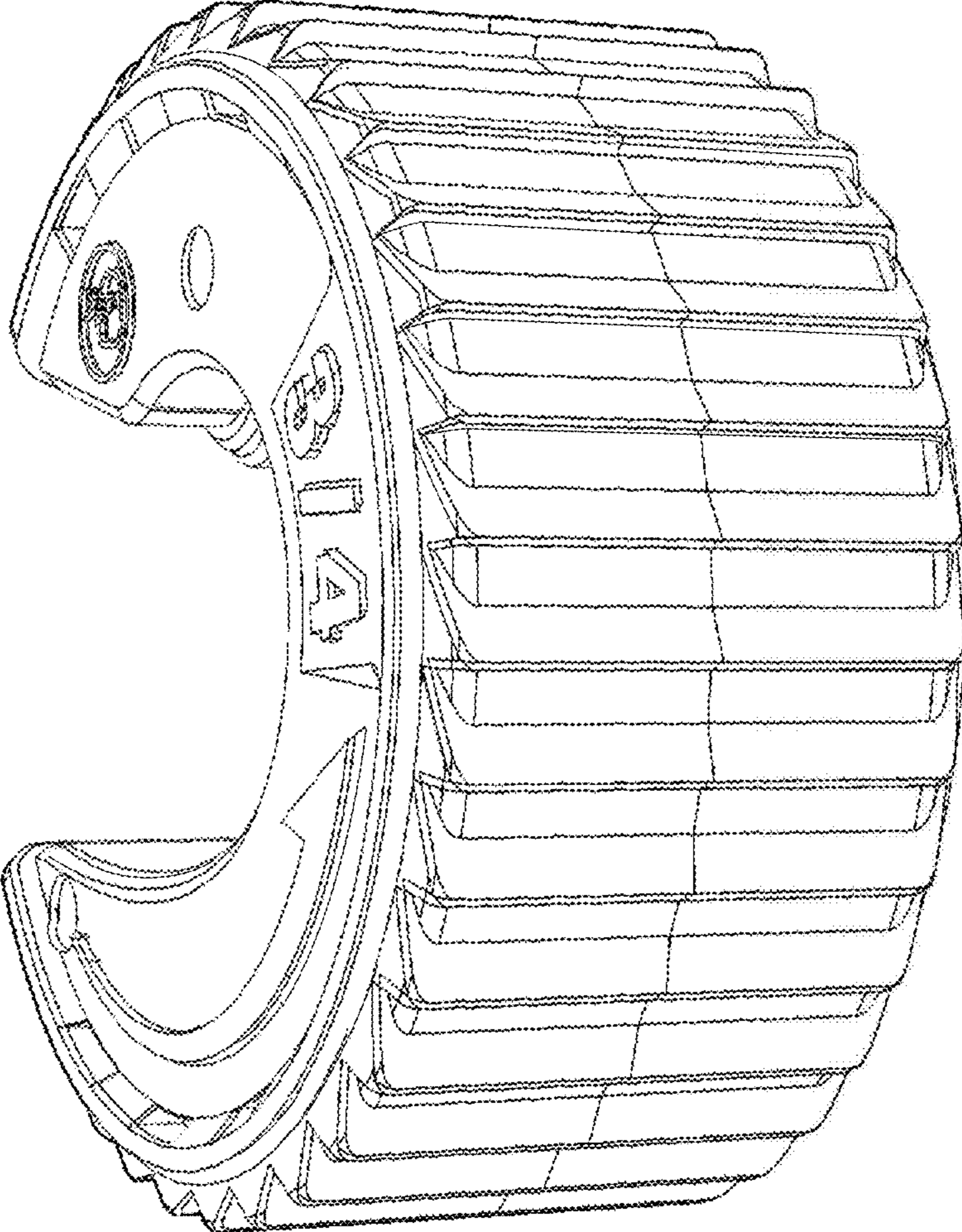


Fig. 26

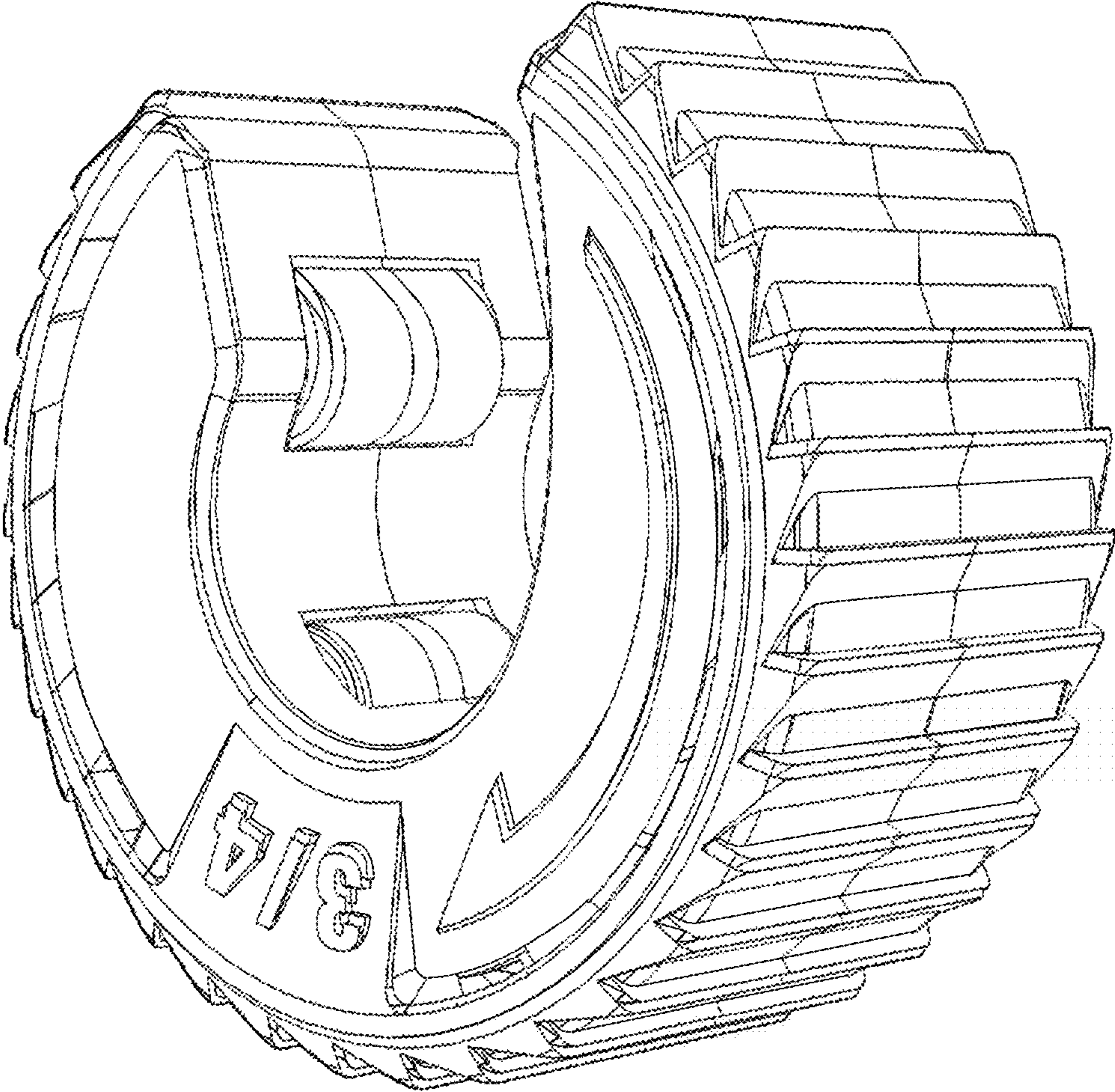


Fig. 27

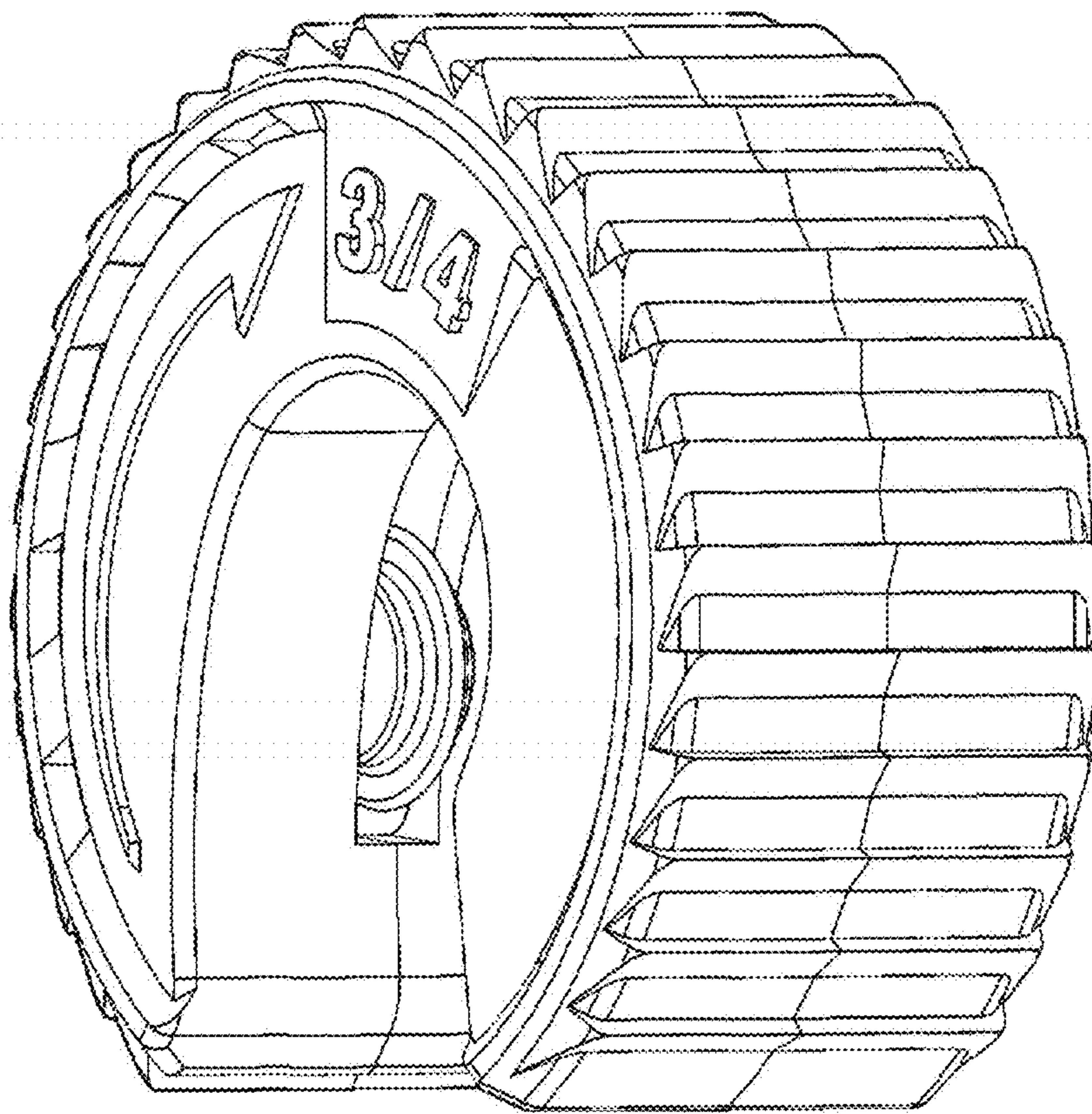


Fig. 28

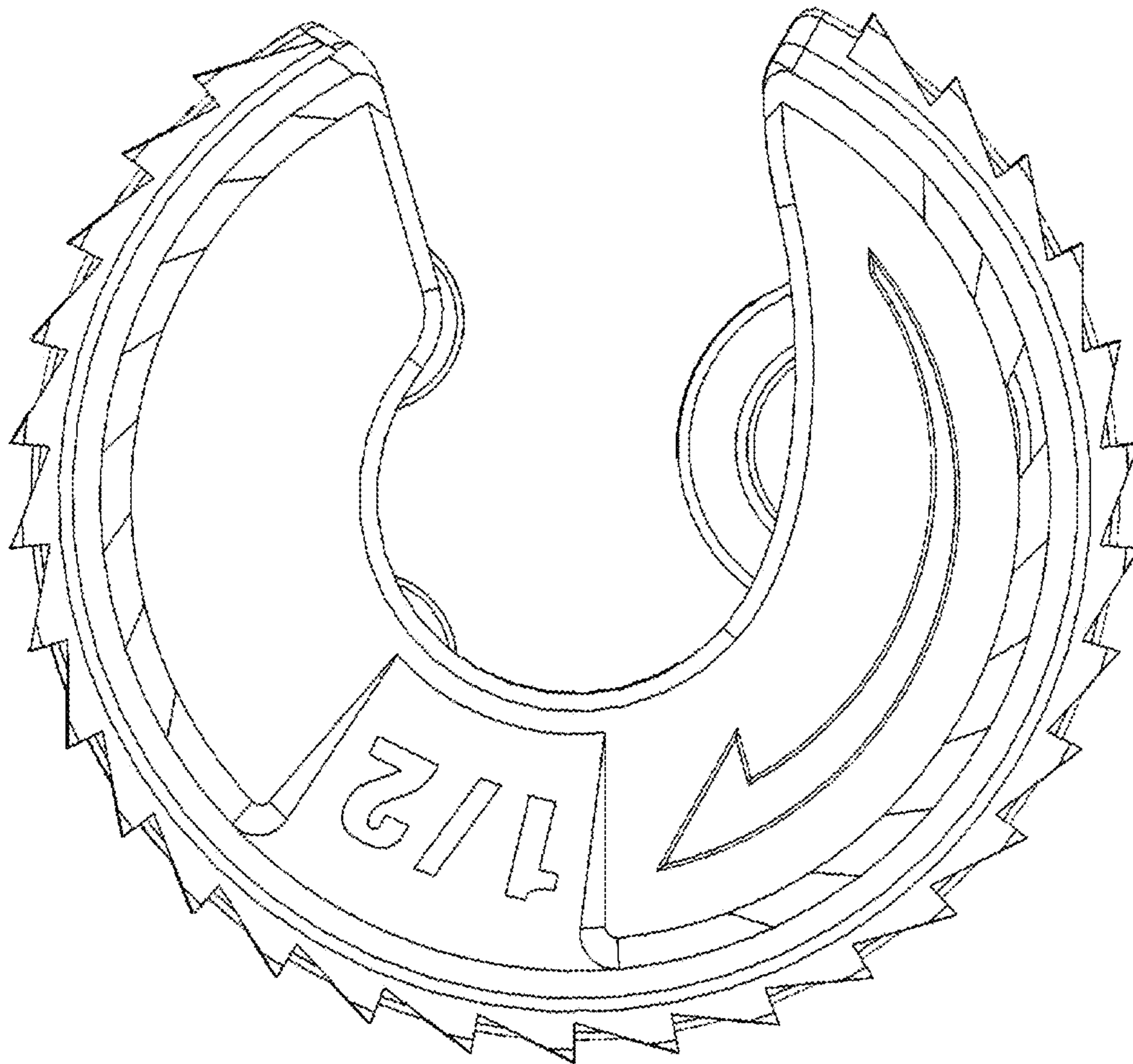


Fig. 29

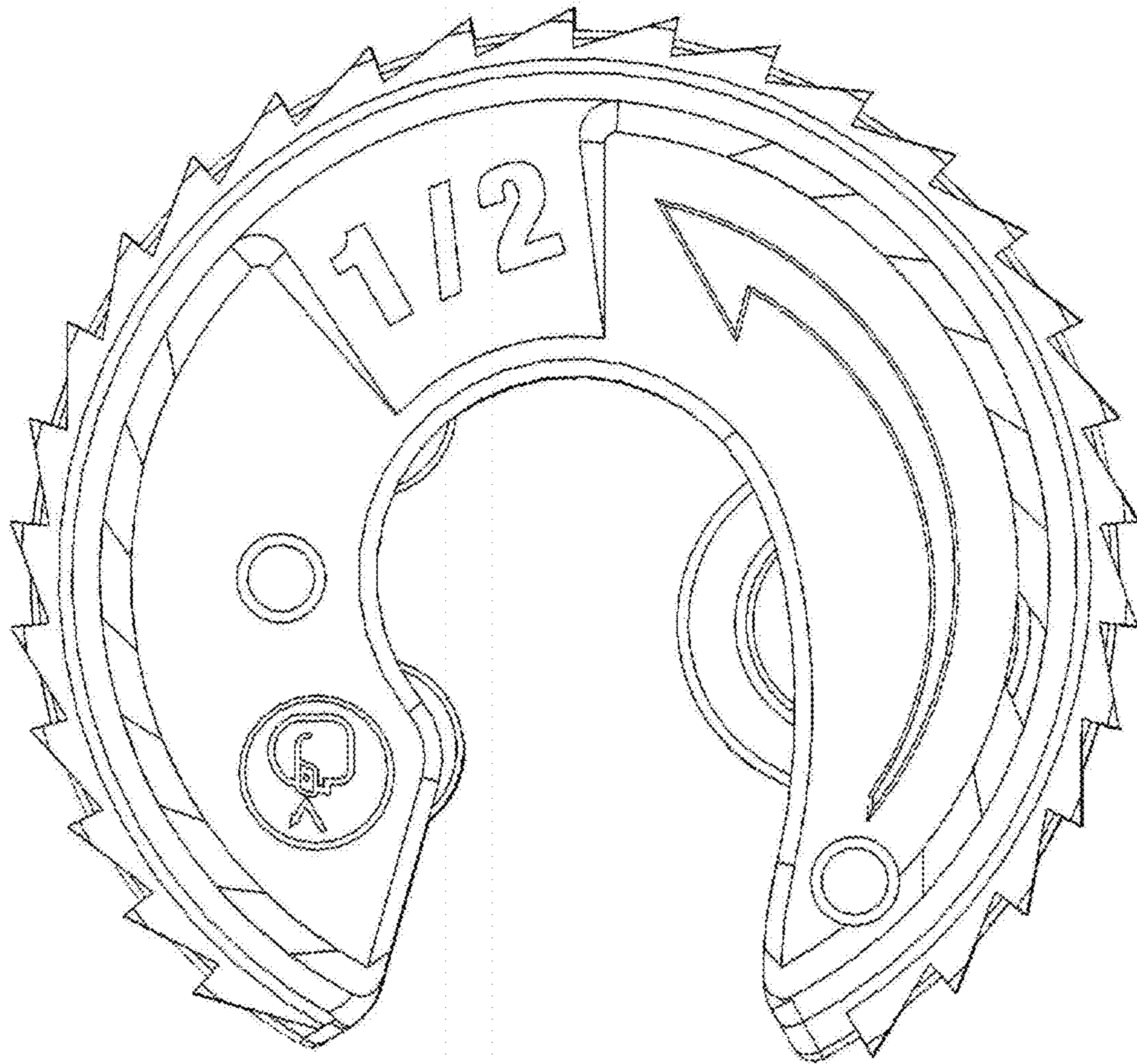


Fig. 30



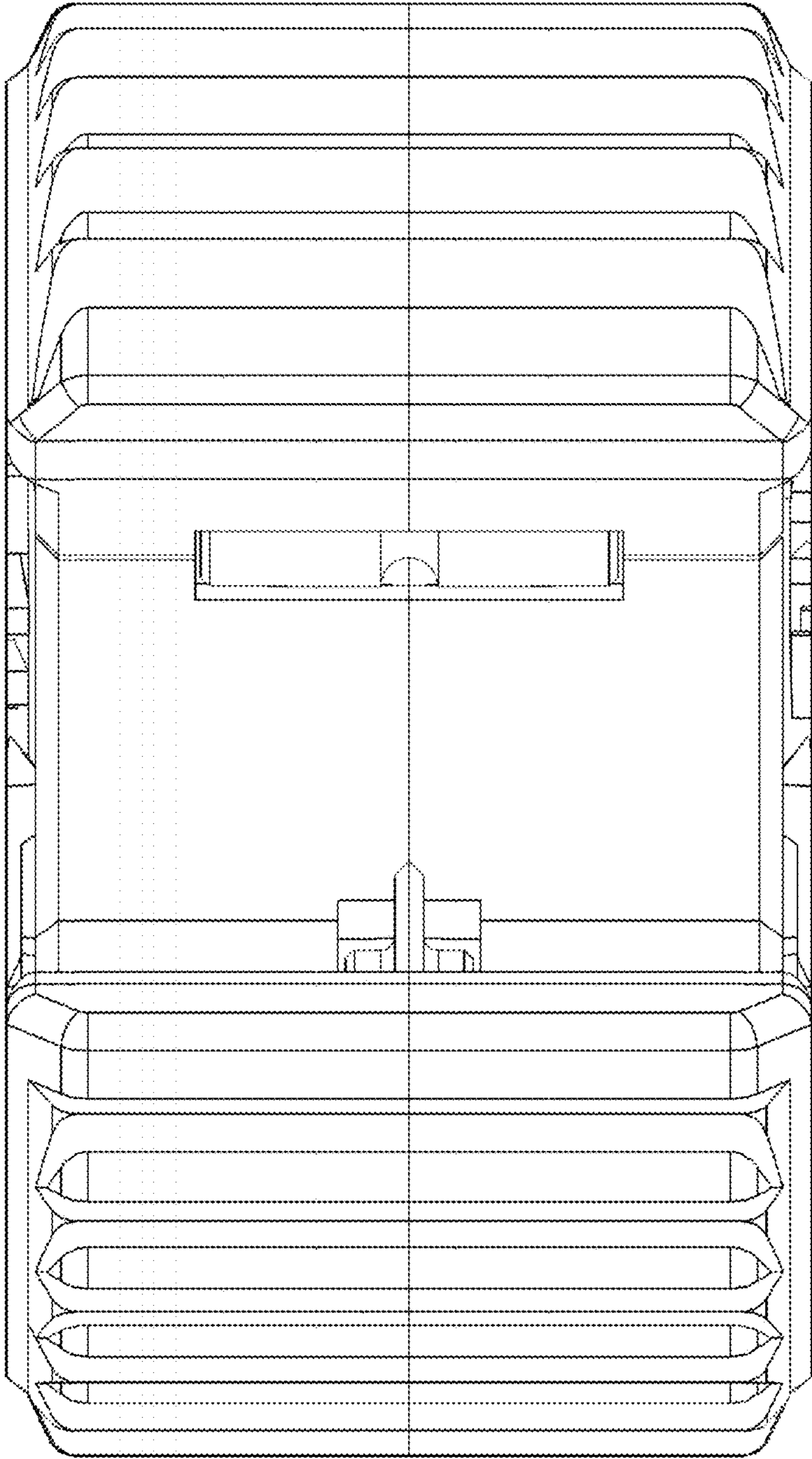


Fig. 31

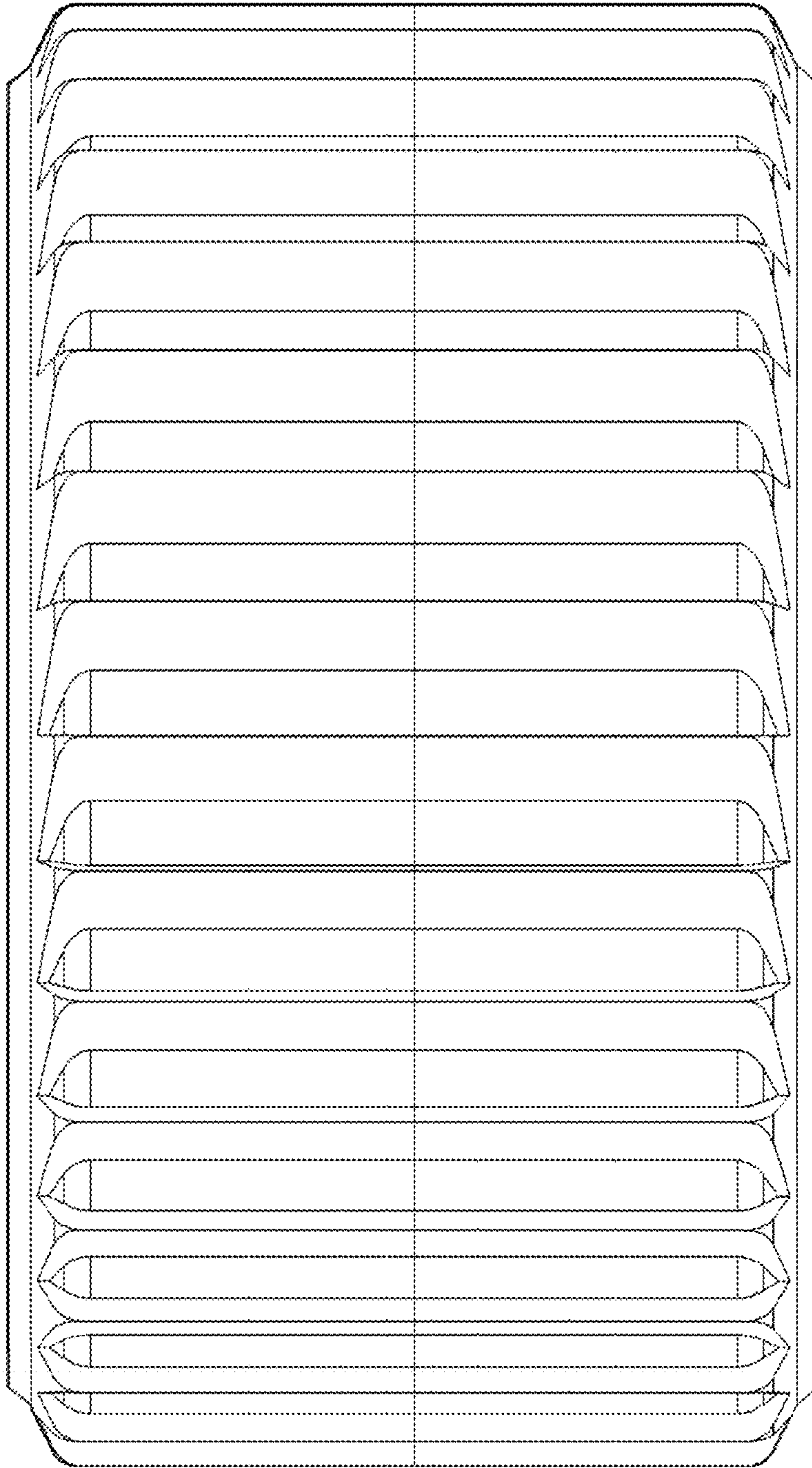
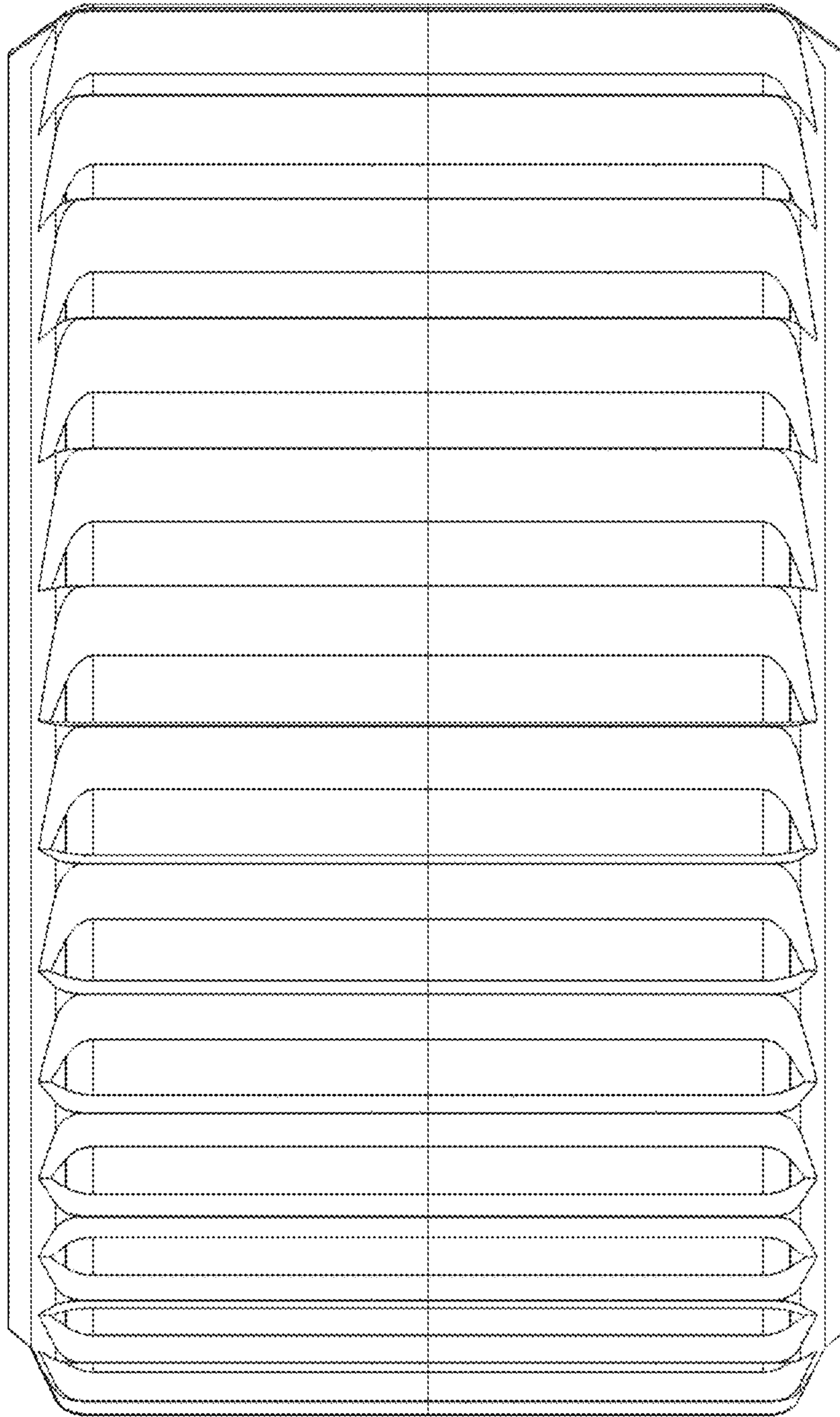


Fig. 32



**Fig. 33**

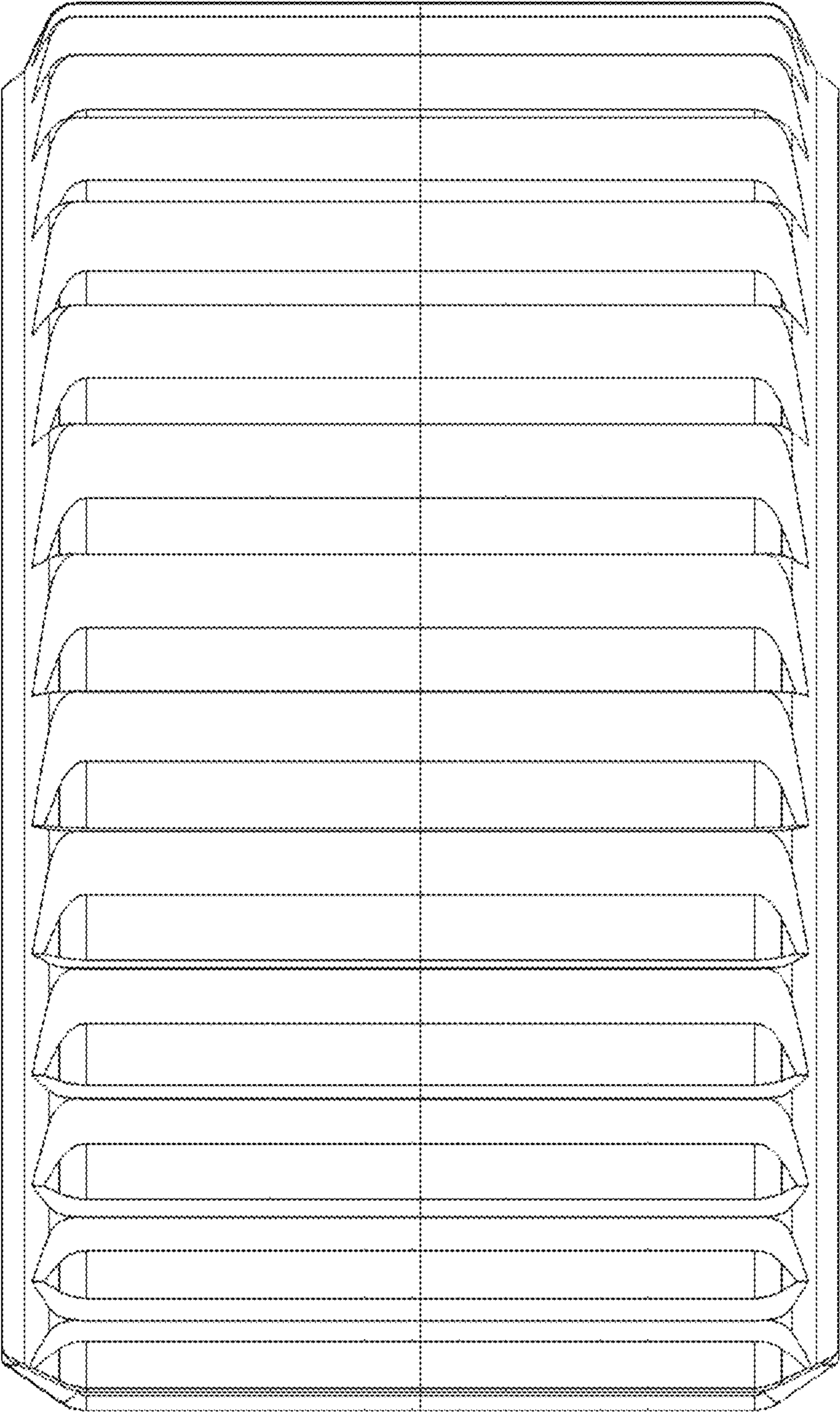


Fig. 34

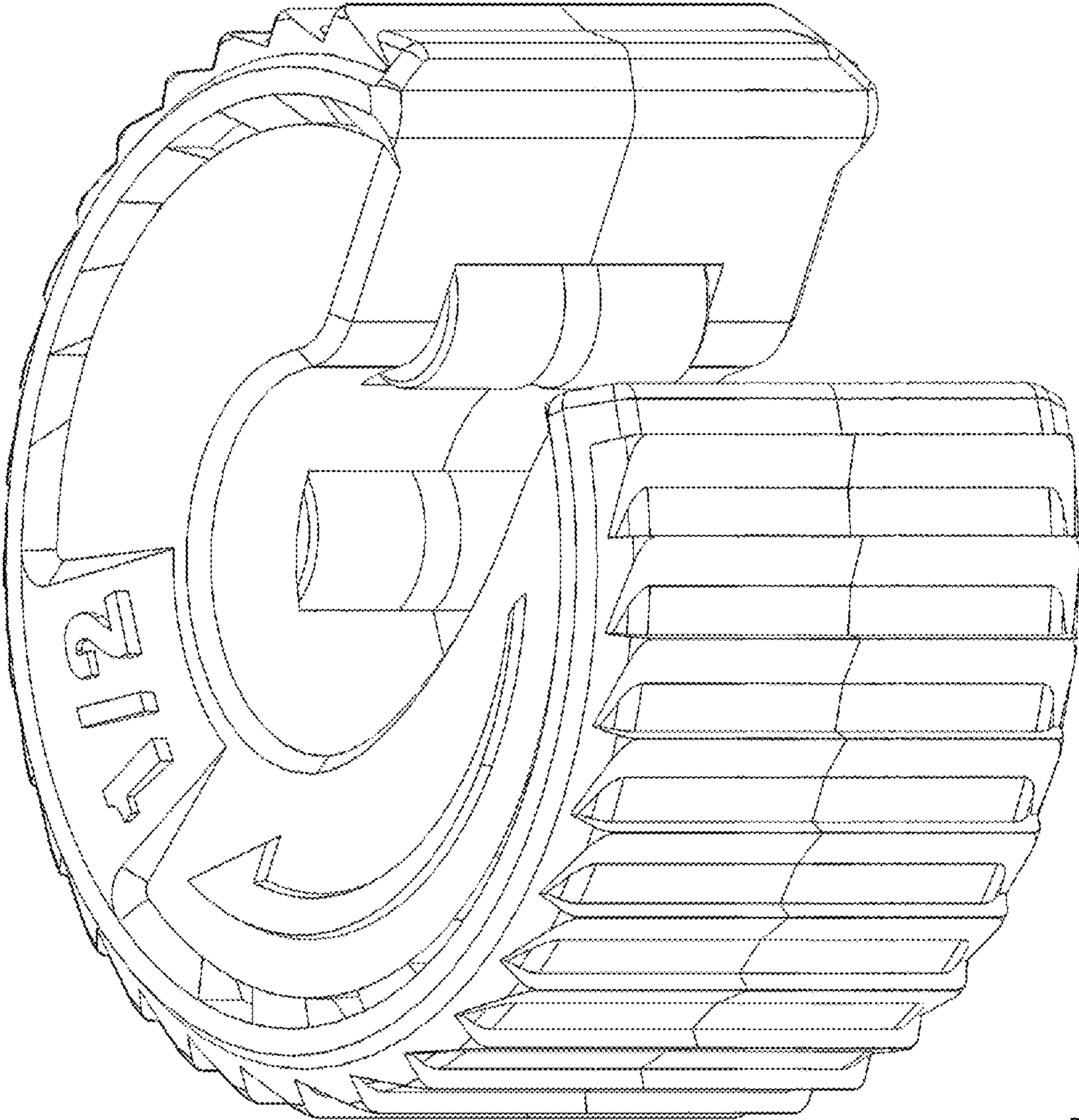


Fig. 35

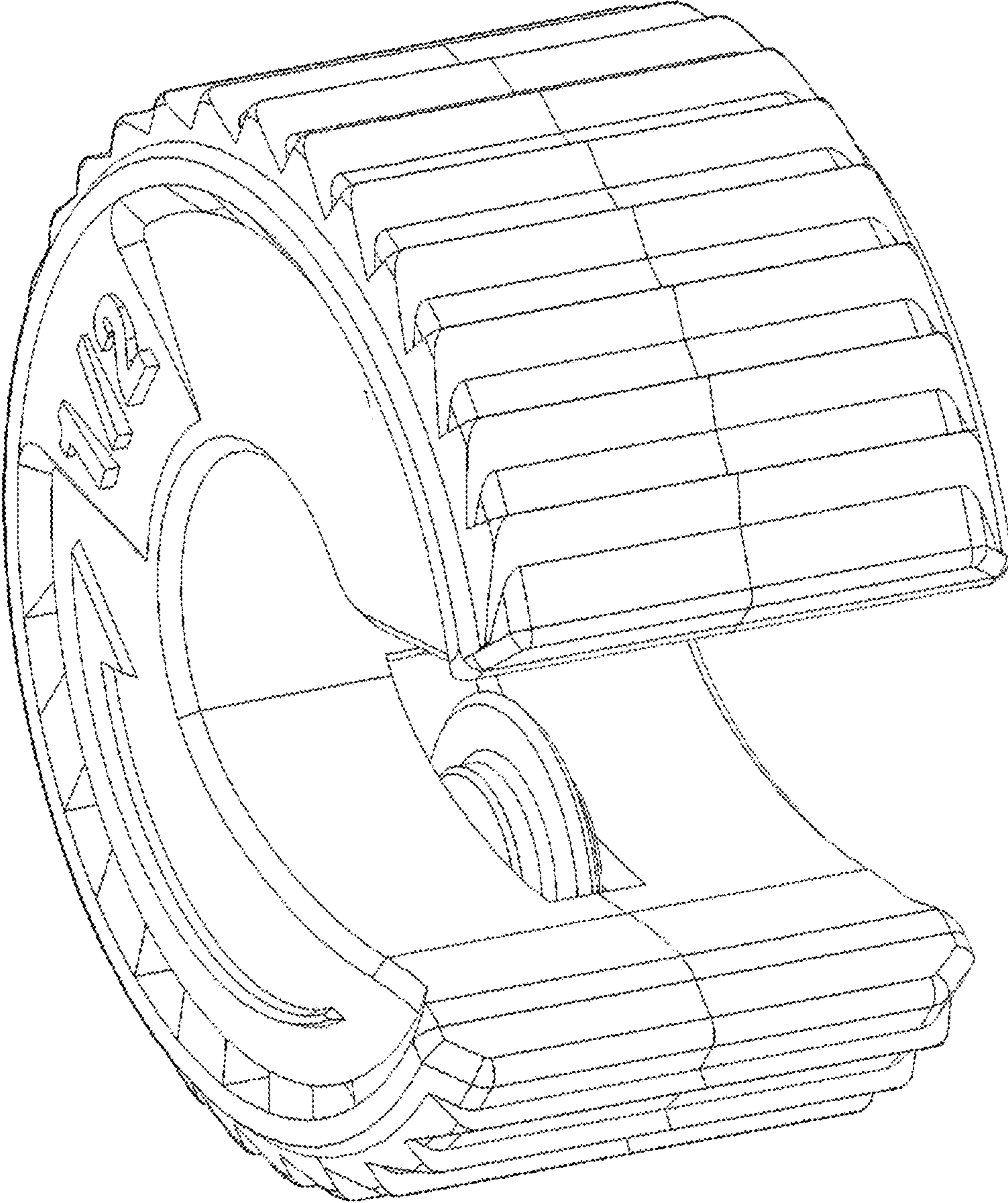


Fig. 36

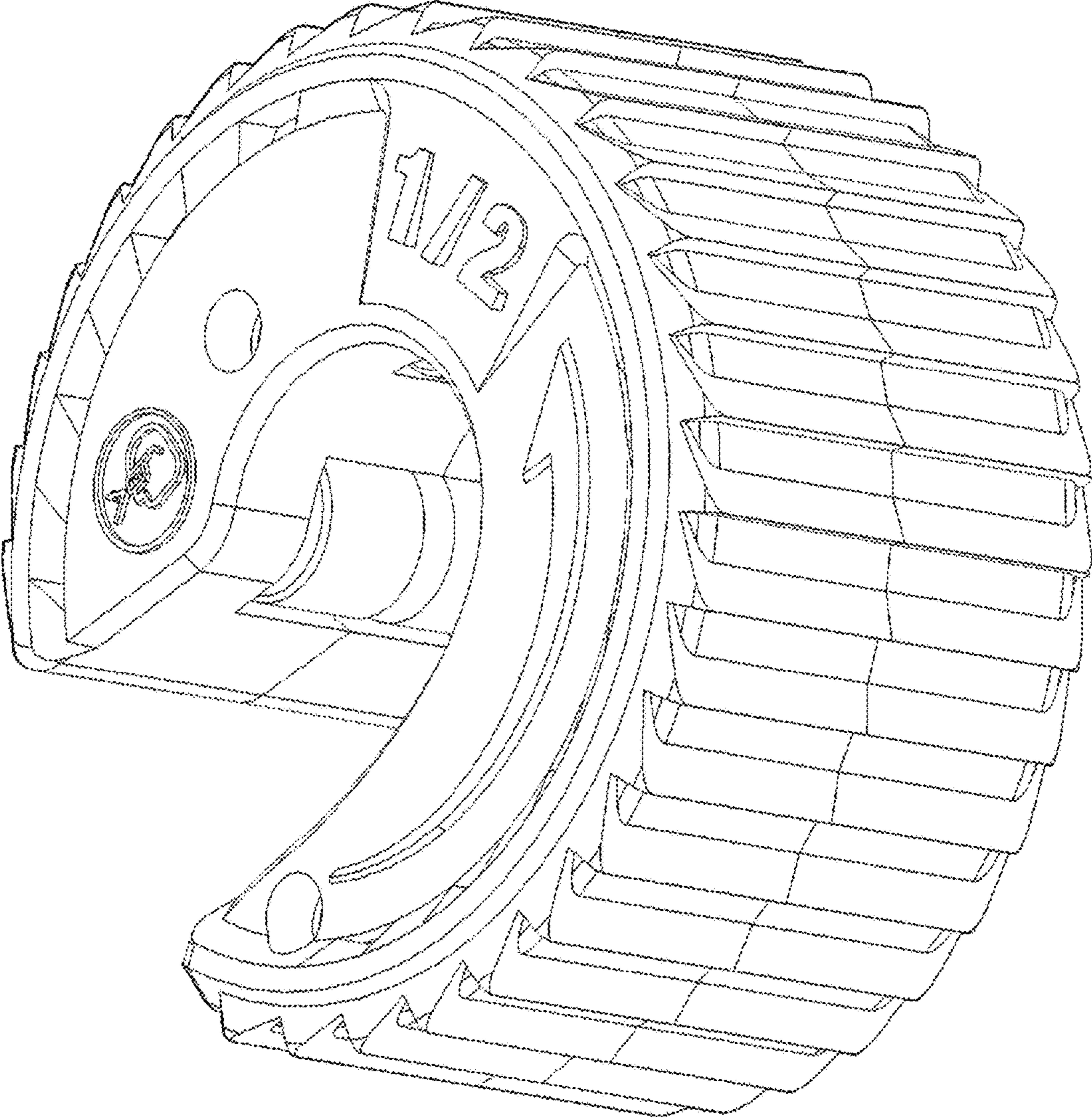


Fig. 37

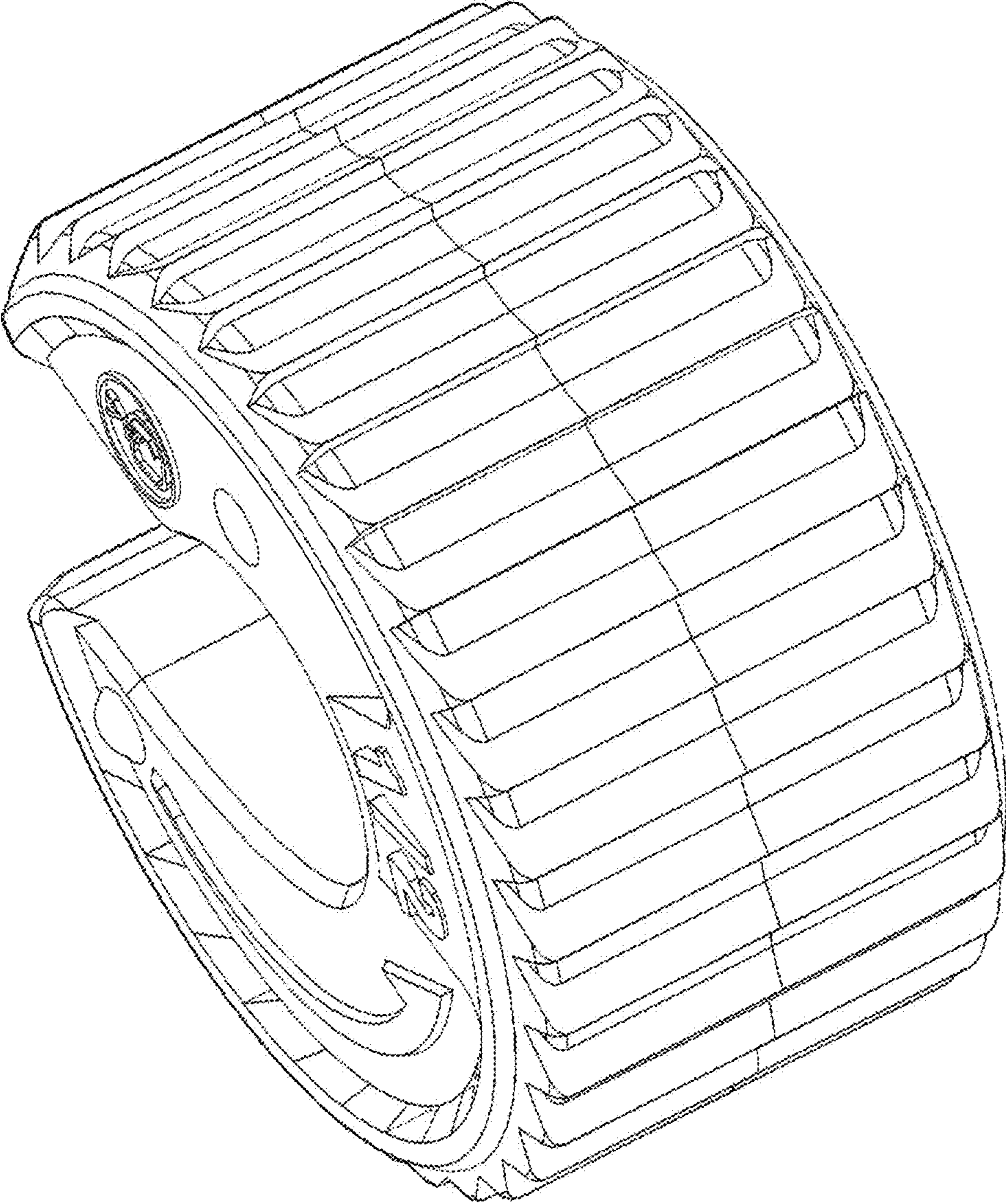


Fig. 38



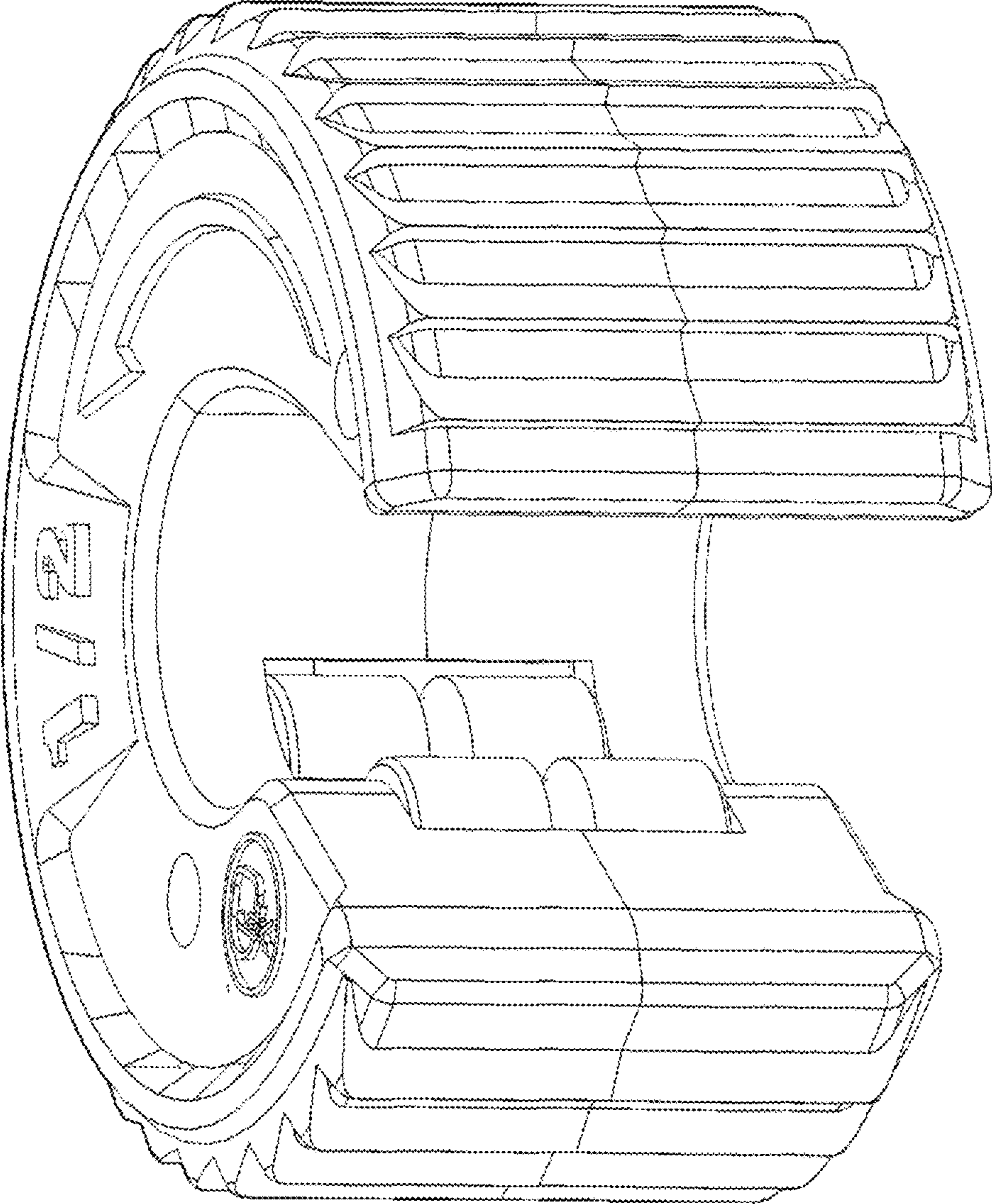


Fig. 39

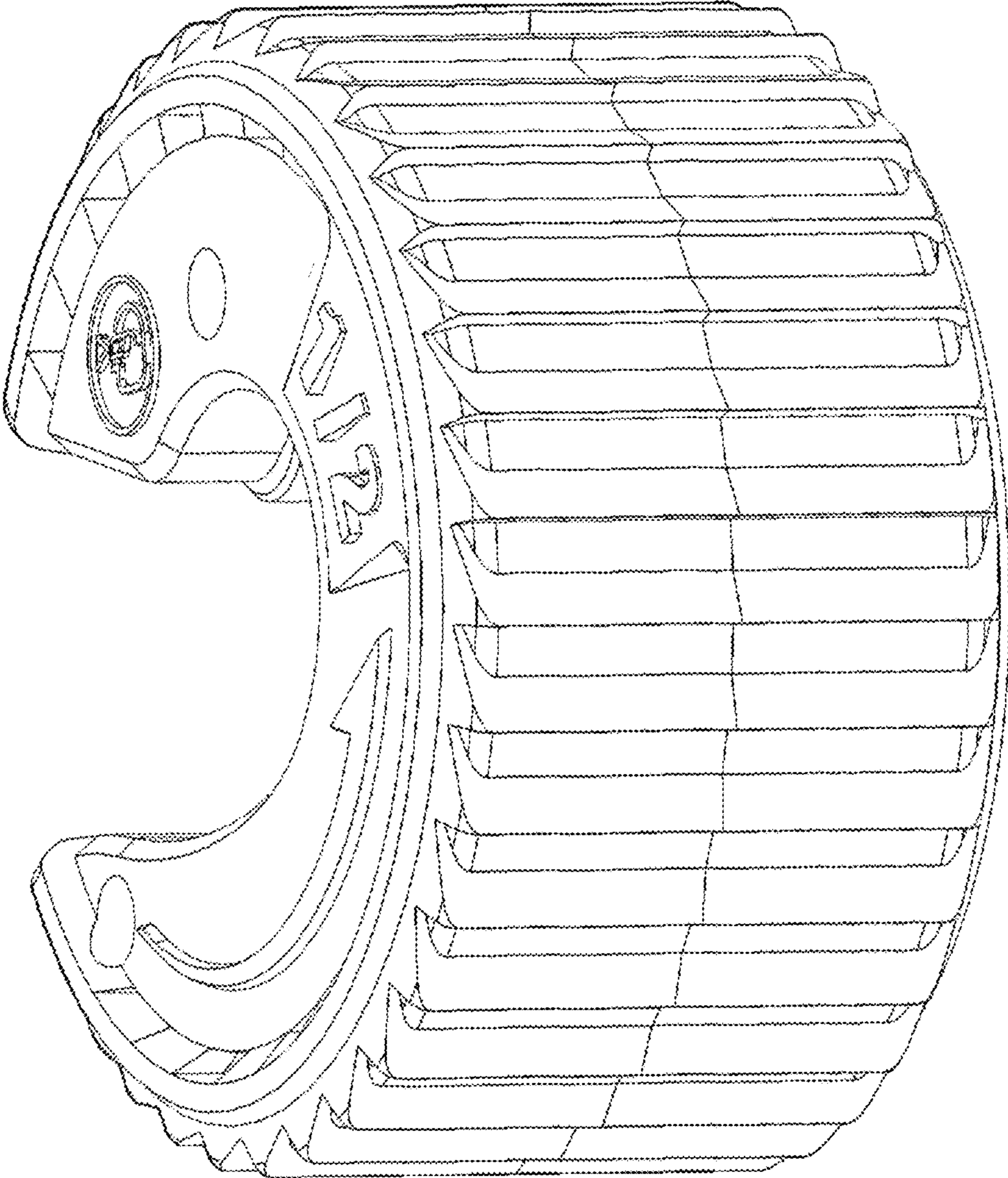


Fig. 40

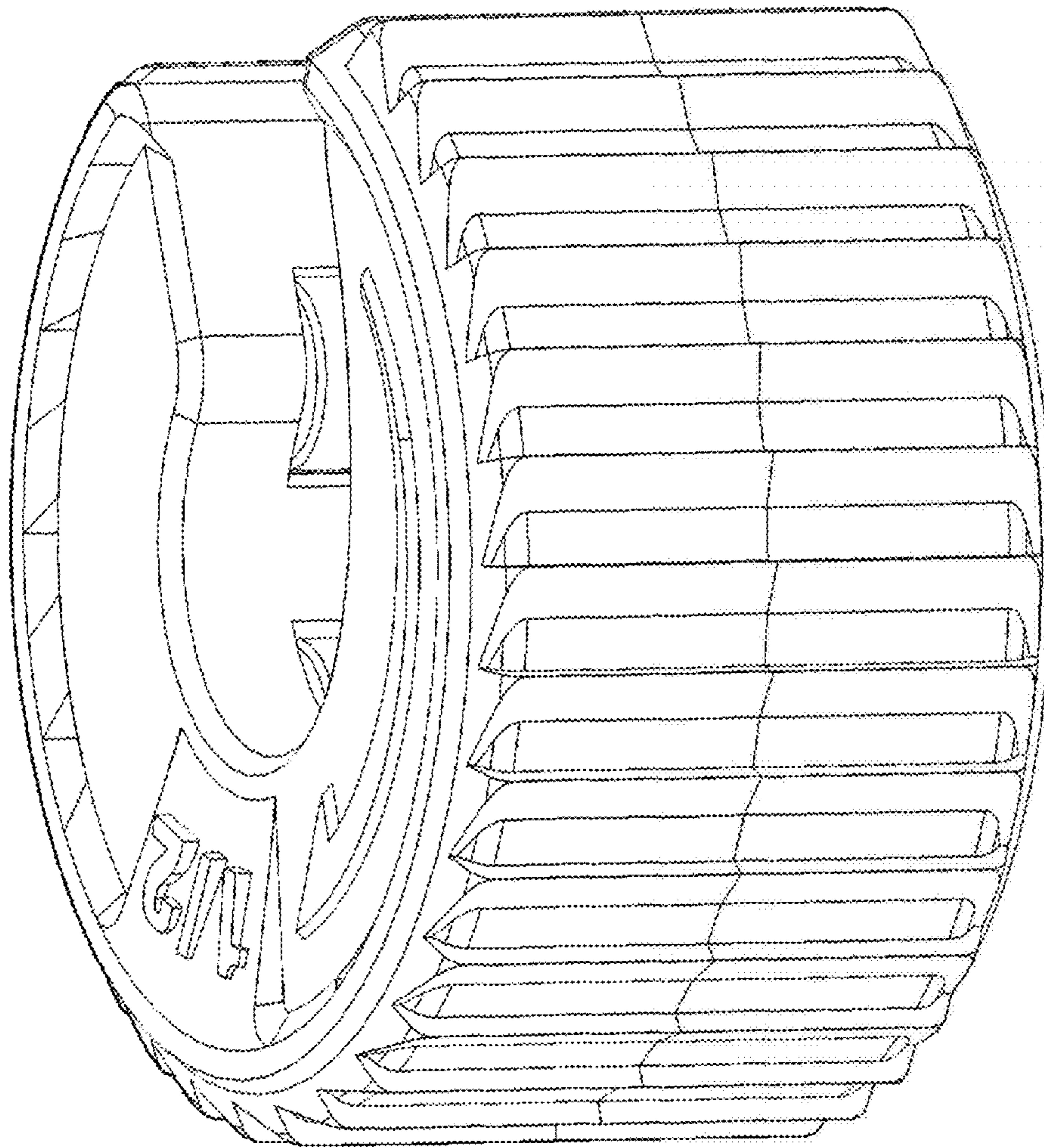


Fig. 41

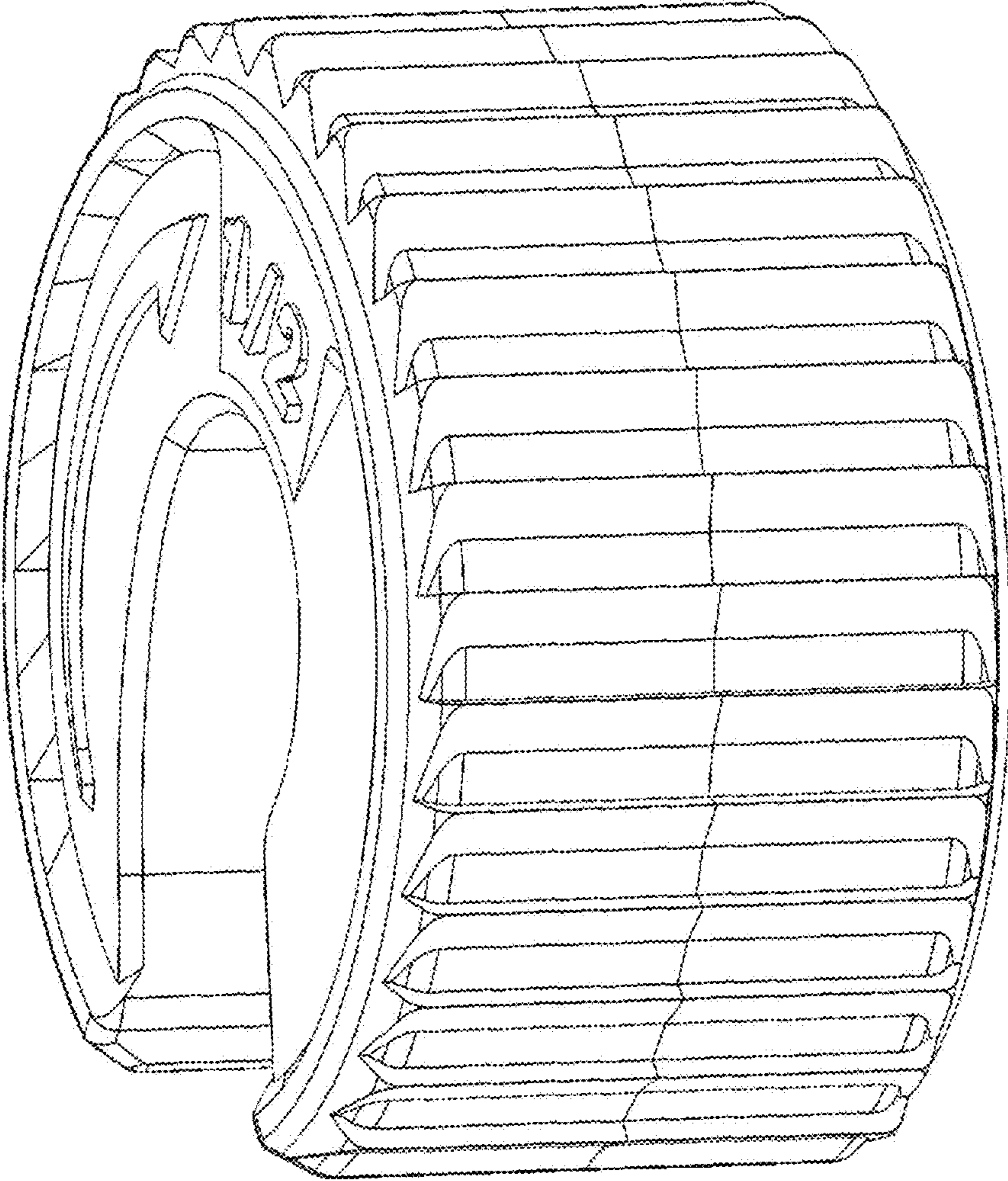


Fig. 42