



US00D808754S

(12) **United States Design Patent**
Brouillac

(10) **Patent No.:** **US D808,754 S**
(45) **Date of Patent:** **** Jan. 30, 2018**

- (54) **CORKSCREW AND STAND**
- (71) Applicant: **PSP, Quingey (FR)**
- (72) Inventor: **Nicolas Brouillac, Quingey (FR)**
- (73) Assignee: **PSP, Quingey (FR)**
- (**) Term: **15 Years**
- (21) Appl. No.: **29/579,767**
- (22) Filed: **Oct. 3, 2016**

D471,778 S *	3/2003	Federighi	D8/42
D475,261 S	6/2003	Lee		
D503,876 S *	4/2005	Lin	D8/42
D516,885 S *	3/2006	Yang	D8/33
D517,882 S	3/2006	Kushner		
D660,114 S	5/2012	Mauffette		
D670,985 S *	11/2012	Tompkin	D26/49
D690,383 S *	9/2013	Sheikh	220/212
D718,106 S	11/2014	Lauzet		
D743,594 S *	11/2015	Scazziga	D26/37
D754,502 S *	4/2016	Cozzolino	D8/42
D765,483 S *	9/2016	Knirr	D8/38
D766,688 S *	9/2016	Cozzolino	D8/42
D795,871 S *	8/2017	Jentz	D14/388

* cited by examiner

(30) **Foreign Application Priority Data**

Apr. 5, 2016 (EM) 003056589-0001

(51) **LOC (11) Cl.** **07-06**

(52) **U.S. Cl.**
USPC **D8/42**

(58) **Field of Classification Search**
 USPC ... D8/18, 26, 33, 34, 38, 40, 42, 43, 52, 56,
 D8/82, 300, 301; D26/37, 38, 42, 46, 47,
 D26/49; 7/118, 151–156, 169;
 81/3.07–3.49, 3.55, 52, 119–125.1,
 81/177.1–177.6, 436, 437, 460;
 30/400–443, 450
 CPC B67B 1/00; B67B 3/00; B67B 7/00; B67B
 7/04; B67B 7/14; B67B 7/16; B67B 7/24;
 B67B 7/30; B67B 7/32; B67B 7/34;
 B67B 7/36; B67B 7/38; B67B 7/0417;
 B67B 7/0429; B67B 7/0441; B25F 1/00
 See application file for complete search history.

(56) **References Cited**

U.S. PATENT DOCUMENTS

D312,032 S *	11/1990	Segato	D8/42
D421,206 S *	2/2000	Dannenmuller	D8/42
D453,453 S *	2/2002	Lun	D8/36

Primary Examiner — Wan Laymon

Assistant Examiner — Clint A Samuel

(74) *Attorney, Agent, or Firm* — Andrew W. Chu; Craft Chu PLLC

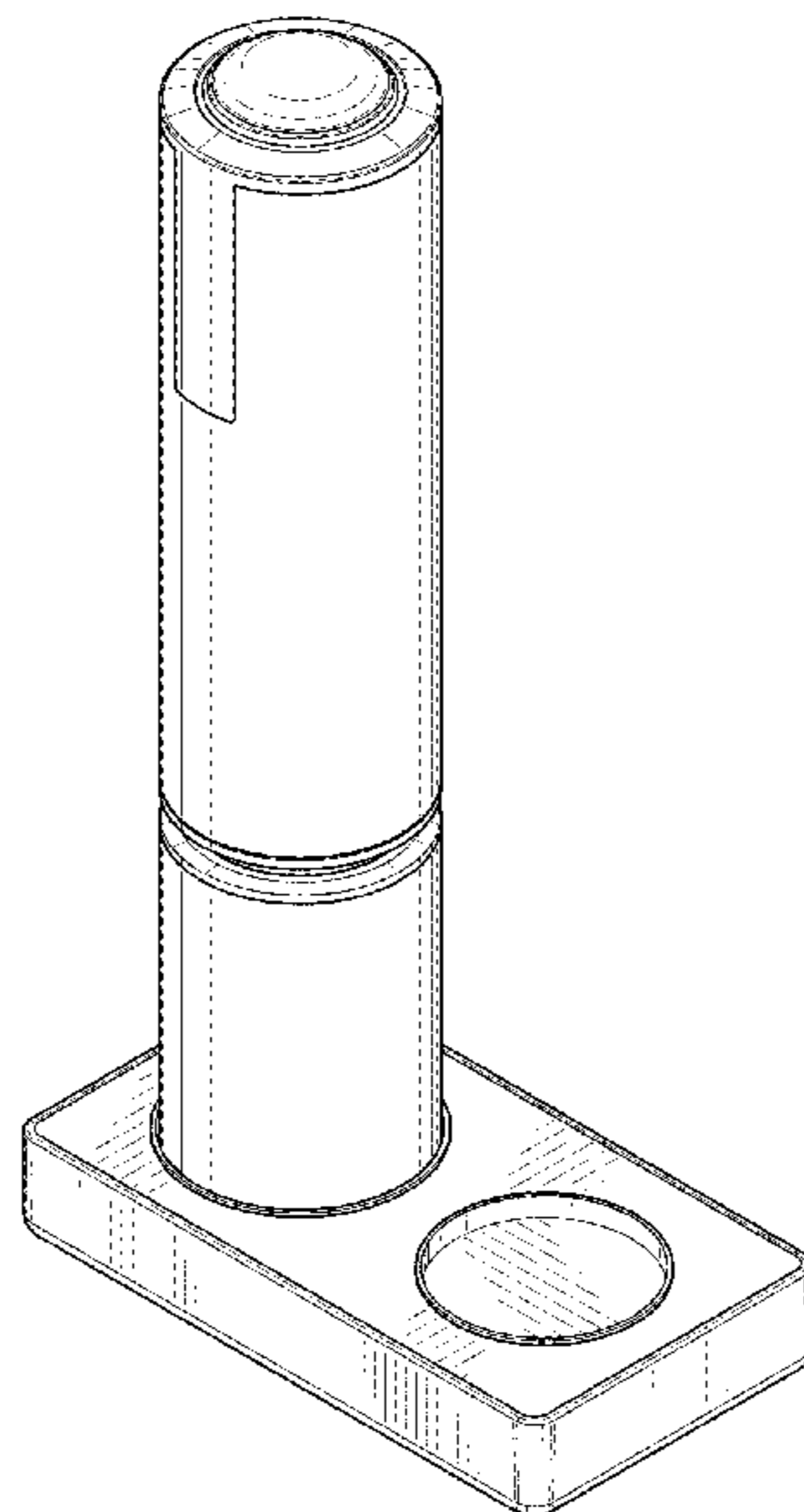
(57) **CLAIM**

The ornamental design for a corkscrew and stand, as shown and described.

DESCRIPTION

FIG. 1 is an upper perspective view of the corkscrew and stand showing my design in an attached configuration; FIG. 2 is a side elevation view thereof; FIG. 3 is an opposite side elevation view; FIG. 4 is a back elevation view; FIG. 5 is a front elevation view; FIG. 6 is a top plan view thereof; FIG. 7 a bottom plan view thereof; and, FIG. 8 is another perspective view of the corkscrew and stand showing my design in a detached configuration. The corkscrew is removably attached to the stand. The bottom plan view of the corkscrew is not part of the claimed design.

1 Claim, 5 Drawing Sheets



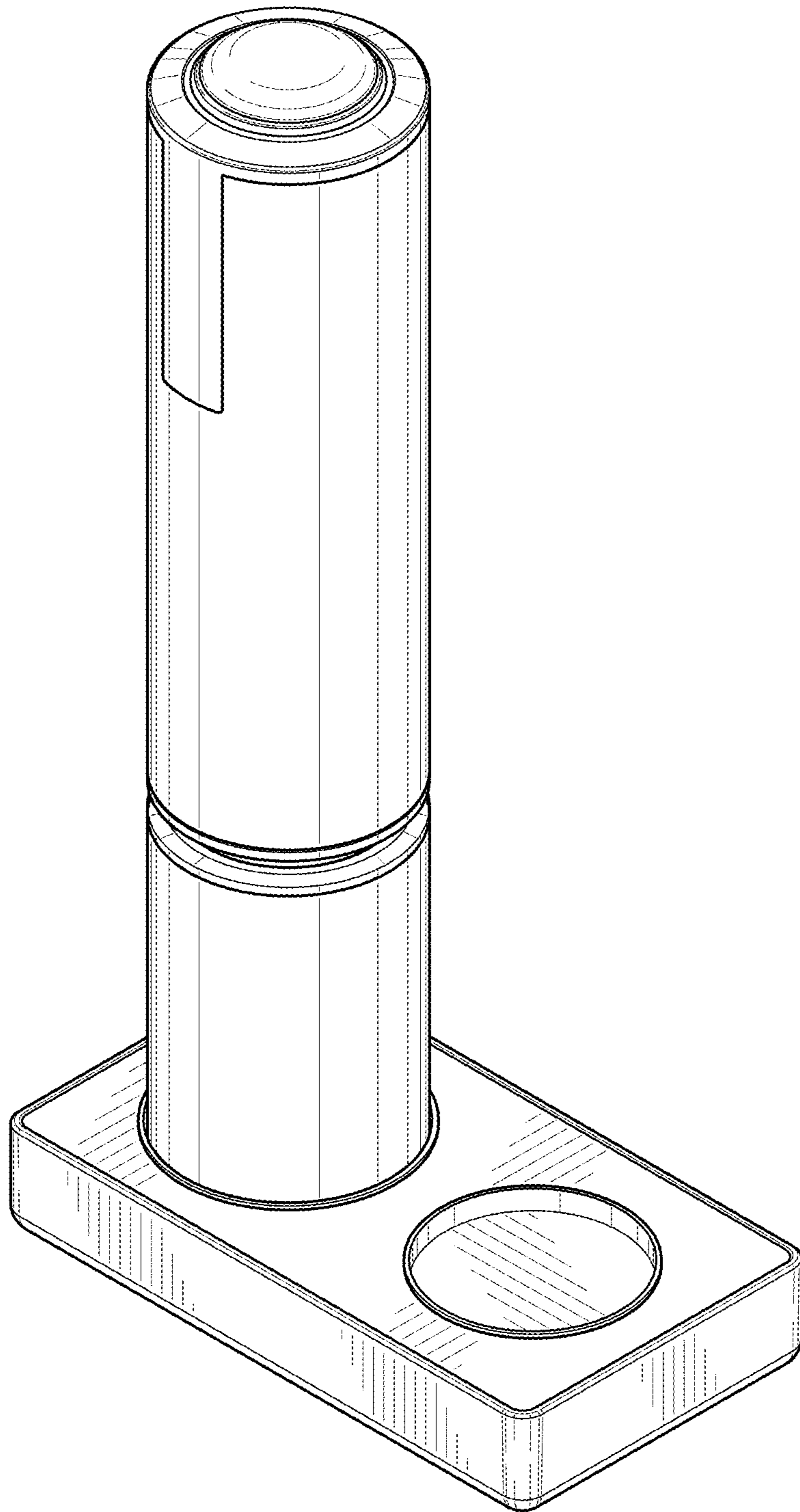


FIG. 1

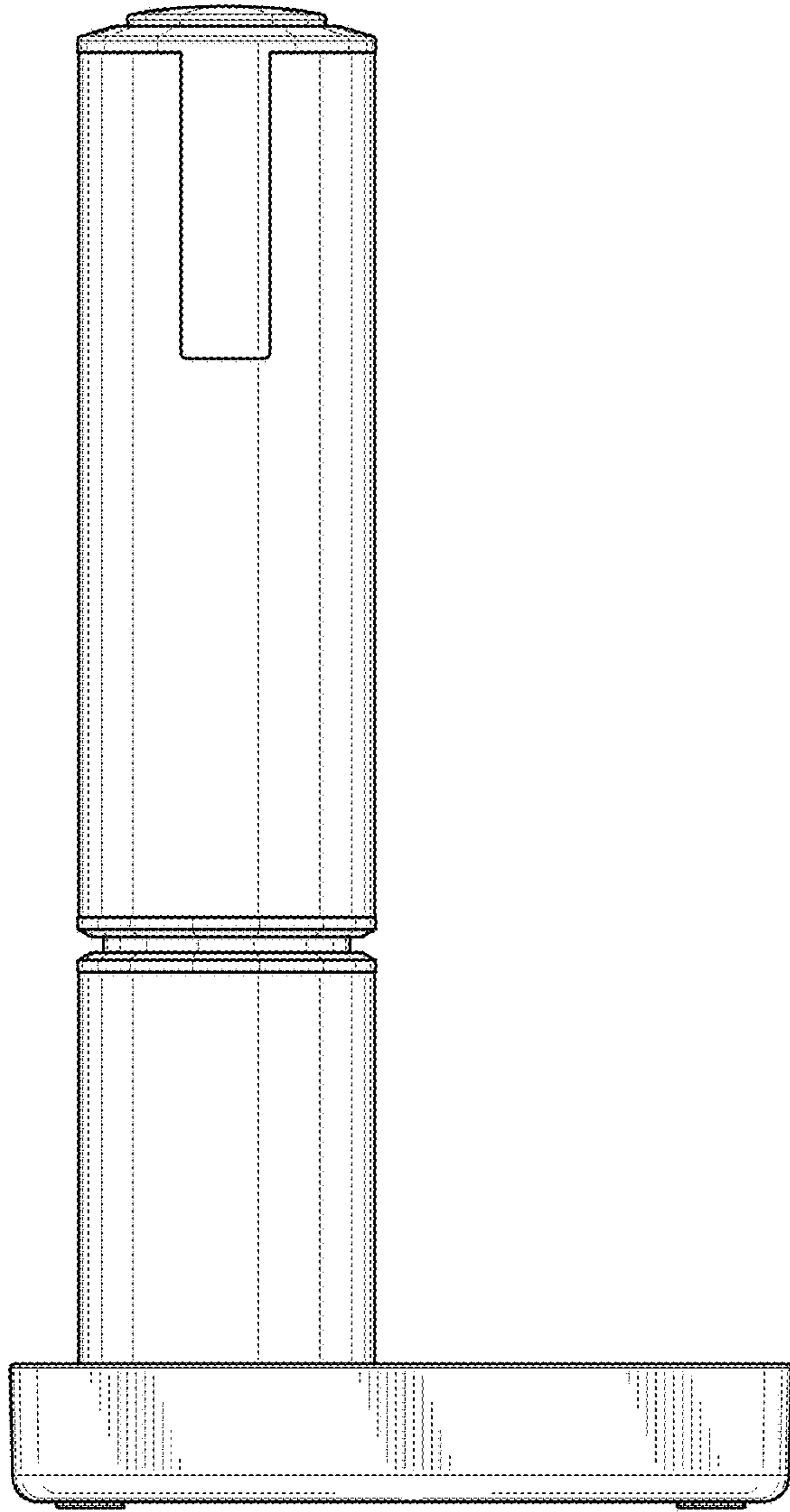


FIG. 2

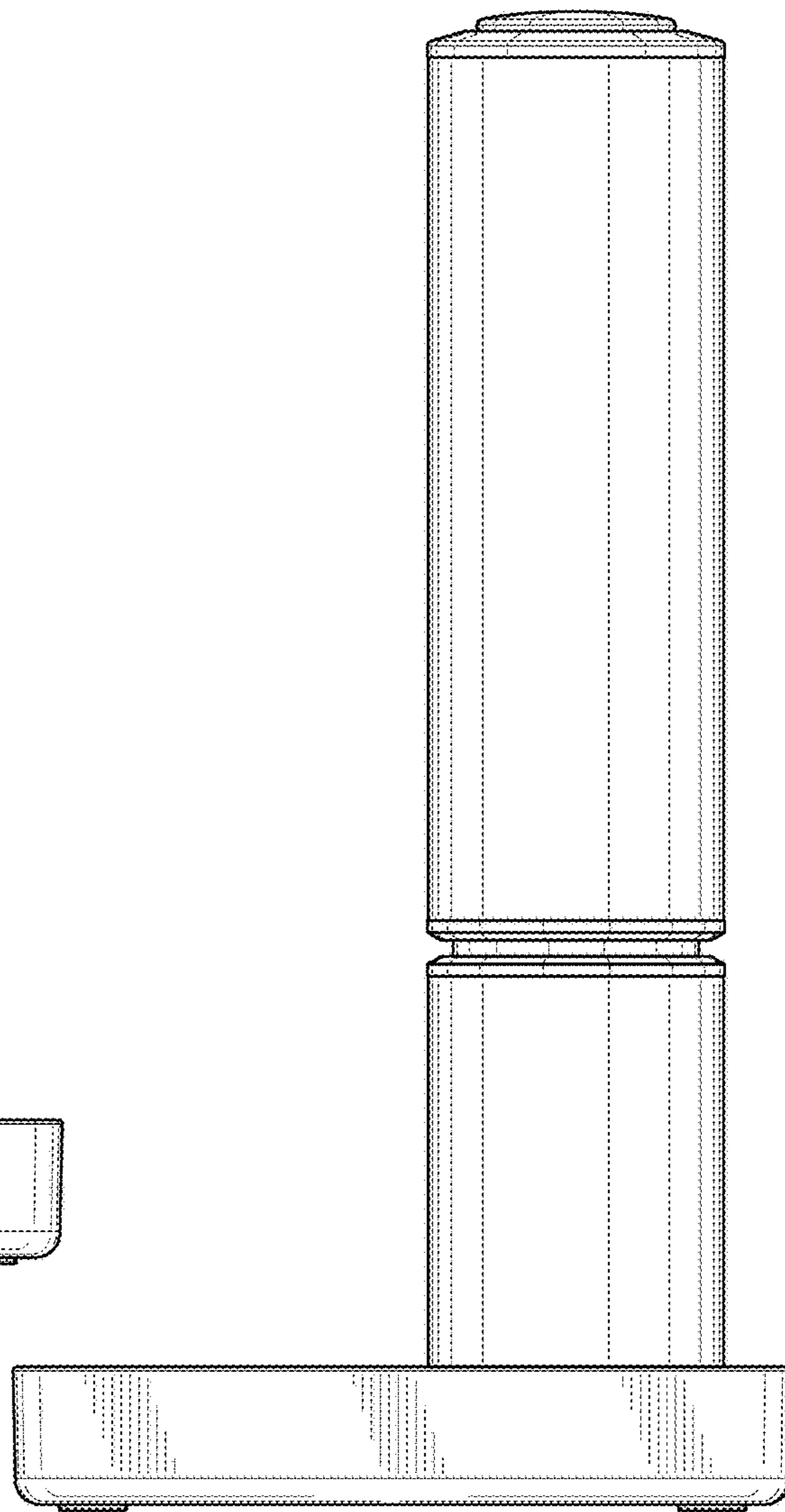


FIG. 3

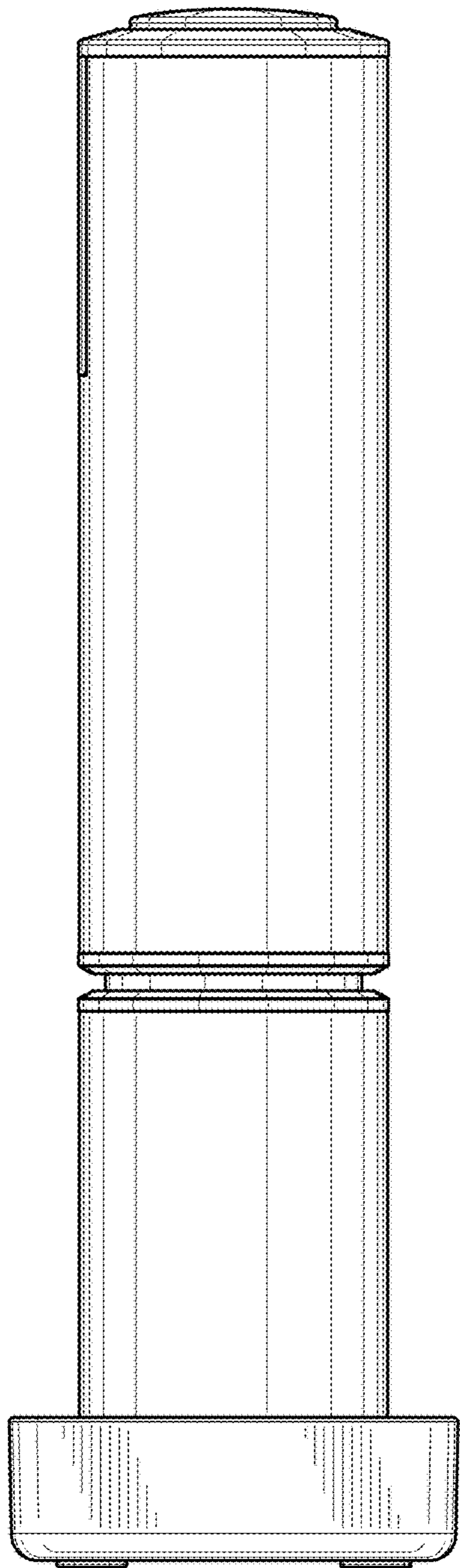


FIG. 4

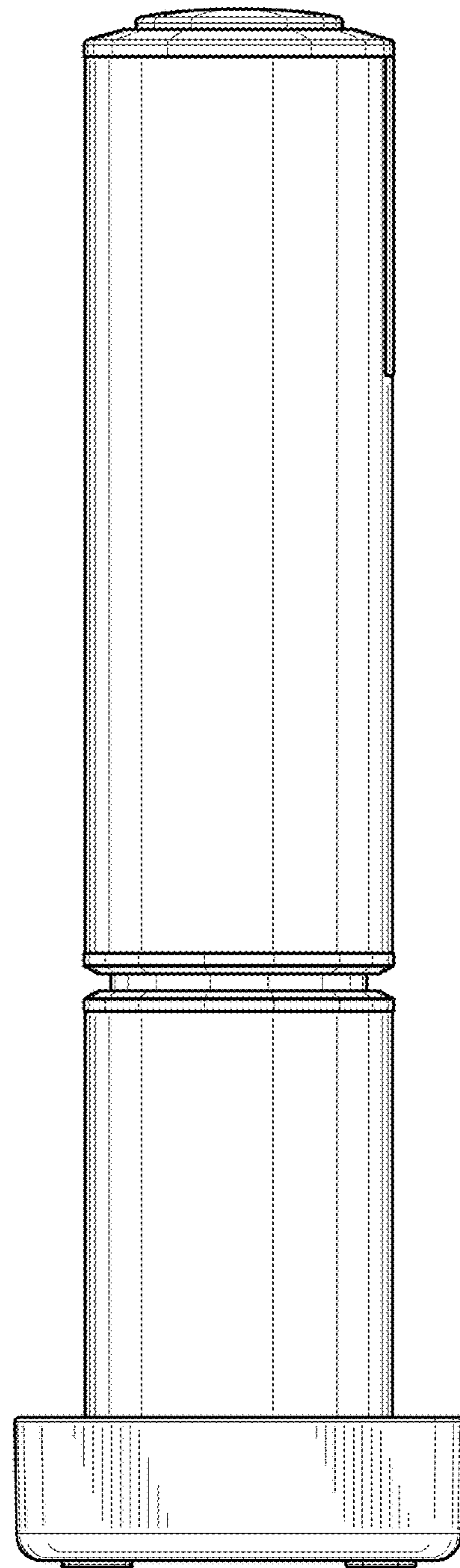


FIG. 5

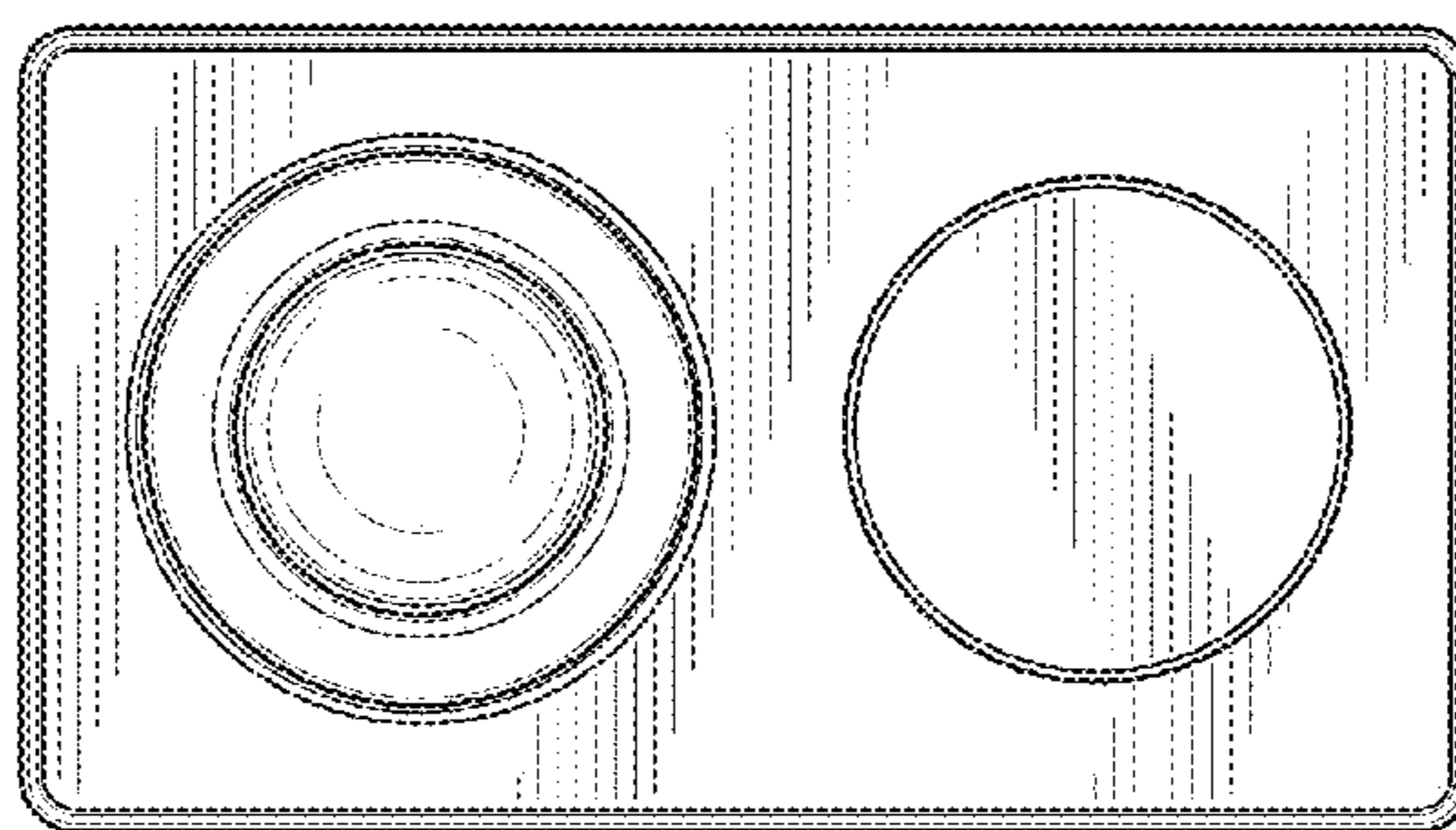


FIG. 6

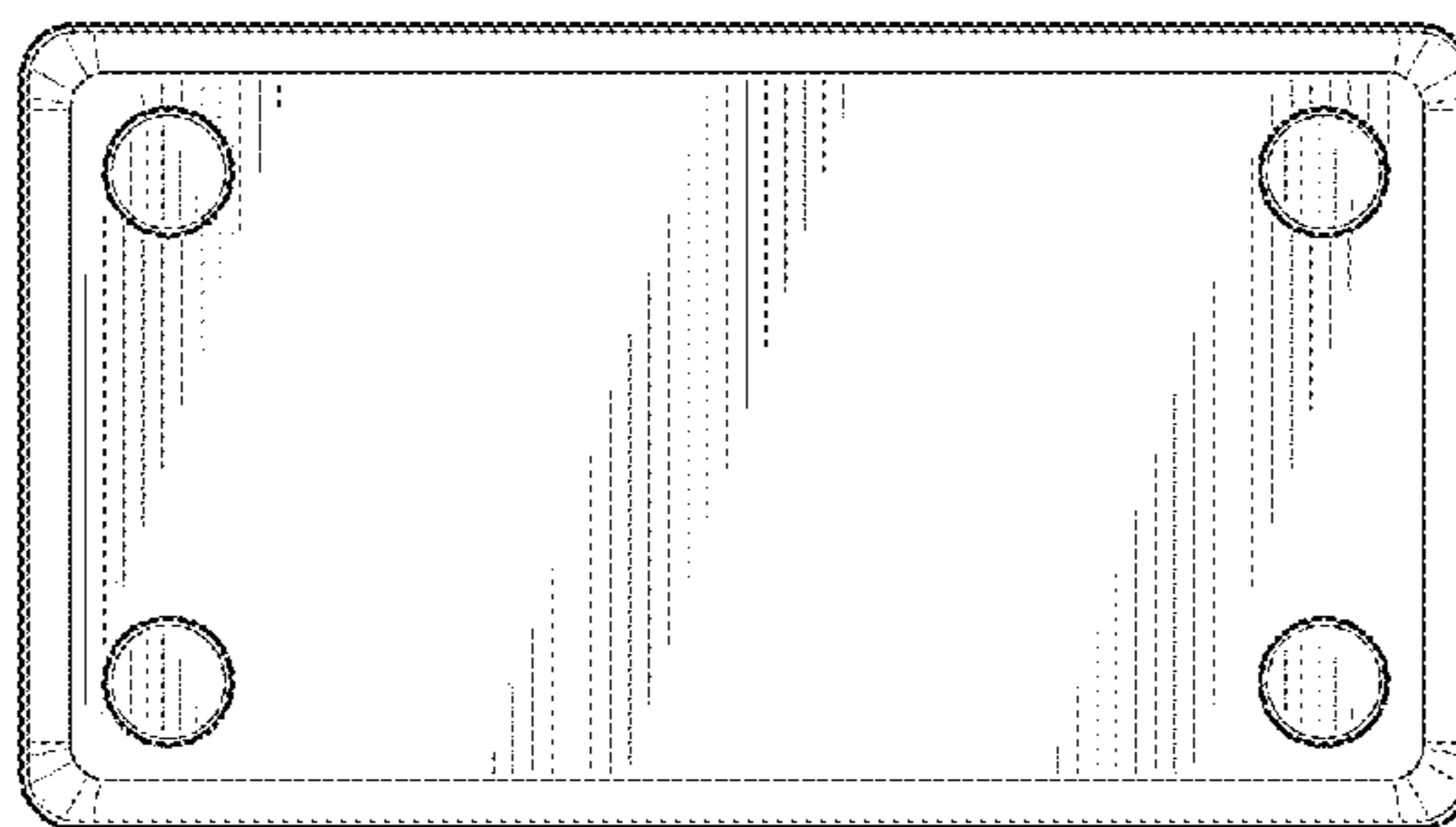


FIG. 7

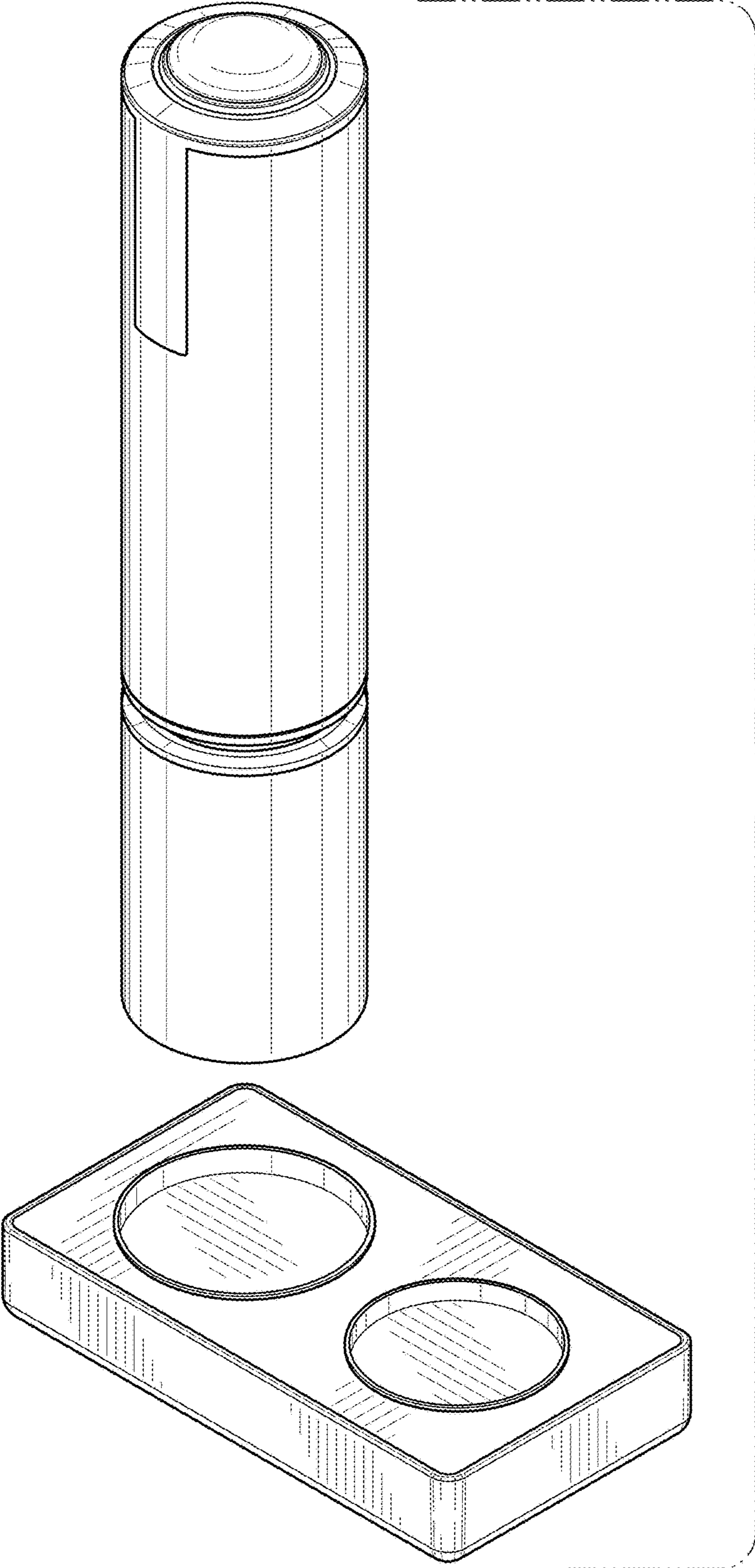


FIG. 8