



US00D808751S

(12) **United States Design Patent** (10) **Patent No.:** **US D808,751 S**  
**Scott** (45) **Date of Patent:** **\*\* Jan. 30, 2018**

(54) **SPARK PLUG SOCKET**

7,117,763 B2\* 10/2006 Powell ..... B25B 13/48  
81/121.1

(71) Applicant: **Steven Richard Scott**, Curlew, WA  
(US)

\* cited by examiner

(72) Inventor: **Steven Richard Scott**, Curlew, WA  
(US)

*Primary Examiner* — Randall H Gholson  
(74) *Attorney, Agent, or Firm* — Larry B. Guernsey;  
Patent Law Office of Larry Guernsey

(73) Assignee: **Motion Pro, INC.**, Loomis, CA (US)

(57) **CLAIM**

(\*\*) Term: **15 Years**

The ornamental design for a spark plug socket, as shown and described.

(21) Appl. No.: **29/584,916**

**DESCRIPTION**

(22) Filed: **Nov. 18, 2016**

(51) **LOC (11) Cl.** ..... **08-05**

(52) **U.S. Cl.**  
USPC ..... **D8/29**

(58) **Field of Classification Search**  
USPC ..... D8/29; 81/60, 177.1, 177.85, 121.1,  
81/124.3, 165-170, 110.1, 176.2, 124.6,  
81/176.1, 176.15, 177.2; 16/110.1  
CPC ..... B25B 13/06  
See application file for complete search history.

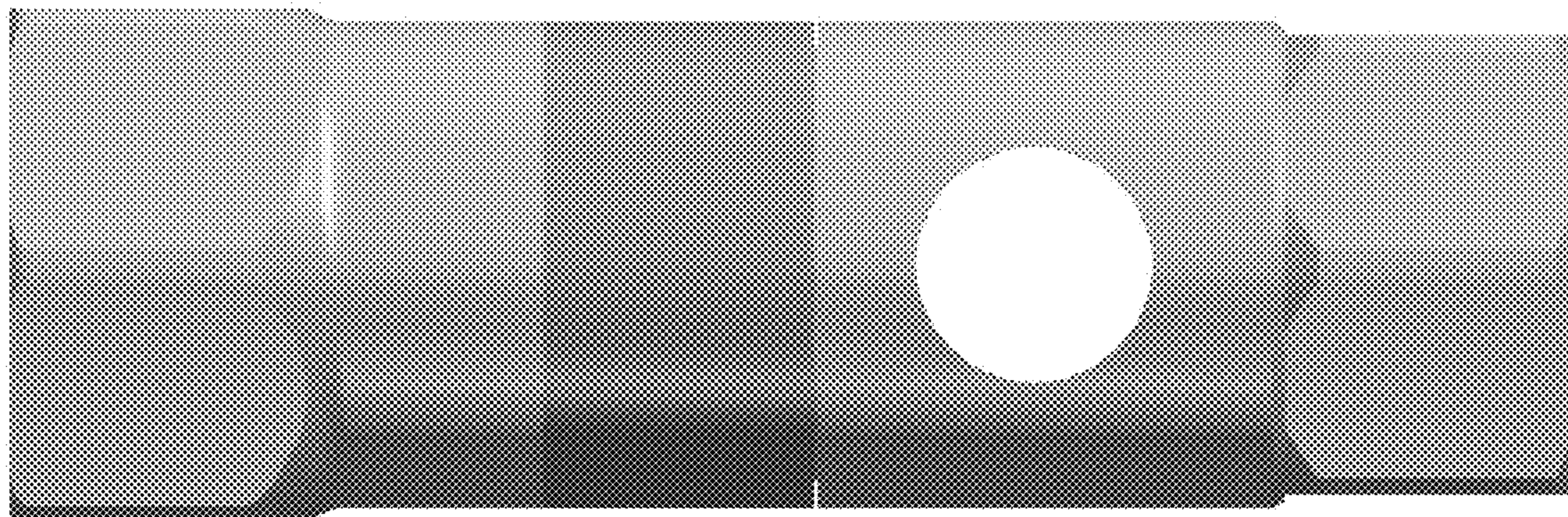
The patent or application file contains at least one drawing executed in color. Copies of this patent or patent application publication with color drawing(s) will be provided by the Office upon request and payment of the necessary fee.  
FIG. 1 is a top view of an ornamental design for a spark plug socket of the present invention;  
FIG. 2 is a back view of an ornamental design for a spark plug socket of the present invention;  
FIG. 3 is a bottom side view of an ornamental design for a spark plug socket of the present invention;  
FIG. 4 is a front view of an ornamental design for a spark plug socket of the present invention;  
FIG. 5 is a left side view of an ornamental design for a spark plug socket of the present invention;  
FIG. 6 is a right side view of an ornamental design for a spark plug socket of the present invention;  
FIG. 7 is a rear end isometric view of an ornamental design for a spark plug socket of the present invention; and,  
FIG. 8 is a front end isometric view of an ornamental design for a spark plug socket of the present invention.

(56) **References Cited**

**U.S. PATENT DOCUMENTS**

5,184,529 A \* 2/1993 Matsubara ..... B25B 13/06  
81/124.5  
6,182,537 B1 \* 2/2001 Vasichok ..... B25B 13/483  
81/121.1  
6,374,708 B1 \* 4/2002 Kunz ..... B25B 13/5091  
81/124.2  
D520,311 S \* 5/2006 Saunders ..... D8/29  
7,040,200 B2 \* 5/2006 Lin ..... B25B 13/005  
81/177.5

**1 Claim, 8 Drawing Sheets**  
**(8 of 8 Drawing Sheet(s) Filed in Color)**



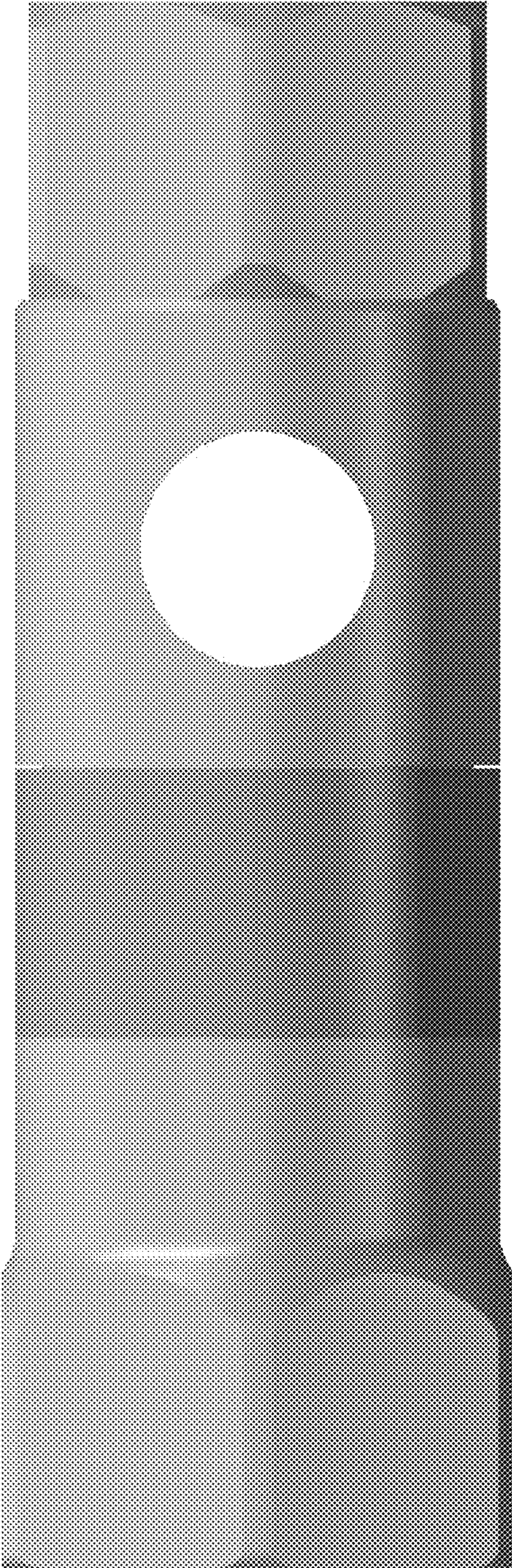


FIGURE 1

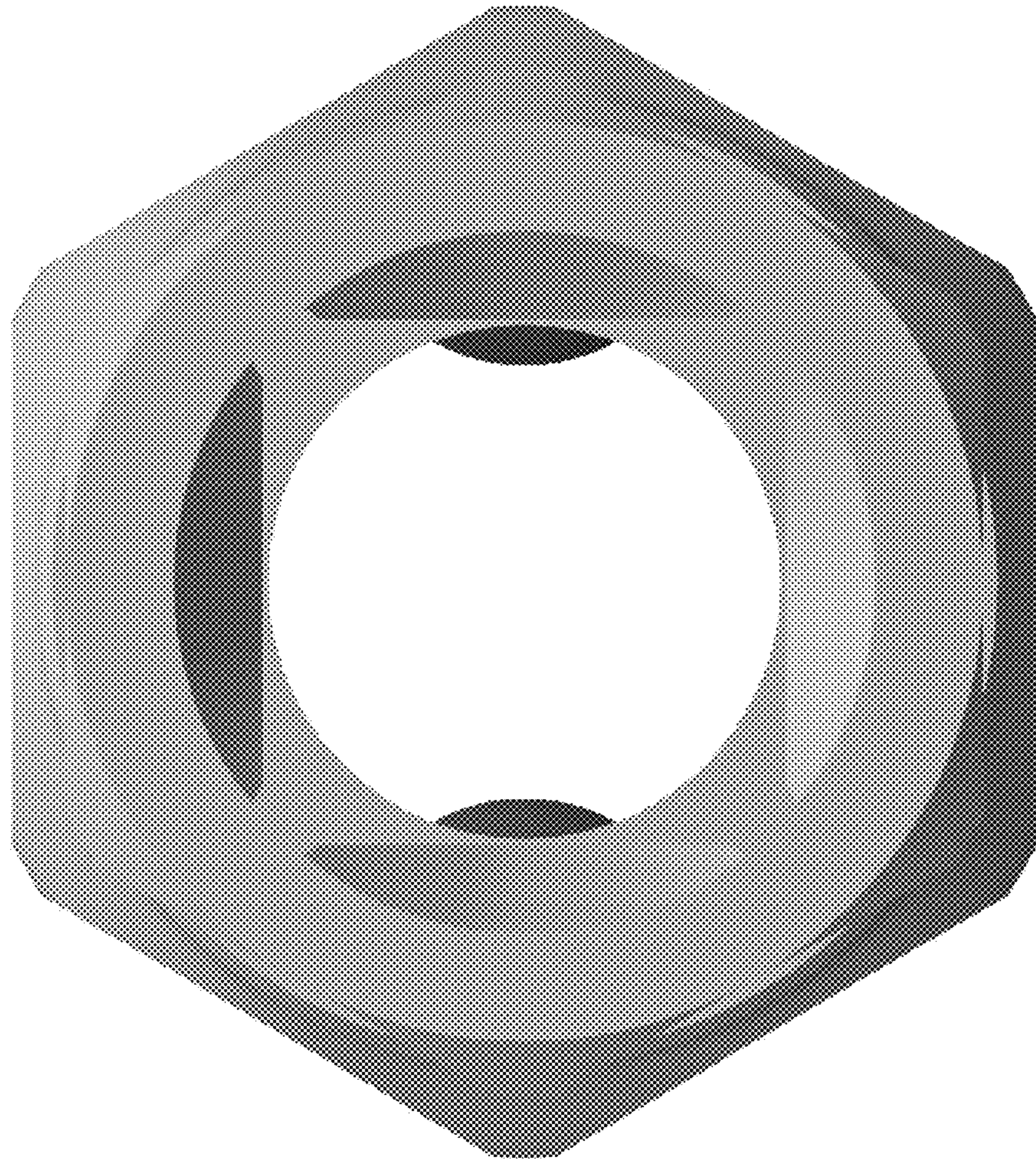


FIGURE 2

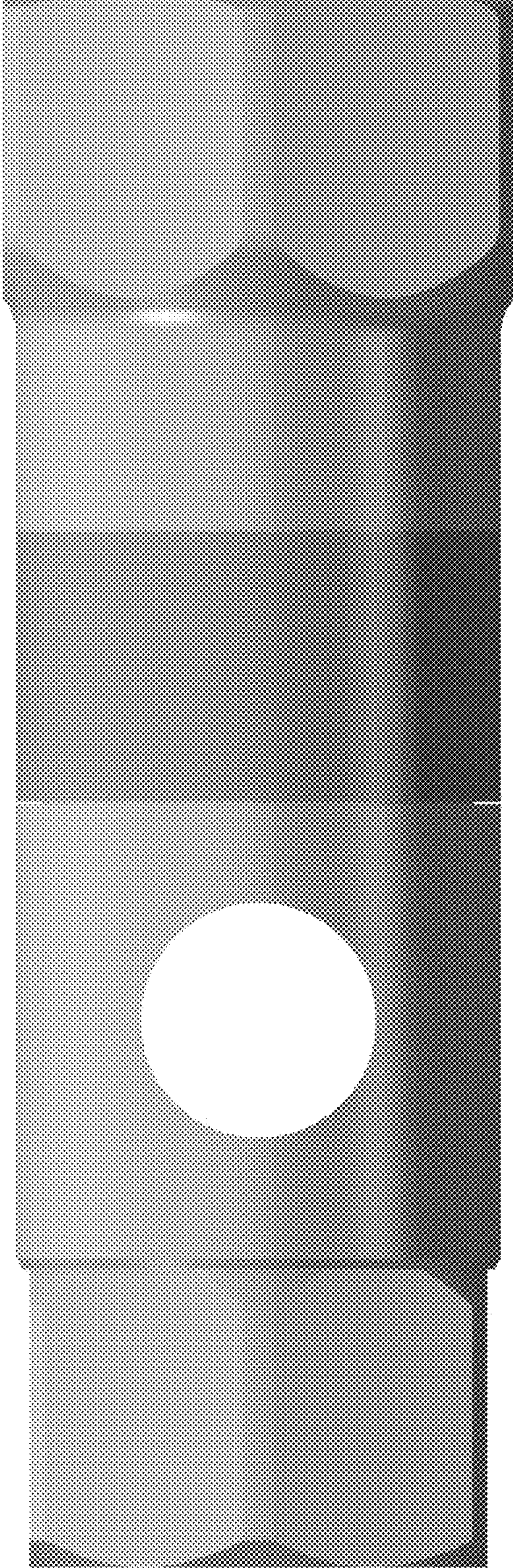


FIGURE 3

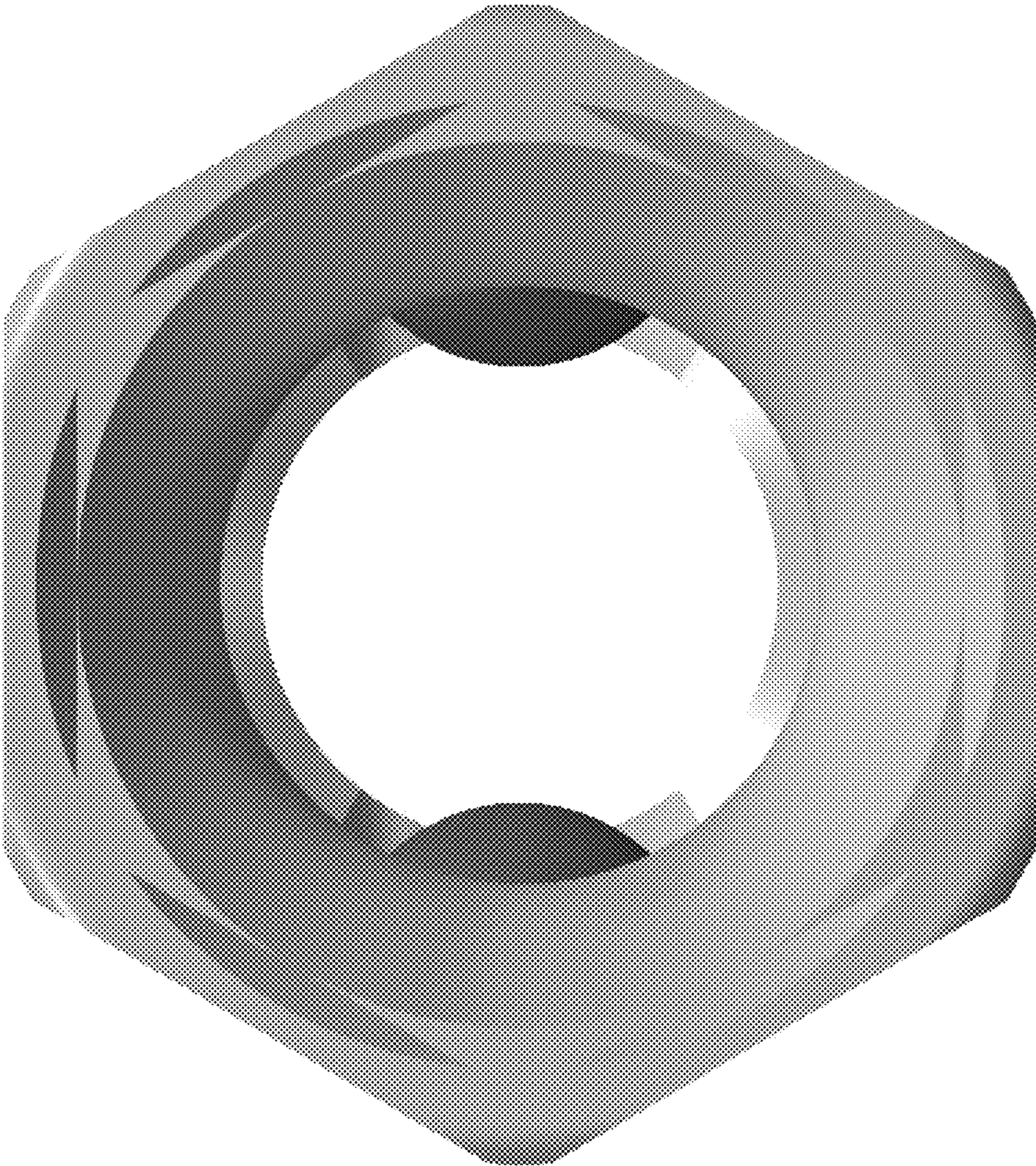


FIGURE 4



FIGURE 5

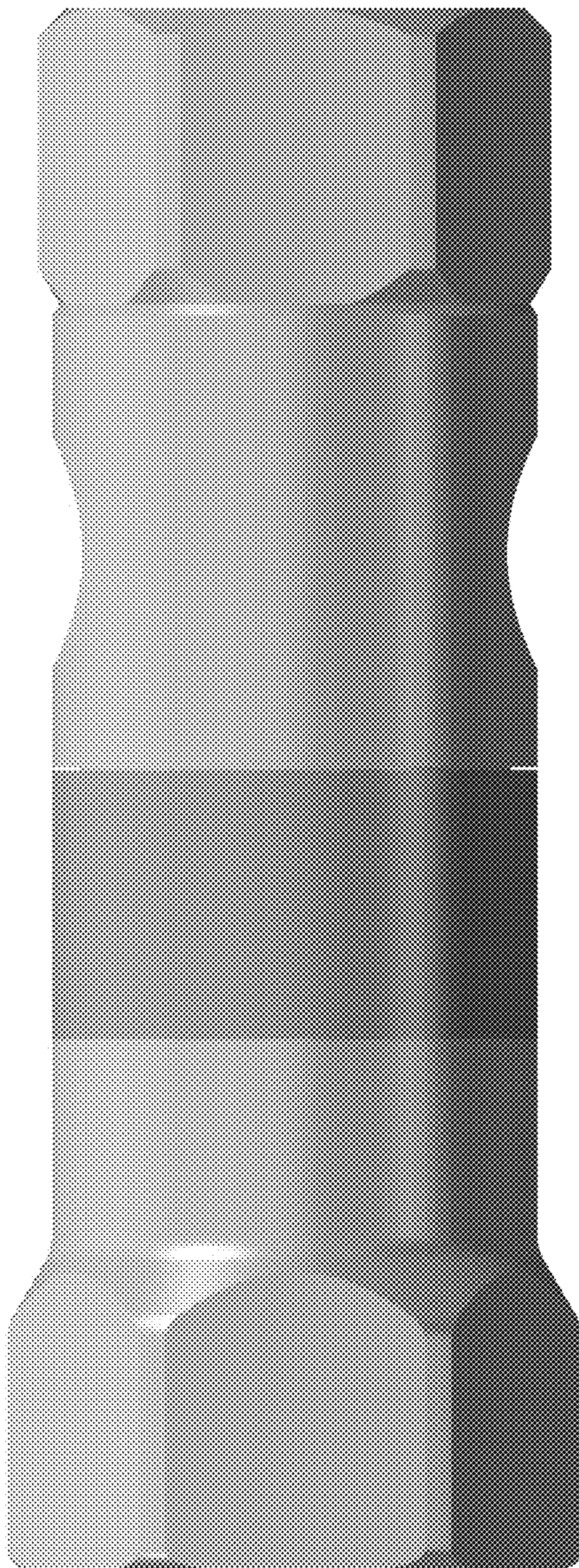


FIGURE 6

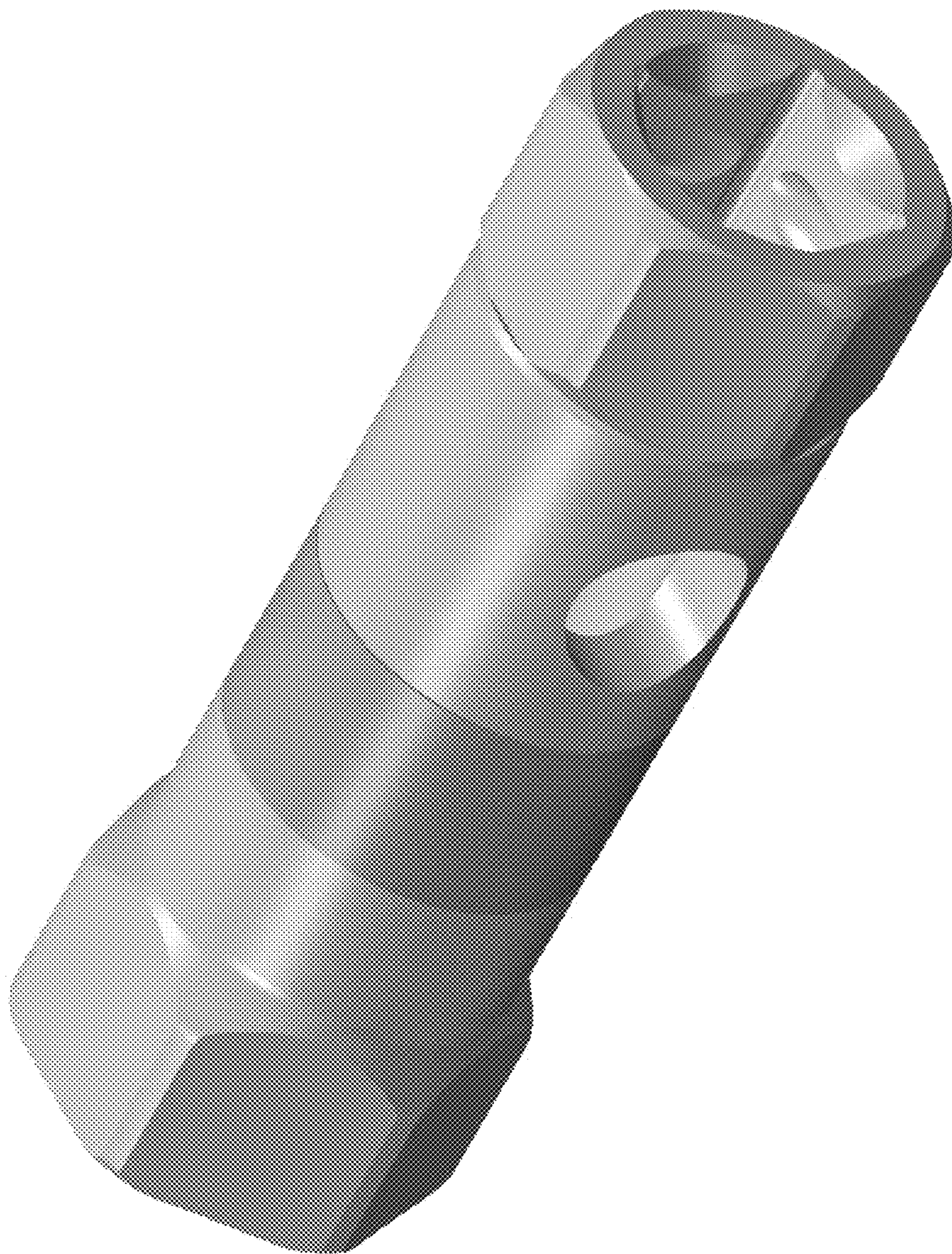


FIGURE 7



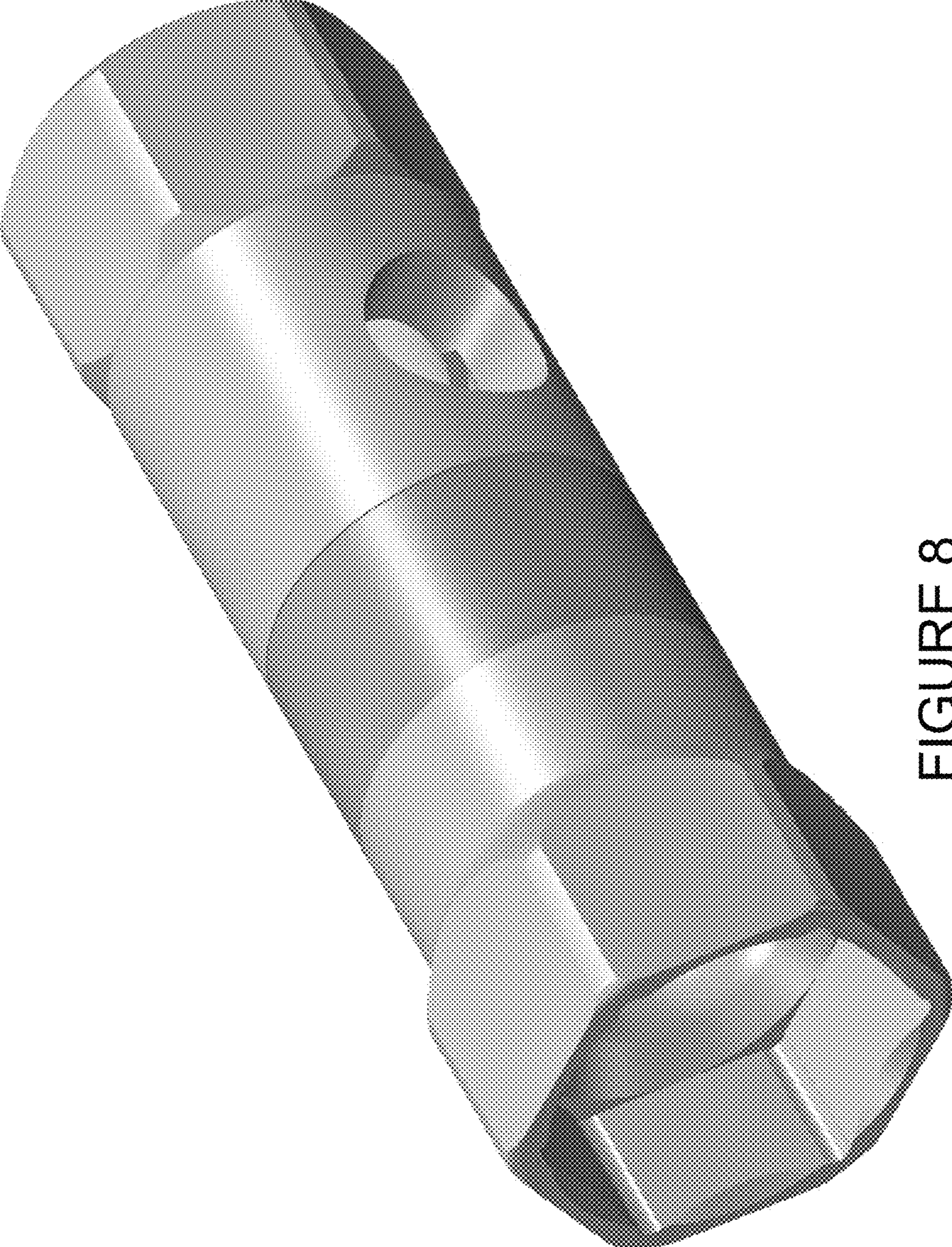


FIGURE 8