



US00D808750S

(12) **United States Design Patent** (10) **Patent No.:** **US D808,750 S**
Gonnerman (45) **Date of Patent:** **** Jan. 30, 2018**

(54) **WOODSMAN WRENCH**

(71) Applicant: **Tobey Gonnerman**, Bristol, NH (US)

(72) Inventor: **Tobey Gonnerman**, Bristol, NH (US)

(**) Term: **15 Years**

(21) Appl. No.: **29/575,888**

(22) Filed: **Aug. 30, 2016**

(51) **LOC (11) Cl.** **08-05**

(52) **U.S. Cl.**
USPC **D8/21**

(58) **Field of Classification Search**
USPC D8/17, 21-29, 52, 55, 81-87, 102-107,
D8/98, 99, 93, 94; 81/119, 121.1, 86,
81/124.2, 125, 125.1, 176.1, 176.2, 177.1,
81/177.2, 177.3, 177.85, 124.3, 124.7,
81/176.3, 179, 160, 3.57, 3.55, 58.4, 186,
81/58.3, 300, 58.1, 60-63.2, 165-170,
81/110.1, 124.6, 176.15, 121.7, 436, 437,
81/166, 177.8, 177.9, 185.1, 3.4, 177.4,
81/492, 57, 58, 13, 177.7, 490, 415-423,
81/427.5; 140/119; 16/422, 186, 429,
16/430; D24/133, 144, 147

CPC B25B 1/00
See application file for complete search history.

(56) **References Cited**

U.S. PATENT DOCUMENTS

6,279,434 B1 * 8/2001 Brown A63C 17/0006
81/177.4
D604,129 S * 11/2009 Gonnerman D8/21
D619,440 S * 7/2010 Schoening D8/71
9,108,765 B1 * 8/2015 Danner B67D 7/84

* cited by examiner

Primary Examiner — Randall H Gholson

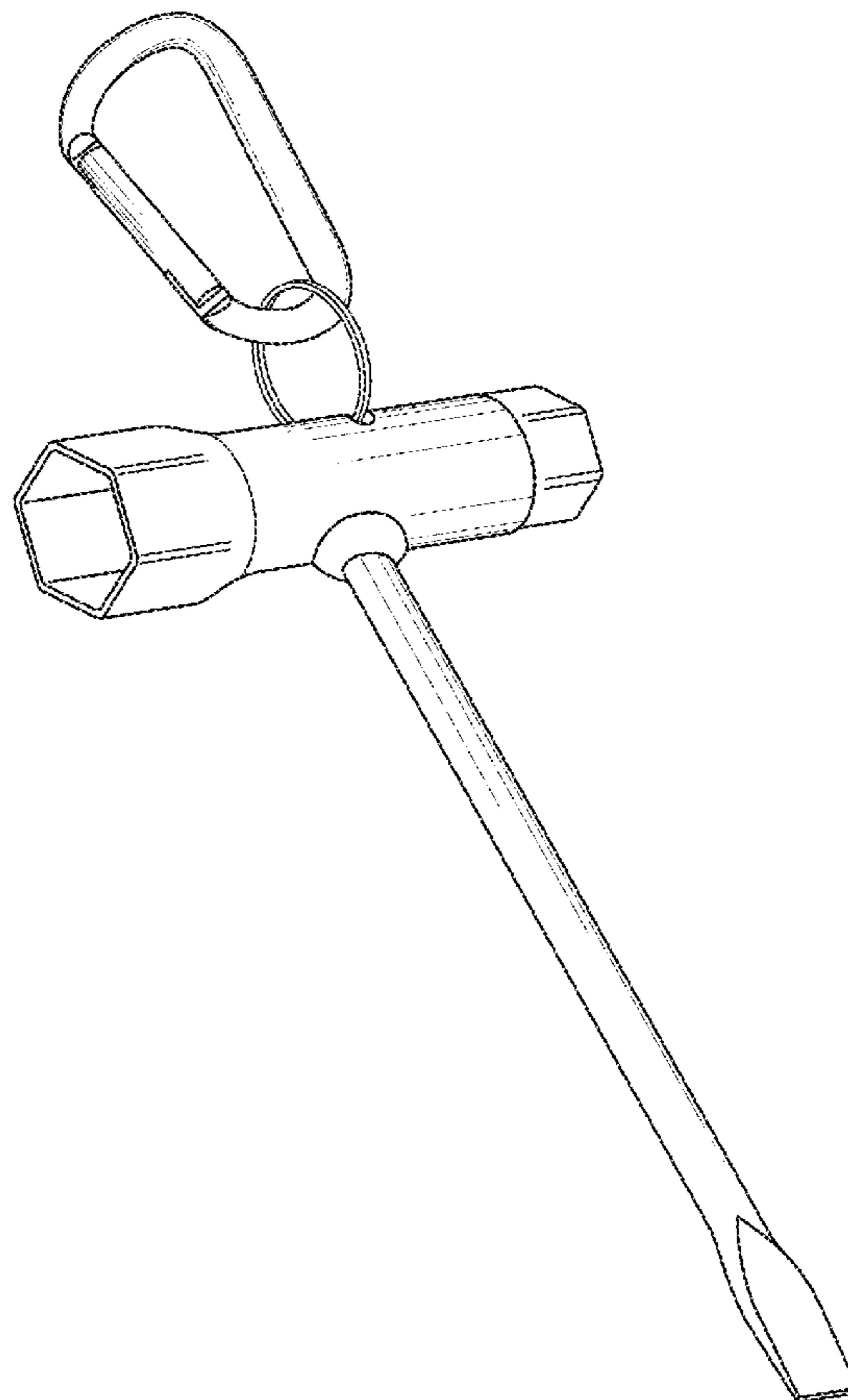
(57) **CLAIM**

The ornamental design for a woodsman's wrench, as shown and described.

DESCRIPTION

FIG. 1 is a front isometric view of the woodsman's wrench, which embodies my design;
FIG. 2 is a right side view of the woodsman's wrench;
FIG. 3 is a left side view of the woodsman's wrench;
FIG. 4 is a front view of the woodsman's wrench;
FIG. 5 is a rear view of the woodsman's wrench;
FIG. 6 is a top plane view of the woodsman's wrench; and,
FIG. 7 is a bottom plane view of the woodsman's wrench.

1 Claim, 4 Drawing Sheets



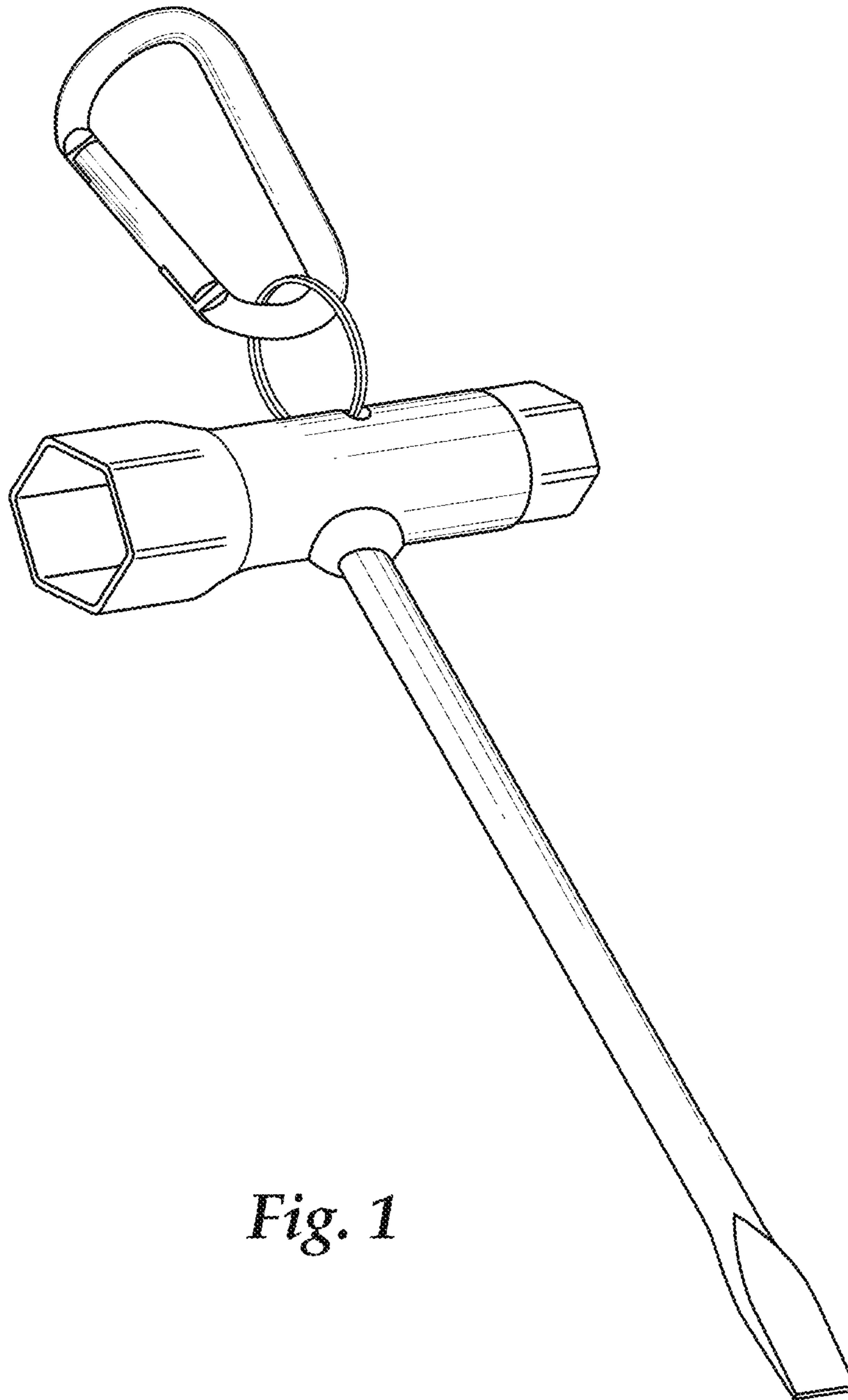


Fig. 1

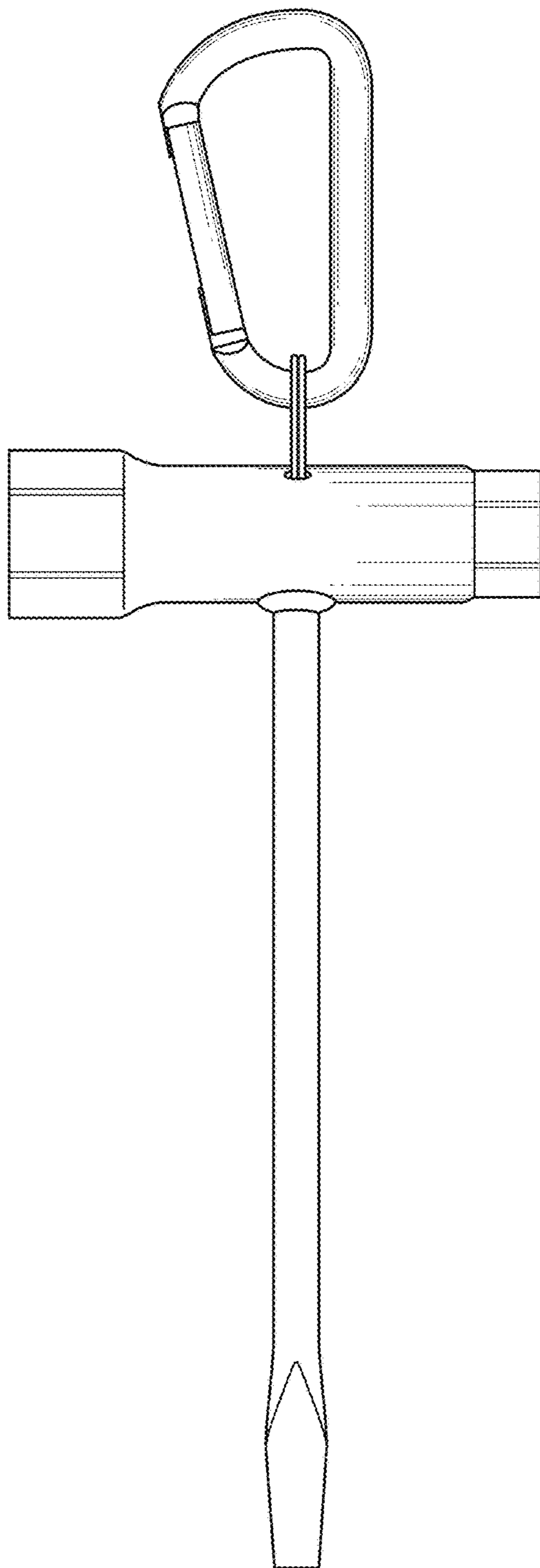


Fig. 2

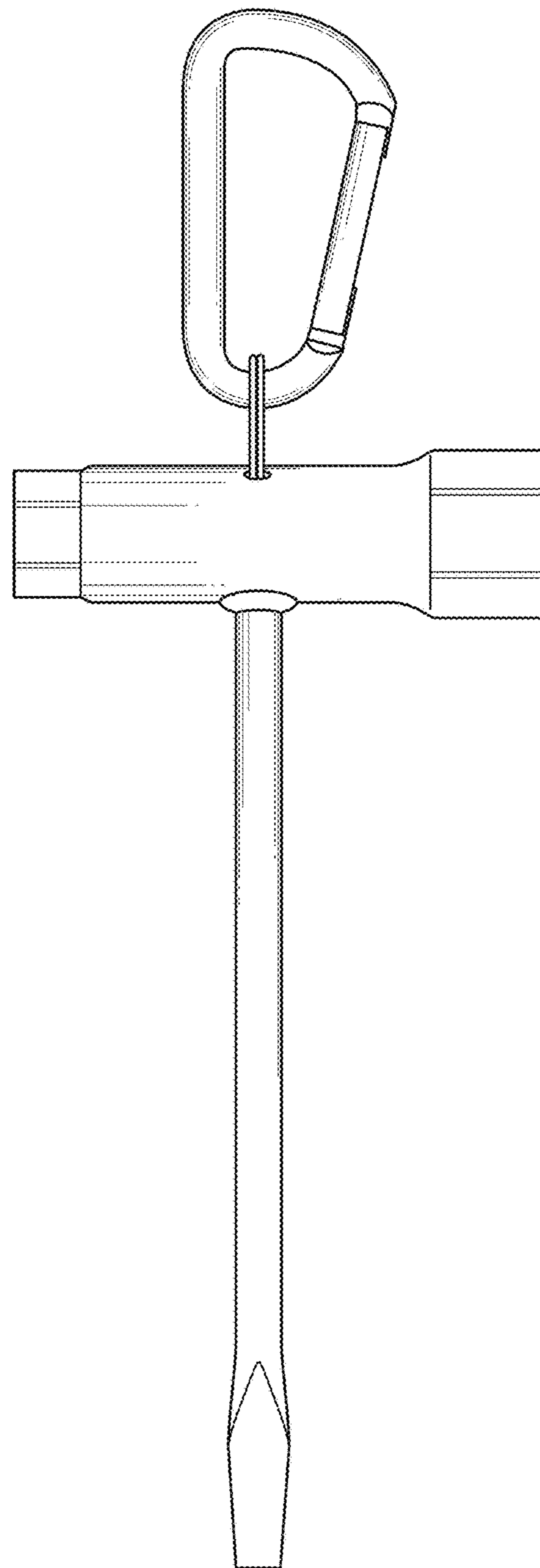


Fig. 3

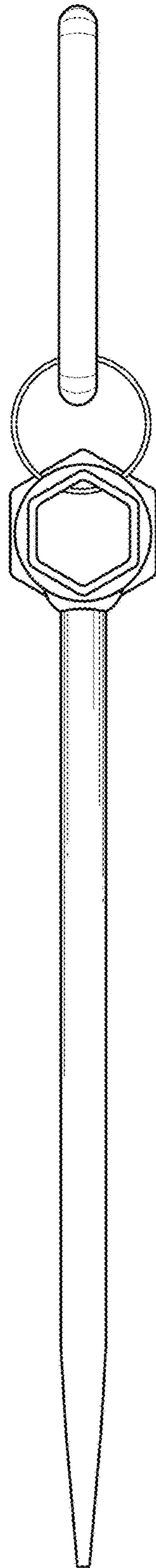


Fig. 4

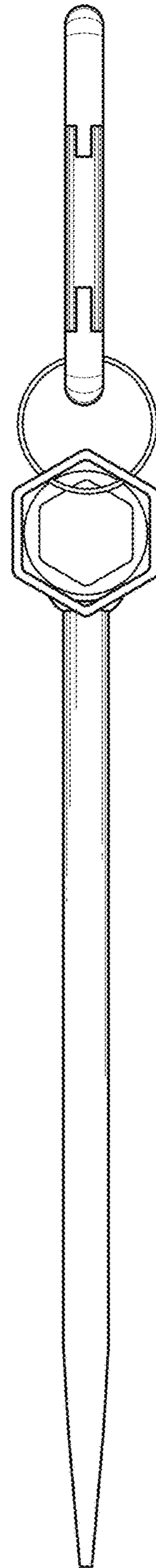


Fig. 5

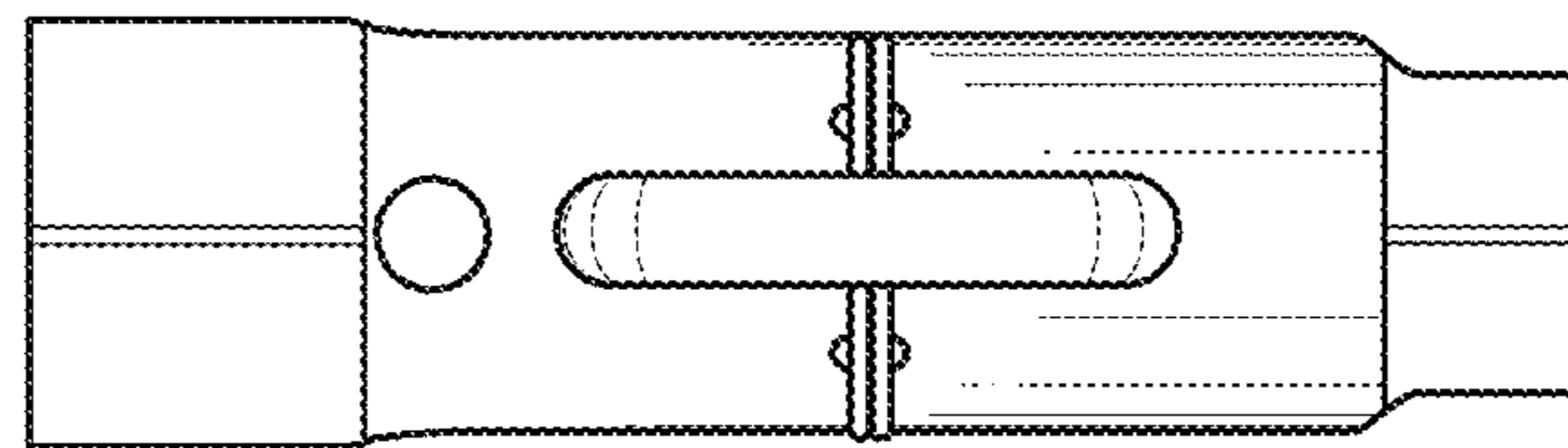


Fig. 6

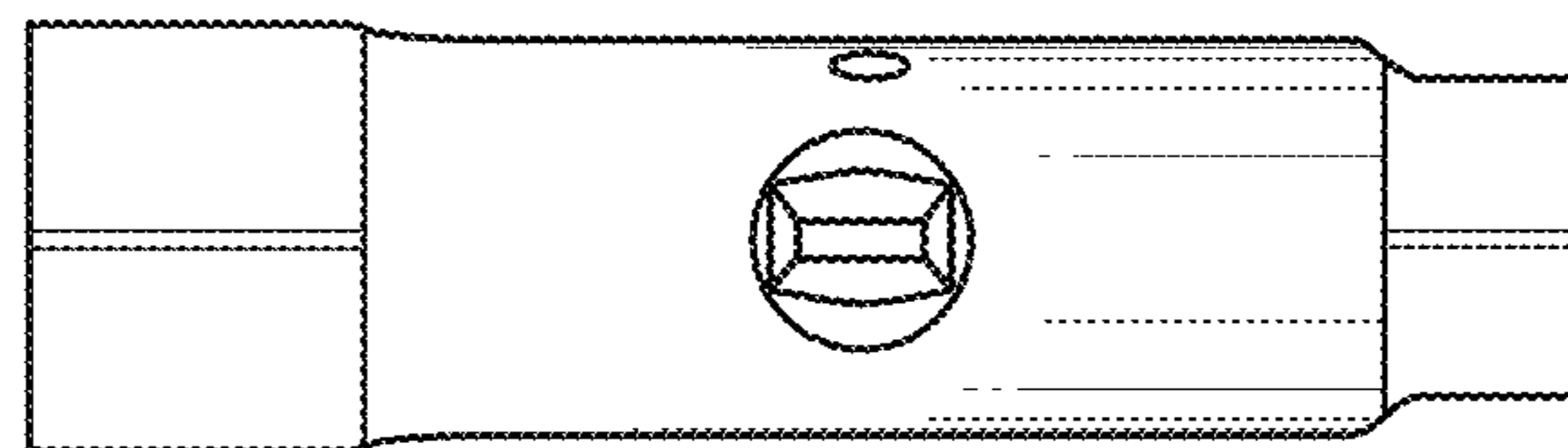


Fig. 7