



US00D808749S

(12) **United States Design Patent**
Wong

(10) **Patent No.:** **US D808,749 S**

(45) **Date of Patent:** **** Jan. 30, 2018**

- (54) **KNIFE BLADE**
- (71) Applicant: **Kingston Wong**, Beech Park, IL (US)
- (72) Inventor: **Kingston Wong**, Beech Park, IL (US)
- (73) Assignee: **KLEIN TOOLS, INC.**, Lincolnshire, IL (US)
- (**) Term: **15 Years**
- (21) Appl. No.: **29/568,341**
- (22) Filed: **Jun. 16, 2016**
- (51) **LOC (11) Cl.** **08-03**
- (52) **U.S. Cl.**
USPC **D8/20**
- (58) **Field of Classification Search**
USPC D7/649, 650, 652, 694; D8/14, 16, 19,
D8/20, 70, 98, 100, 101; D15/139;
D22/118
CPC B23D 61/003; B23D 61/02; B23D 61/12;
B23D 61/121; B23D 61/123; B23D
61/126; B23D 61/128; B23D 49/14;
B23C 5/222; B23C 2200/083; B23C
2200/123; B23C 2200/162; B23C
2200/203; B23C 2200/361
See application file for complete search history.

D385,163 S *	10/1997	Hutchins	D24/146
D406,023 S *	2/1999	Okada	D8/20
D448,634 S *	10/2001	Hickman	B23D 61/126 D8/20
D457,793 S *	5/2002	D'Astous	D8/14
D536,791 S *	2/2007	Eskridge	D24/146
D578,848 S *	10/2008	Camacho	D8/20
D589,772 S *	4/2009	Ping	D8/70
D601,869 S *	10/2009	Nelson	D8/20
D687,275 S *	8/2013	Neitzell	D8/20
D706,099 S *	6/2014	Neitzell	D8/20
9,095,985 B2 *	8/2015	Syrjala	B26B 1/08
D745,350 S *	12/2015	Hampton	D8/20

* cited by examiner

Primary Examiner — Elizabeth Albert

(74) *Attorney, Agent, or Firm* — Peter D. Papavasiliou

(57) **CLAIM**

The ornamental design for a knife blade, as shown and described.

DESCRIPTION

FIG. 1 is a top right front perspective view of a knife blade showing my new design;
 FIG. 2 is a bottom left front perspective view of FIG. 1;
 FIG. 3 is a front elevational view of FIG. 1;
 FIG. 4 is a rear elevational view of FIG. 1;
 FIG. 5 is a bottom plan view of FIG. 1;
 FIG. 6 is a left side elevational view of FIG. 1;
 FIG. 7 is a right side elevational view of FIG. 1; and,
 FIG. 8 is a top plan view of FIG. 1.

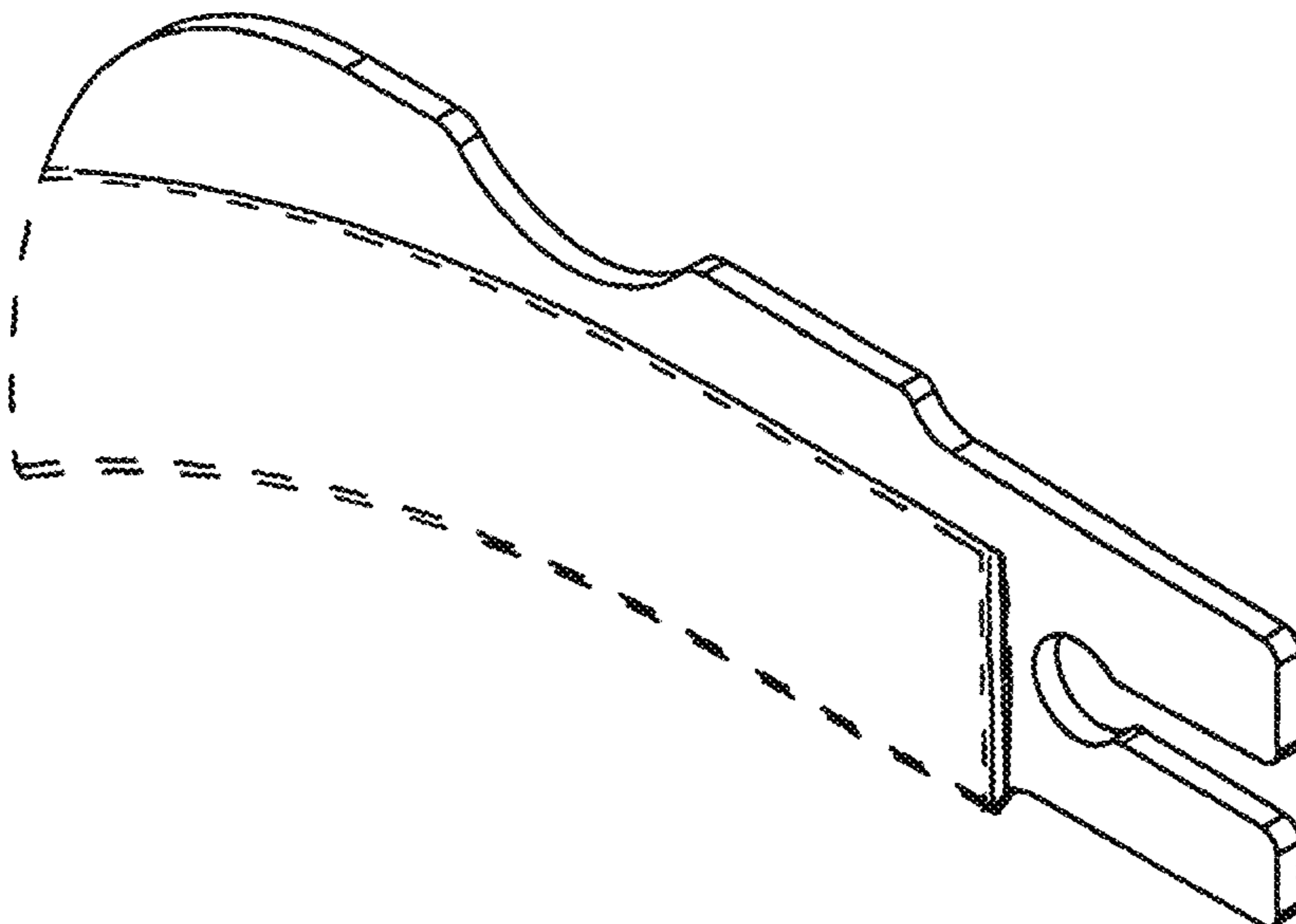
The broken lines in FIGS. 1 to 7 are included to show a portion of the knife blade that forms no part of the claimed design.

1 Claim, 3 Drawing Sheets

(56) **References Cited**

U.S. PATENT DOCUMENTS

D119,400 S *	3/1940	Skelton	D7/652
D156,070 S *	11/1949	Brooks	D22/118
3,028,889 A *	4/1962	McCarty	B23D 61/128 30/166.3
3,616,712 A *	11/1971	Eickhorn	B21K 11/02 30/350
D332,383 S *	1/1993	Hagler	D8/98



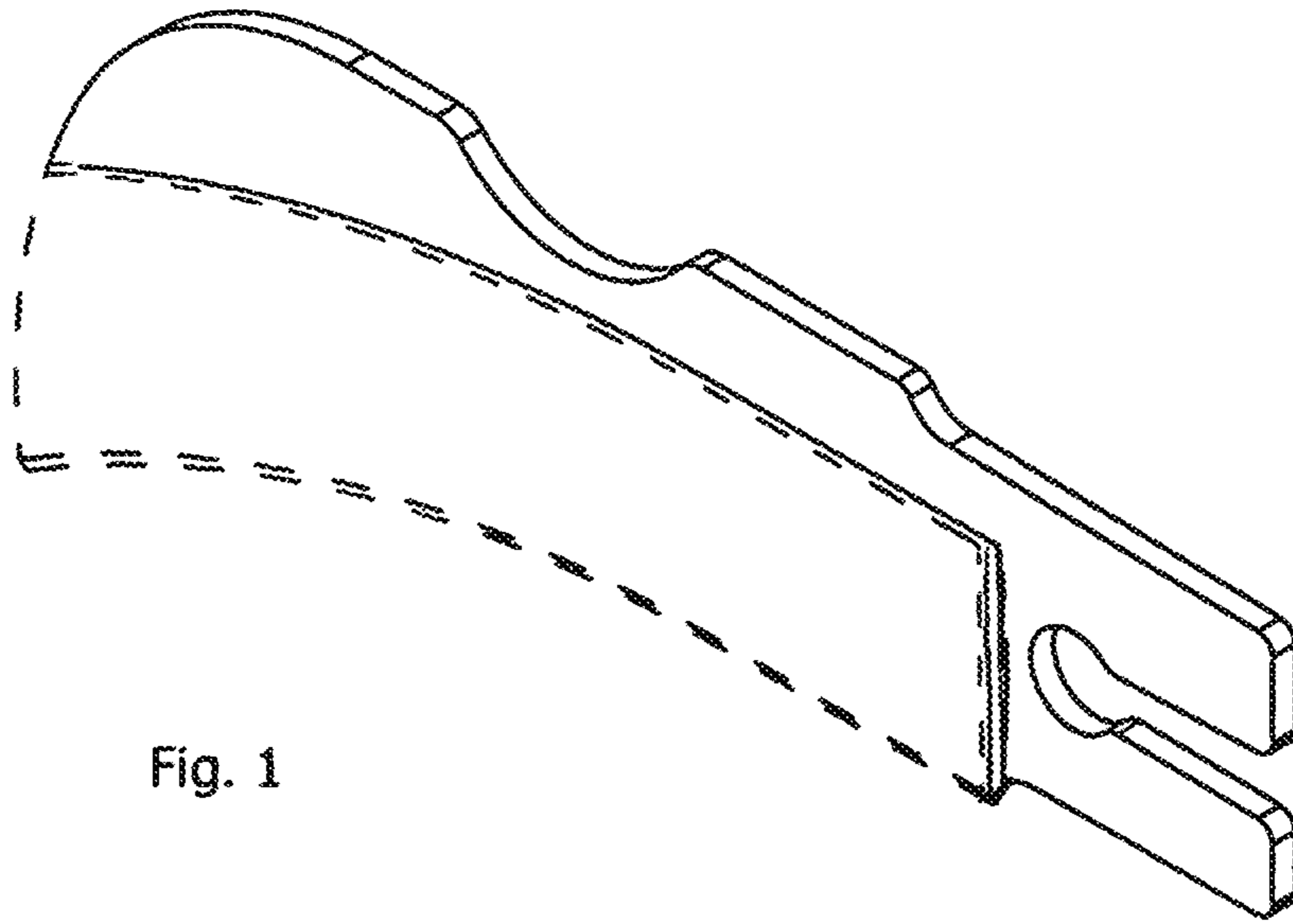


Fig. 1

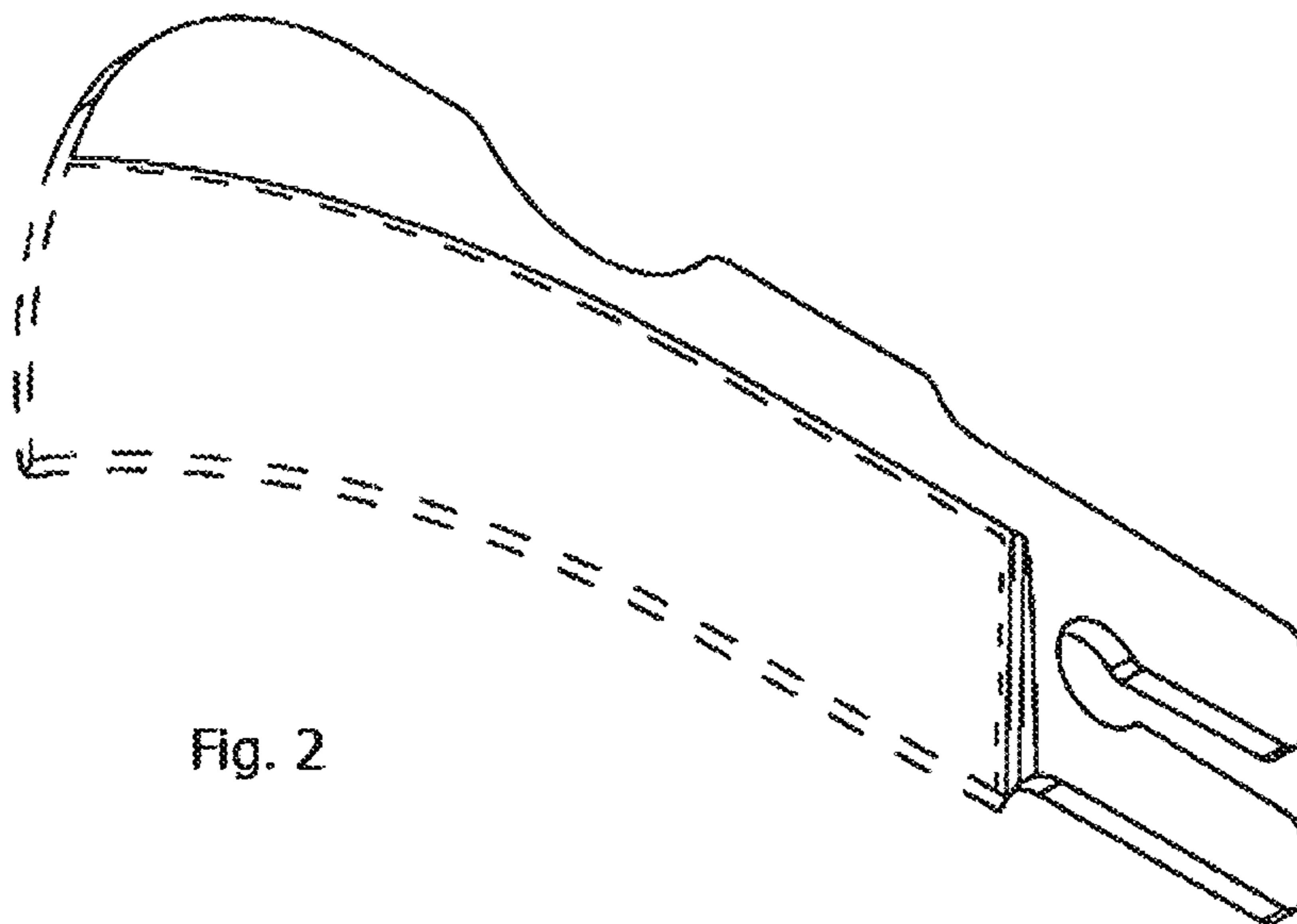


Fig. 2

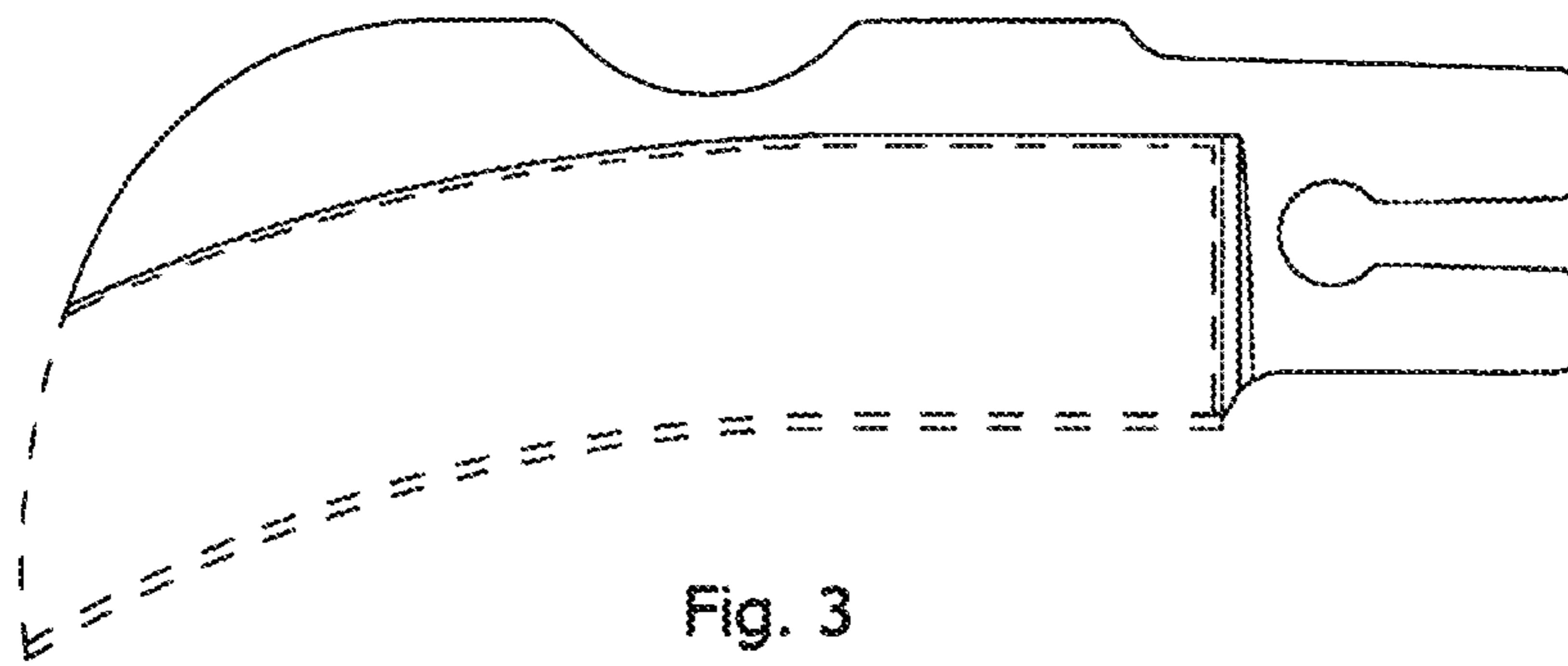


Fig. 3

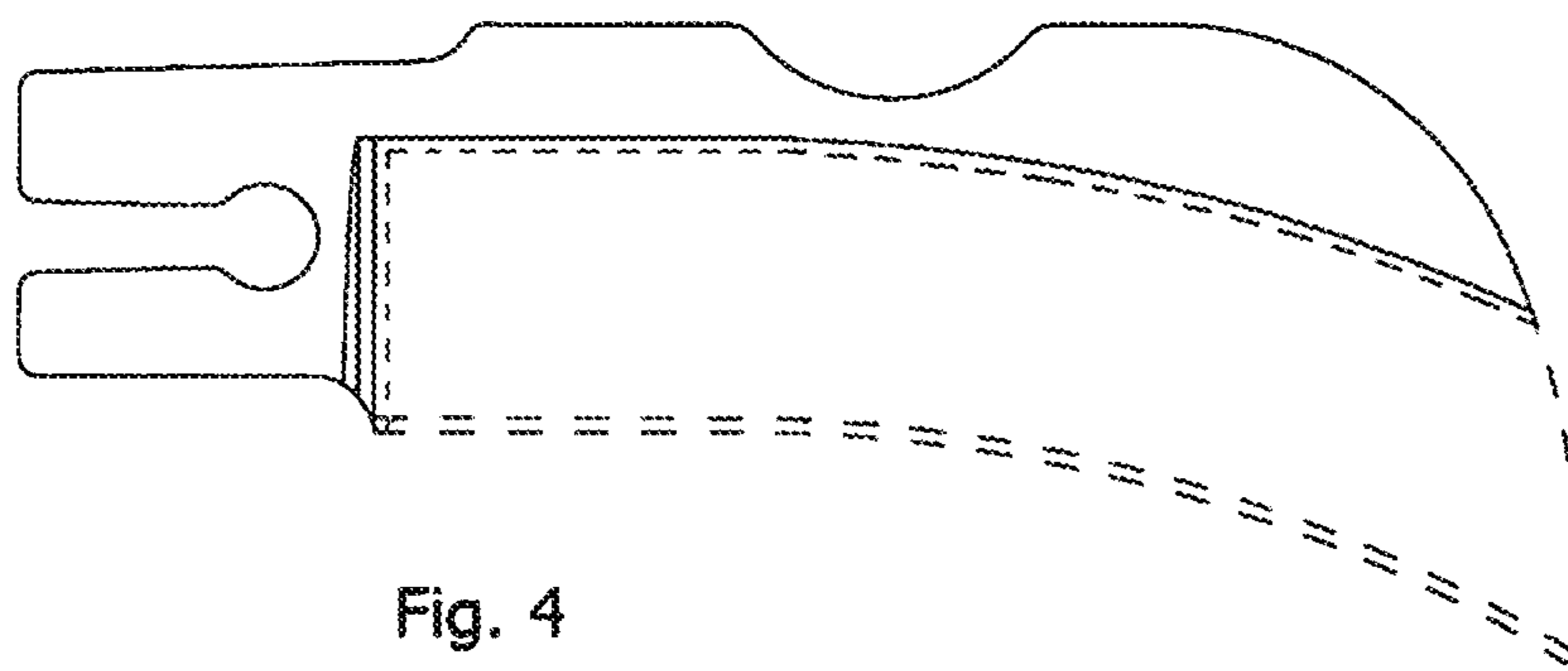


Fig. 4

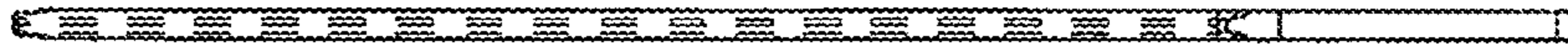


Fig. 5



Fig. 6

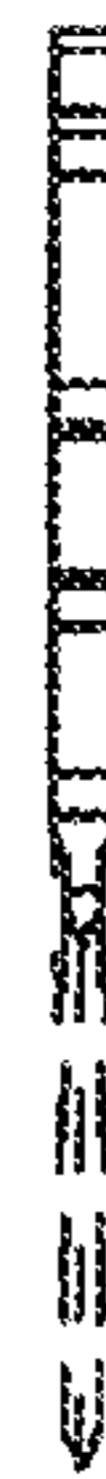


Fig. 7

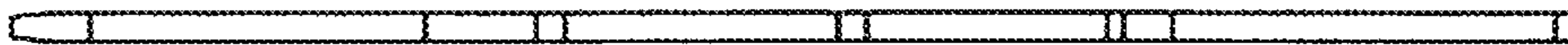


Fig. 8