



US00D808743S

(12) **United States Design Patent** (10) **Patent No.:** **US D808,743 S**
Barber (45) **Date of Patent:** **** Jan. 30, 2018**

(54) **CHAINSAW COVER FOR AN ELECTRIC KNIFE**

(71) Applicant: **LANKIM LLC**, Sanford, FL (US)

(72) Inventor: **Marc M. Barber**, Deltona, FL (US)

(73) Assignee: **Lankim, LLC**, Sanford, FL (US)

(**) Term: **15 Years**

(21) Appl. No.: **29/575,314**

(22) Filed: **Aug. 24, 2016**

(51) **LOC (11) Cl.** **07-03**

(52) **U.S. Cl.**
USPC **D7/646; D8/65**

(58) **Field of Classification Search**
USPC D8/1, 7, 8, 9, 61, 64, 65, 69, 499;
D7/637, 639, 341, 646, 385, 391, 213;
D21/532, 398
CPC A01G 3/06; A01G 3/037; A01G 3/053;
A01G 3/0535; A01G 3/062; A01G 3/086;
B27B 17/00; B27B 17/08; B27B 17/0008;
B26B 7/00; B26B 7/005
See application file for complete search history.

(56) **References Cited**

U.S. PATENT DOCUMENTS

D208,083 S *	7/1967	Peterson	D7/646
3,549,844 A *	12/1970	Chambers	B26B 7/005
				200/522
3,861,039 A *	1/1975	Truax	B26B 7/005
				30/277.4
D313,538 S *	1/1991	Fushiya	D8/8
D314,691 S *	2/1991	Gebhardt	D7/646
5,473,820 A *	12/1995	Neubert	B23D 49/006
				30/369
D385,766 S *	11/1997	Kondo	D8/65
D411,785 S *	7/1999	Uemura	D7/646
D482,943 S *	12/2003	Chunn	D8/8

D497,521 S *	10/2004	Leverrier	D7/646
D522,818 S *	6/2006	Andriolo	D8/8
D706,591 S *	6/2014	Kosugi	D8/8
D755,033 S *	5/2016	Zhou	D8/65
D776,501 S *	1/2017	Tinius	D8/8
2014/0116737 A1 *	5/2014	Iwata	B24B 23/005
				173/20
2016/0346953 A1 *	12/2016	Lee	B27B 17/14
2017/0080506 A1 *	3/2017	Jagenstedt	B27B 17/00
2017/0127619 A1 *	5/2017	Roskamp	A01G 3/053

* cited by examiner

Primary Examiner — Sandra S Snapp

Assistant Examiner — Ieisha N Price

(74) *Attorney, Agent, or Firm* — Michael L. Leetzow, P.A.

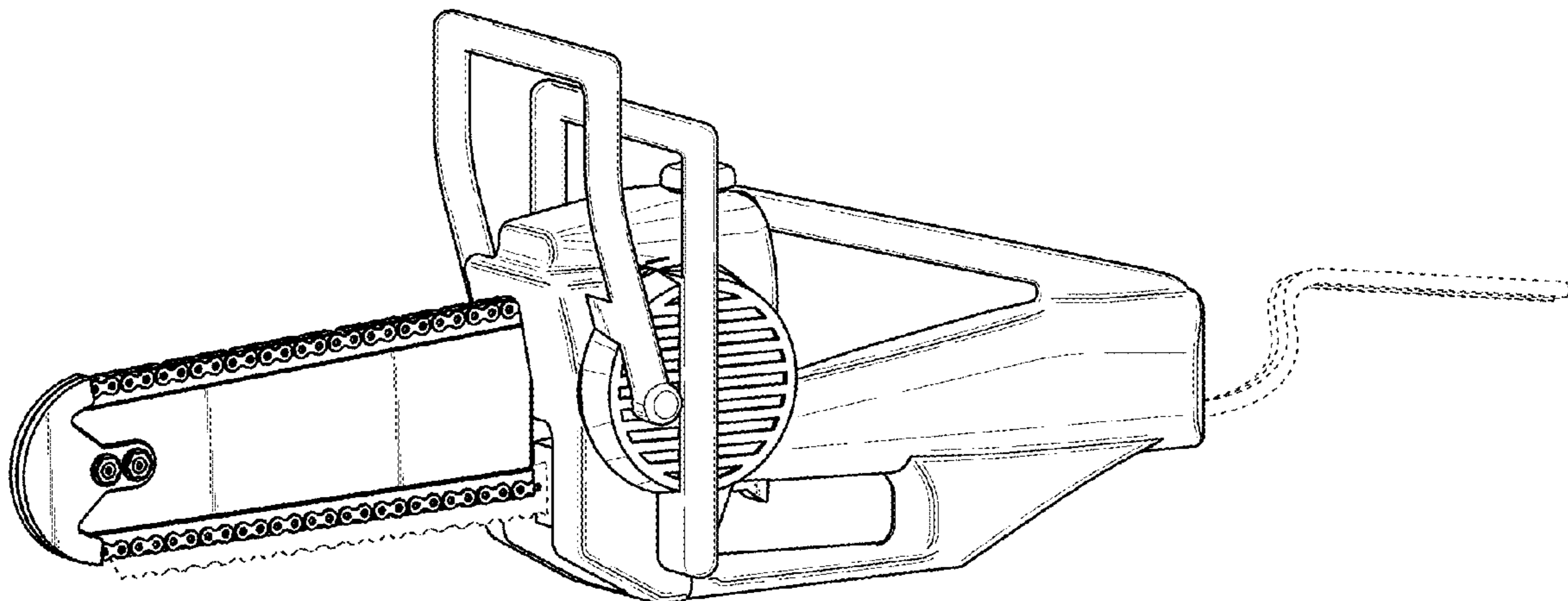
(57) **CLAIM**

The ornamental design for a chainsaw cover for an electric knife, as shown and described.

DESCRIPTION

FIG. 1 is a left side perspective view of a chainsaw cover for an electric knife showing my new design; FIG. 2 is a front view of the chainsaw cover for an electric knife shown in FIG. 1; FIG. 3 is a rear view of the chainsaw cover for an electric knife shown in FIG. 1; FIG. 4 is a right side view of the chainsaw cover for an electric knife shown in FIG. 1; FIG. 5 is a left side view of the chainsaw cover for an electric knife shown in FIG. 1; FIG. 6 is a top side view of the chainsaw cover for an electric knife shown in FIG. 1; and, FIG. 7 is a bottom side view of the chainsaw cover for an electric knife shown in FIG. 1. The broken lines showing portions of the design in the figures are included for the purpose of showing features that form no part of the claimed design.

1 Claim, 6 Drawing Sheets



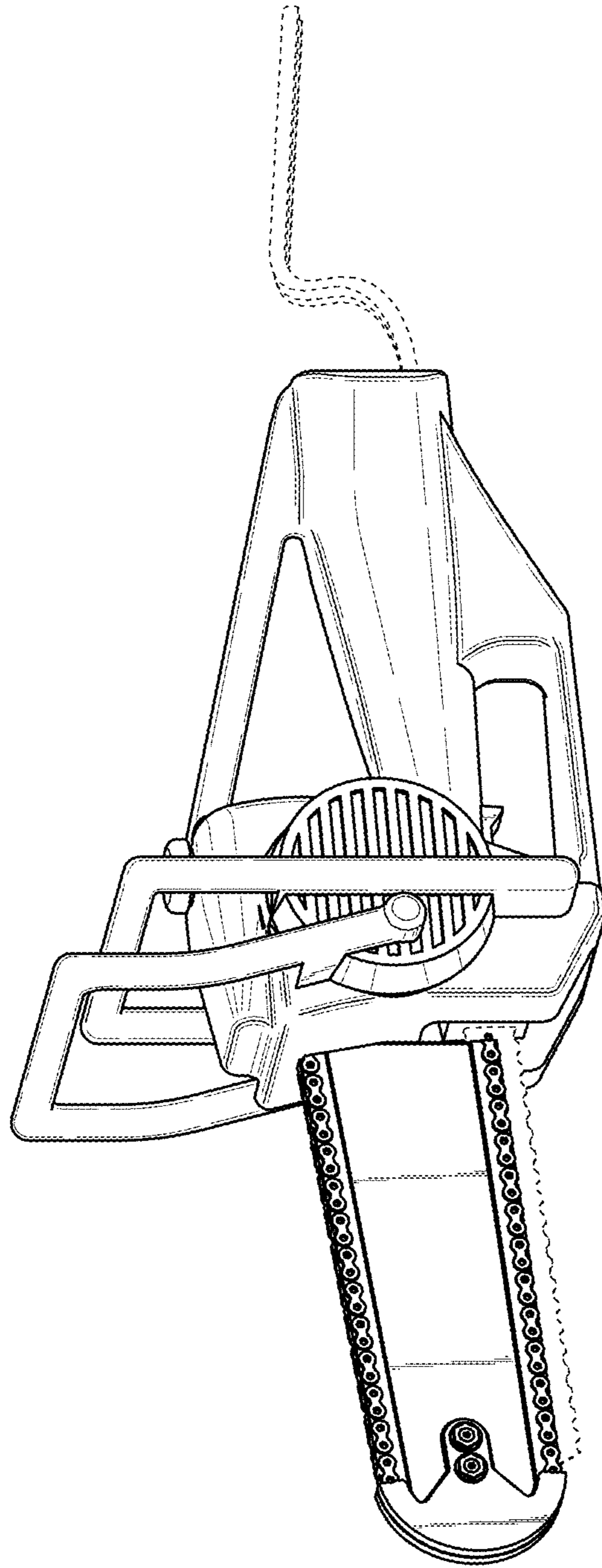


Fig. 1

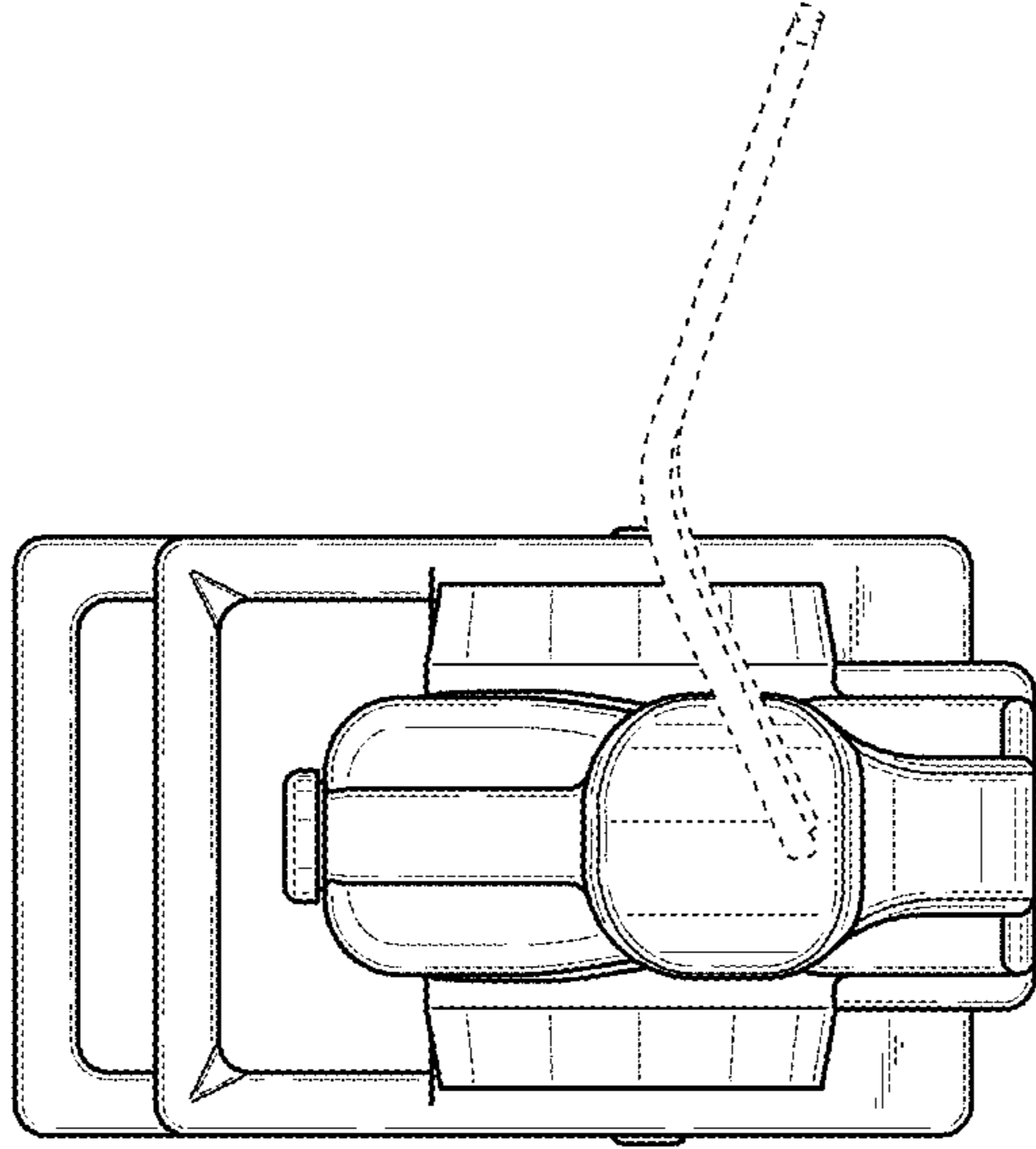


Fig. 3

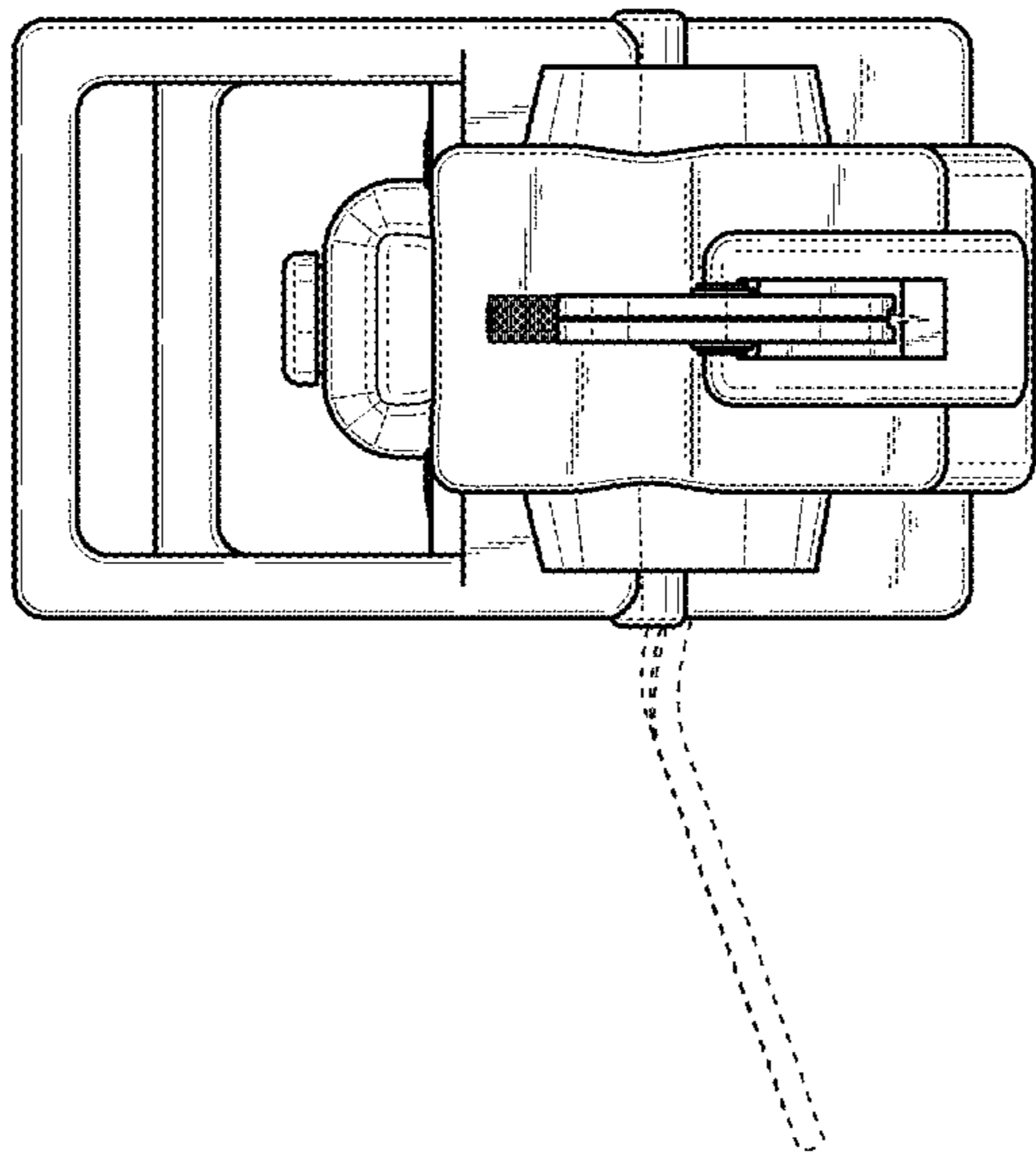


Fig. 2

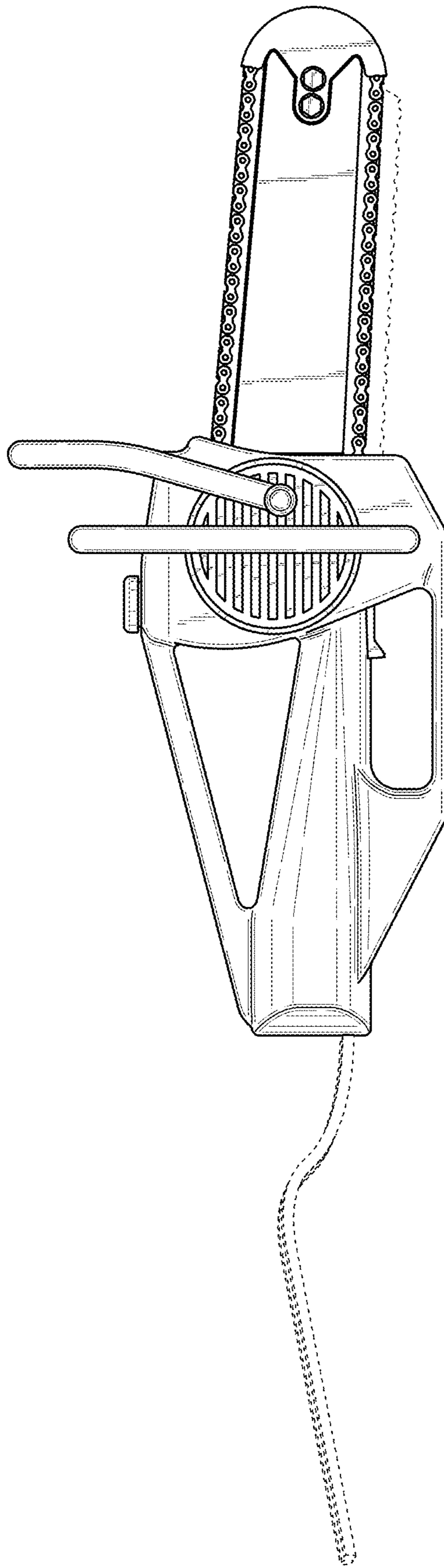


Fig. 4

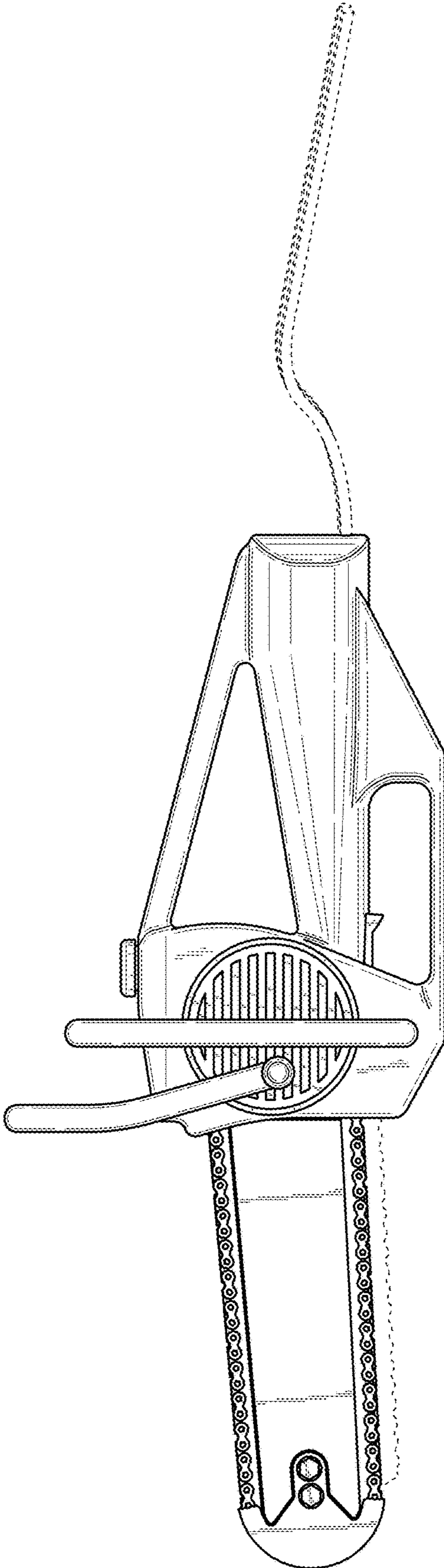


Fig. 5

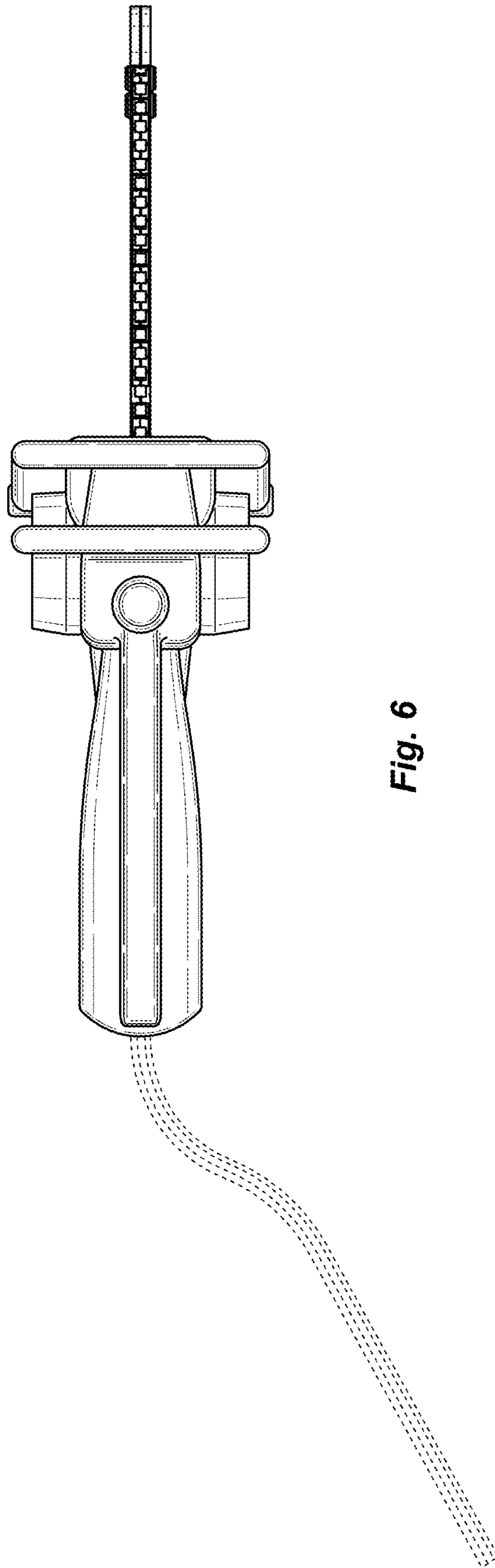


Fig. 6

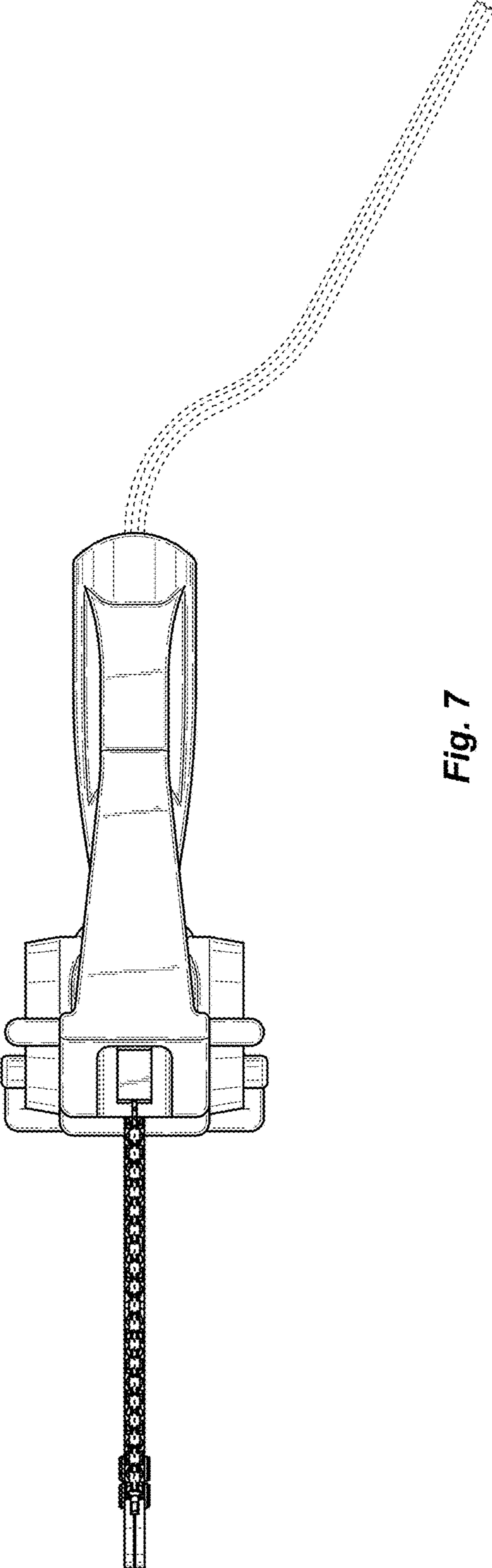


Fig. 7