



US00D808741S

(12) **United States Design Patent**
Wong

(10) **Patent No.:** **US D808,741 S**
(45) **Date of Patent:** **** Jan. 30, 2018**

(54) **PORTABLE SALAD MAKER**

D774,365 S * 12/2016 Shamoon D7/642

(71) Applicant: **Yan Kwong Wong**, Hong Kong (HK)

* cited by examiner

(72) Inventor: **Yan Kwong Wong**, Hong Kong (HK)

Primary Examiner — Wan Laymon
Assistant Examiner — Mark Booker

(**) Term: **15 Years**

(21) Appl. No.: **29/579,792**

(22) Filed: **Oct. 4, 2016**

(57) **CLAIM**

(30) **Foreign Application Priority Data**

The ornamental design for a portable salad maker, as shown and described.

Apr. 29, 2016 (HK) 1600814.4

(51) **LOC (11) Cl.** **07-01**

(52) **U.S. Cl.**

USPC **D7/629**

(58) **Field of Classification Search**

USPC D7/629, 500, 538-542, 545, 586, 587,
D7/601, 602, 608, 612-615, 630;
D3/273, 302; D9/500, 502, 503-504,
D9/742, 745-746; 62/371, 372,
62/457.1-457.9; 220/495.02, 495.03,
220/573.1, 592.16, 592.17, 592.2, 592.21,
220/592.22, 592.28, 660, 669-673, 675,
220/912, 915.1

CPC B65D 11/04; B65D 2205/02; A61J 9/001
See application file for complete search history.

DESCRIPTION

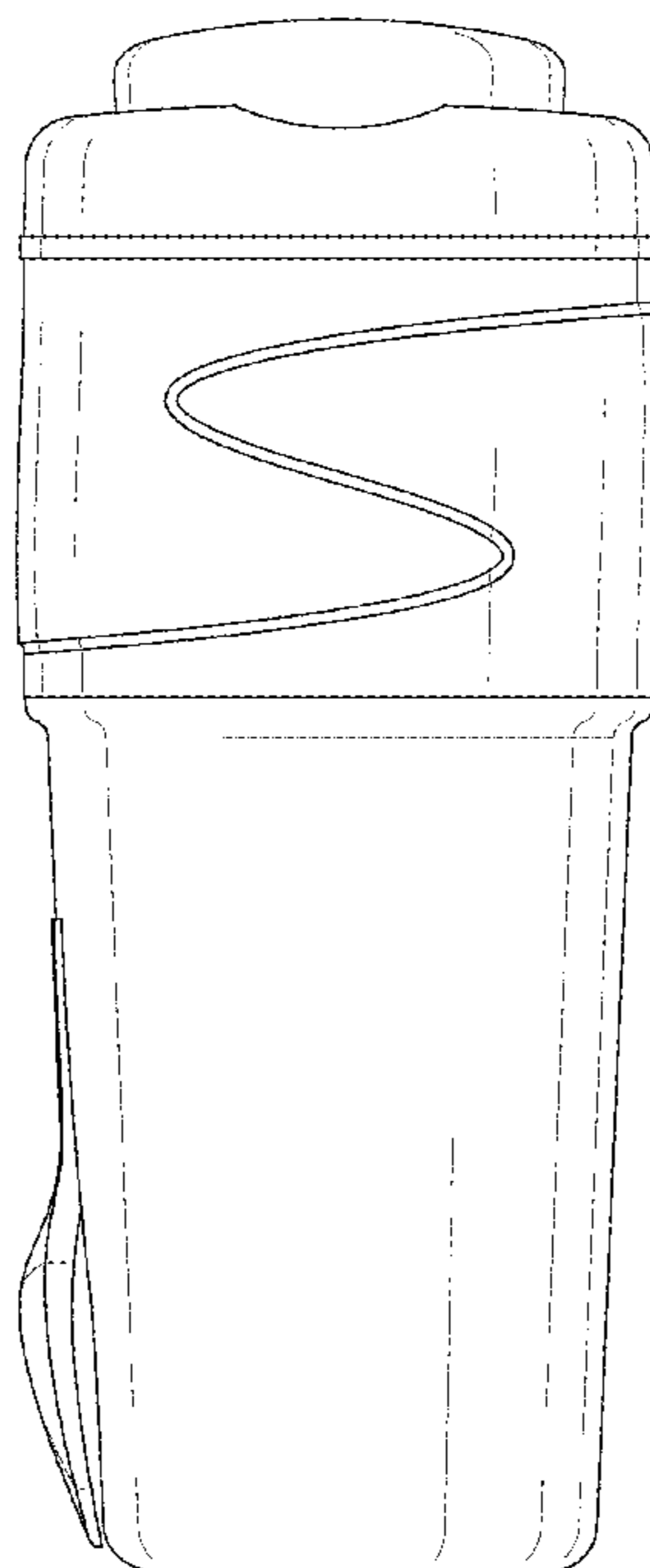
FIG. 1 is a front elevational view of a portable salad maker showing my new design;
FIG. 2 is a left side view thereof;
FIG. 3 is a right side view thereof;
FIG. 4 is a rear elevational view thereof;
FIG. 5 is a top plan view thereof;
FIG. 6 is a bottom plan view thereof;
FIG. 7 is a perspective view thereof;
FIG. 8 is another perspective view thereof;
FIG. 9 is a first exploded view thereof;
FIG. 10 is a second exploded view thereof;
FIG. 11 is a third exploded view thereof;
FIG. 12 is a fourth exploded view thereof; and,
FIG. 13 is a fifth exploded view thereof.
The broken line in FIG. 13 illustrates how a fork is coupled with the portable salad maker, and forms no part of the claimed design.

(56) **References Cited**

U.S. PATENT DOCUMENTS

D432,367 S * 10/2000 Segura D7/608
D660,655 S * 5/2012 Wahl D7/608
D774,362 S * 12/2016 Wahl B65D 25/28
D7/608

1 Claim, 13 Drawing Sheets



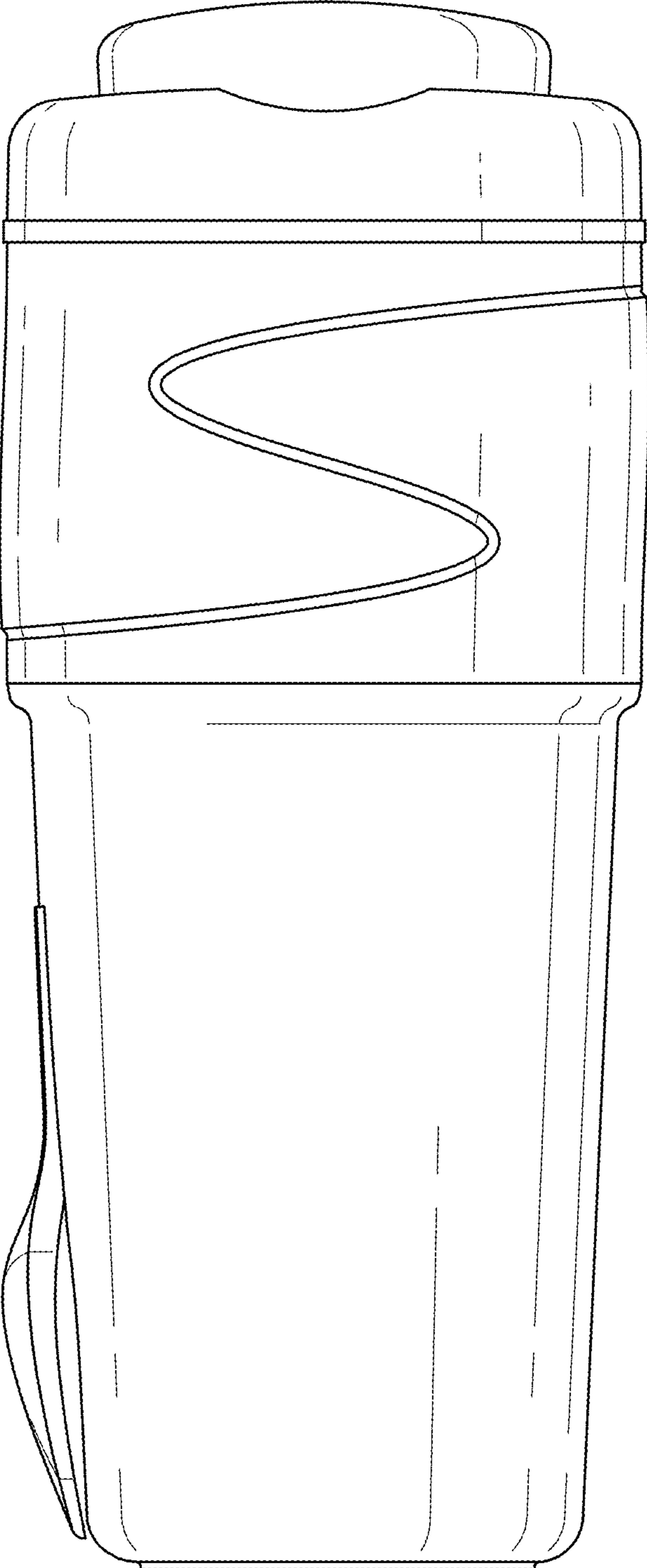


Fig. 1

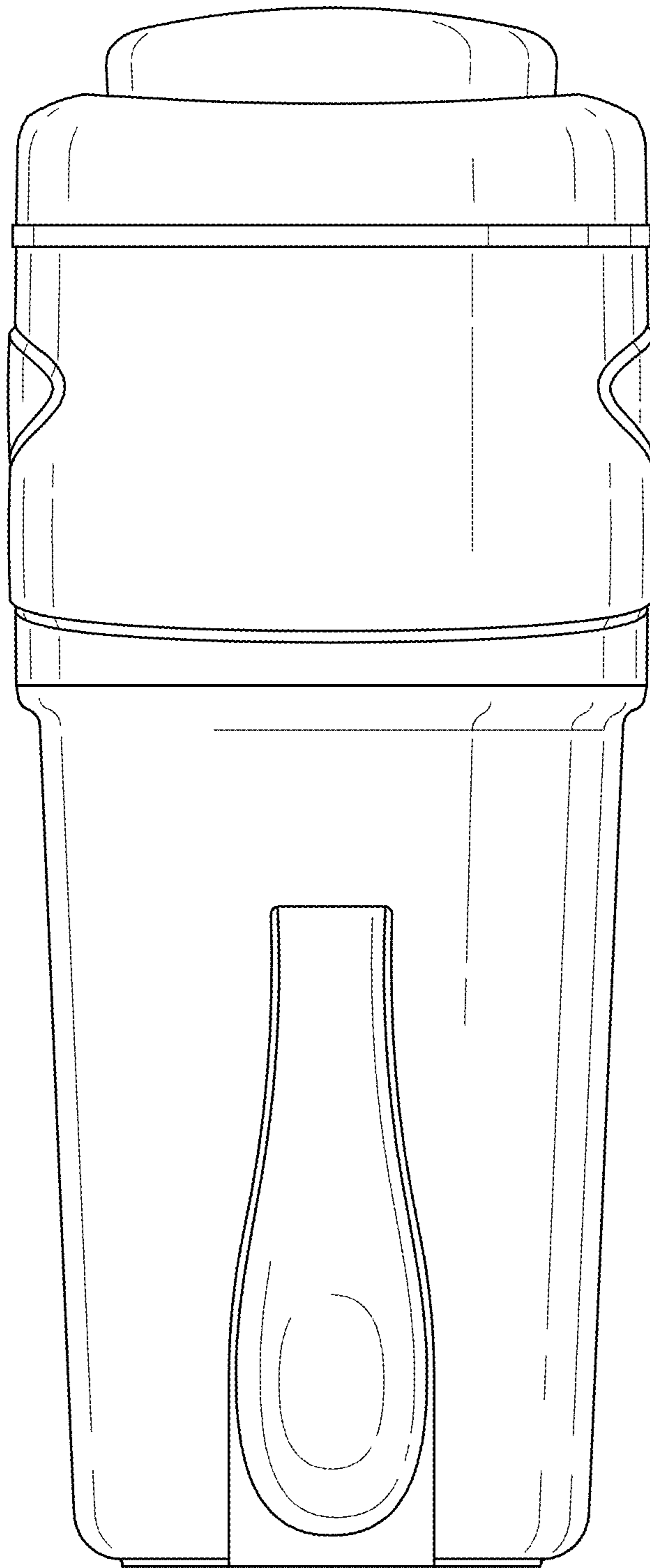


Fig. 2

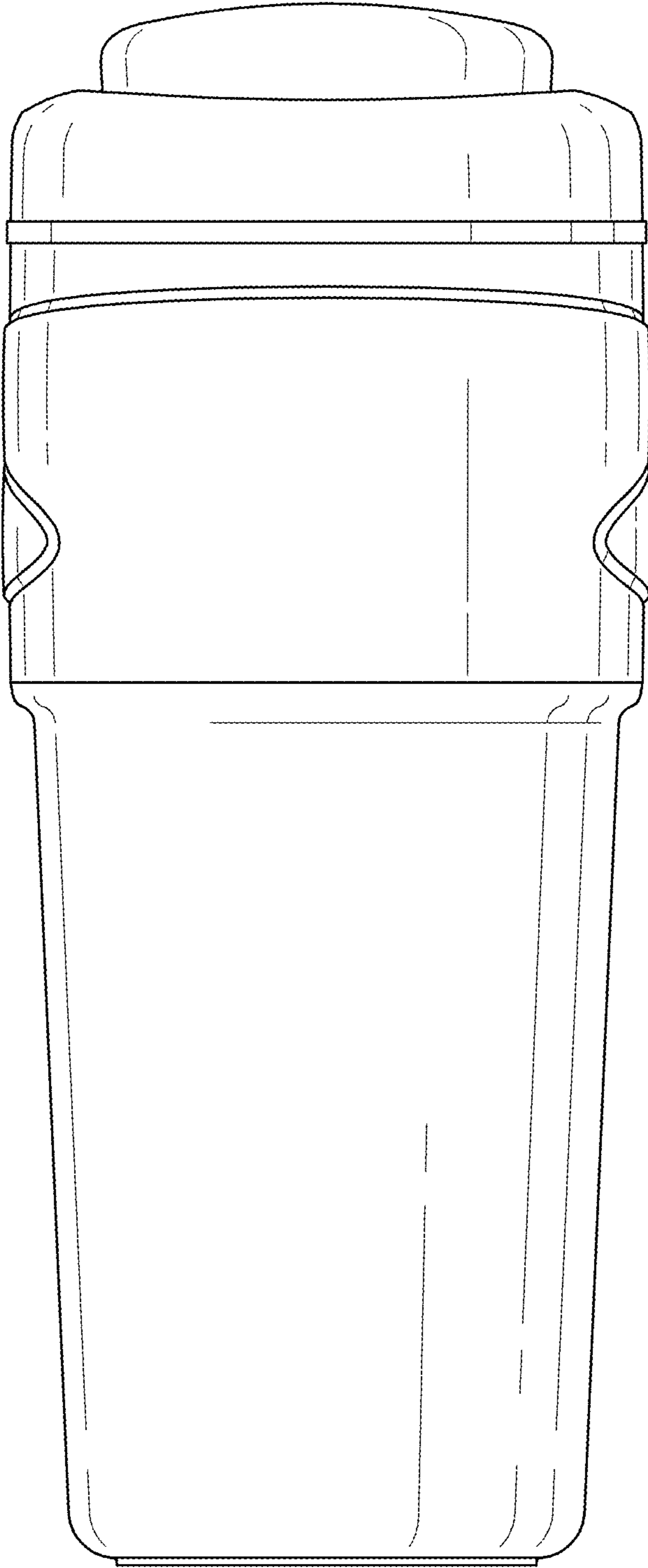


Fig. 3

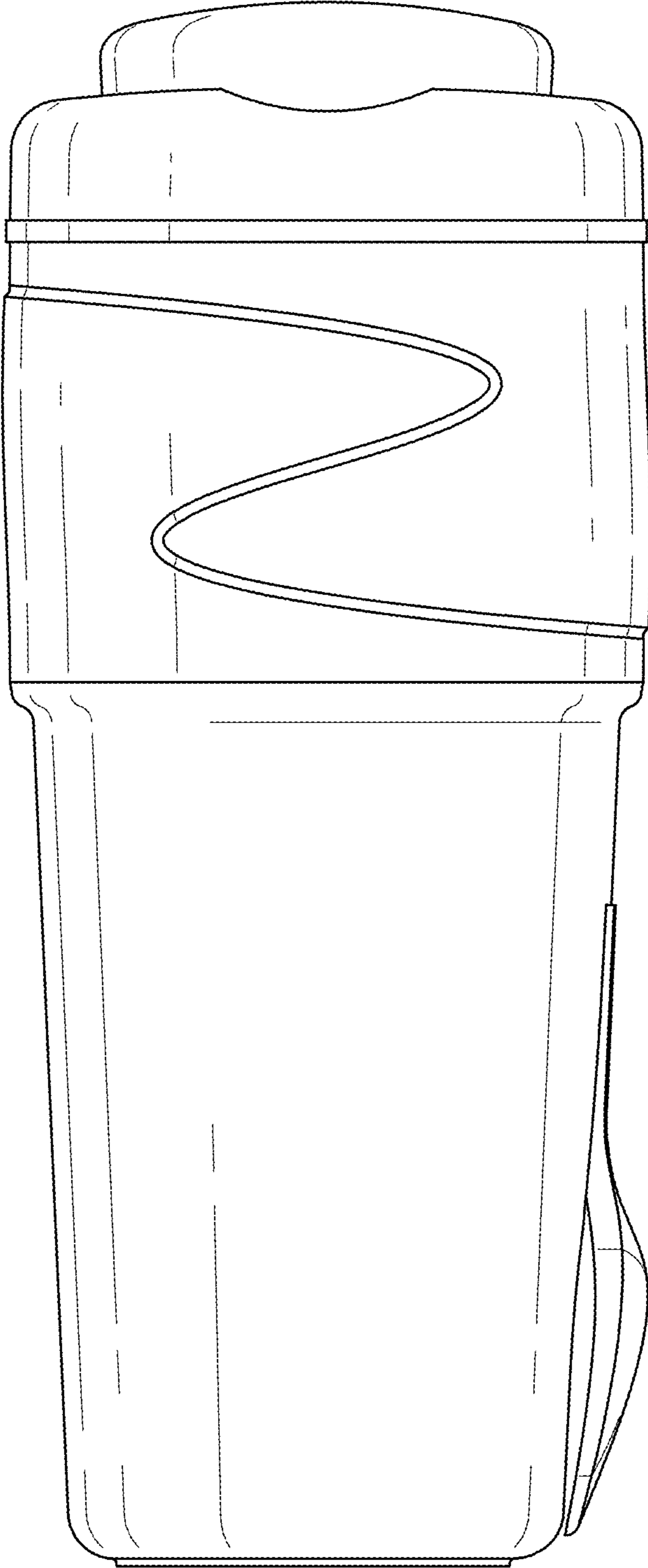


Fig. 4

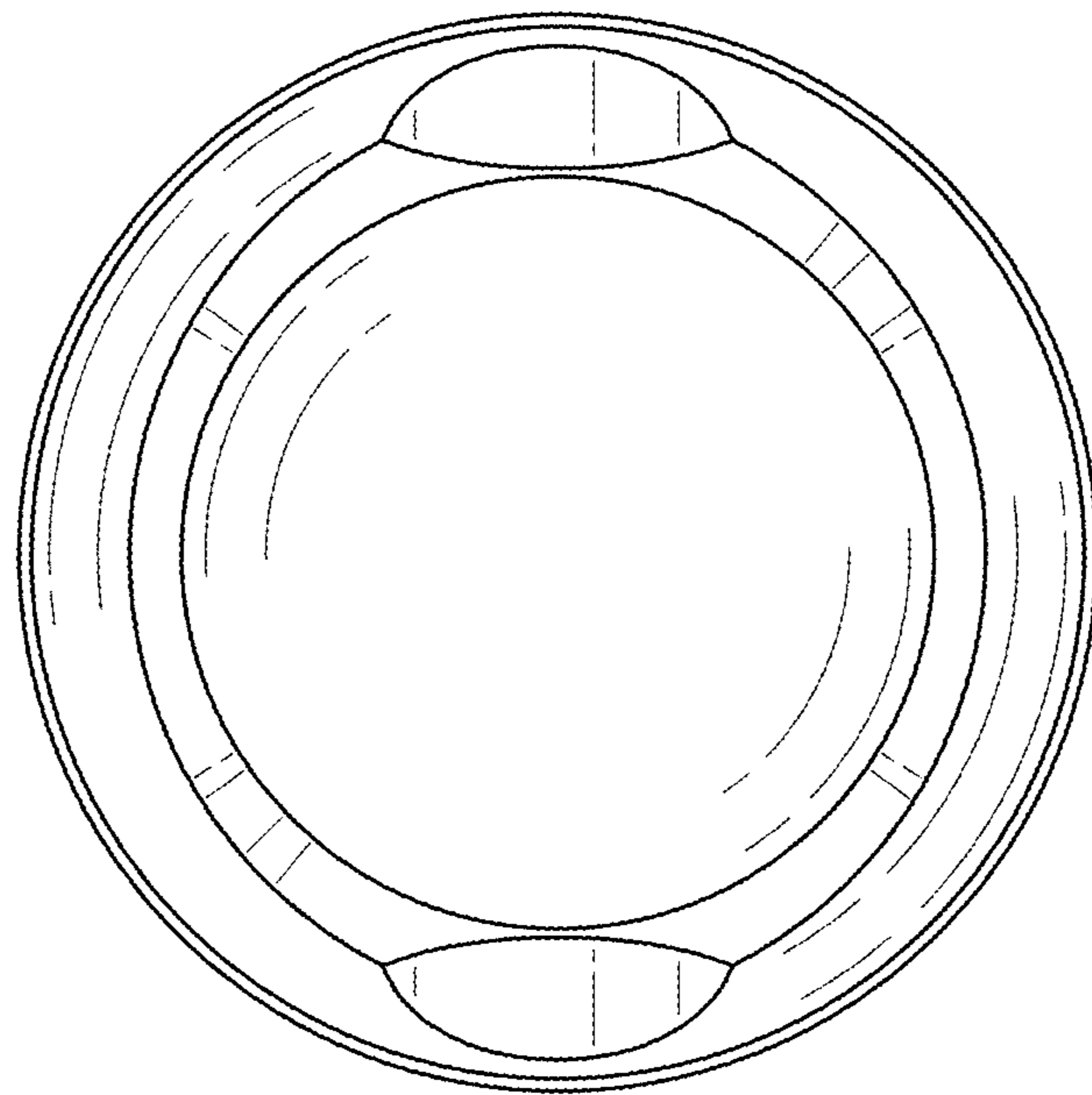


Fig. 5

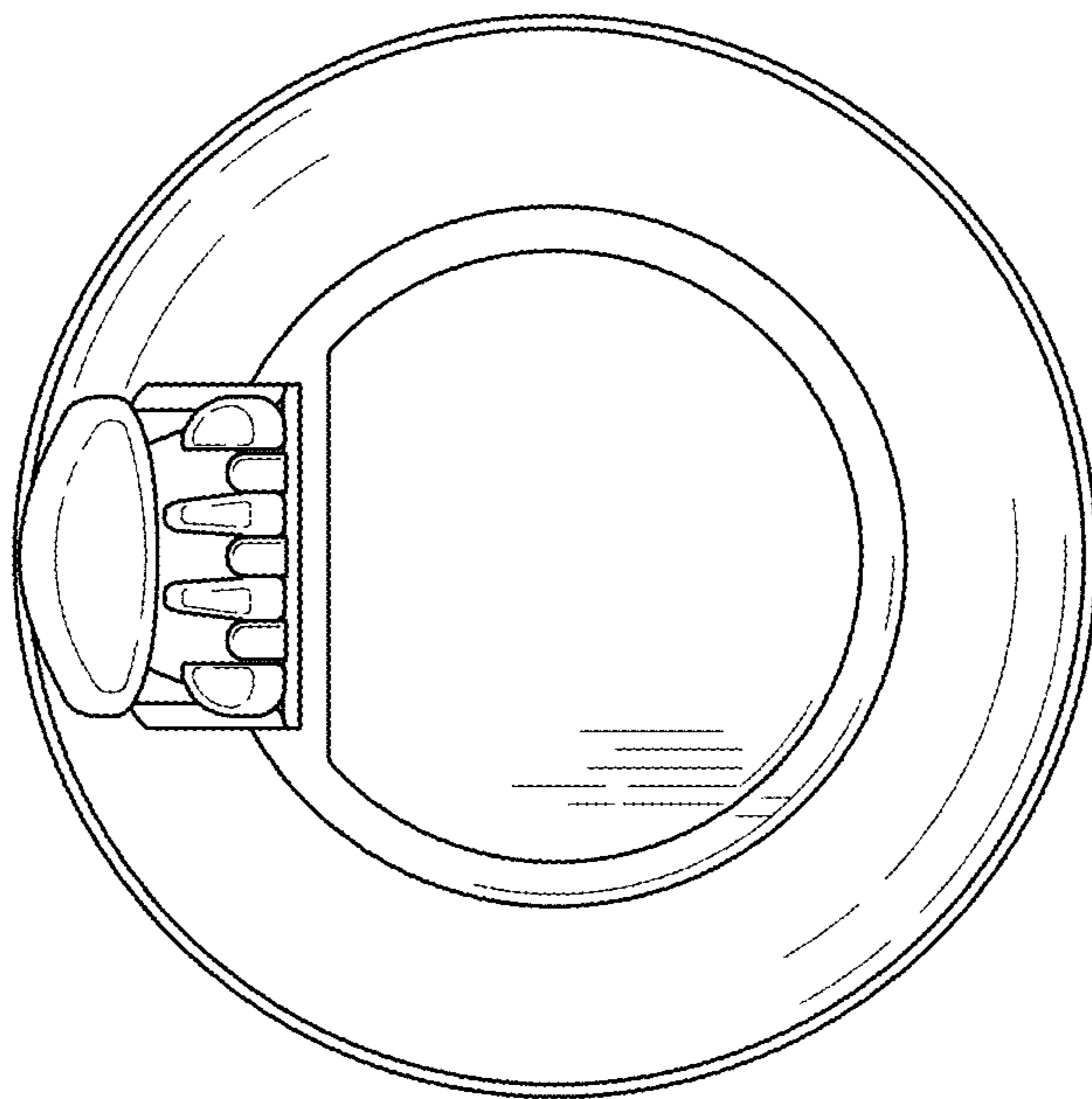


Fig. 6

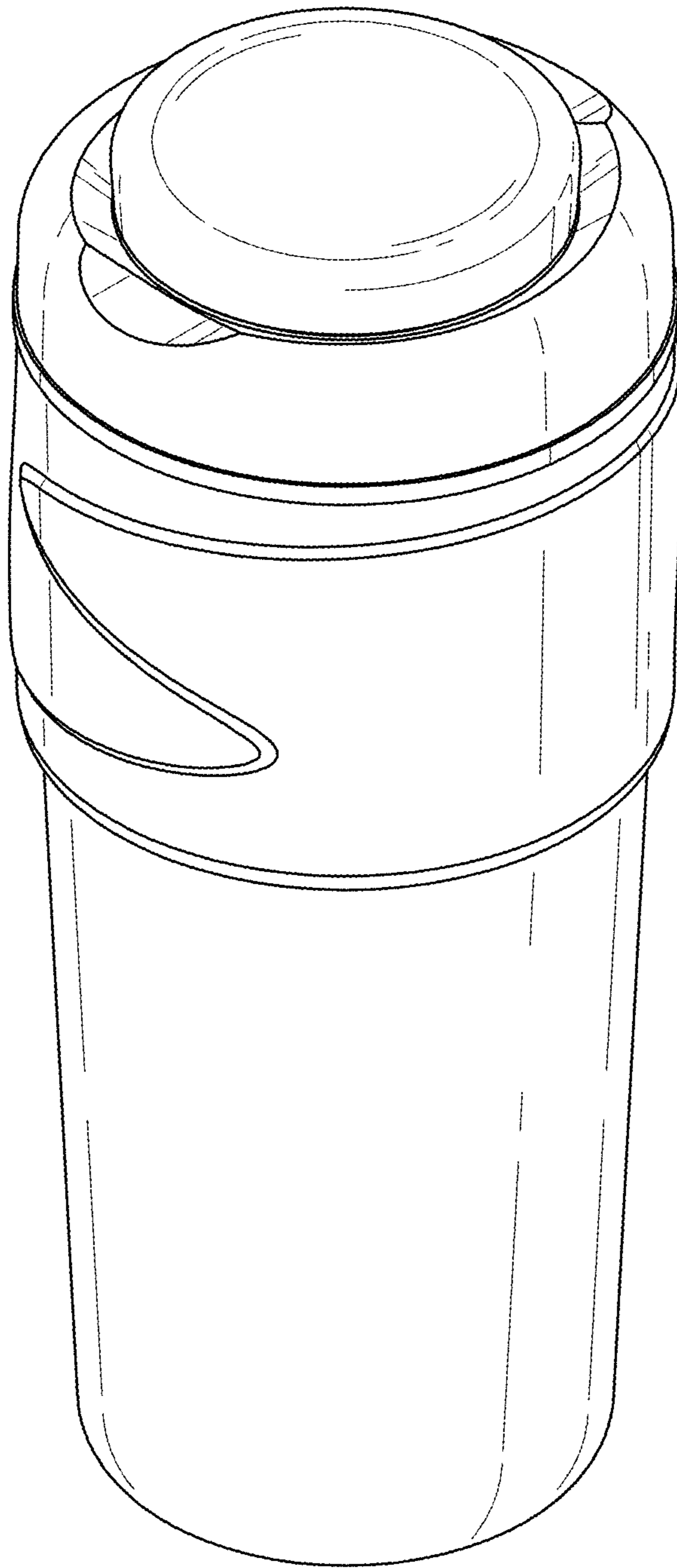


Fig. 7

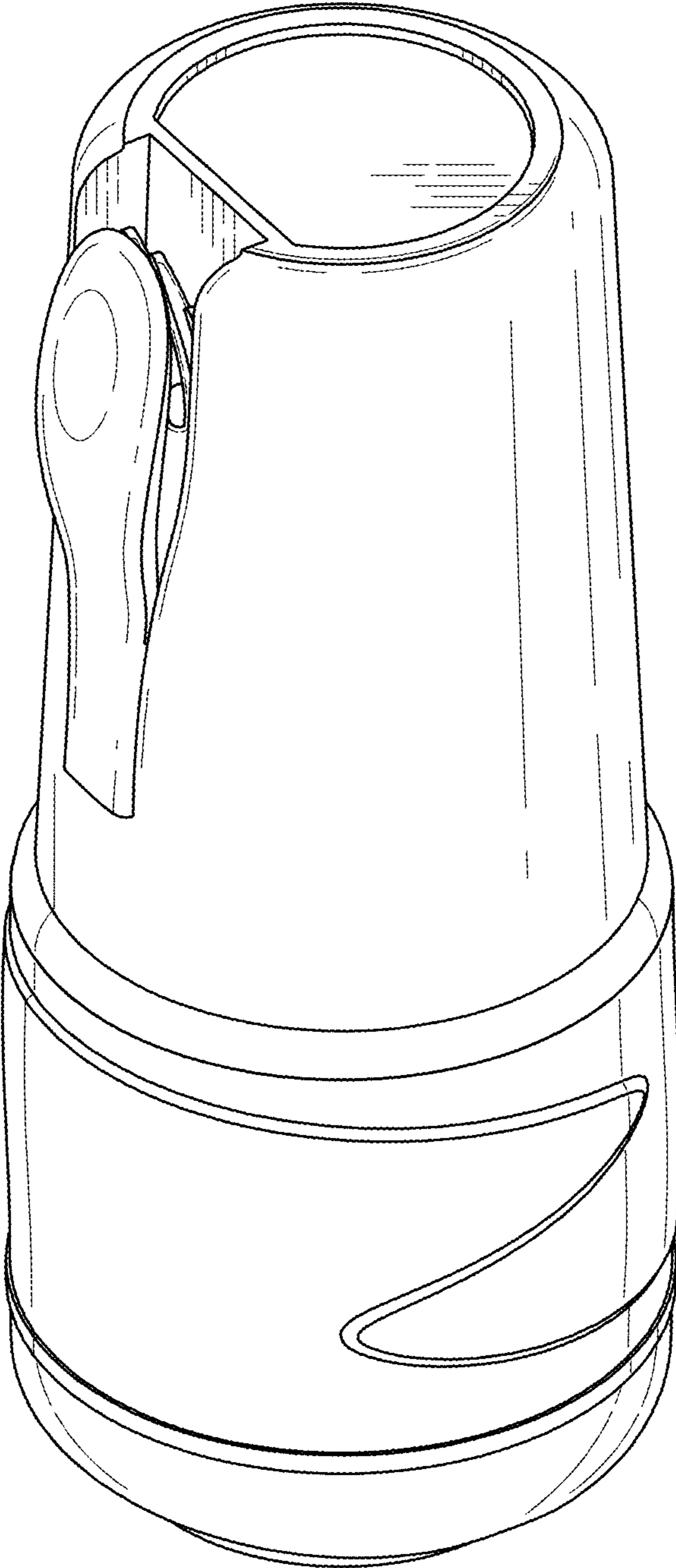


Fig. 8

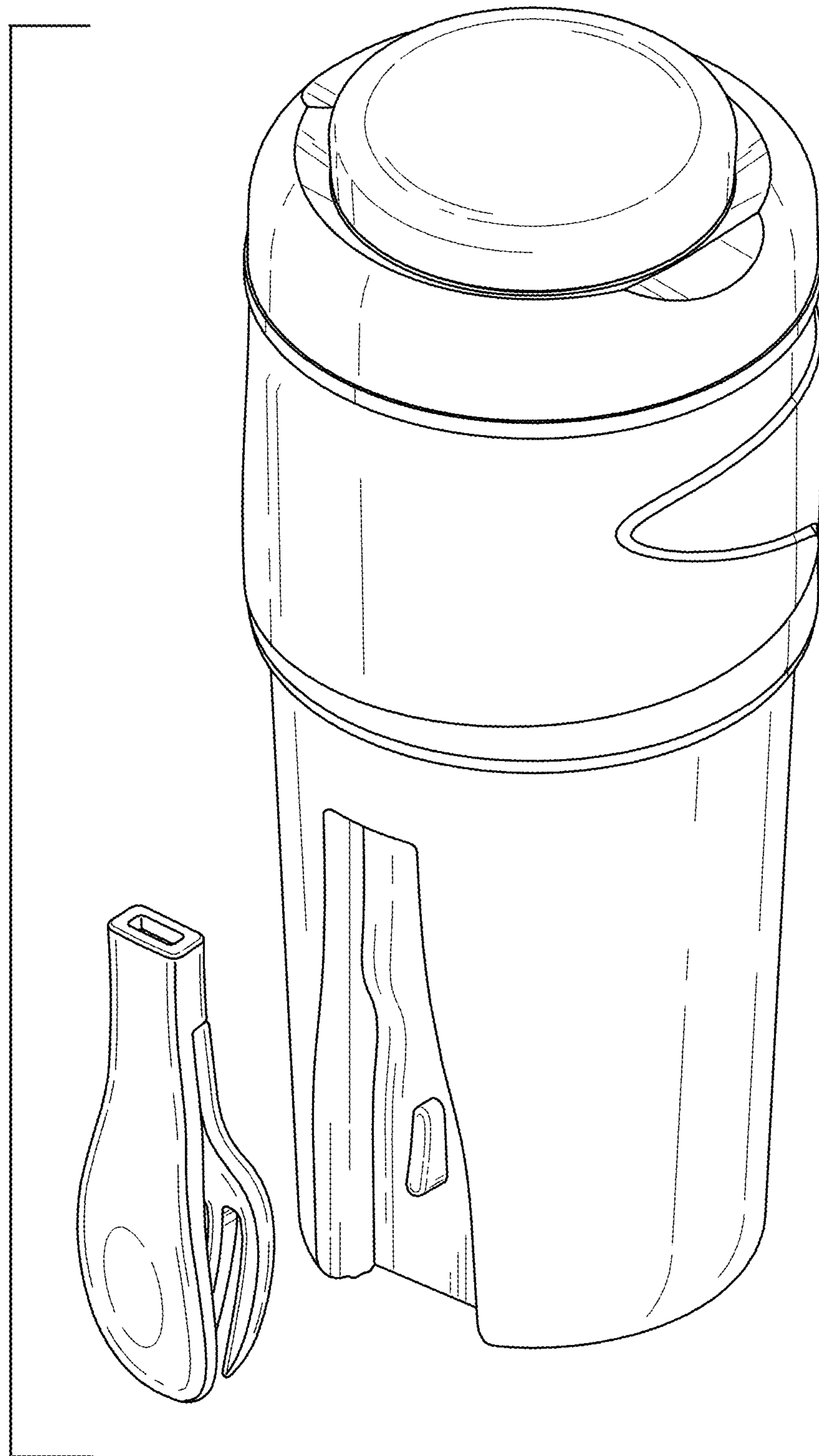


Fig. 9

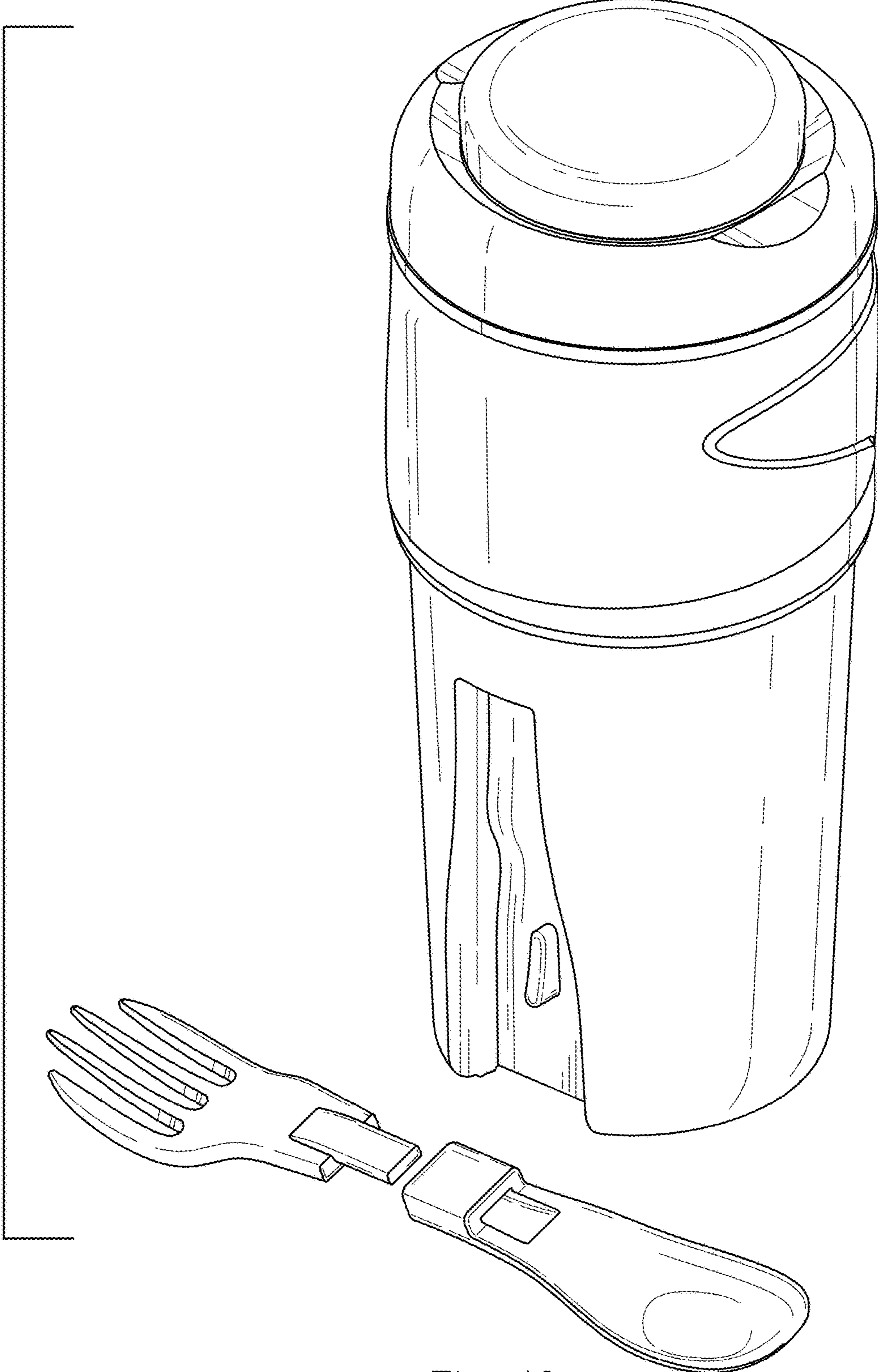


Fig. 10

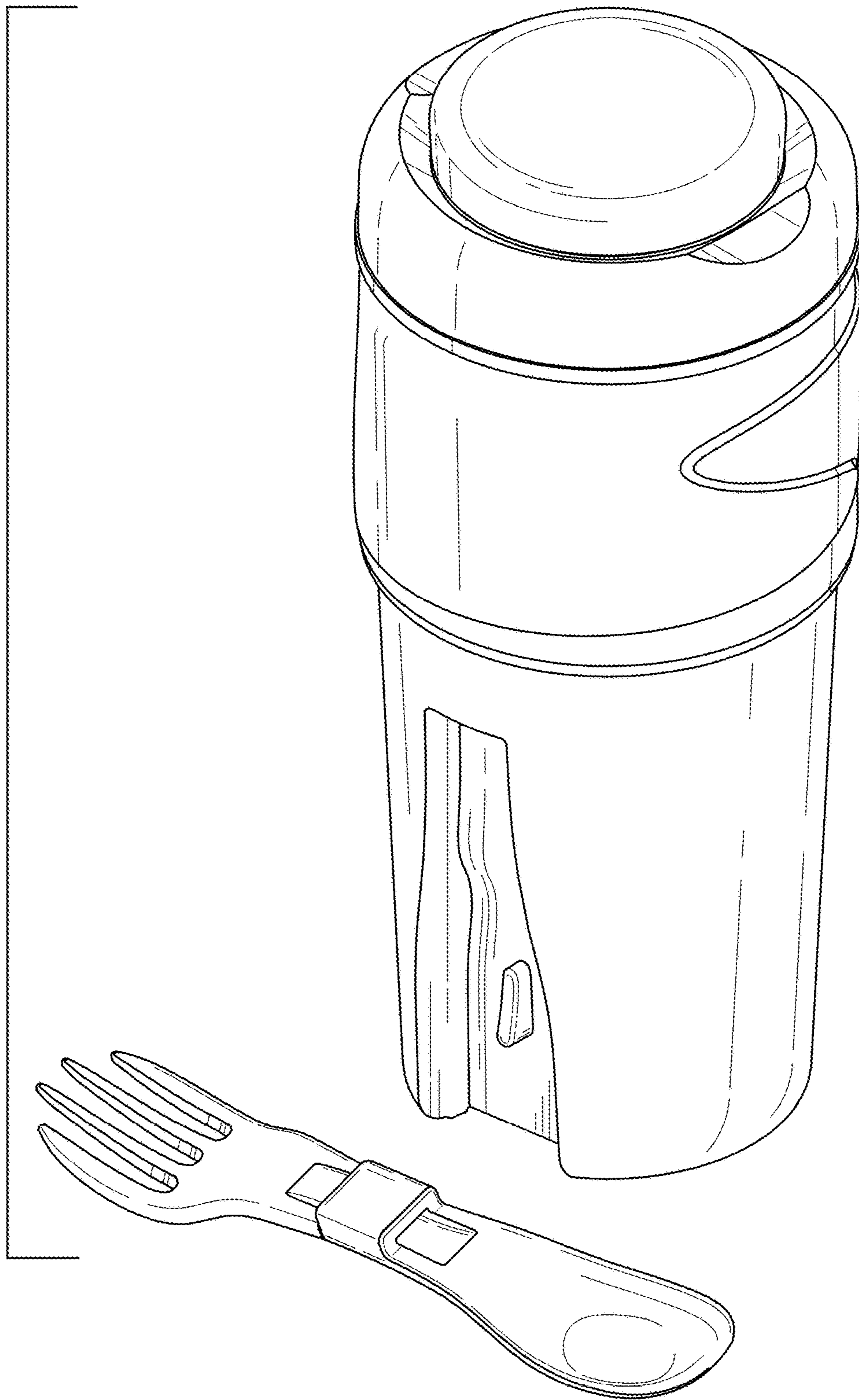


Fig. 11

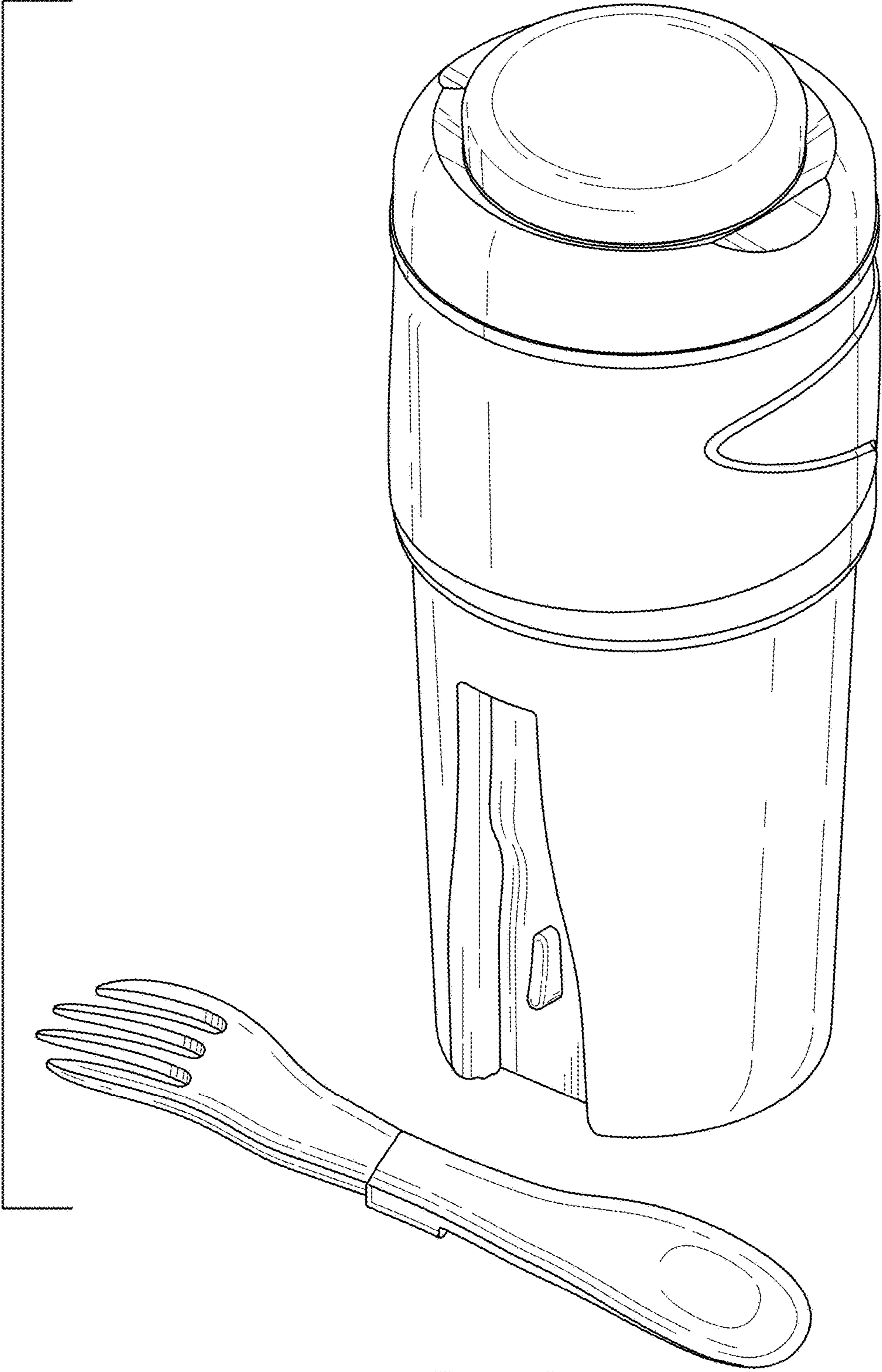


Fig. 12



Fig. 13