



US00D808733S

(12) **United States Design Patent**  
**Spivey et al.**

(10) **Patent No.:** **US D808,733 S**  
(45) **Date of Patent:** **\*\* Jan. 30, 2018**

- (54) **DRINK COOLER**
- (71) Applicant: **Base Brands, LLC**, Atlanta, GA (US)
- (72) Inventors: **Patrick Spivey**, Atlanta, GA (US);  
**Kenneth Kreafle**, Atlanta, GA (US)
- (73) Assignee: **Base Brands, LLC**, Atlanta, GA (US)
- (\*\*) Term: **15 Years**
- (21) Appl. No.: **29/558,809**
- (22) Filed: **Mar. 22, 2016**
- (51) **LOC (11) Cl.** ..... **07-01**
- (52) **U.S. Cl.**  
USPC ..... **D7/608; D7/624.2**
- (58) **Field of Classification Search**  
USPC ..... D7/603-608, 619.1-625  
CPC ..... B65D 81/3886; B65D 81/3876; B65D  
81/3879; B65D 81/3874; B65D 81/3883;  
B65D 23/08; B31D 5/0086; A61J 9/08;  
A47G 23/0216; F25D 3/08; F25D 31/007  
See application file for complete search history.

D476,857 S \* 7/2003 Holsinger ..... D7/523  
6,604,649 B1 \* 8/2003 Campi ..... B65D 81/3886  
220/592.17  
D572,082 S \* 7/2008 Kortleven ..... D7/509

\* cited by examiner

*Primary Examiner* — Terry Wallace  
(74) *Attorney, Agent, or Firm* — Park, Vaughan, Fleming  
& Dowler LLP

(57) **CLAIM**

The ornamental designs for a drink cooler, as shown and described.

**DESCRIPTION**

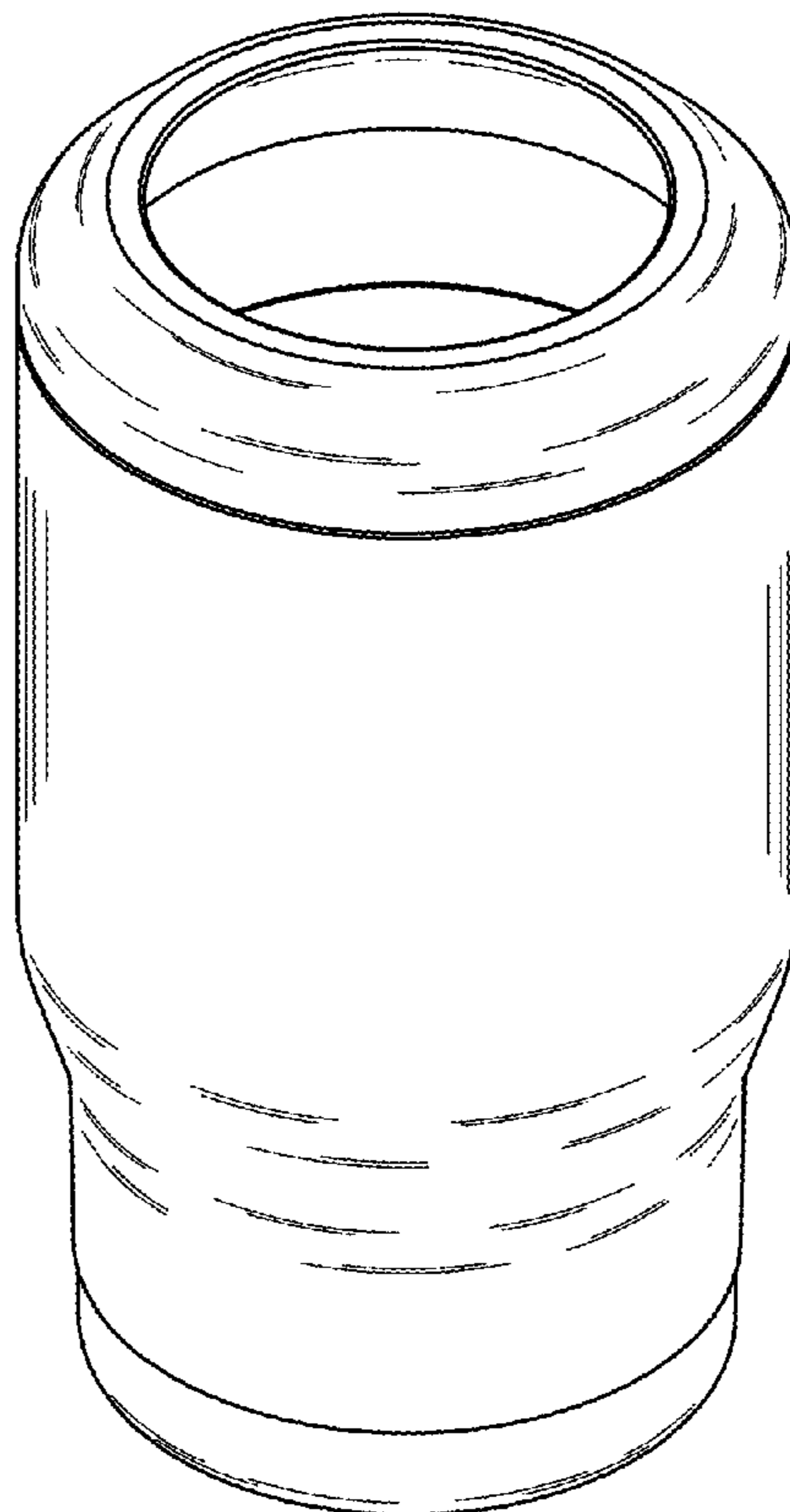
FIG. 1 is a top perspective view of a drink cooler showing our new design.  
 FIG. 2 is a top plan view thereof.  
 FIG. 3 is a bottom plan view thereof.  
 FIG. 4 is a front view thereof.  
 FIG. 5 is a cross-section view taken along line 5-5 of FIG. 4.  
 FIG. 6 is an exploded side view thereof; and,  
 FIG. 7 is an exploded perspective view thereof.  
 The dashed lines in FIG. 5 represent environmental structure and form no part of the claimed design. All other surface(s) or portion(s) of my design not shown in the figures or otherwise described in the specification form no part of the claimed design.

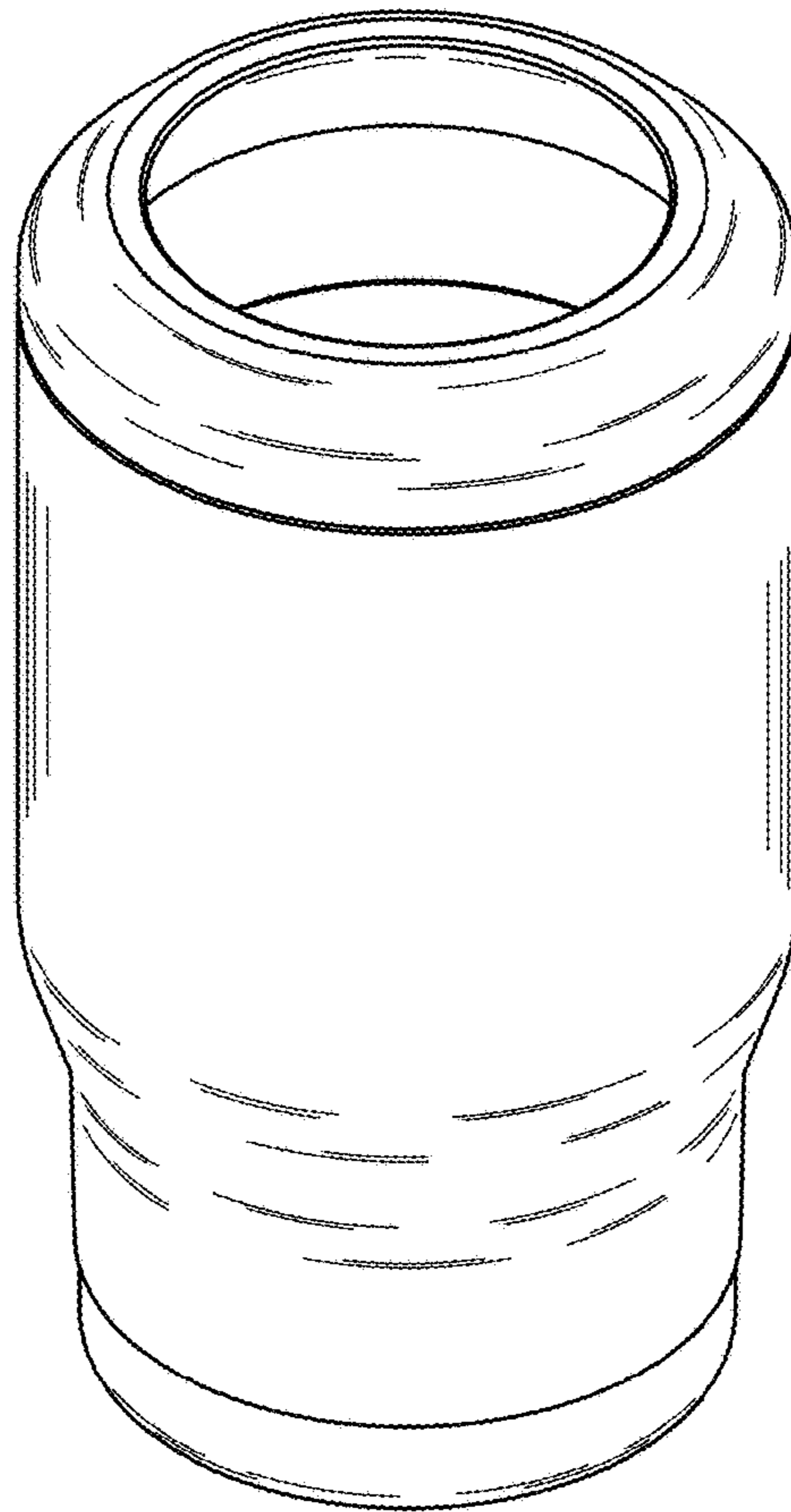
(56) **References Cited**

U.S. PATENT DOCUMENTS

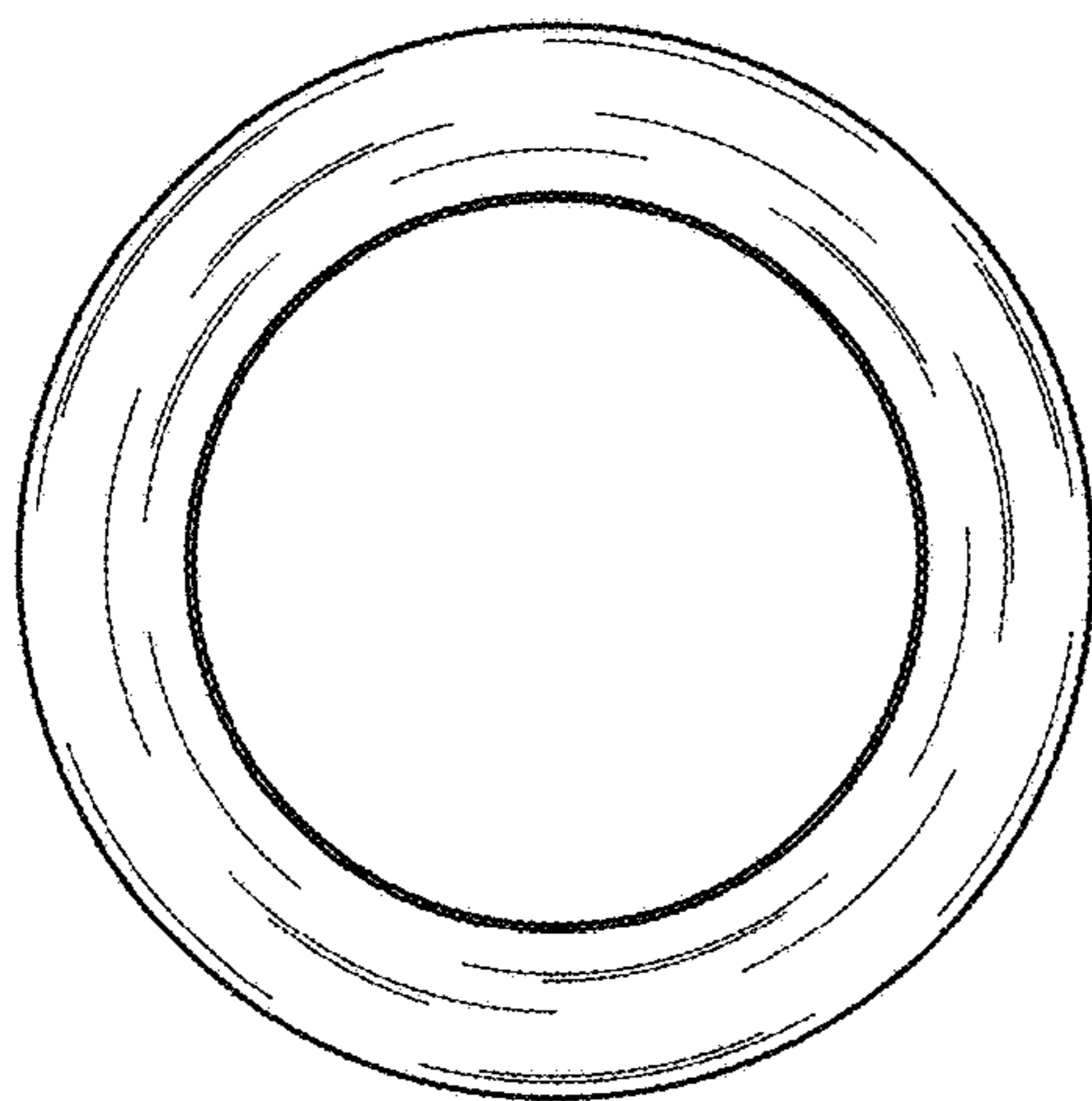
D301,821 S \* 6/1989 Bartolo ..... D7/608  
 D416,757 S \* 11/1999 Ginuntoli ..... D7/509

**1 Claim, 4 Drawing Sheets**

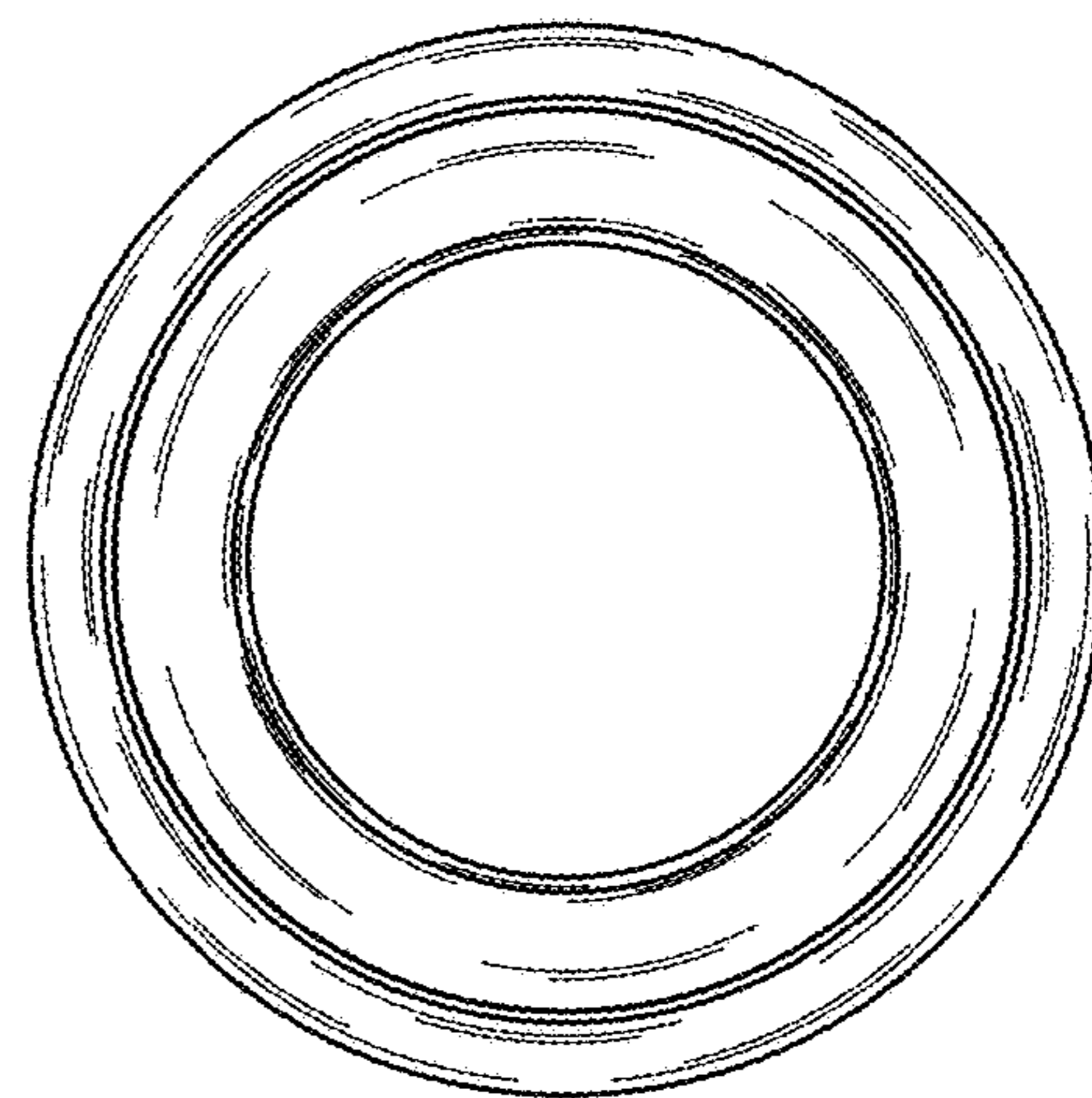




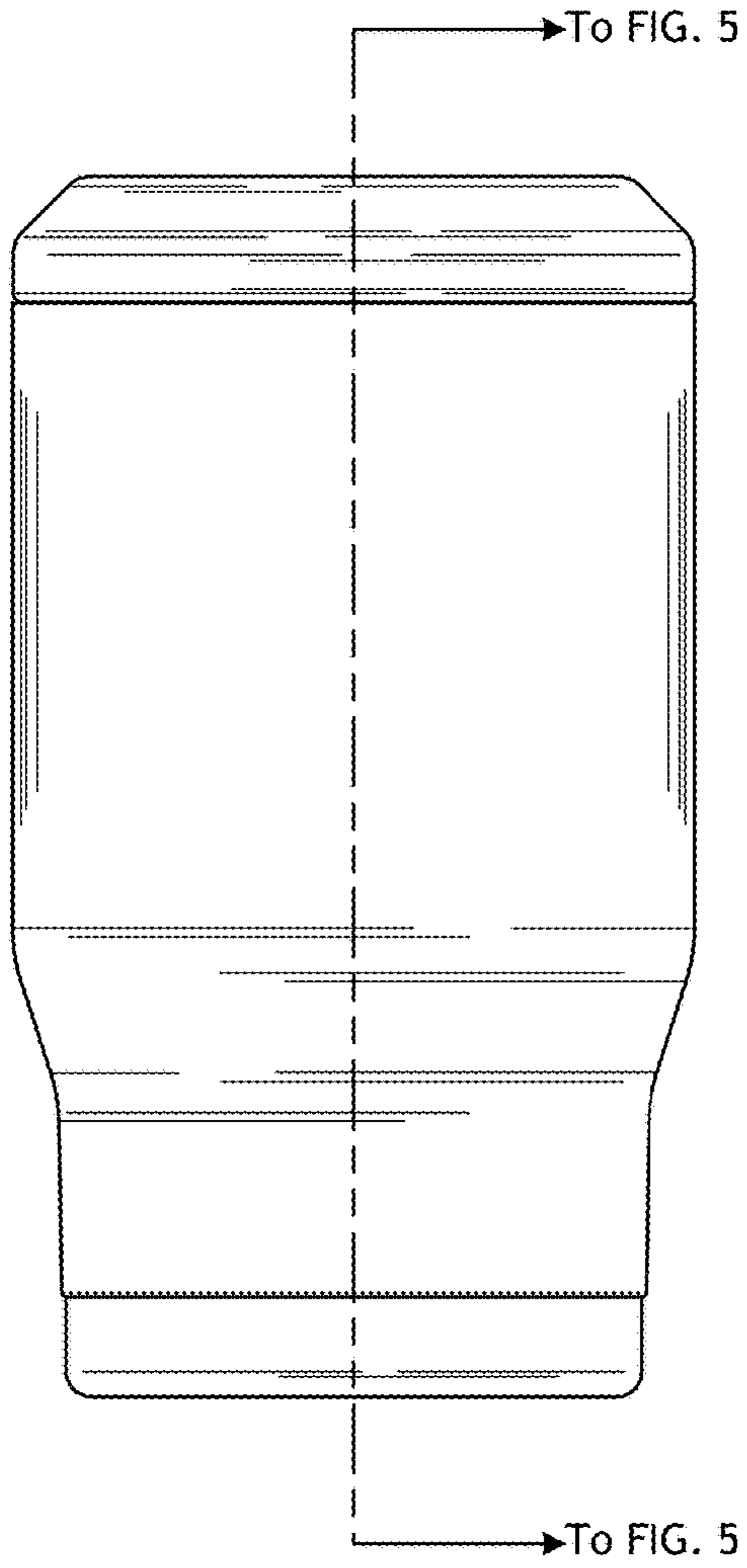
**FIG. 1**



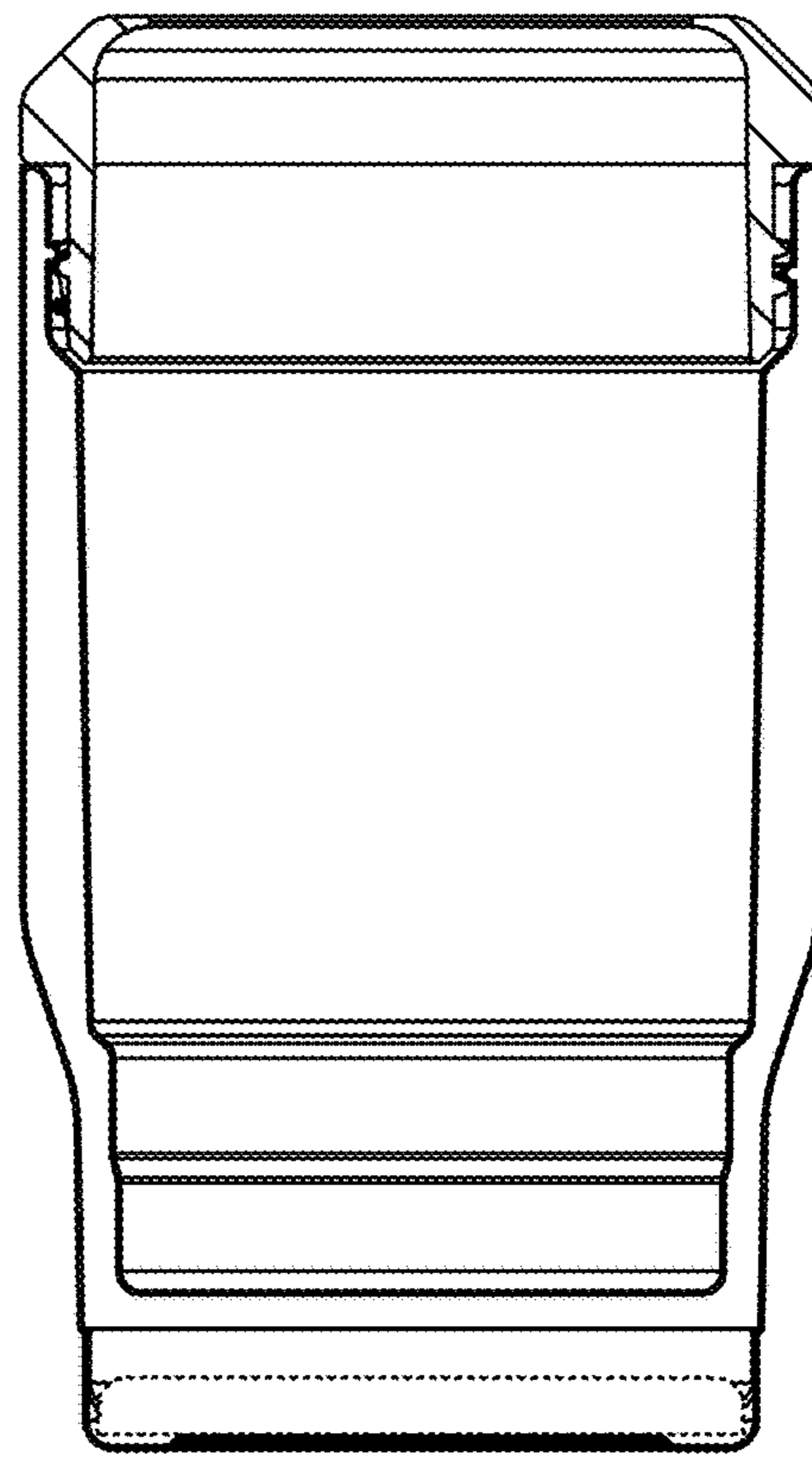
**FIG. 2**



**FIG. 3**



**FIG. 4**



**FIG. 5**

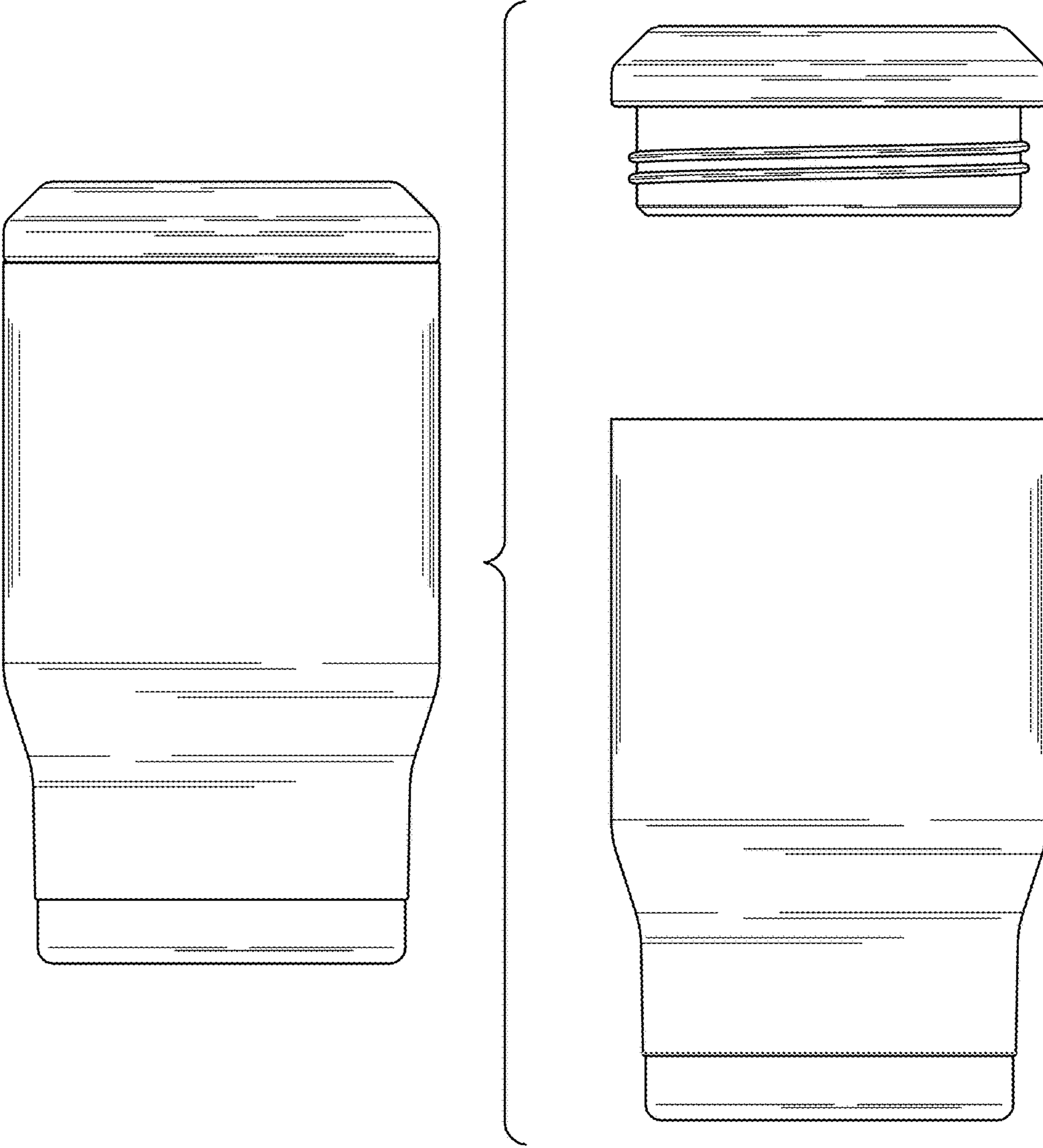


FIG. 6

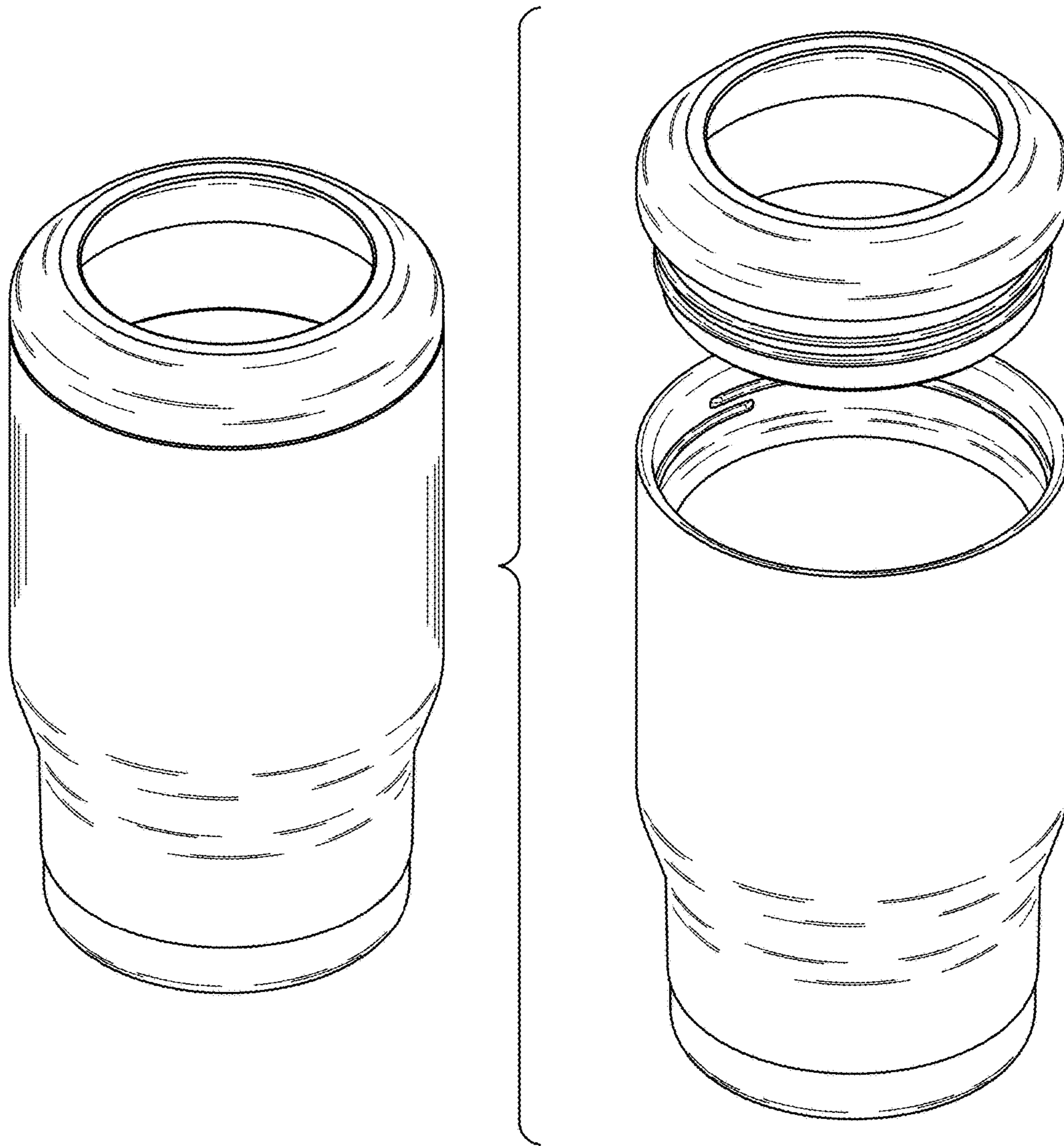


FIG. 7