



US00D808731S

(12) **United States Design Patent**
Boroski et al.

(10) **Patent No.:** **US D808,731 S**
(45) **Date of Patent:** **** Jan. 30, 2018**

(54) **BOTTLE**

(71) Applicant: **THERMOS L.L.C.**, Schaumburg, IL (US)

(72) Inventors: **Dwayne Boroski**, Lake in the Hills, IL (US); **Marvin Lane**, Wheeling, IL (US)

(73) Assignee: **Thermos L.L.C.**, Schaumburg, IL (US)

(**) Term: **15 Years**

(21) Appl. No.: **29/556,500**

(22) Filed: **Mar. 1, 2016**

(51) **LOC (11) Cl.** **07-01**

(52) **U.S. Cl.**
USPC **D7/608**

(58) **Field of Classification Search**
USPC D7/605-608, 629, 630, 612-615,
D7/509-511; D9/500-505, 549, 559,
D9/574, 575
CPC B65D 81/3879; B65D 81/3886; B65D
81/3823; B65D 23/0885; B65D 23/0857;
B65D 23/08; A45C 11/20; A47G
23/0216; A47G 23/02; A47G 23/0208;
A47G 19/2288; F17C 13/001; F25D 3/08;
F25D 2331/804

See application file for complete search history.

(56) **References Cited**

U.S. PATENT DOCUMENTS

D427,021 S * 6/2000 Moran D7/608
D518,335 S * 4/2006 Naft A47G 19/2266
D7/320
D557,994 S * 12/2007 Wahl D7/608
D630,062 S * 1/2011 Carreno D7/608
D702,092 S * 4/2014 Mettler D7/608

* cited by examiner

Primary Examiner — Terry A Wallace

(74) *Attorney, Agent, or Firm* — Polsinelli PC

(57) **CLAIM**

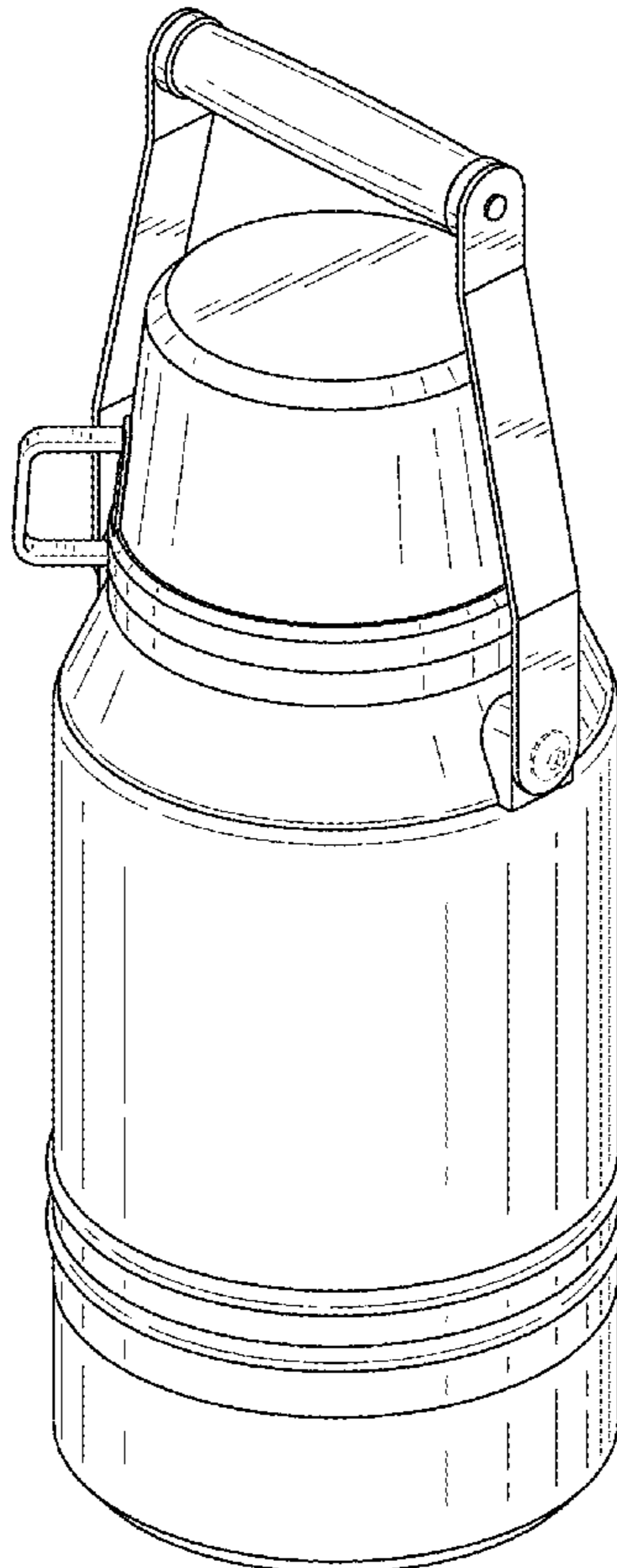
The ornamental design for a bottle, as shown and described.

DESCRIPTION

FIG. 1 is a perspective view of a bottle;
FIG. 2 is a front view of the bottle;
FIG. 3 is a rear view of the bottle;
FIG. 4 is a right side view of the bottle;
FIG. 5 is a left side view of the bottle;
FIG. 6 is a top view of the bottle; and,
FIG. 7 is a bottom view of the bottle.

The broken lines showing in the figures are included for the purpose of illustrating portions of the bottle that form no part of the claimed design. The dash-dot lines showing in the figures are included for defining the bounds of the claimed design that form no part thereof.

1 Claim, 4 Drawing Sheets



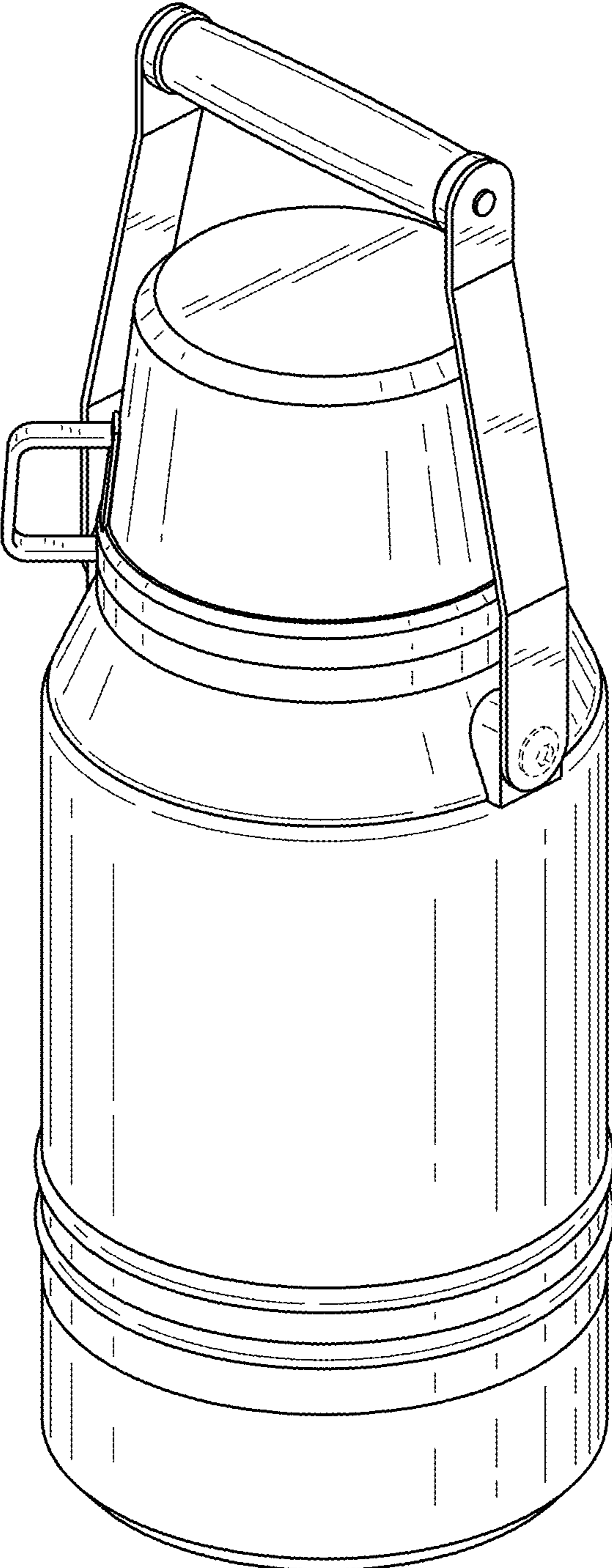


FIG. 1

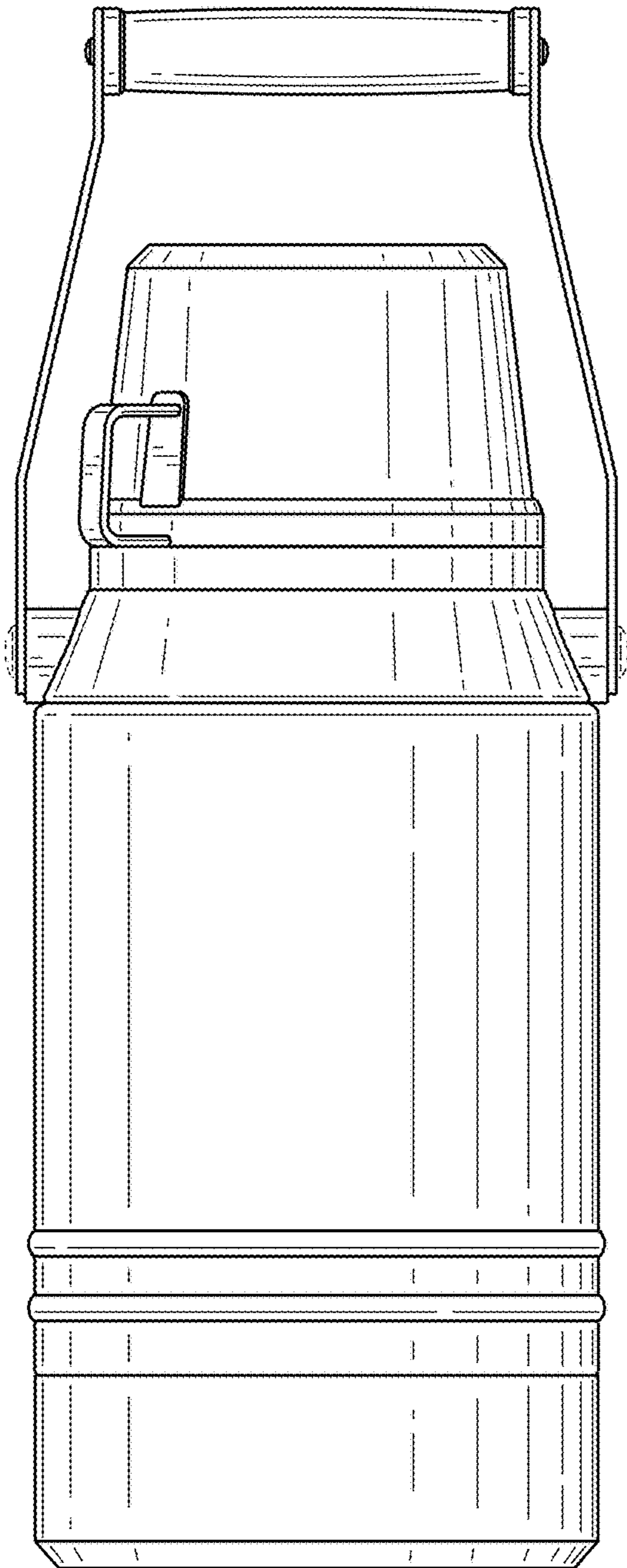


FIG. 2

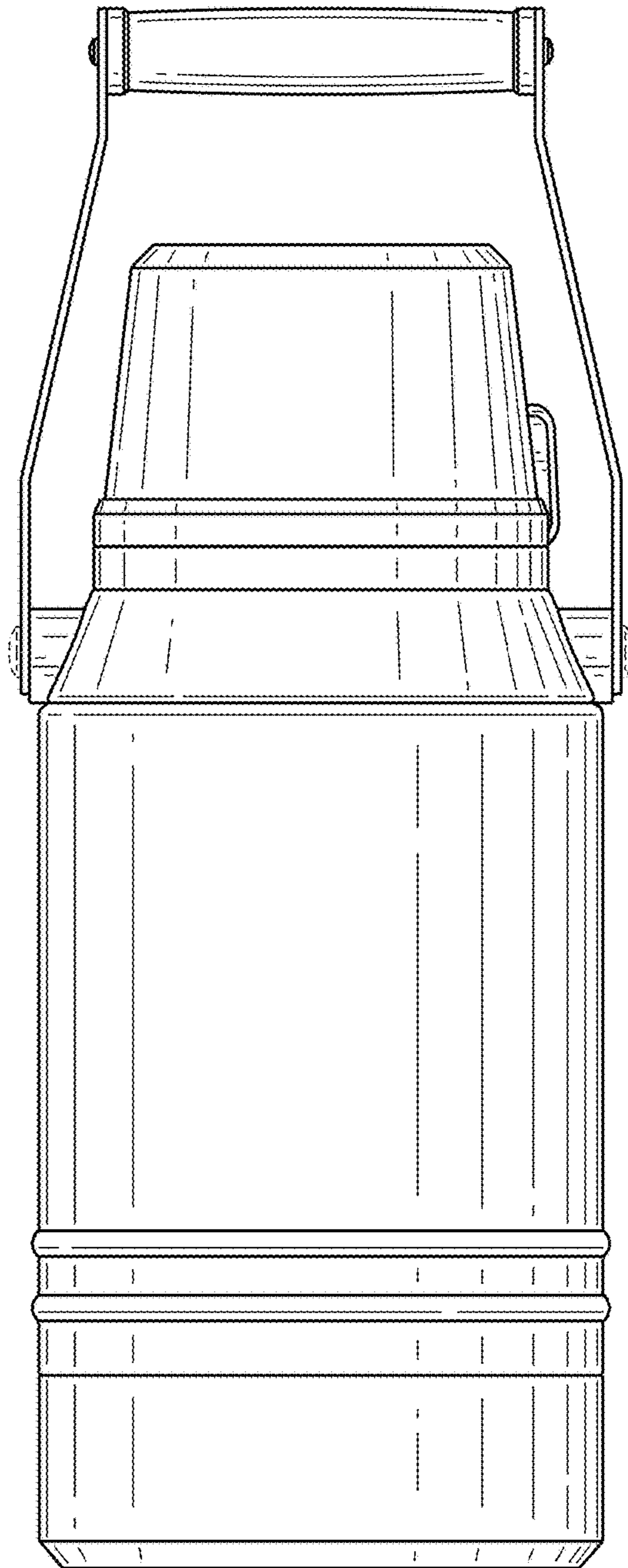


FIG. 3

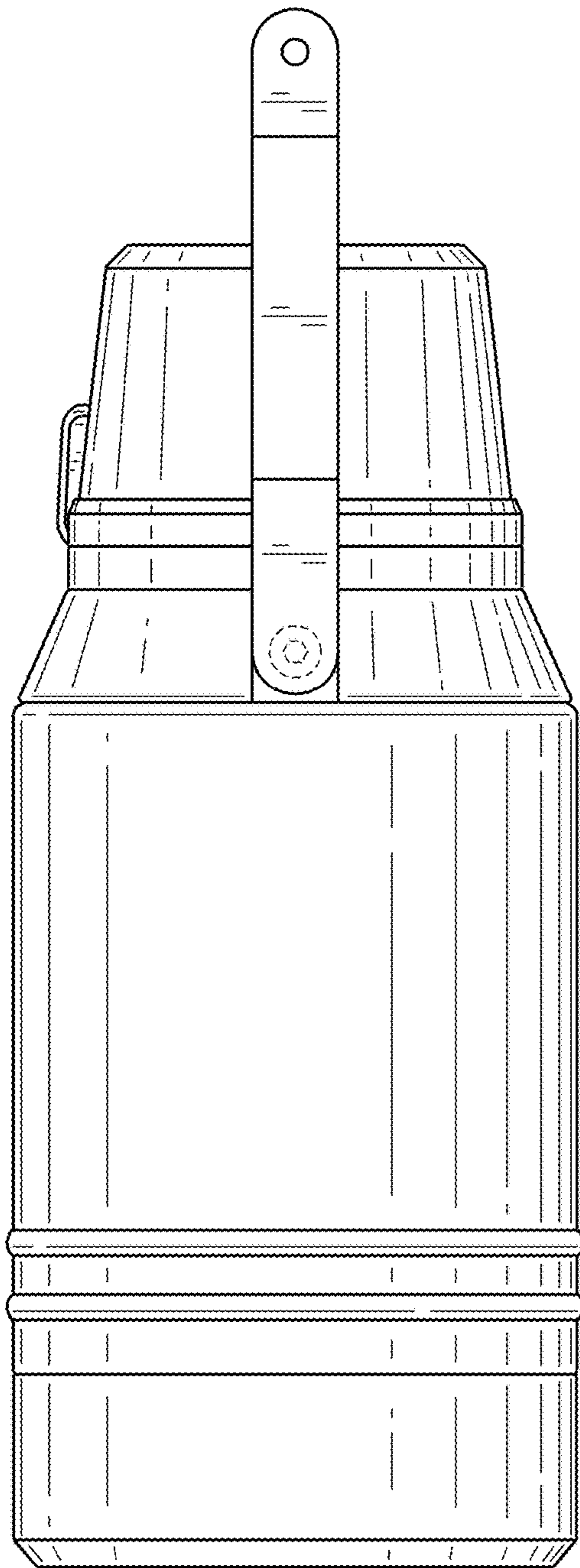


FIG. 4

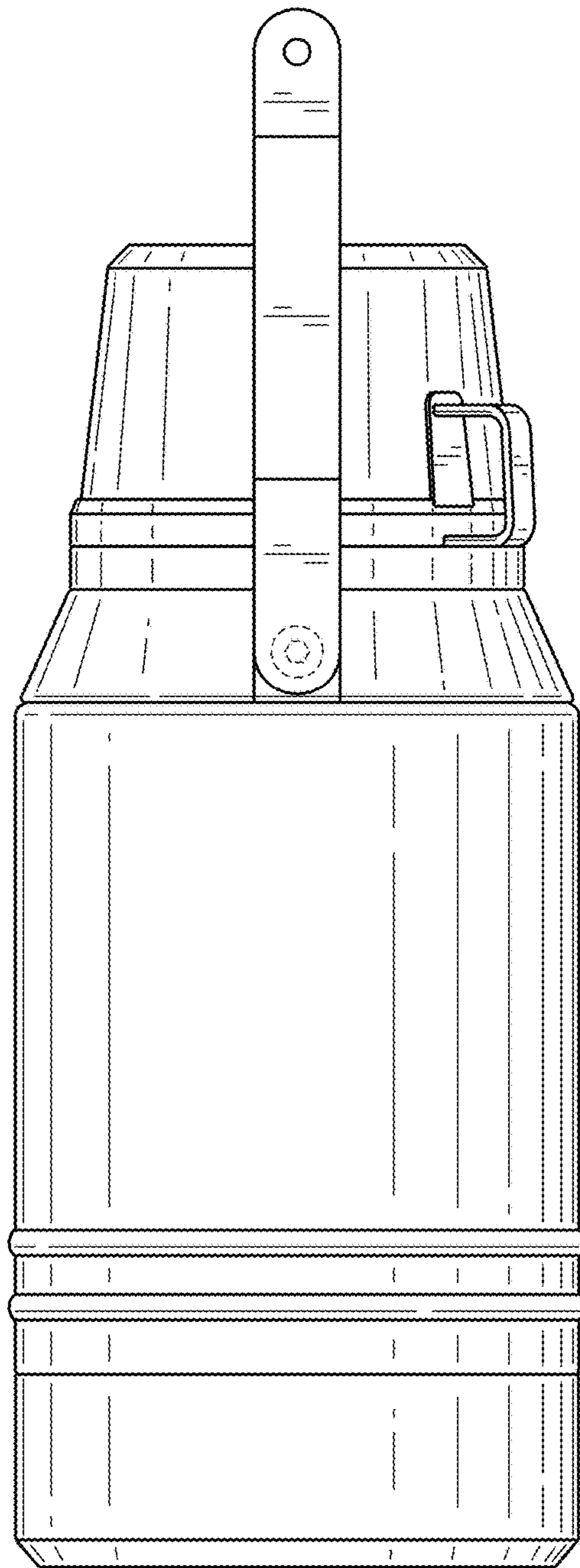


FIG. 5

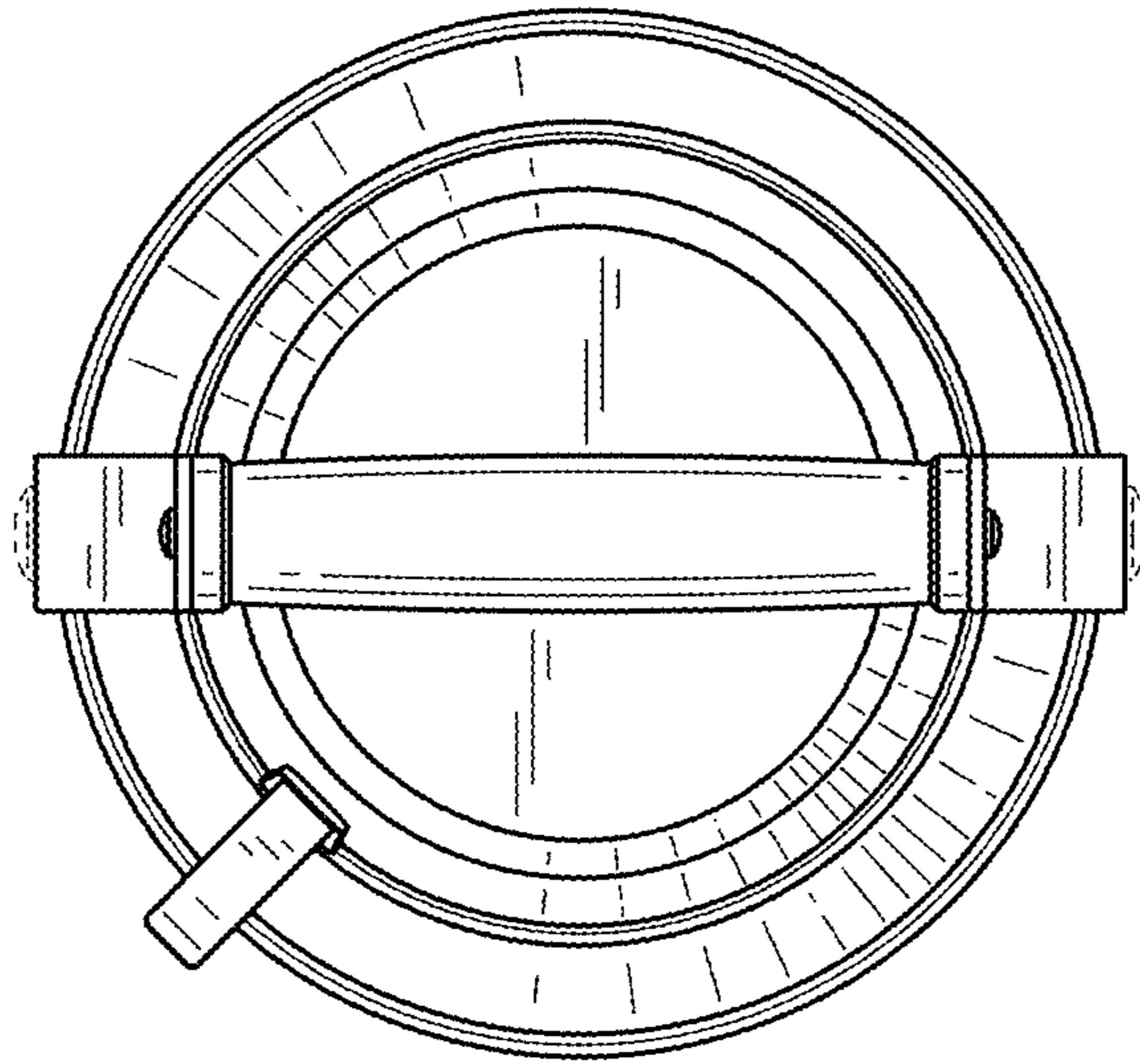


FIG. 6

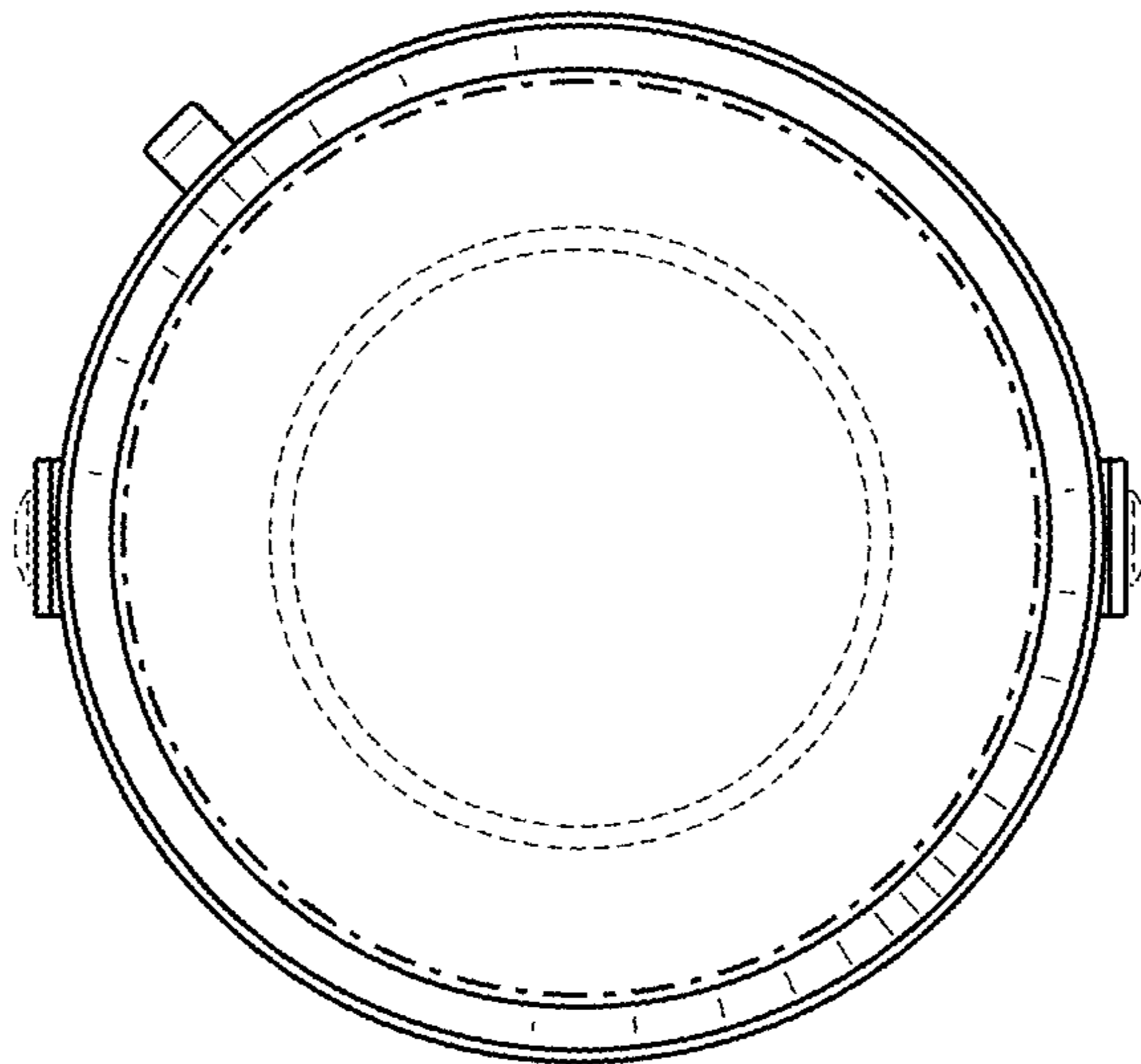


FIG. 7