



US00D808727S

(12) **United States Design Patent** (10) **Patent No.:** **US D808,727 S**
Bo (45) **Date of Patent:** **** Jan. 30, 2018**

(54) **DOUBLE WALL VACUUM MUG**
(71) Applicant: **Anhui Inno-Sign International Co., Ltd.**, Hefei (CN)
(72) Inventor: **Jin Bo**, Hefei (CN)
(73) Assignee: **ANHUI INNO-SIGN INT'L**, Hefei (CN)
(**) Term: **15 Years**
(21) Appl. No.: **29/570,936**
(22) Filed: **Jul. 13, 2016**
(51) **LOC (11) Cl.** **07-01**
(52) **U.S. Cl.**
USPC **D7/532; D7/523; D7/533**
(58) **Field of Classification Search**
USPC D7/507, 509, 510, 511, 523, 529, 530, D7/608, 536, 532; D9/500, 502, 503, D9/504, 517, 530, 538, 539, 540, 541, D9/544, 545, 547, 548, 552, 569, 453, D9/452; 220/592.16, 592.17; 215/381, 215/382
CPC A47G 19/22; A47G 19/2205; A47G 19/2211; A47G 19/2266; A47G 19/2272; A45F 3/16; B65D 41/04
See application file for complete search history.

D383,947 S * 9/1997 Schaefer 220/739
5,667,135 A * 9/1997 Schaefer A47G 23/0216
220/738
D437,733 S * 2/2001 Kaposi D7/523
D440,822 S * 4/2001 Lin D7/509
6,220,475 B1 * 4/2001 Nayar B65D 1/165
220/669
D474,074 S * 5/2003 Hou D7/523
D480,270 S * 10/2003 Hou D7/523
D483,612 S * 12/2003 Chuang D7/523
D515,871 S * 2/2006 Rocha D7/523
D522,405 S * 6/2006 Rocha D11/153
D536,930 S * 2/2007 Li D7/509
D555,428 S * 11/2007 Tulett D7/510
D575,110 S * 8/2008 Karam D7/509
D623,476 S * 9/2010 Carlson D7/510
D684,428 S * 6/2013 Spencer D7/507
D726,500 S * 4/2015 Ke D7/523
D729,012 S * 5/2015 Ke D7/512

(Continued)

Primary Examiner — Marianne Pandozzi
Assistant Examiner — Jae Liang
(74) *Attorney, Agent, or Firm* — Richards Patent Law PC.

(57) **CLAIM**

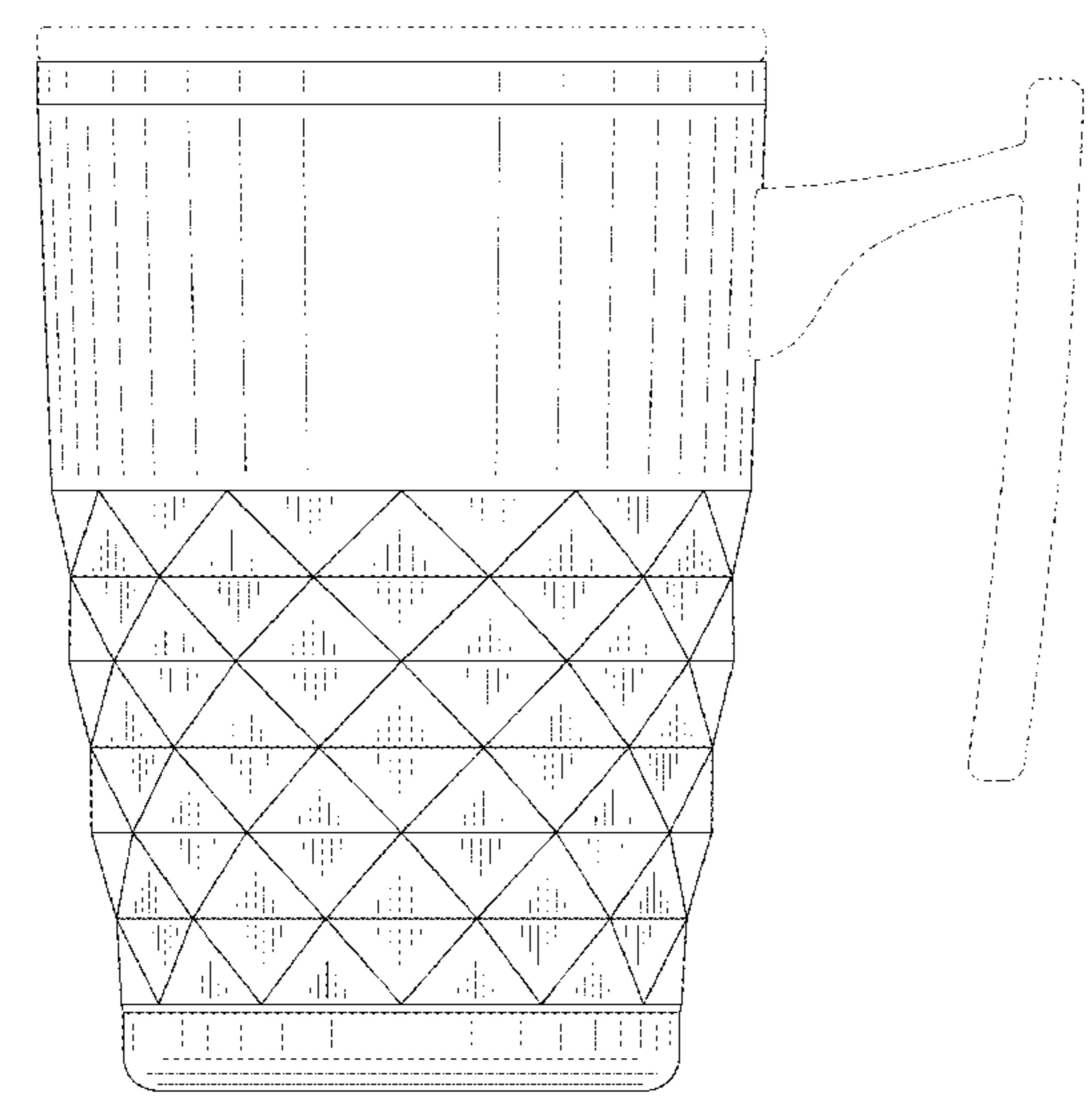
The ornamental design for a double wall vacuum mug, as shown and described.

DESCRIPTION

FIG. 1 is a perspective view of a double wall vacuum mug showing my new design;
FIG. 2 is a right side view thereof;
FIG. 3 is a left side view thereof;
FIG. 4 is a front view thereof;
FIG. 5 is a rear view thereof;
FIG. 6 is a top view thereof; and,
FIG. 7 is a perspective view thereof.
The broken lines in the drawing depict portions of the double wall vacuum mug that form no part of the claimed design.

1 Claim, 7 Drawing Sheets

(56) **References Cited**
U.S. PATENT DOCUMENTS
D94,100 S * 12/1934 Spear D7/523
D119,863 S * 4/1940 Lundy D7/530
D162,302 S * 3/1951 Horne D7/523
D196,334 S * 9/1963 Fibish D7/523
3,456,860 A * 7/1969 Janninck A47J 41/0077
206/520
D297,089 S * 8/1988 West D7/523
D297,090 S * 8/1988 West D7/523



(56)

References Cited

U.S. PATENT DOCUMENTS

D755,571 S * 5/2016 Cheng D7/523
D796,264 S * 9/2017 Bo D7/523

* cited by examiner

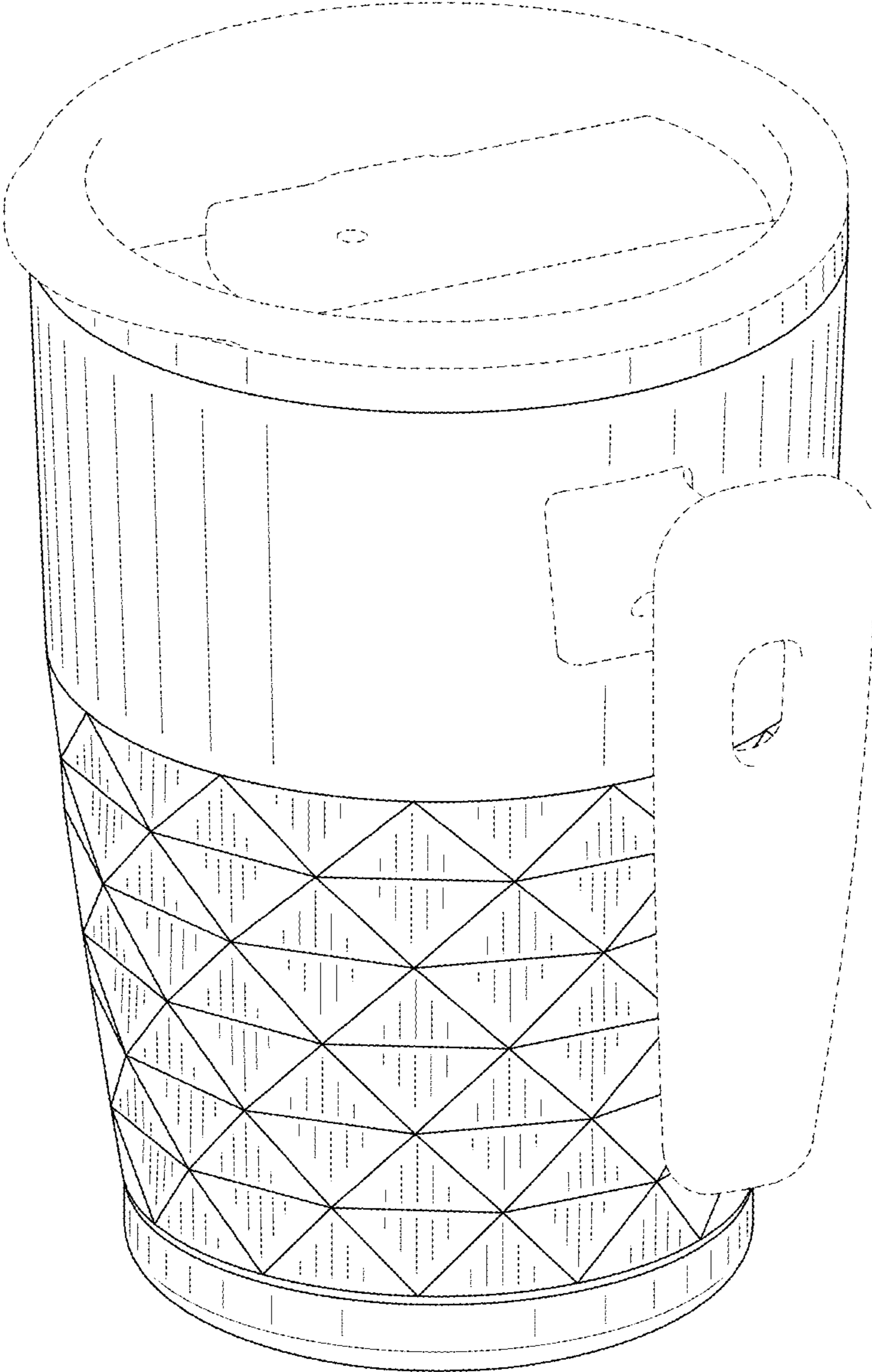


FIG. 1

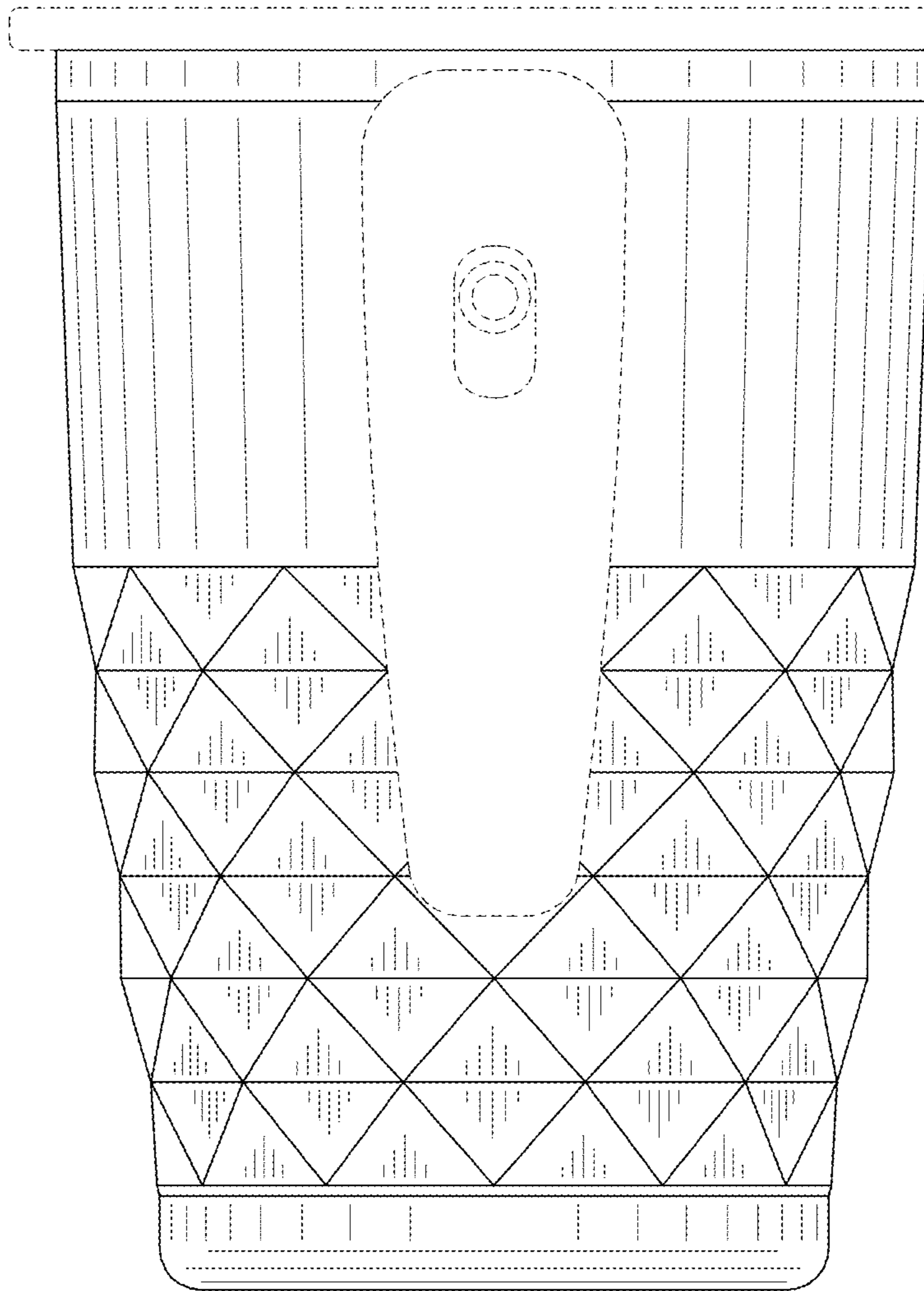


FIG. 2

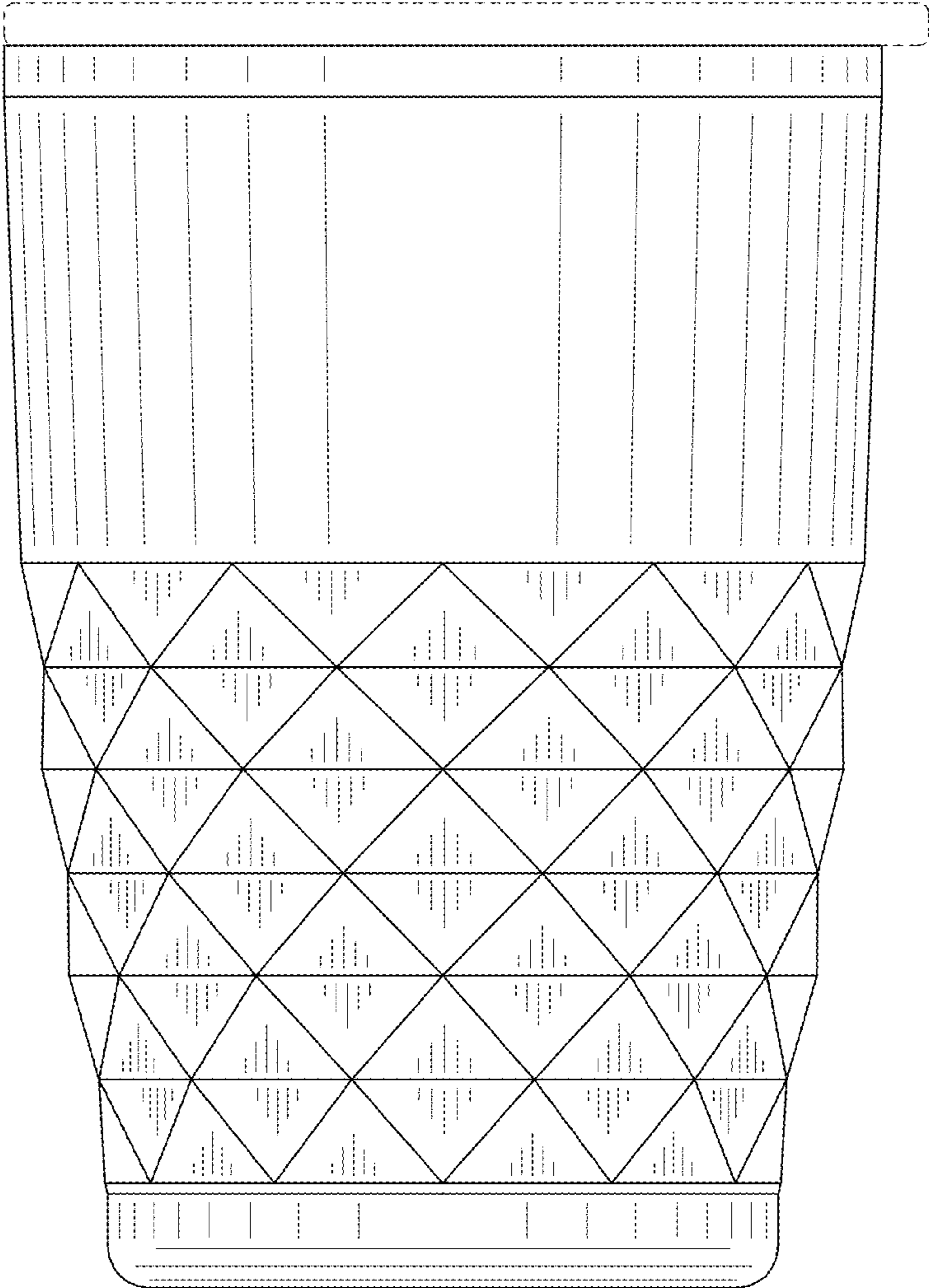


FIG. 3

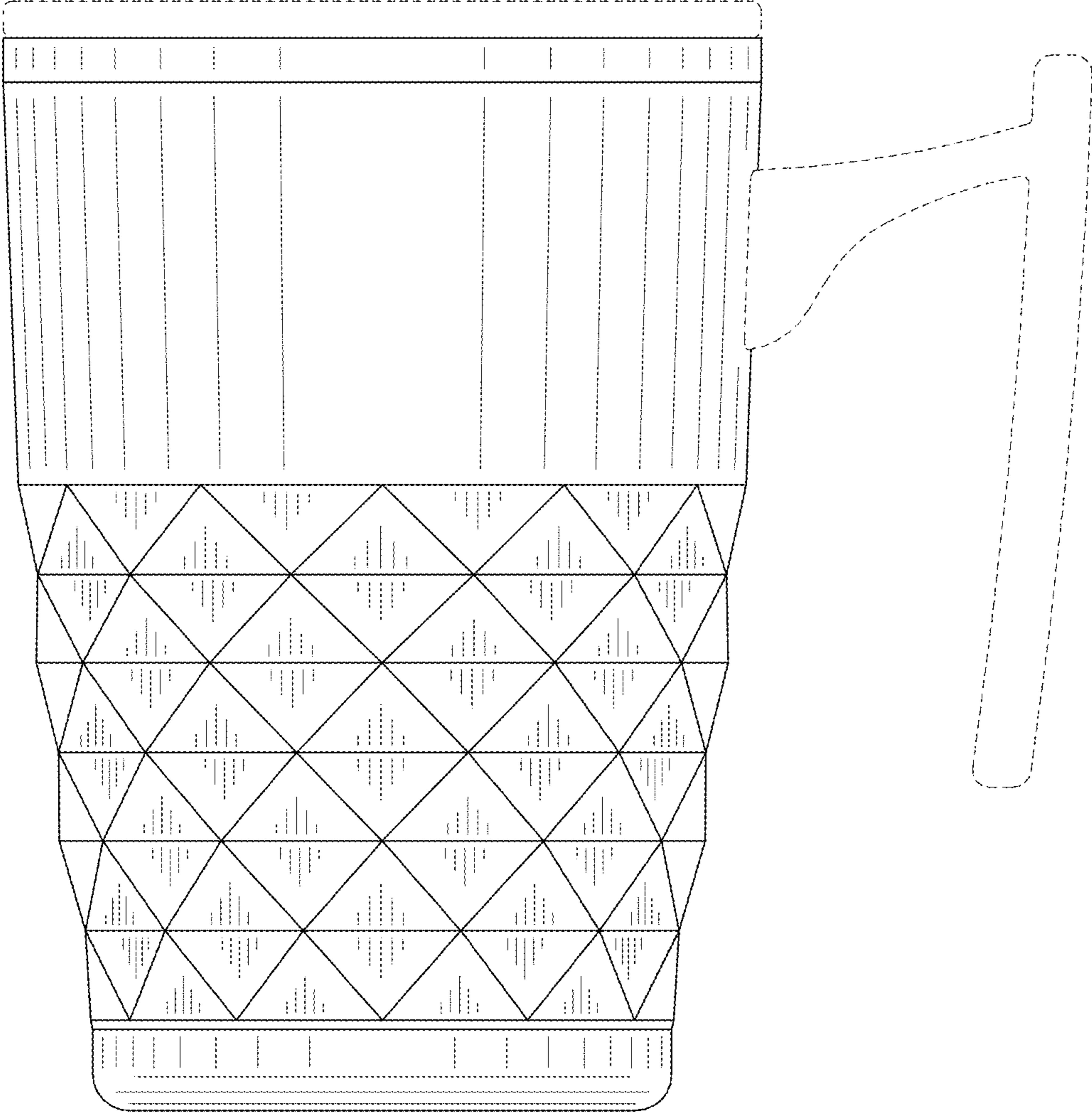


FIG. 4

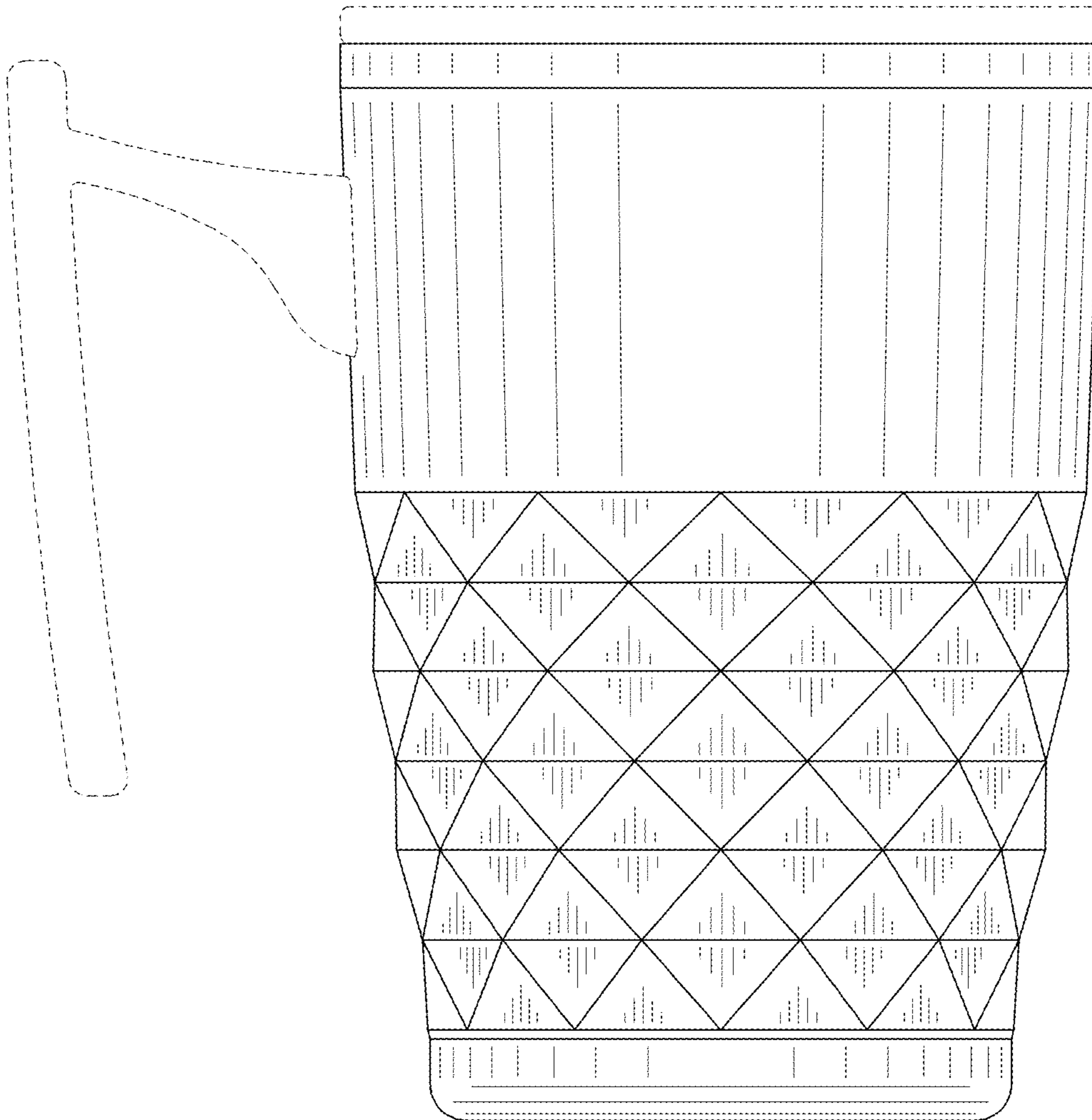


FIG. 5

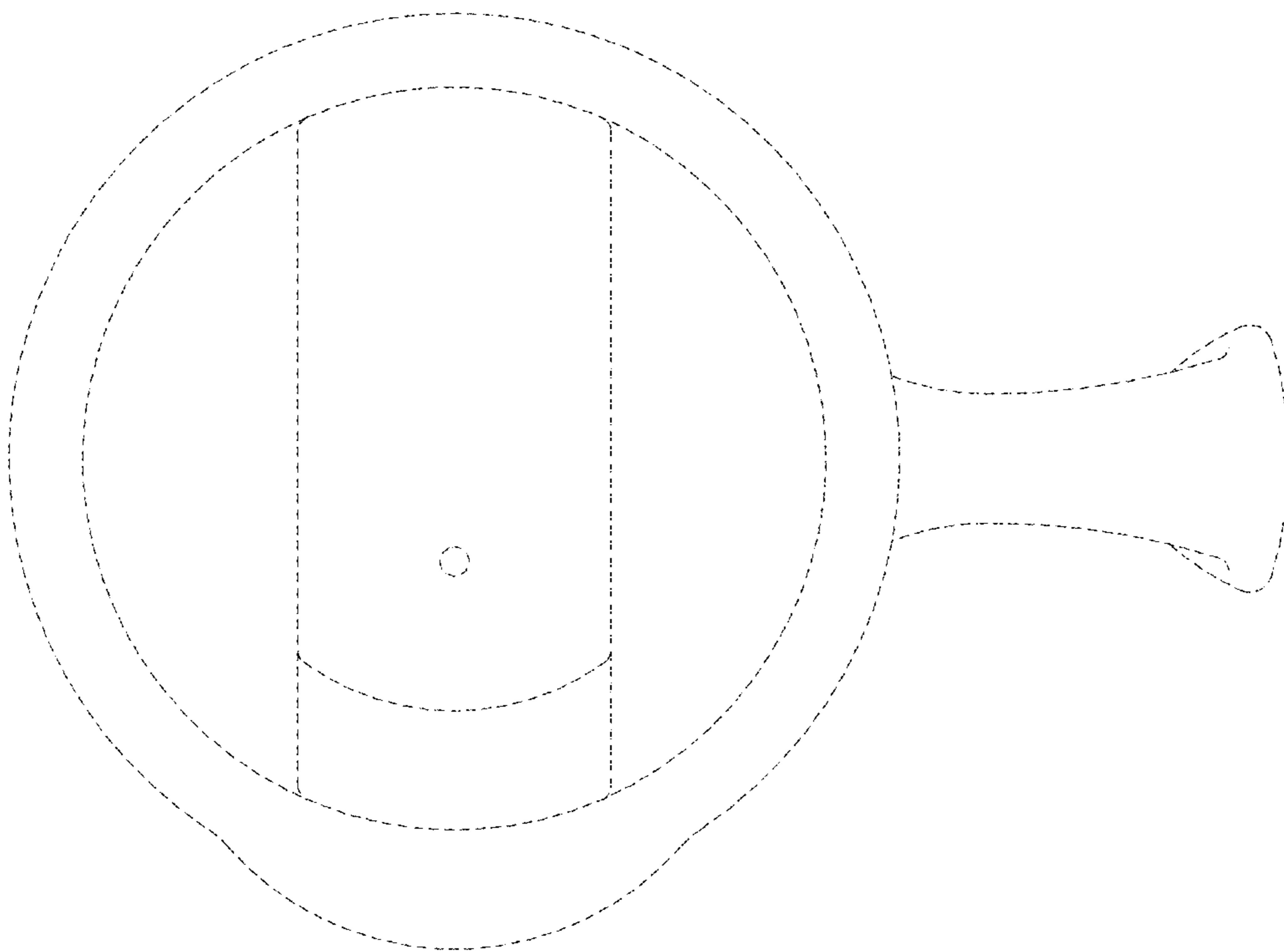


FIG. 6

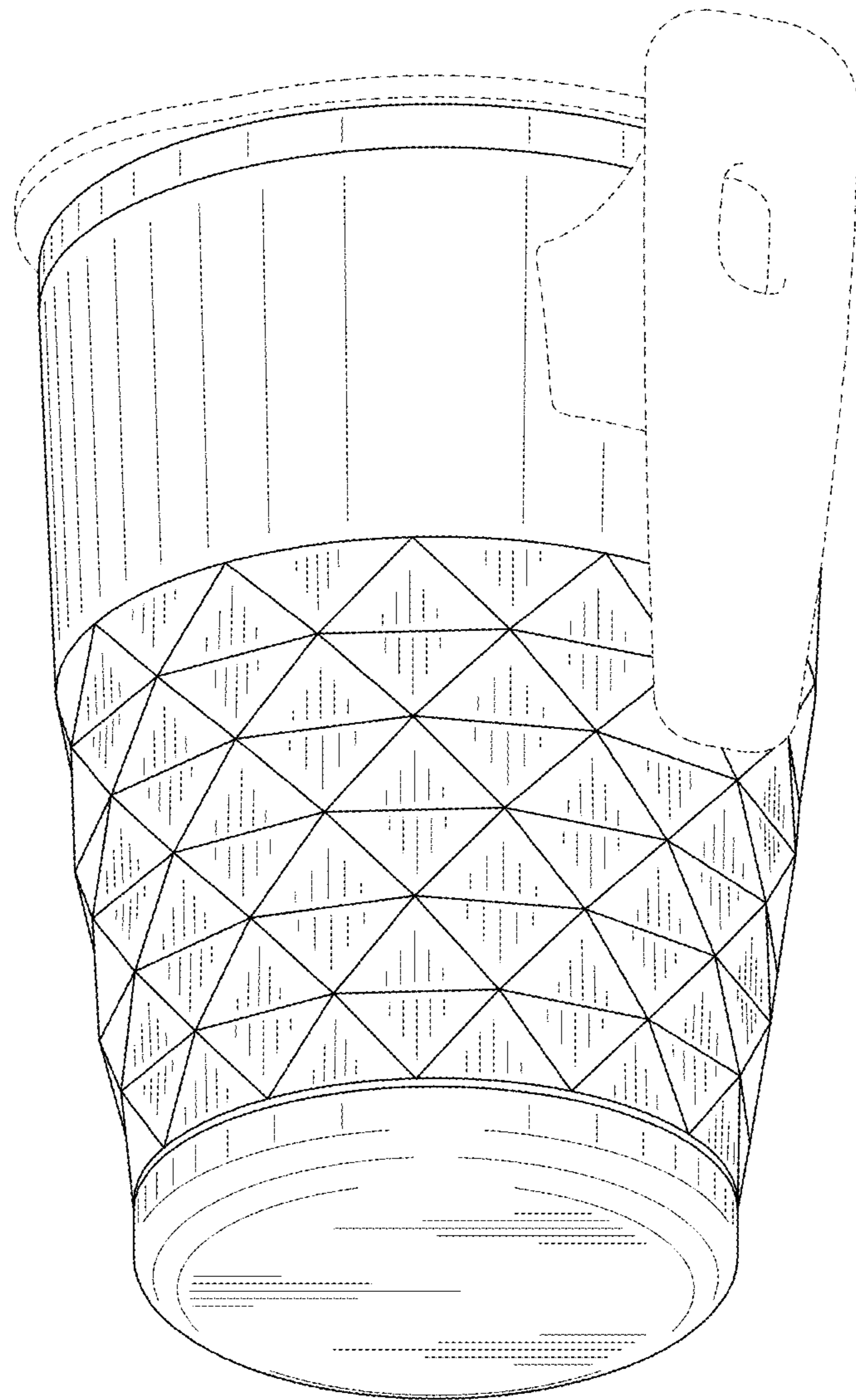


FIG. 7