



US00D808724S

(12) **United States Design Patent**
Haws

(10) **Patent No.:** **US D808,724 S**
(45) **Date of Patent:** **** Jan. 30, 2018**

- (54) **BASEBALL CUP**
- (71) Applicant: **River Granite Company**, Des Moines, IA (US)
- (72) Inventor: **James Haws**, Des Moines, IA (US)
- (73) Assignee: **River Granite Company**, Des Moines, IA (US)
- (**) Term: **15 Years**
- (21) Appl. No.: **29/569,011**
- (22) Filed: **Jun. 23, 2016**
- (51) **LOC (11) Cl.** **07-01**
- (52) **U.S. Cl.**
USPC **D7/515**; D7/901; D9/668; D9/618
- (58) **Field of Classification Search**
USPC D7/507, 510, 509, 300.1, 300, 397, 514, D7/515, 901; D3/202, 215; 222/175; 224/148.6, 148.2, 148.3; D9/668, 618
CPC A45F 3/20; A45F 2005/008; A45F 5/00; A45F 3/16
See application file for complete search history.

- D587,070 S * 2/2009 Thompson D7/510
- D595,467 S * 6/2009 Woford D34/4
- D601,851 S * 10/2009 Lopez D7/510
- D624,268 S * 9/2010 Woford D34/4
- D710,153 S * 8/2014 Marini D7/515
- D712,277 S * 9/2014 Marra D9/519
- D755,014 S * 5/2016 Hebert D7/515

* cited by examiner

Primary Examiner — Marianne Pandozzi

(74) *Attorney, Agent, or Firm* — McKee, Voorhees & Sease, PLC

(57) **CLAIM**

I claim the ornamental design for a baseball cup, substantially as shown.

DESCRIPTION

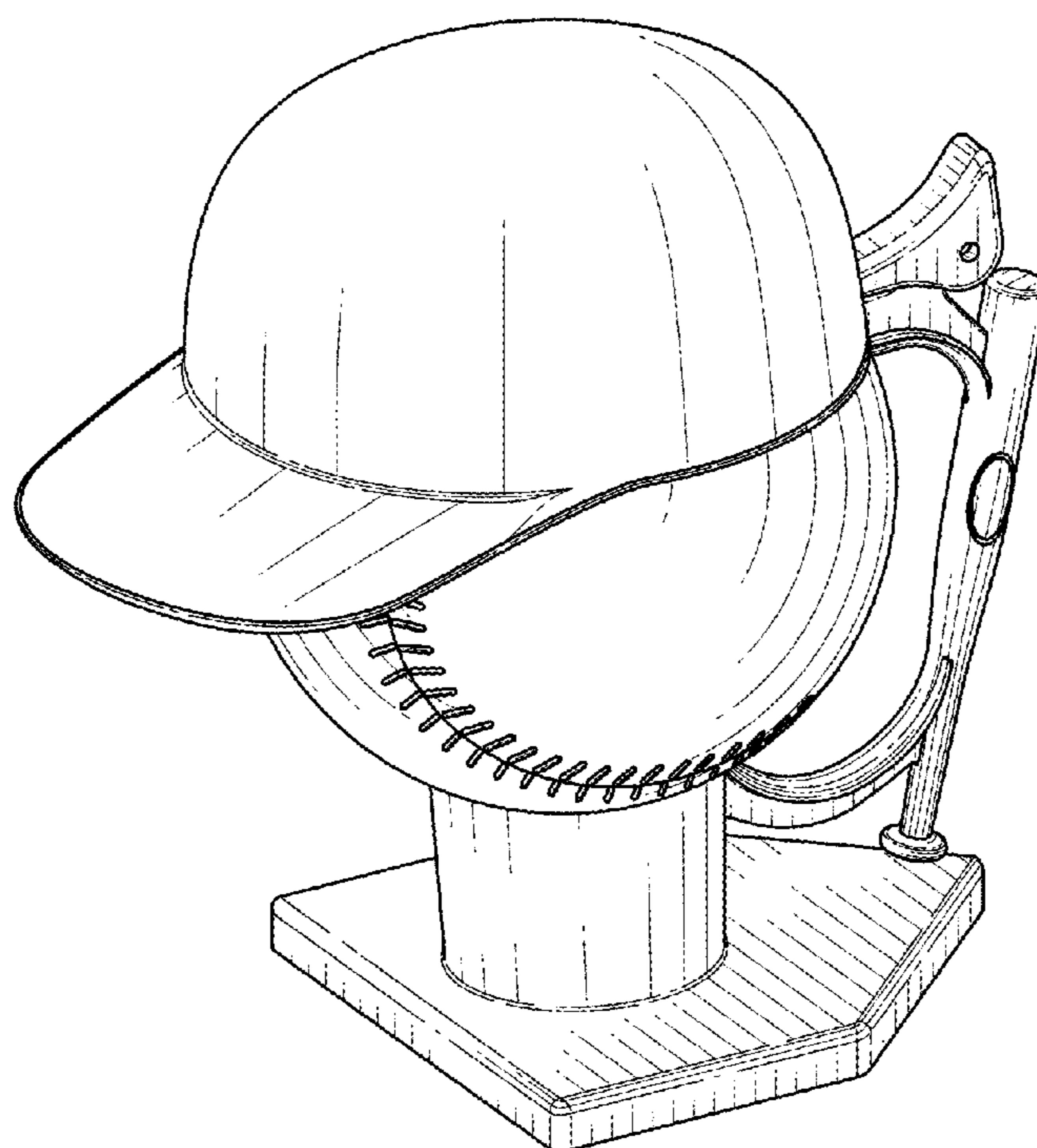
FIG. 1 is a perspective view of a baseball cup showing my new design with the cap in closed position;
 FIG. 2 is a rear perspective view thereof;
 FIG. 3 is a front elevational view thereof;
 FIG. 4 is a rear elevational view thereof;
 FIG. 5 is a left side elevational view thereof;
 FIG. 6 is a right side elevational view thereof;
 FIG. 7 is a top plan view thereof;
 FIG. 8 is a perspective view of the baseball cup showing my new design with the cap in open position;
 FIG. 9 is a front elevational view thereof;
 FIG. 10 is a rear elevational view thereof;
 FIG. 11 is a left side elevational view thereof;
 FIG. 12 is a right side elevational view thereof; and,
 FIG. 13 is a top plan view thereof.

1 Claim, 9 Drawing Sheets

(56) **References Cited**

U.S. PATENT DOCUMENTS

- D208,314 S * 8/1967 Guerrero D99/37
- D339,239 S * 9/1993 Perkins D6/303
- D349,627 S * 8/1994 Rigsby D7/514
- D370,829 S * 6/1996 Neale D7/515
- D474,372 S * 5/2003 Leon D7/301
- D547,516 S * 7/2007 Woford D34/4



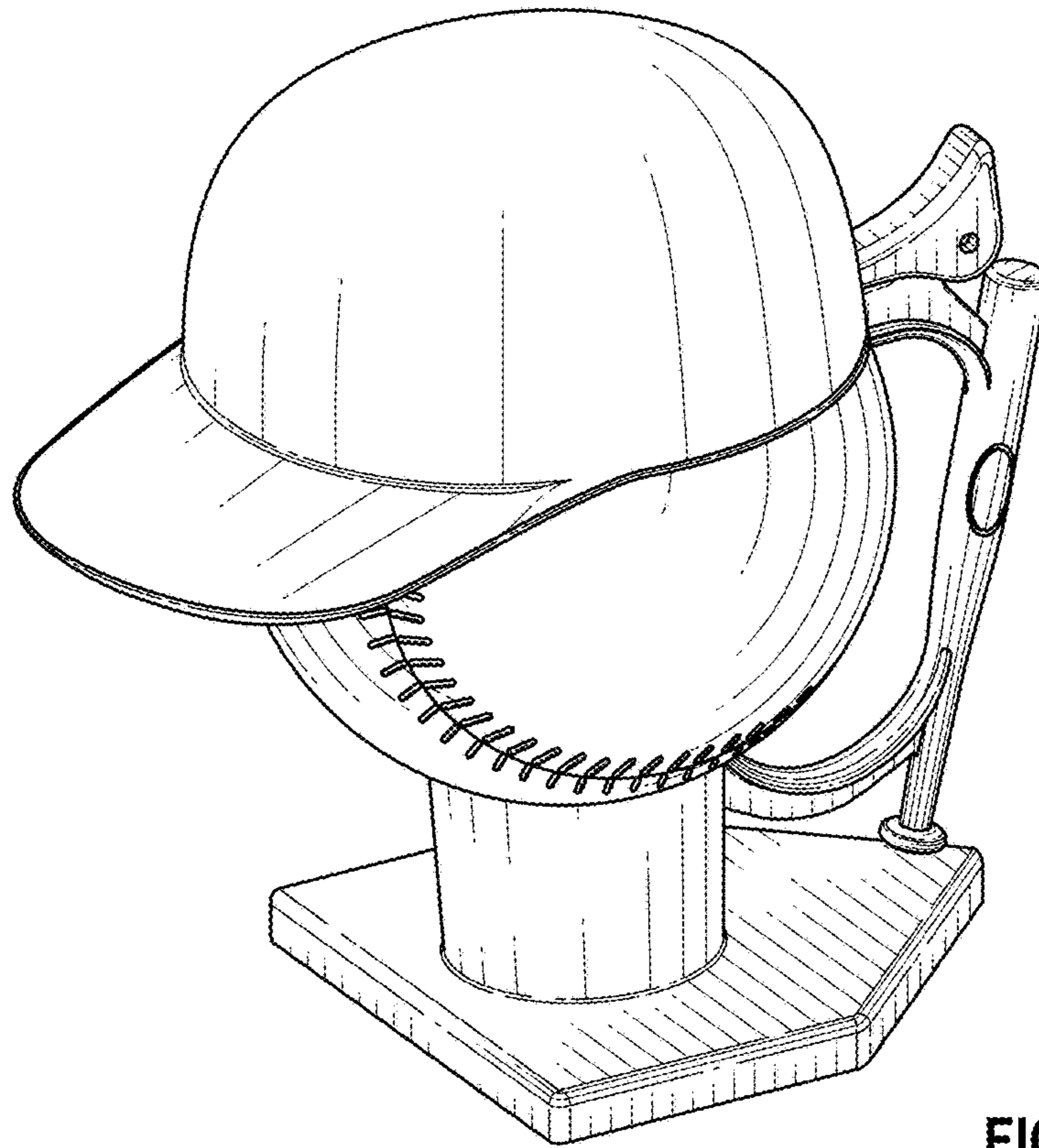


FIG. 1

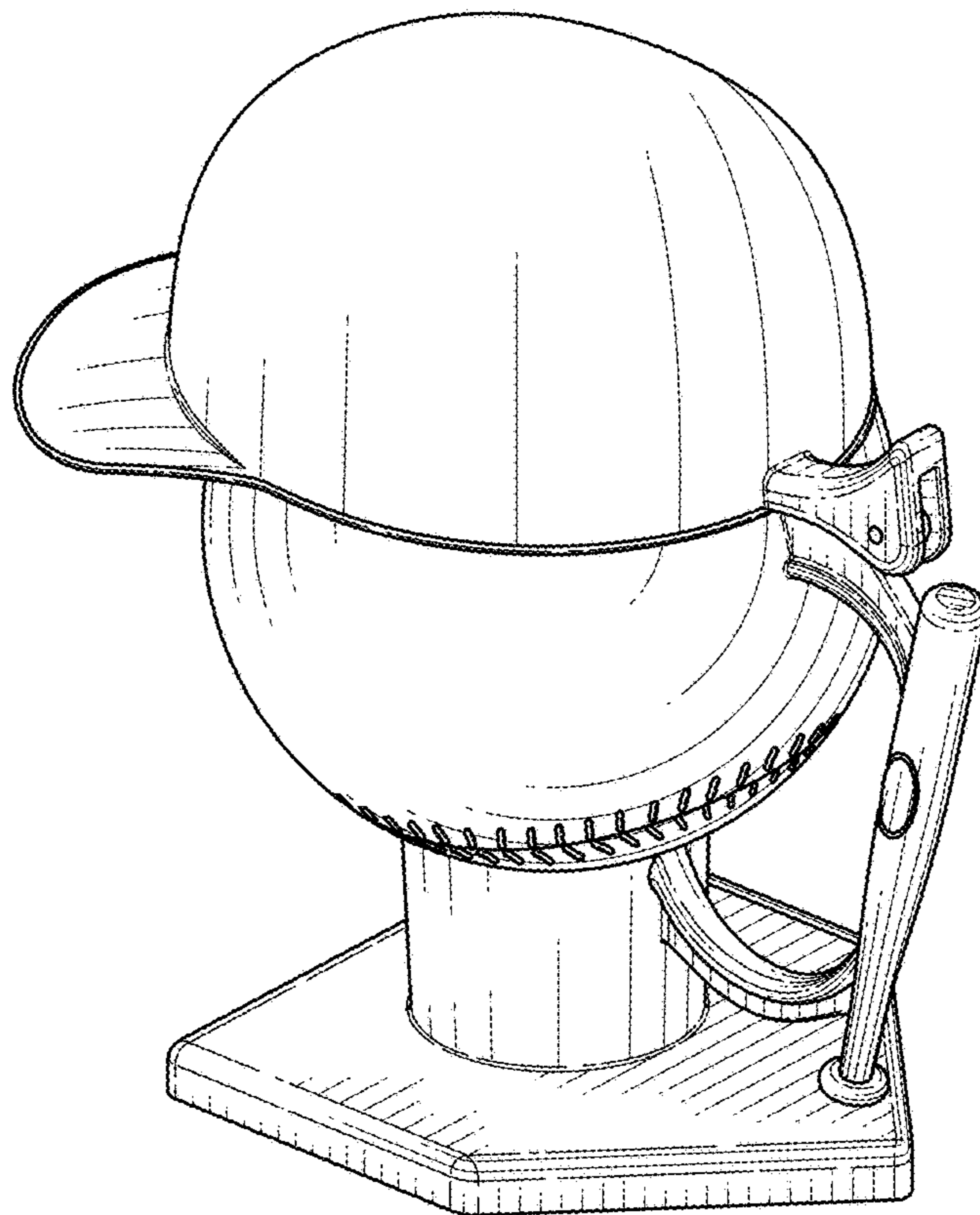


FIG. 2

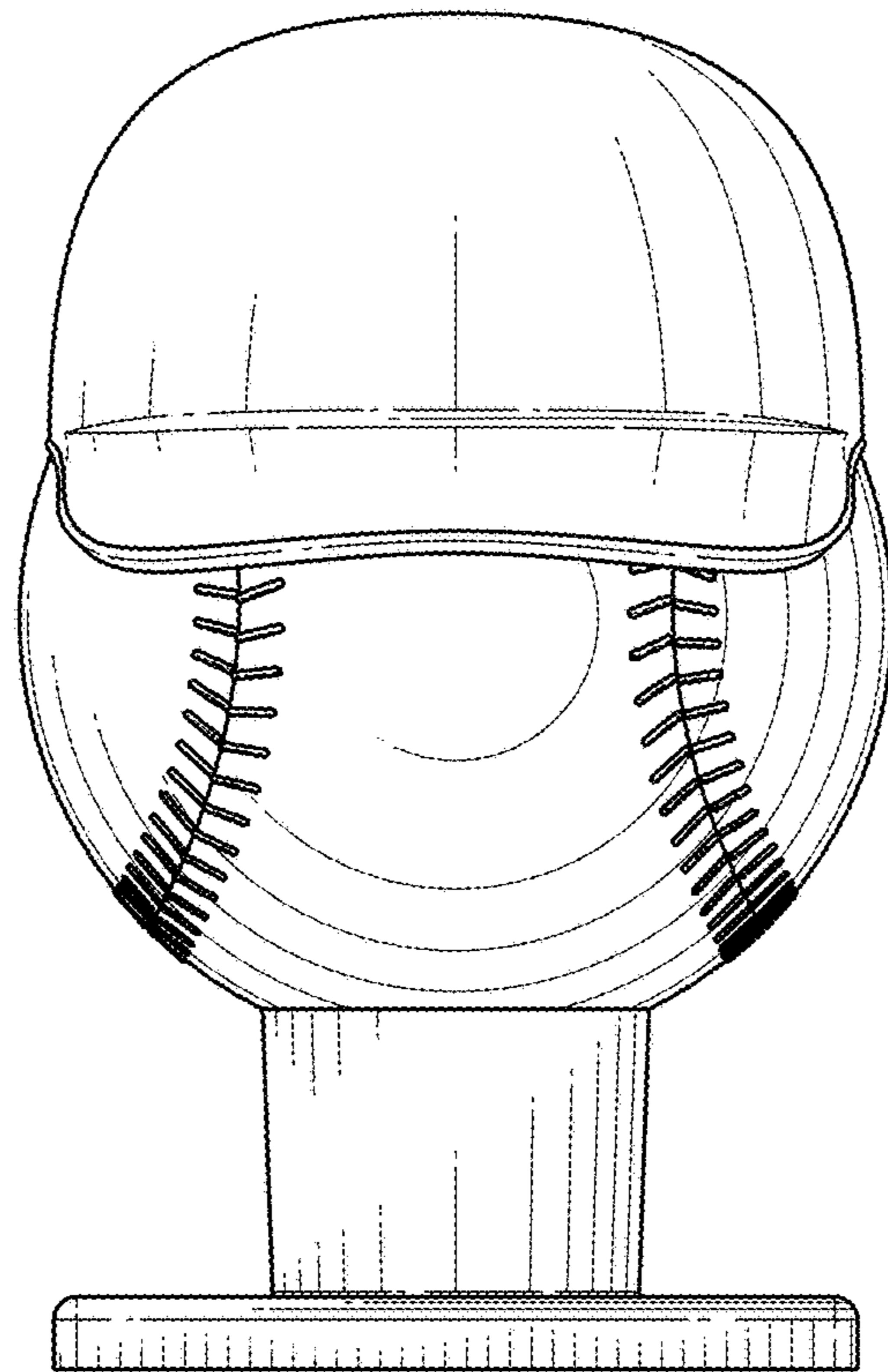


FIG. 3

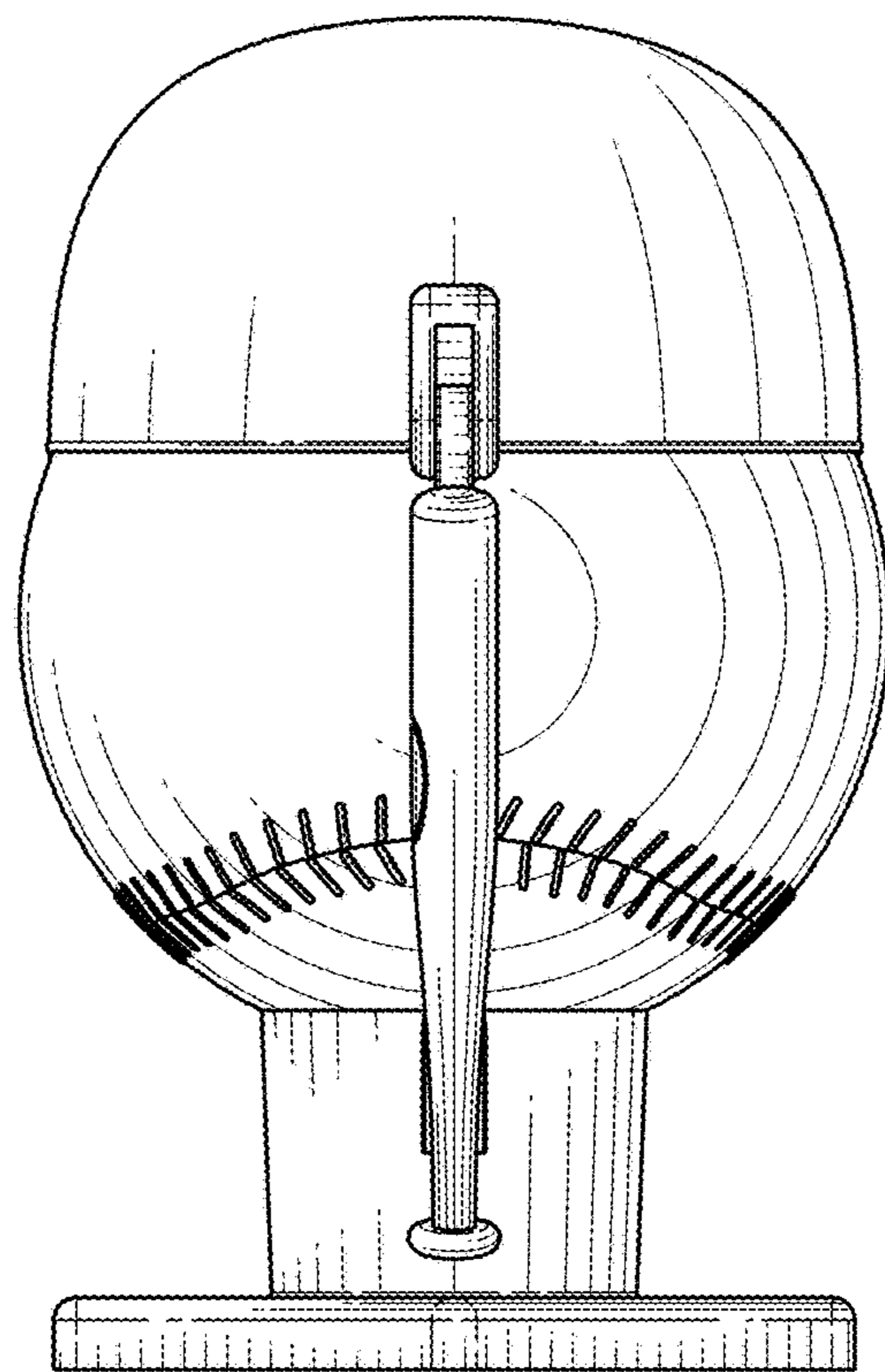


FIG. 4

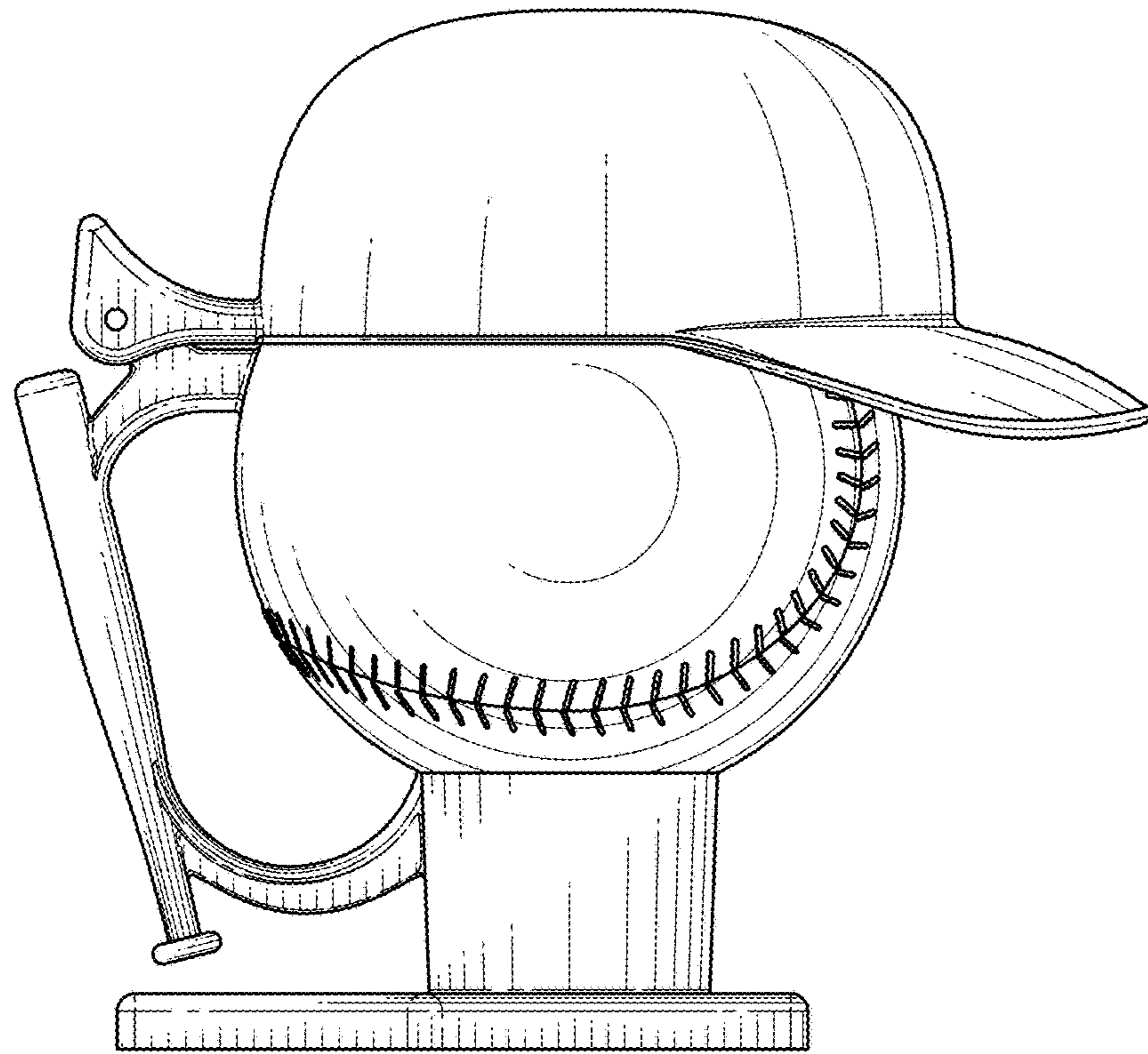


FIG. 5

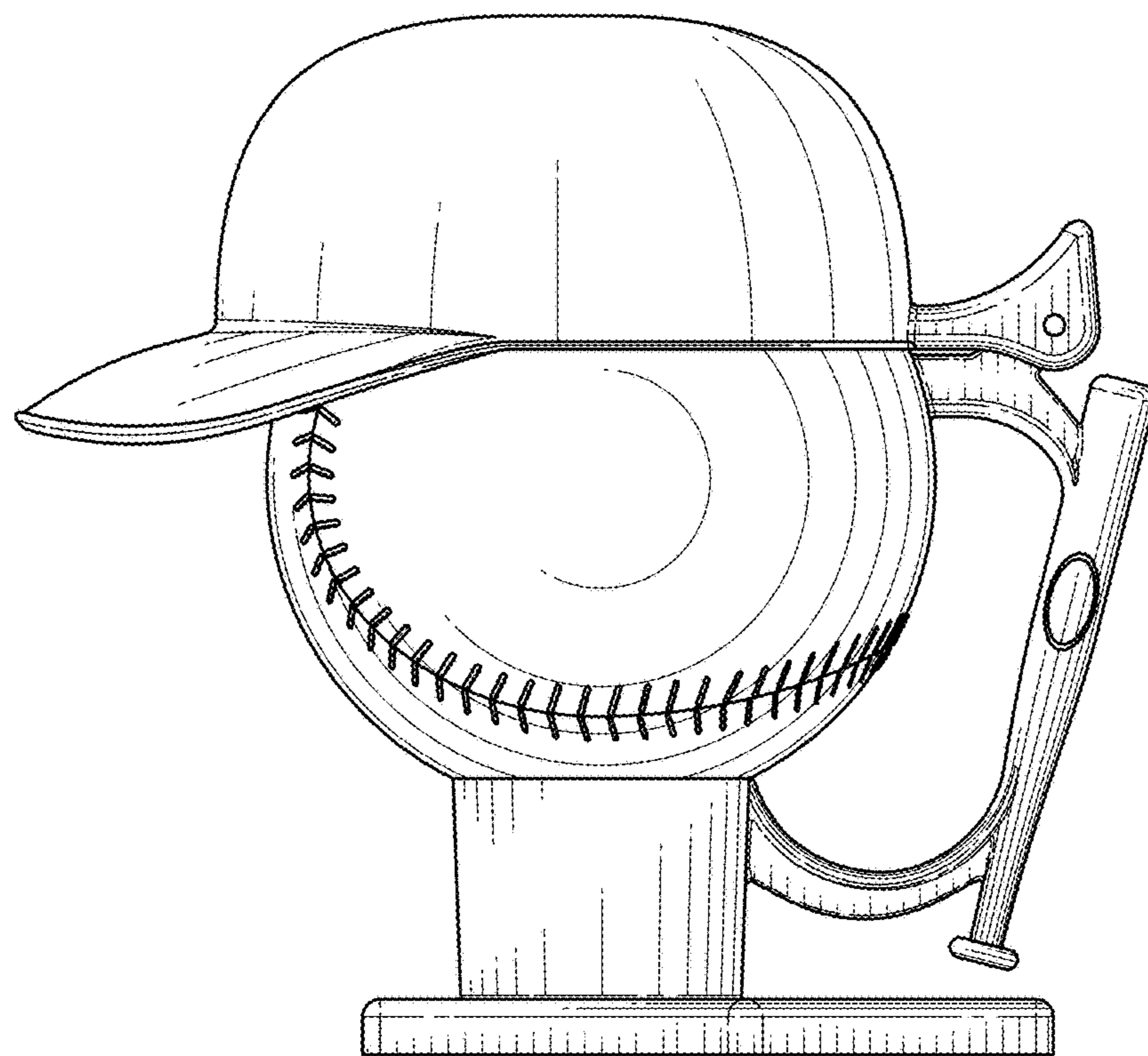


FIG. 6

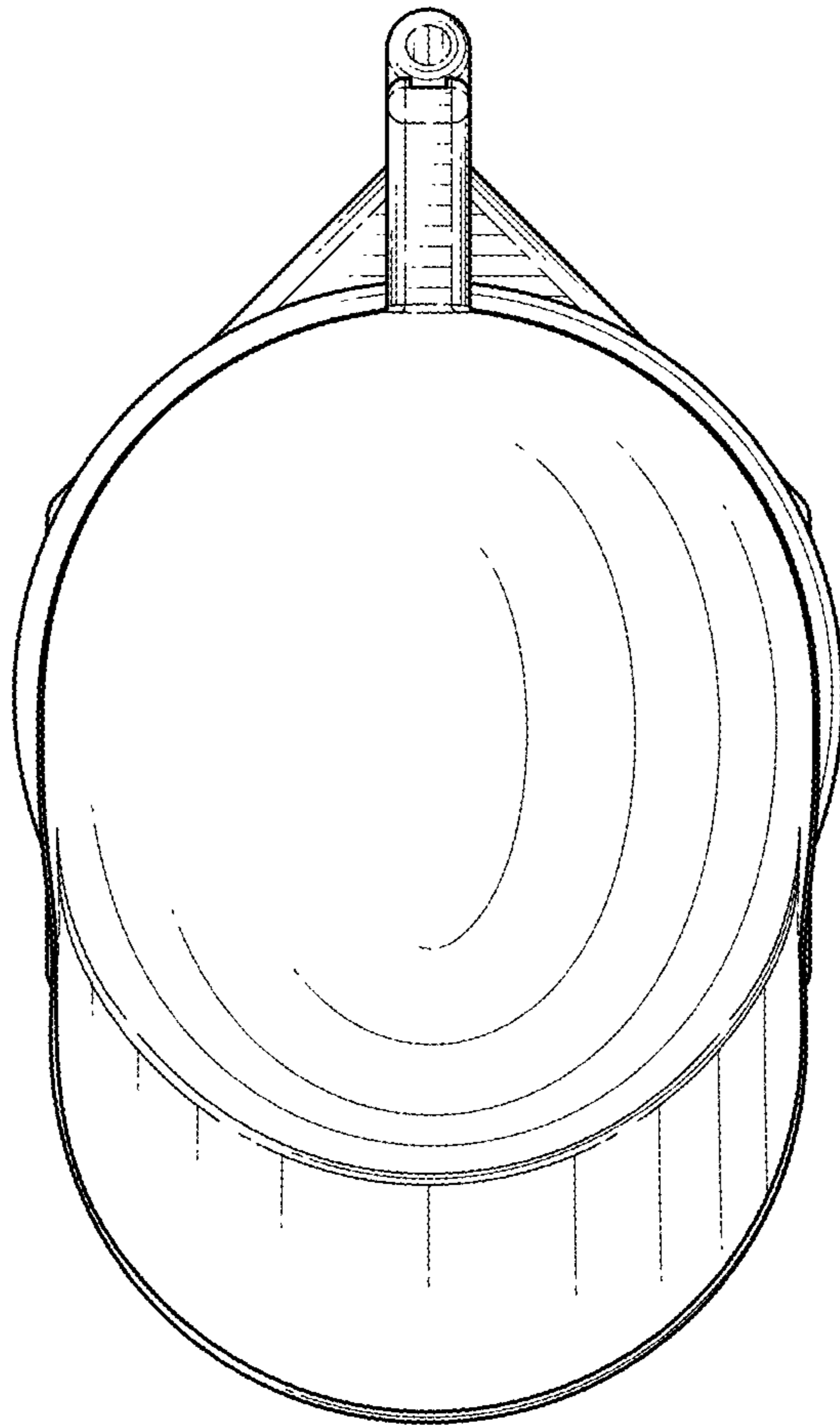


FIG. 7

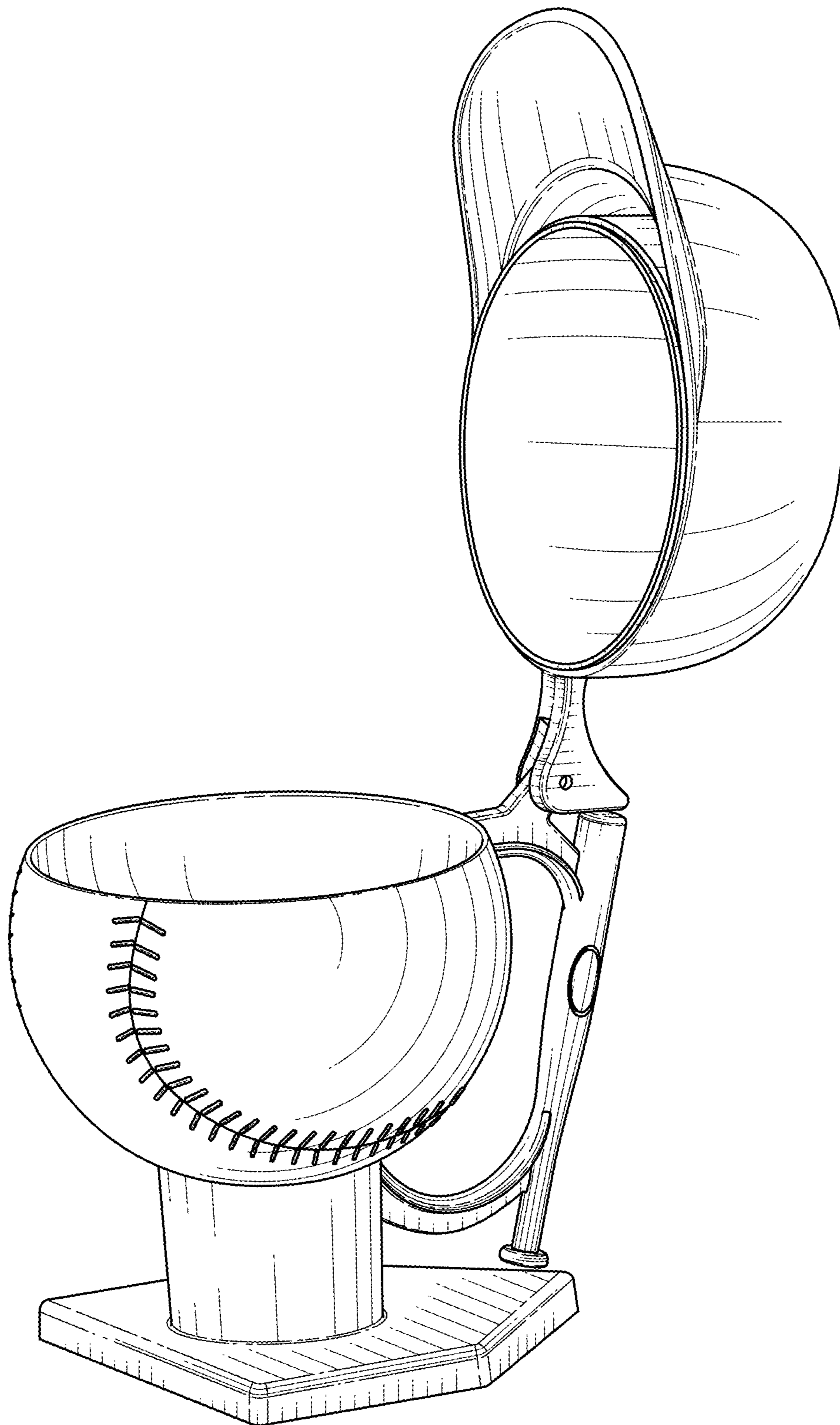


FIG. 8

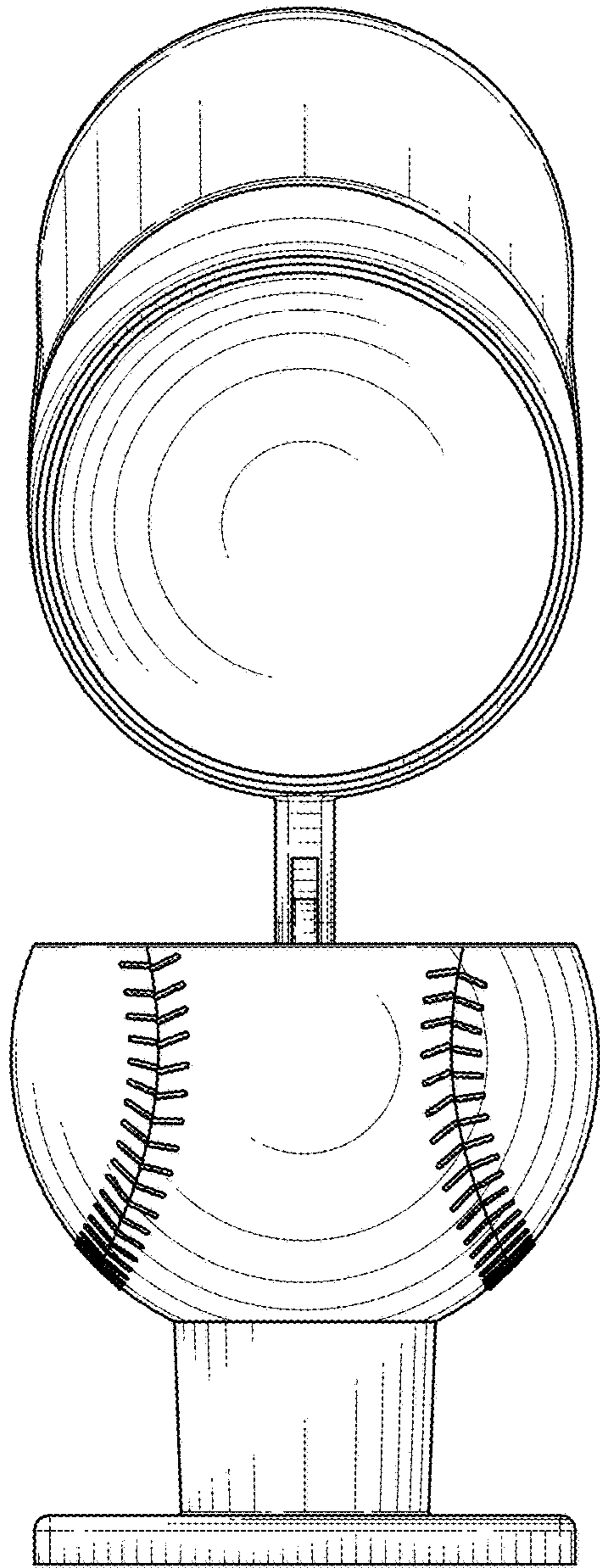


FIG. 9

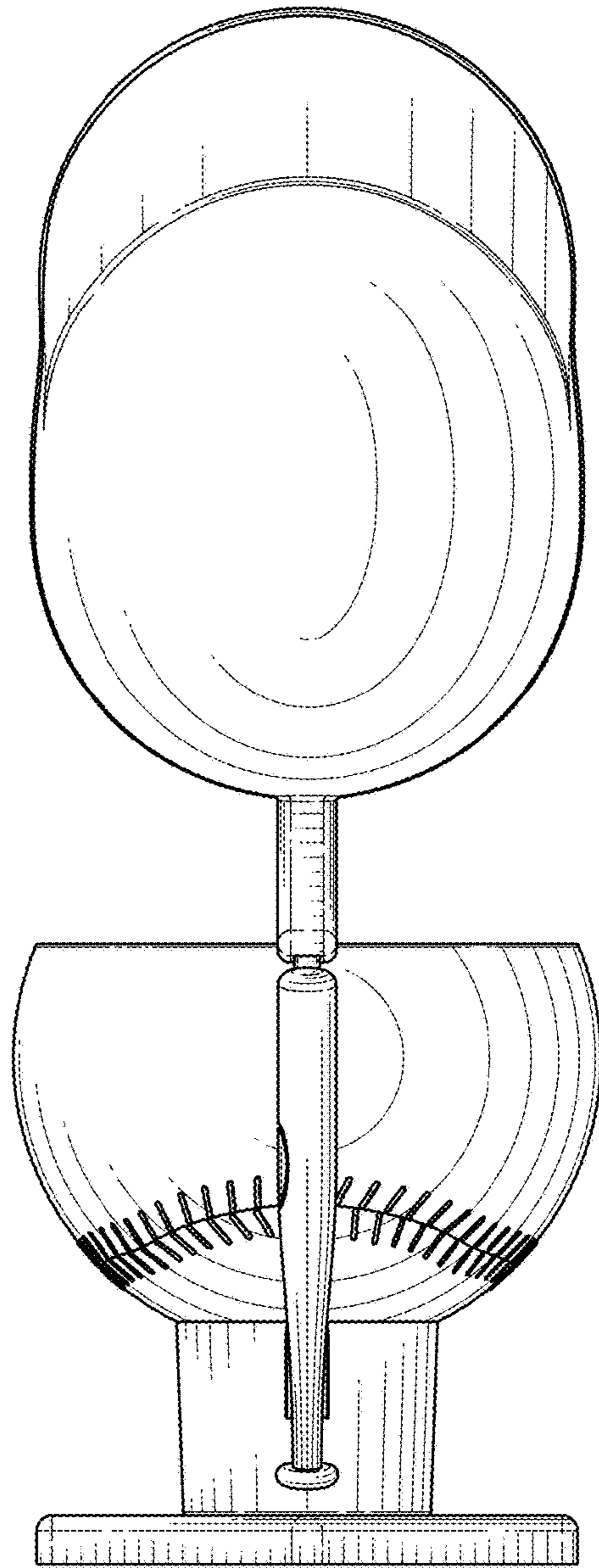


FIG. 10

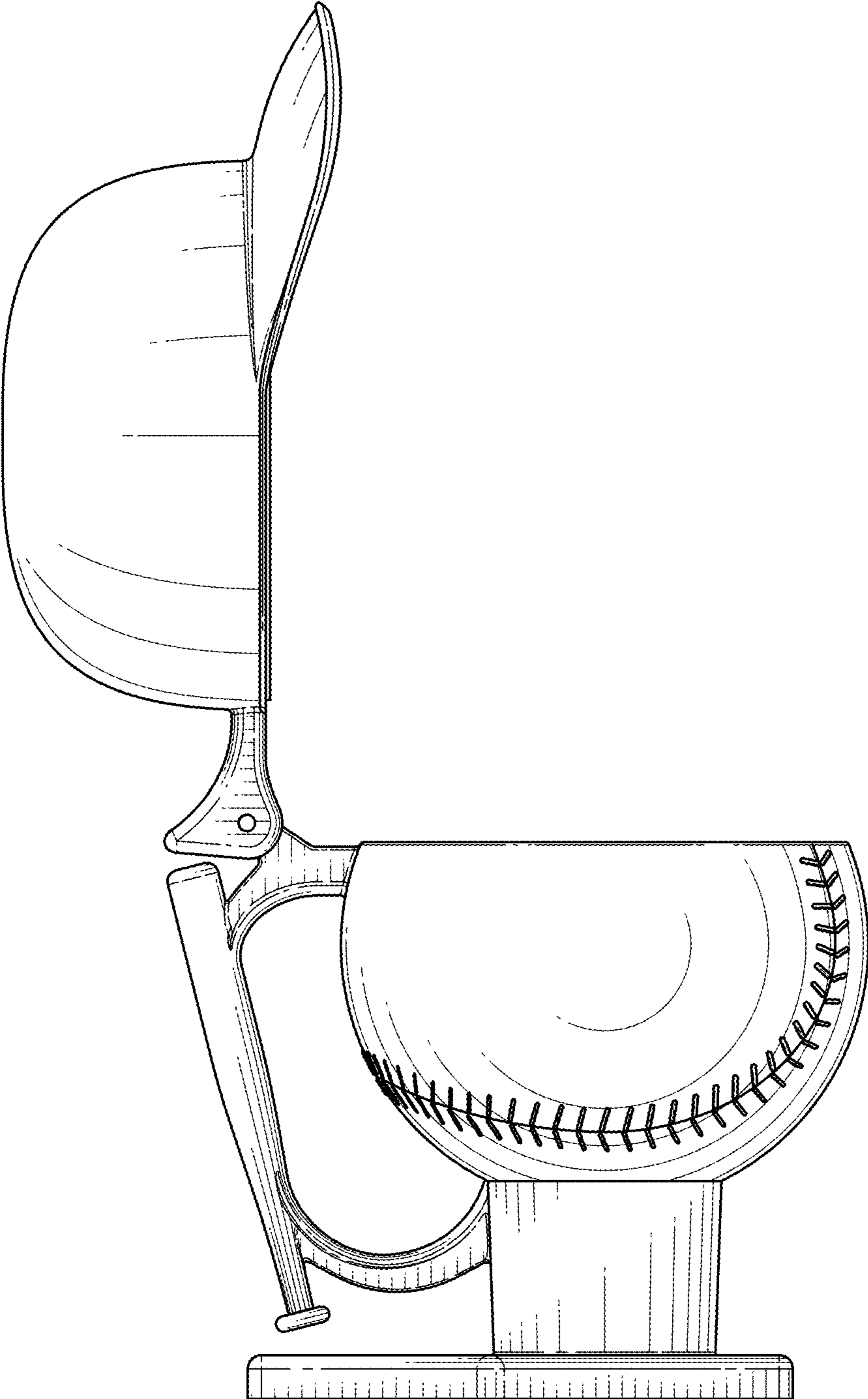


FIG. 11

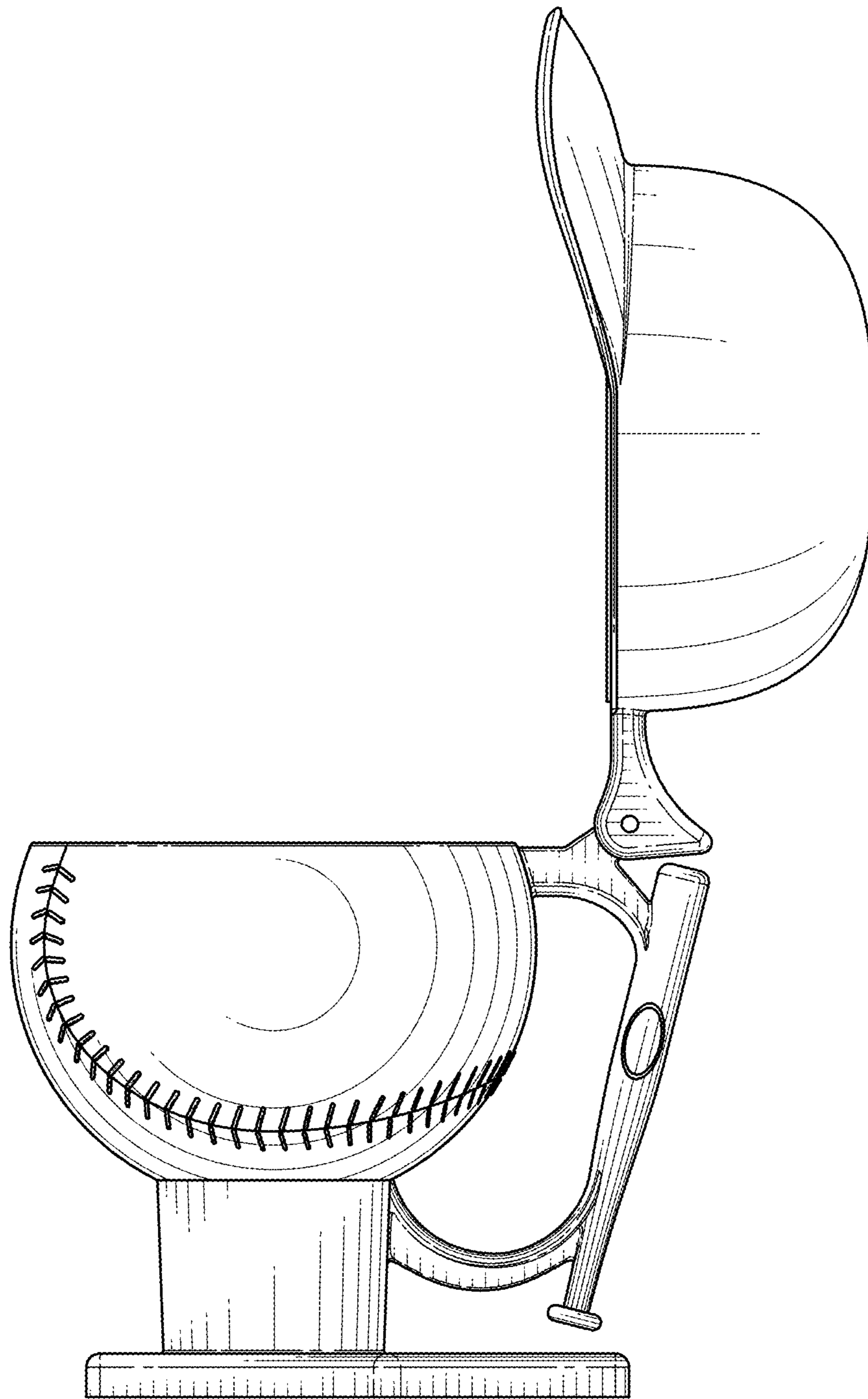


FIG. 12

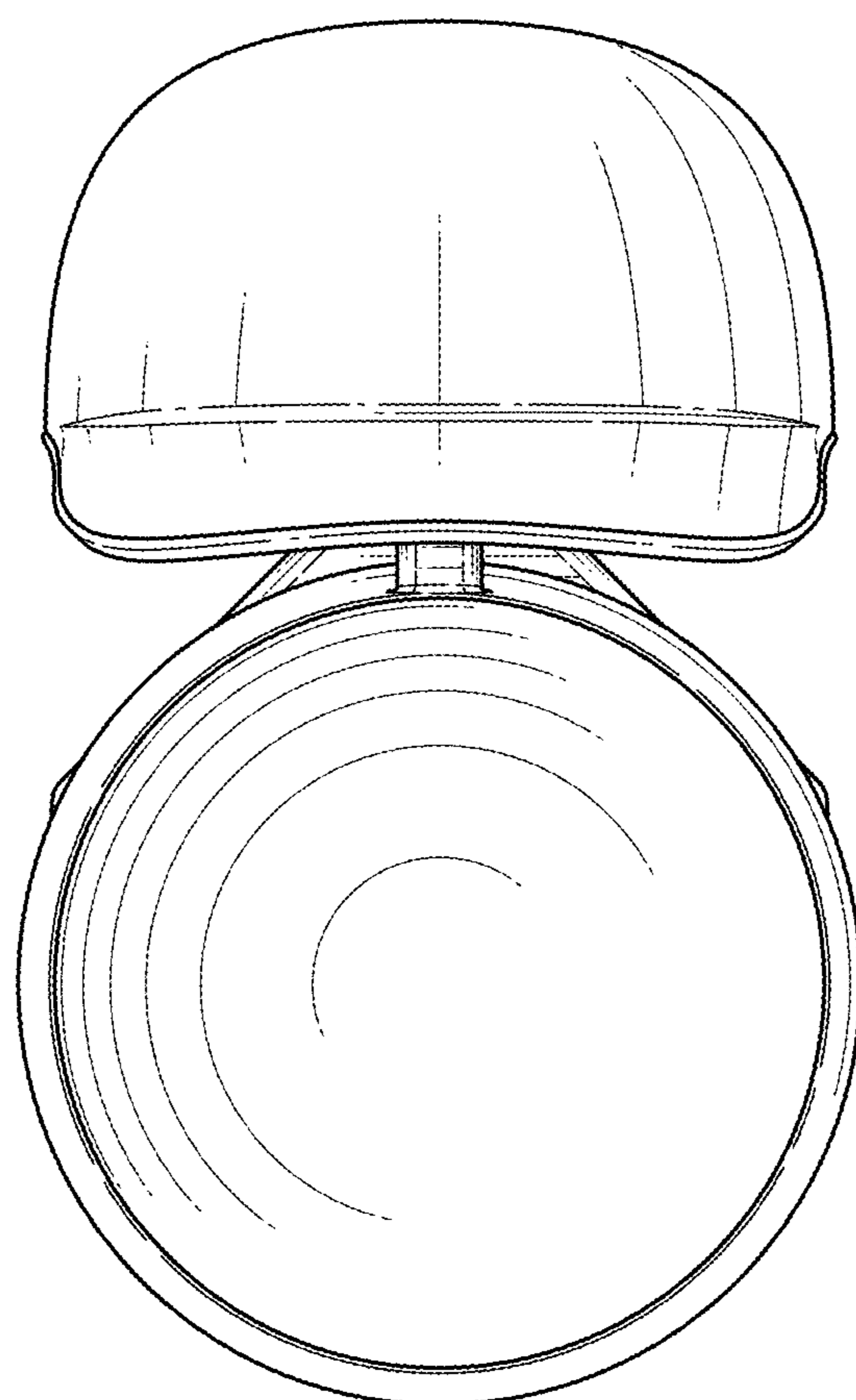


FIG. 13