



US00D808723S

(12) **United States Design Patent**
Guthrie

(10) **Patent No.:** **US D808,723 S**
(45) **Date of Patent:** **** Jan. 30, 2018**

(54) **BEVERAGE CONTAINER**

D774,837 S * 12/2016 Seiders D7/608
D784,765 S * 4/2017 Yao D7/510

(71) Applicant: **Pacific Market International, LLC**,
Seattle, WA (US)

* cited by examiner

(72) Inventor: **Emily Claire Guthrie**, Seattle, WA
(US)

Primary Examiner — Daniel D Bui

Assistant Examiner — Andrew Kerr

(73) Assignee: **Pacific Market International, LLC**,
Seattle, WA (US)

(74) *Attorney, Agent, or Firm* — George C. Rondeau, Jr.;
Davis Wright Tremaine LLP

(**) Term: **15 Years**

(57) **CLAIM**

The ornamental design for a beverage container, as shown
and described.

(21) Appl. No.: **29/567,149**

DESCRIPTION

(22) Filed: **Jun. 6, 2016**

(51) **LOC (11) Cl.** **07-01**

(52) **U.S. Cl.**

USPC **D7/511**; D9/529

(58) **Field of Classification Search**

USPC D7/509, 510, 511, 523, 538, 543;
220/200, 705–710, 592.16, 592.17;
215/396–400; D23/209; 210/203, 205,
210/206

CPC A47G 19/22; A47G 19/2205;
A47G 19/2211; A47G 19/2216; A47G
19/2272; A47G 19/2288; A45F 3/16;
A47J 43/27; B65D 41/04; B65D 41/56;
B65D 43/02; B65D 47/08

See application file for complete search history.

FIG. 1 is a top perspective view of a first embodiment of a
beverage container showing my new design.

FIG. 2 is a bottom perspective view thereof.

FIG. 3 is a front elevational view thereof.

FIG. 4 is a right side elevational view thereof.

FIG. 5 is a rear elevational view thereof.

FIG. 6 is a left side elevational view thereof.

FIG. 7 is a top plan view thereof.

FIG. 8 is a bottom plan view thereof.

FIG. 9 is a top perspective view of a second embodiment
thereof.

FIG. 10 is a bottom perspective view thereof.

FIG. 11 is a front elevational view thereof.

FIG. 12 is a right side elevational view thereof.

FIG. 13 is a rear elevational view thereof.

FIG. 14 is a left side elevational view thereof.

FIG. 15 is a top plan view thereof; and,

FIG. 16 is a bottom plan view thereof.

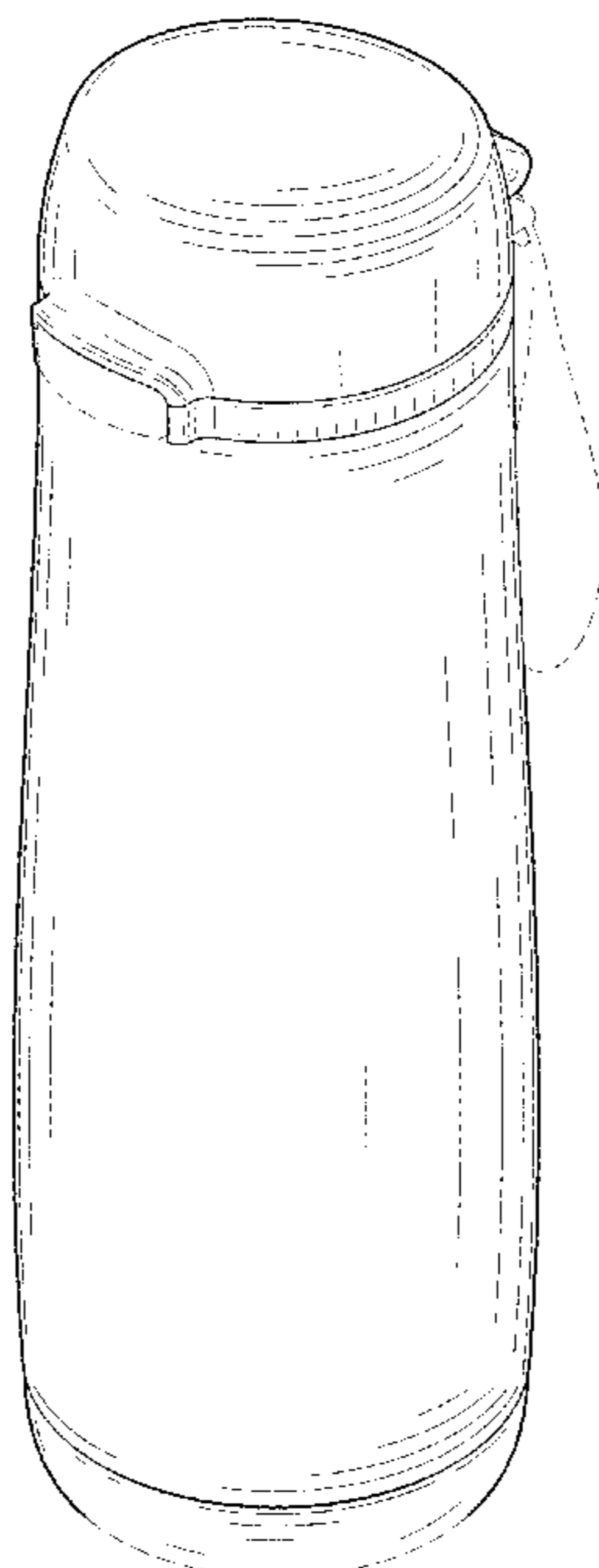
The broken lines in the drawing views represent unclaimed
portions of a beverage container, which are included for the
purpose of illustrating unclaimed environment only, and
forms no part of the claimed design.

(56) **References Cited**

U.S. PATENT DOCUMENTS

D699,516 S * 2/2014 Kim D7/510
D731,244 S * 6/2015 Kohl D7/510
D741,655 S * 10/2015 Whelan D7/300.1
D744,781 S * 12/2015 Rummel D7/511

1 Claim, 14 Drawing Sheets



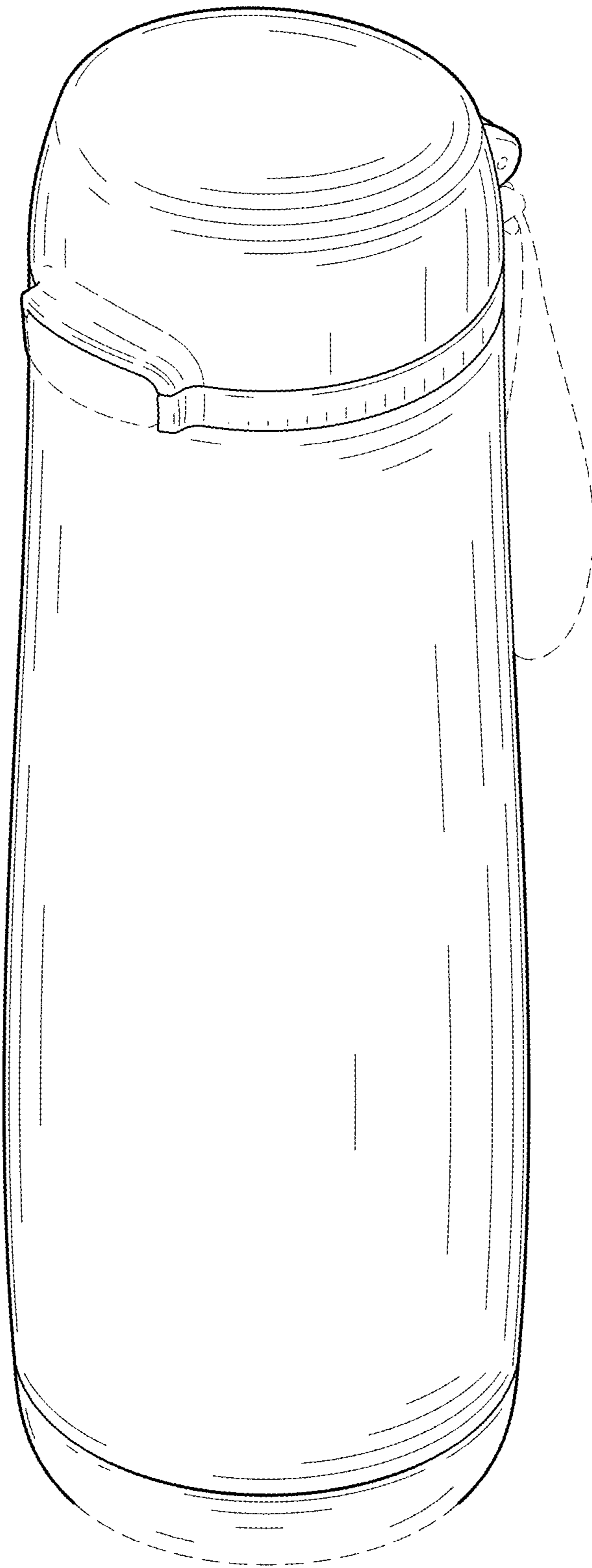


FIG. 1

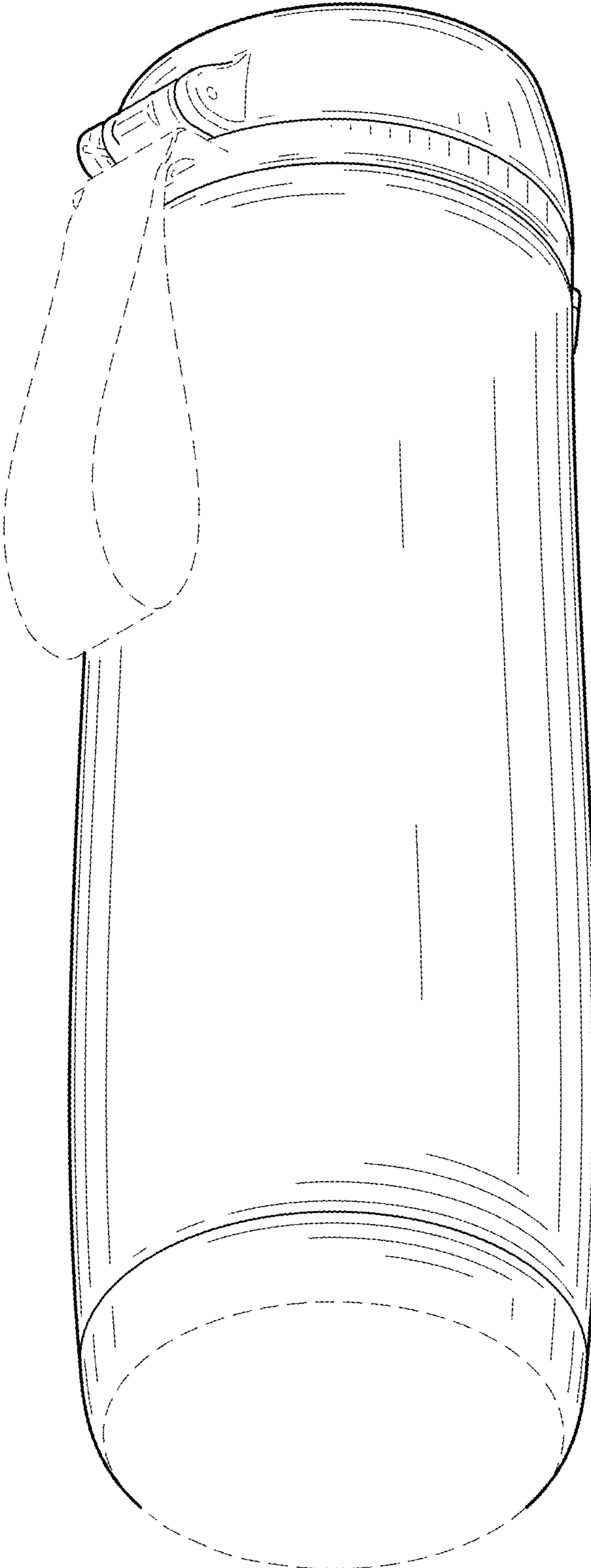


FIG. 2

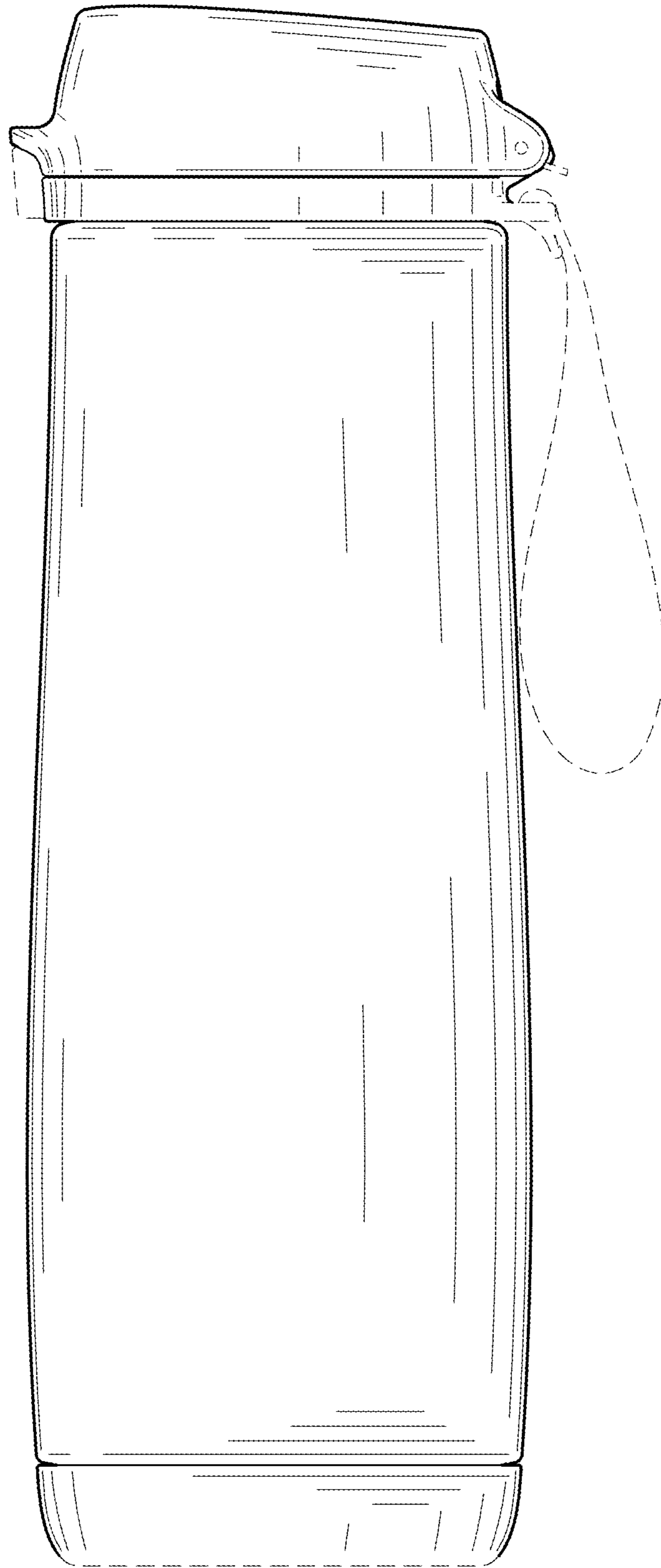


FIG. 3

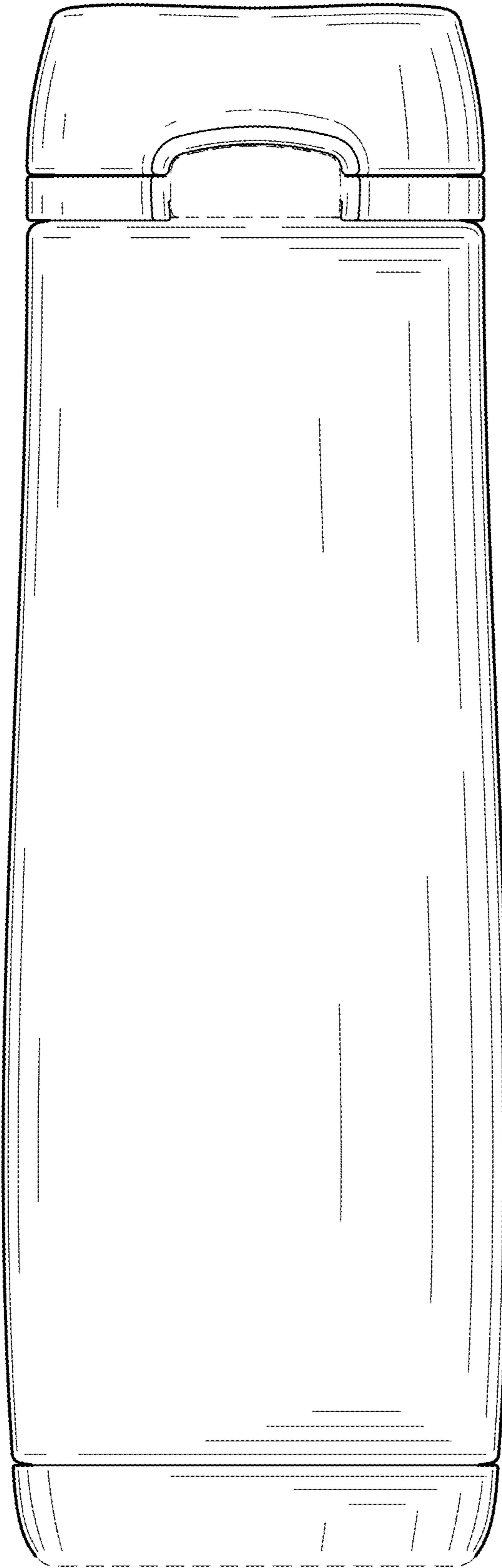


FIG. 4

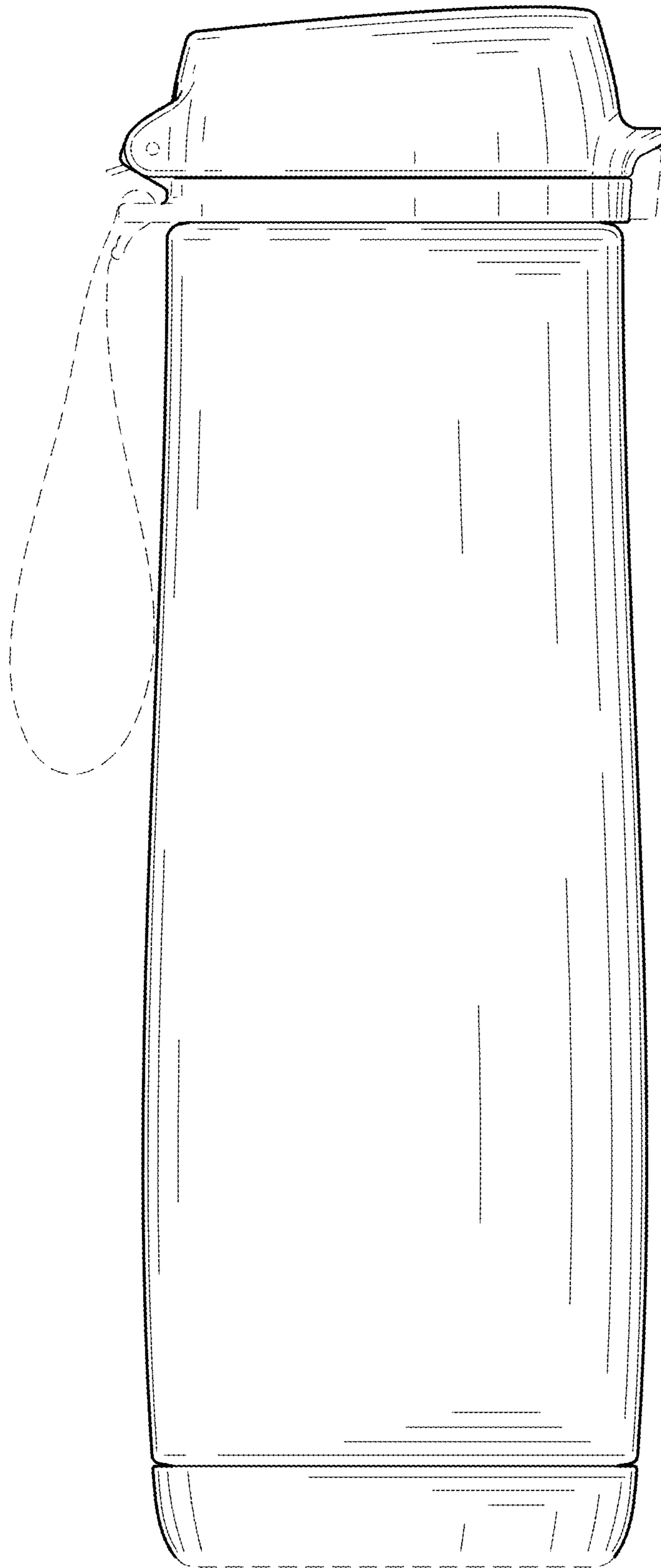


FIG. 5

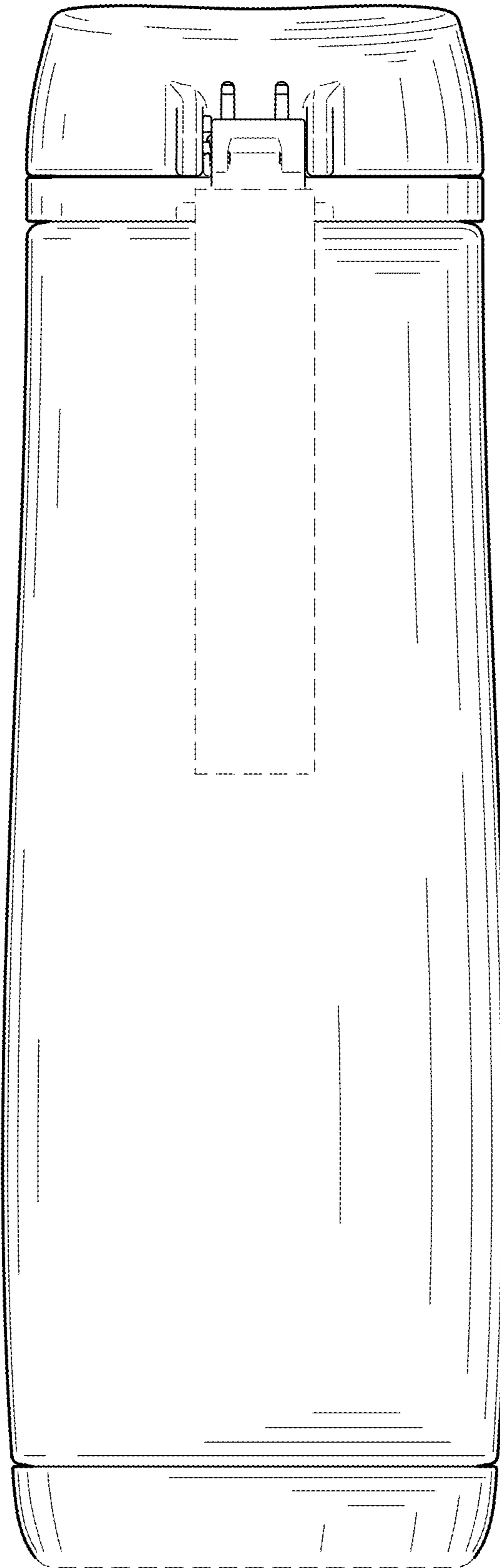


FIG. 6

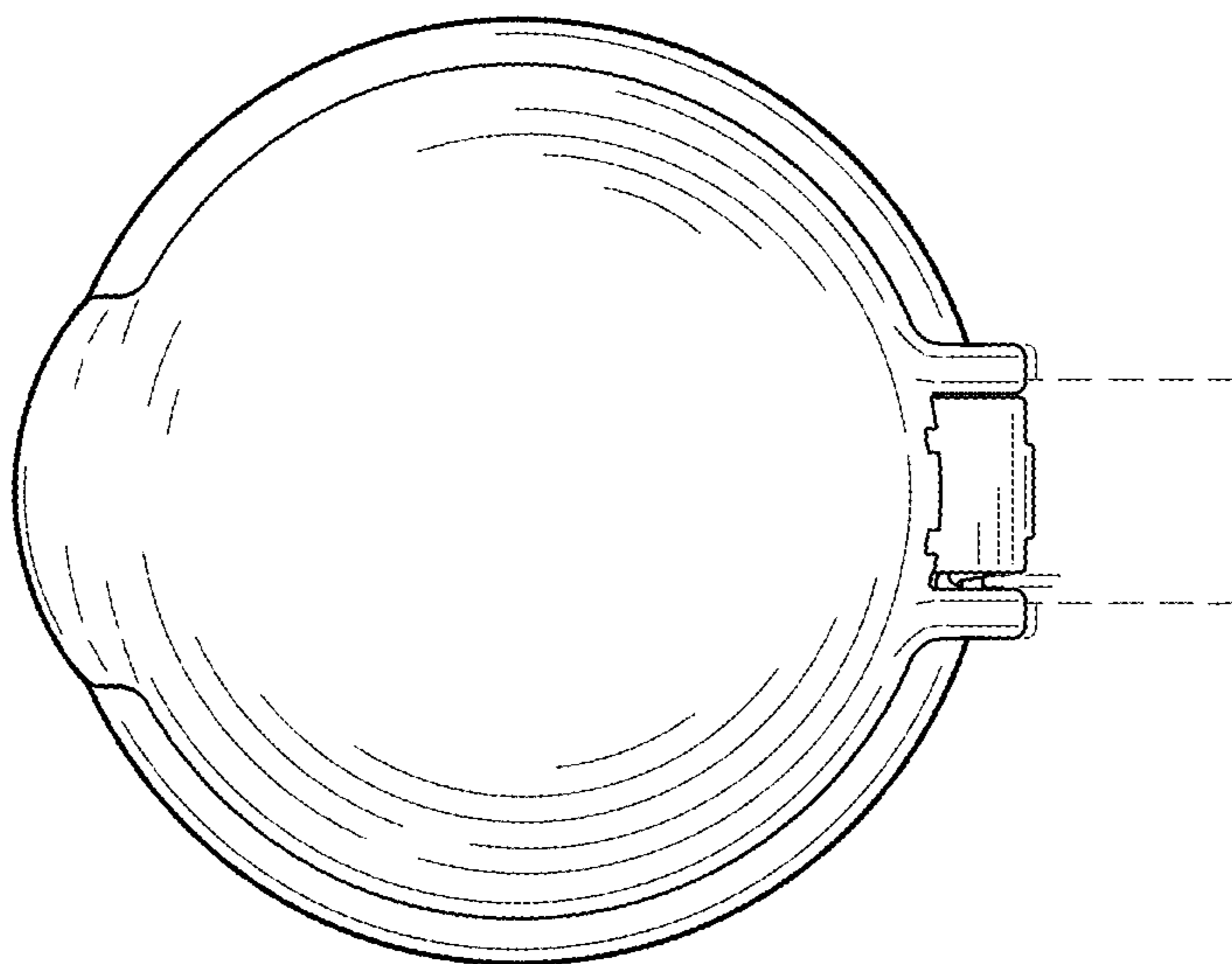


FIG. 7

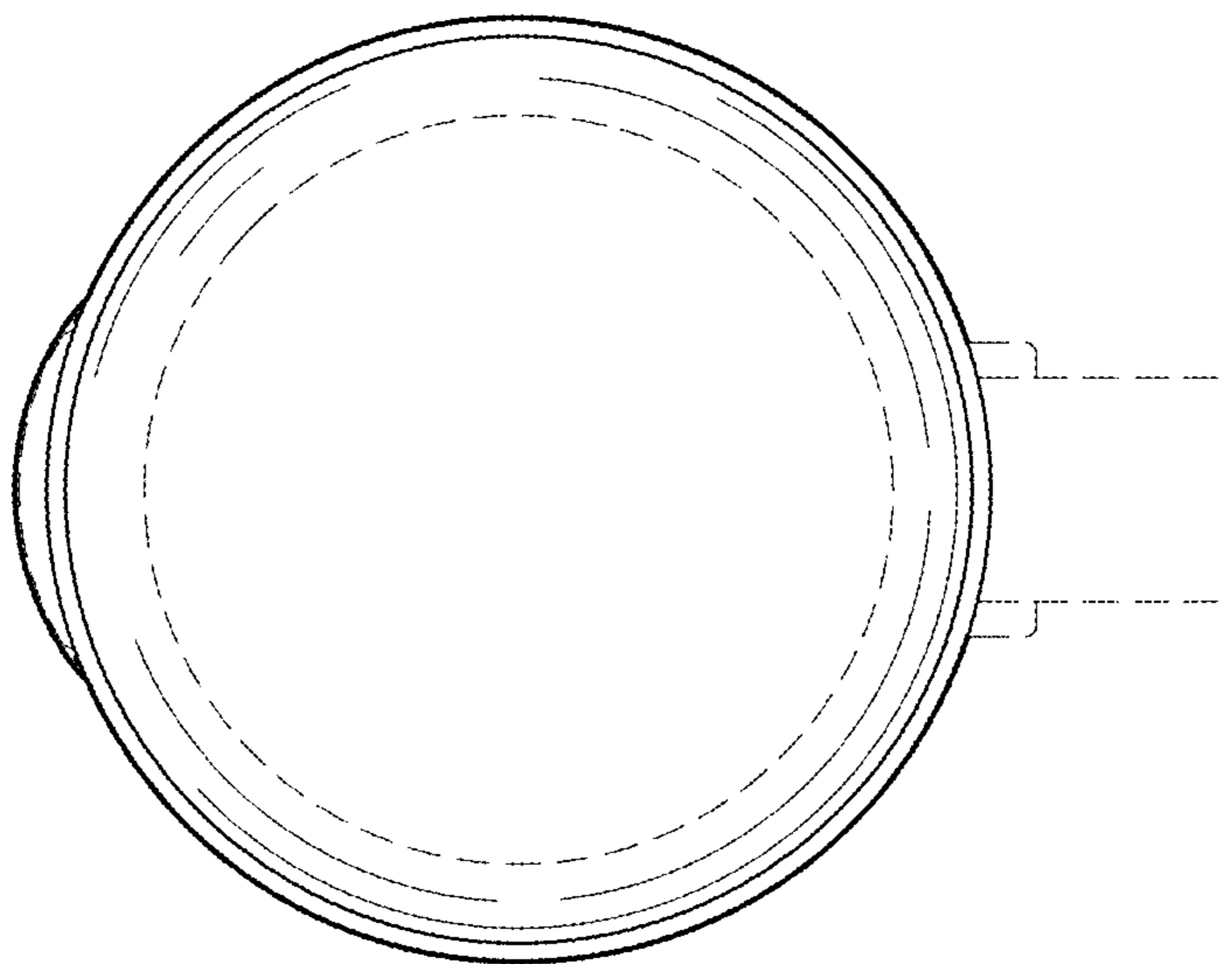


FIG. 8

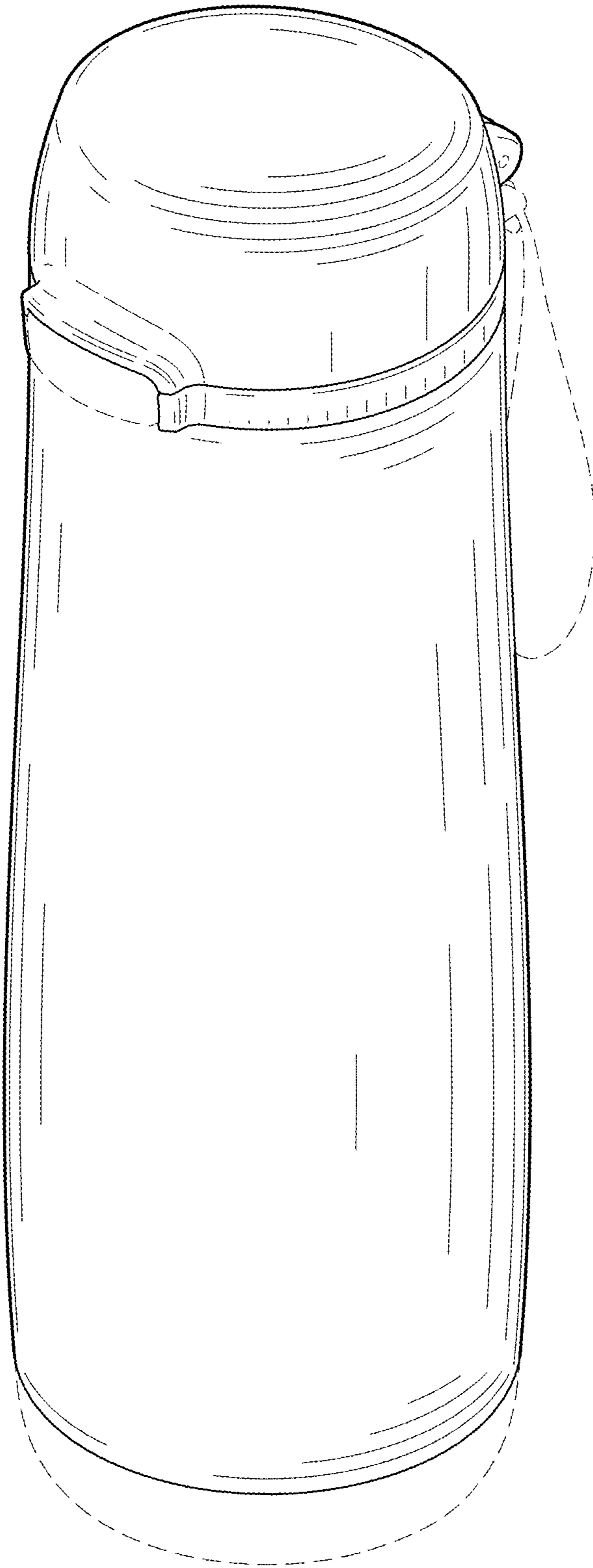


FIG. 9

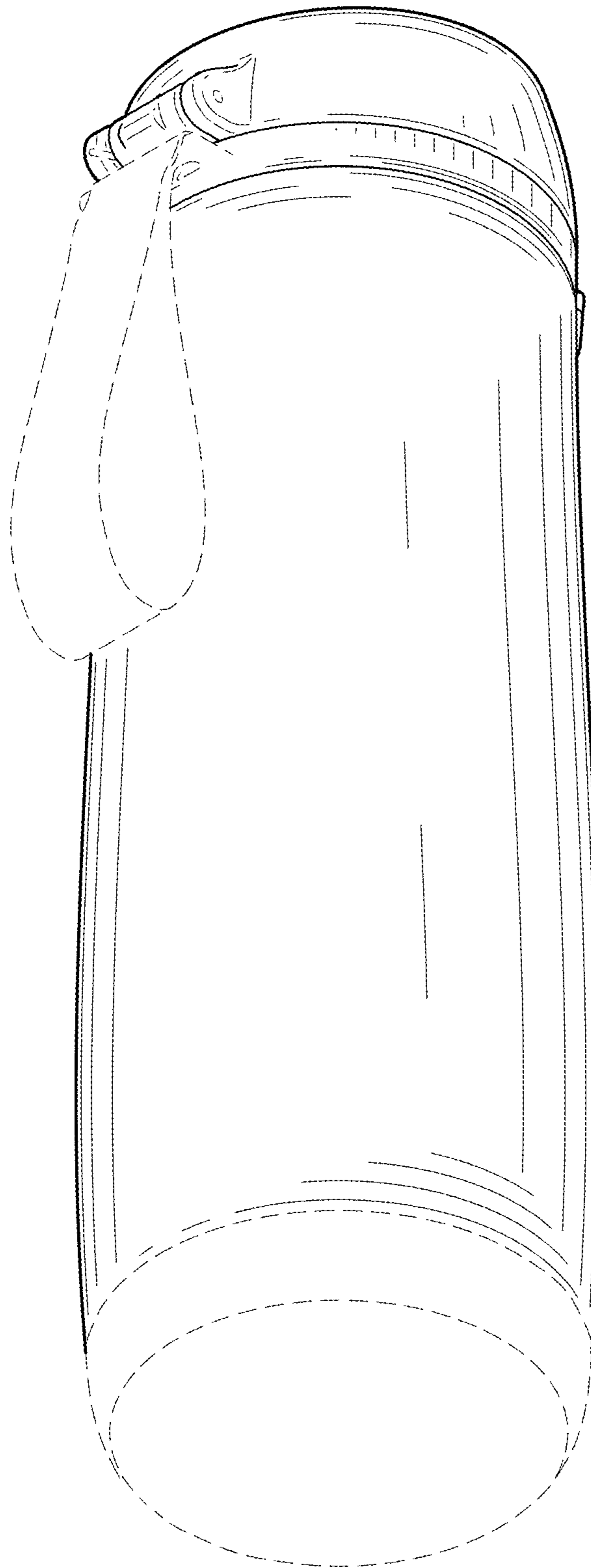


FIG. 10

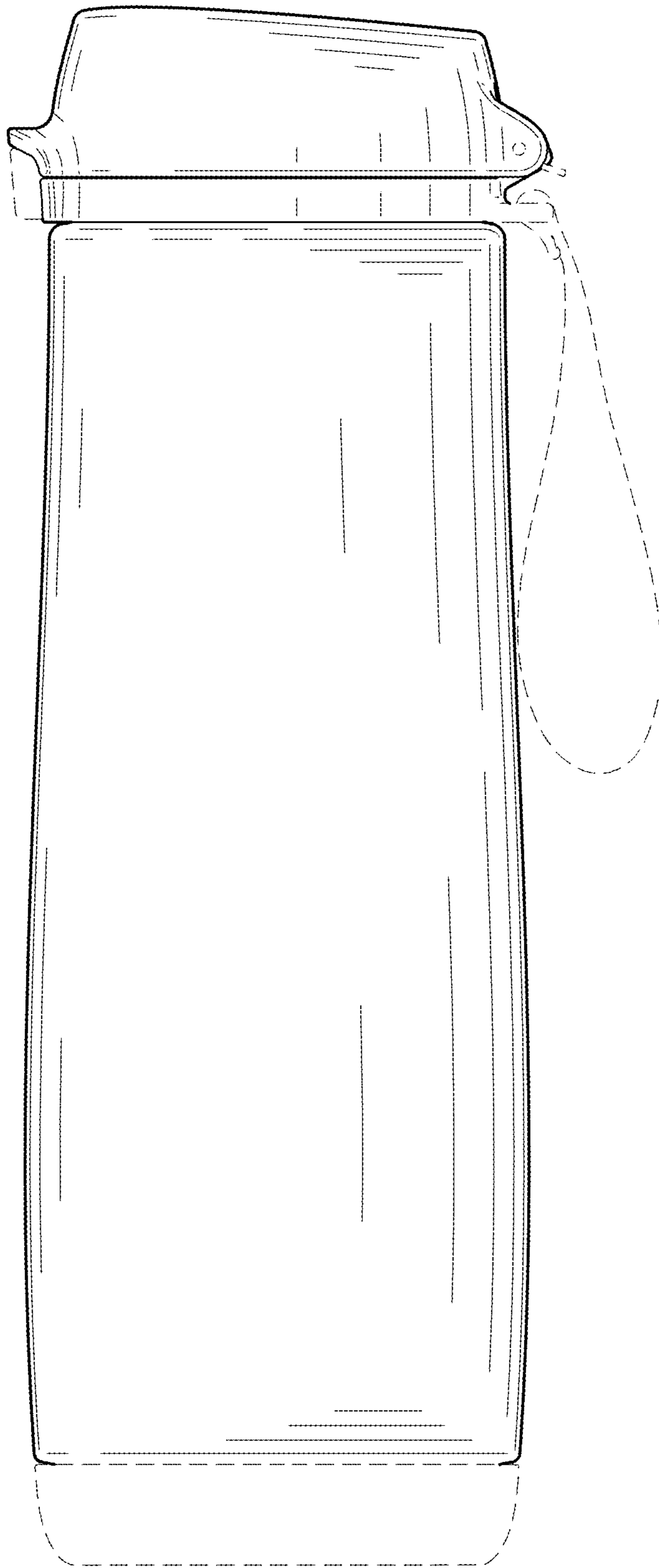


FIG. 11

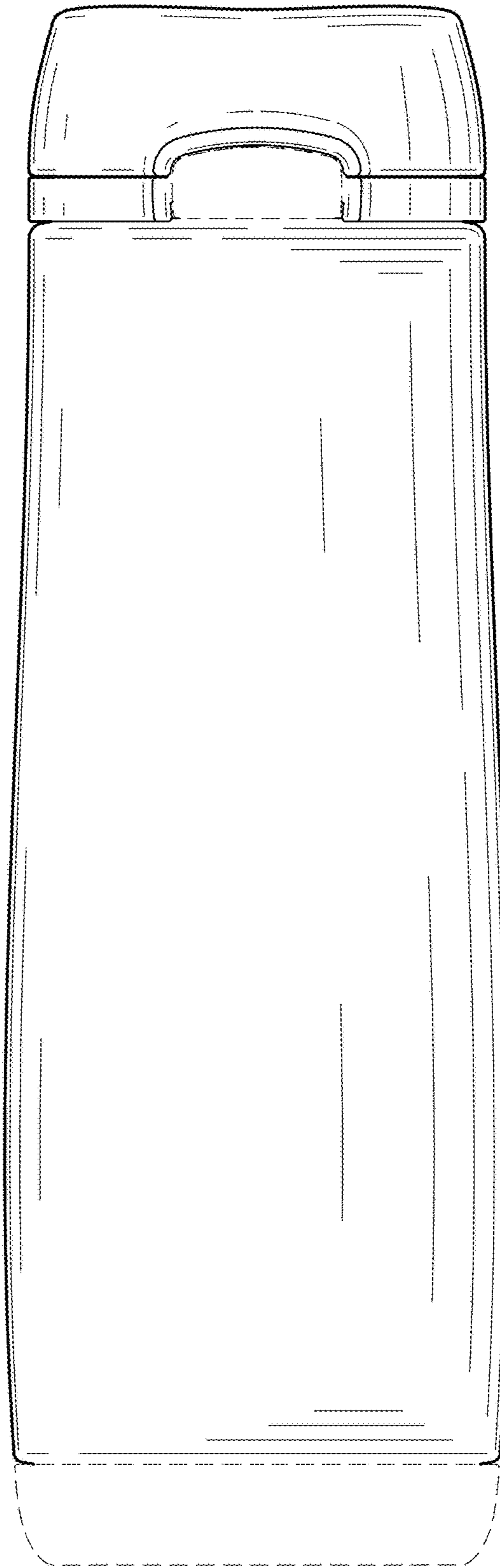


FIG. 12

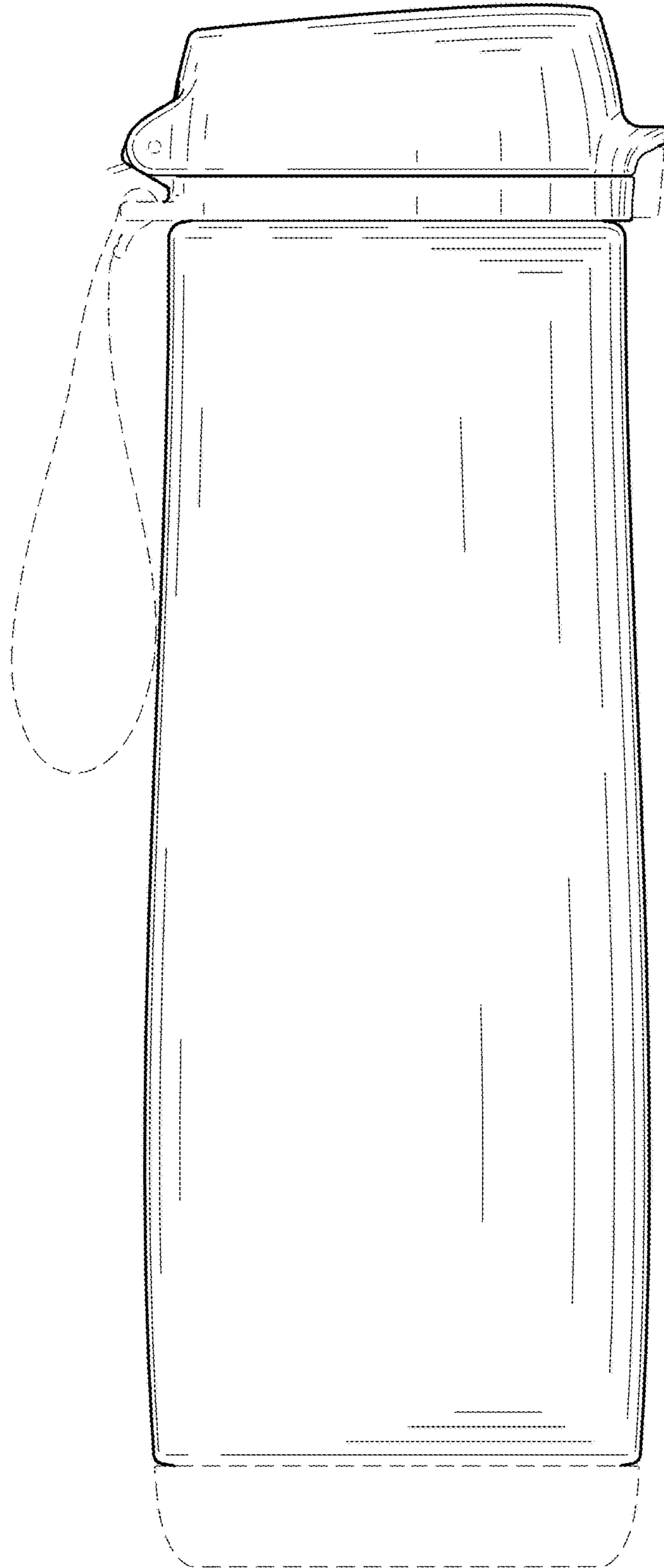


FIG. 13

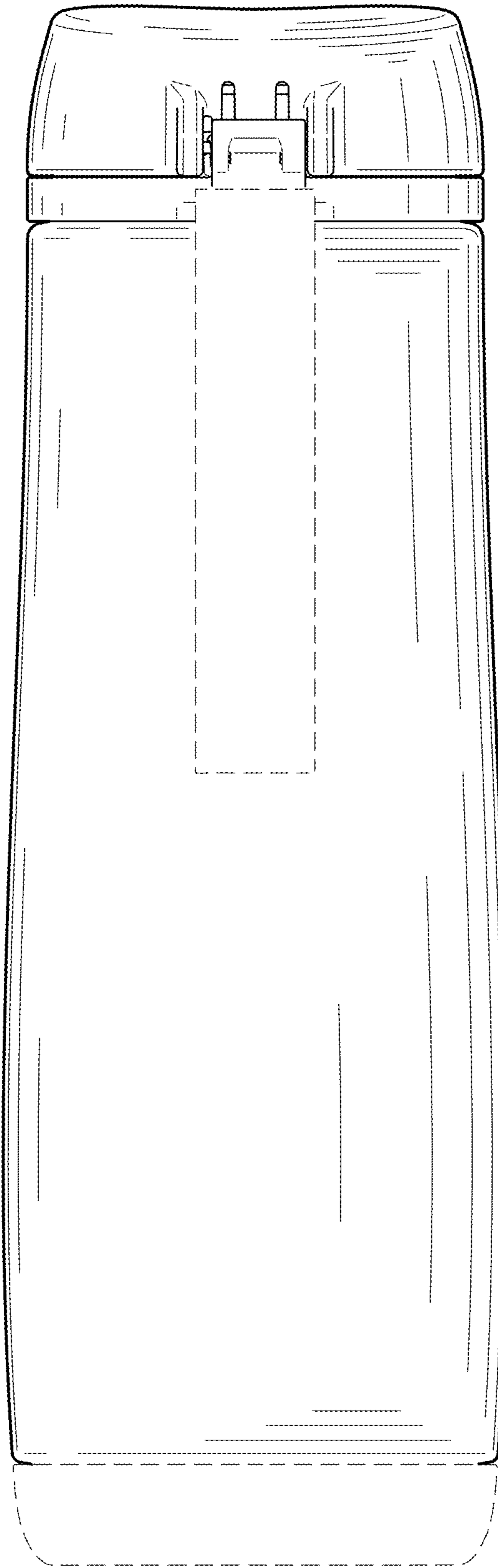


FIG. 14

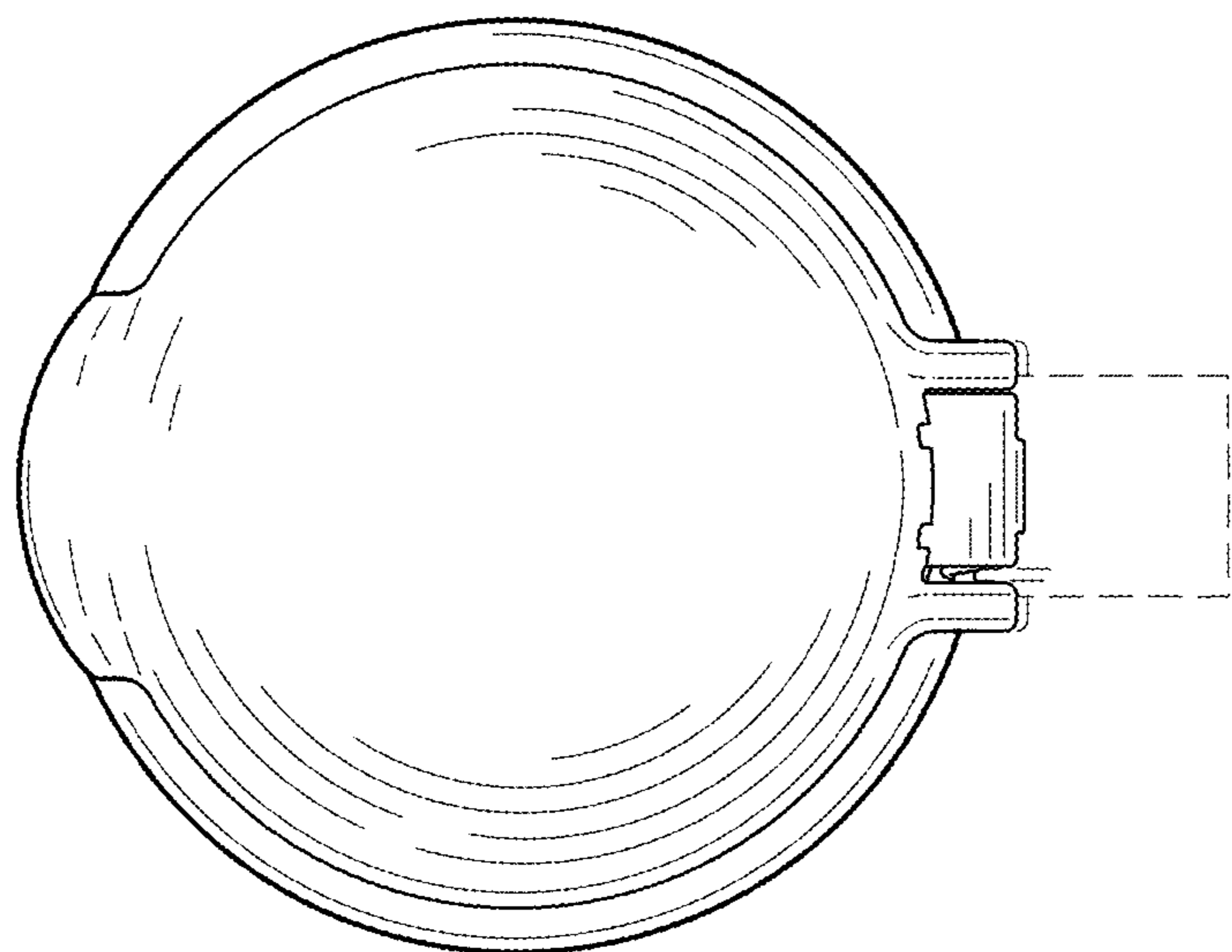


FIG. 15

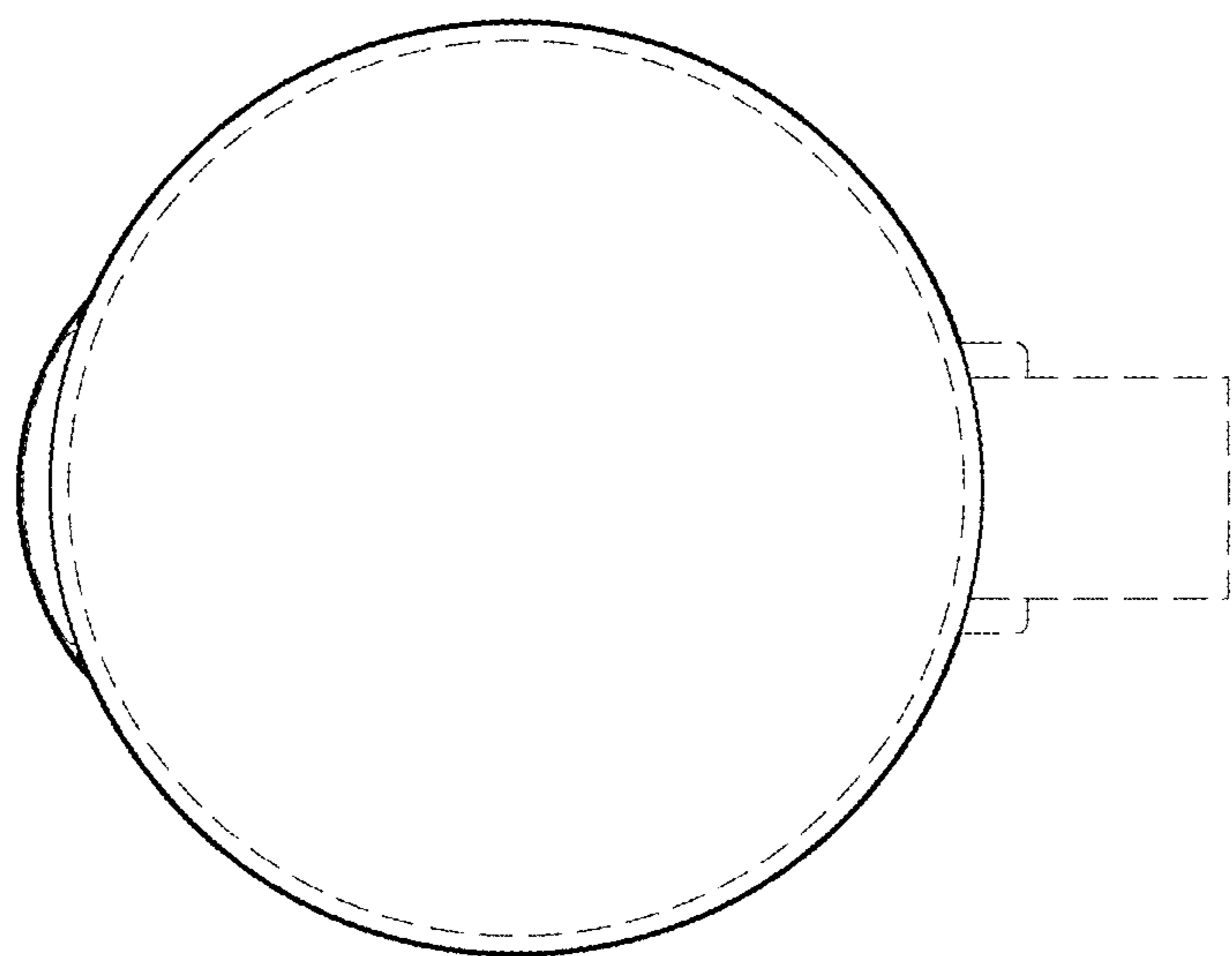


FIG. 16