



US00D808717S

(12) **United States Design Patent**
Funnell, II et al.

(10) **Patent No.:** **US D808,717 S**

(45) **Date of Patent:** **** Jan. 30, 2018**

(54) **CONTROL PANEL FOR ELECTRIC RANGE**

(71) Applicant: **BSH Home Appliances Corporation**,
Irvine, CA (US)

(72) Inventors: **Richard W. Funnell, II**, Huntington
Beach, CA (US); **Andrew Roberson**,
Long Beach, CA (US); **Graham
Sadtler**, Huntington Beach, CA (US)

(73) Assignee: **BSH Home Appliances Corporation**,
Irvine, CA (US)

(**) Term: **15 Years**

(21) Appl. No.: **29/570,291**

(22) Filed: **Jul. 7, 2016**

Related U.S. Application Data

(62) Division of application No. 29/526,761, filed on May
13, 2015, now Pat. No. Des. 767,325, which is a
division of application No. 29/456,403, filed on May
31, 2013, now Pat. No. Des. 736,027.

(51) **LOC (11) Cl.** **07-02**

(52) **U.S. Cl.**
USPC **D7/406**

(58) **Field of Classification Search**
USPC D7/339-349, 323, 402, 403, 405,
D7/406-408
CPC F24C 3/00-3/14; F24C 7/00-7/105; F24C
14/00-14/025; F24C 15/00-15/14
See application file for complete search history.

(56) **References Cited**

U.S. PATENT DOCUMENTS

D369,514 S * 5/1996 Baldwin D7/406
6,191,391 B1 * 2/2001 Deo F24C 15/18
126/273 R

D469,657 S * 2/2003 Becker D7/405
6,761,159 B1 * 7/2004 Barnes F24C 15/2007
126/15 R
D511,935 S * 11/2005 Briedis D7/406
D513,463 S * 1/2006 Wong D7/406
D513,684 S * 1/2006 Jackovin D7/406
D521,317 S * 5/2006 Hessen D7/340
D536,568 S * 2/2007 Ostlund D7/340
D555,976 S * 11/2007 Baldwin D7/405
D564,837 S * 3/2008 Green D7/406
D604,987 S * 12/2009 Jung D7/348
D612,680 S * 3/2010 Baker D7/405
D612,684 S * 3/2010 Baker D7/405
D612,685 S * 3/2010 Baker D7/405
D612,686 S * 3/2010 Busalt D7/406
D645,702 S * 9/2011 Baacke D7/405
D668,109 S * 10/2012 Borjesson D7/406
D668,110 S * 10/2012 Borjesson D7/406
D682,614 S * 5/2013 Loyd D7/406
D696,554 S * 12/2013 Kim D7/406
D714,096 S * 9/2014 Boo D7/406
D736,027 S * 8/2015 Funnell, II D7/339
D755,008 S * 5/2016 Kim D7/406
D755,009 S * 5/2016 Kim D7/406

(Continued)

Primary Examiner — Mitchell Siegel

(74) *Attorney, Agent, or Firm* — Michael E. Tschupp;
Andre Pallapies; Brandon G. Braun

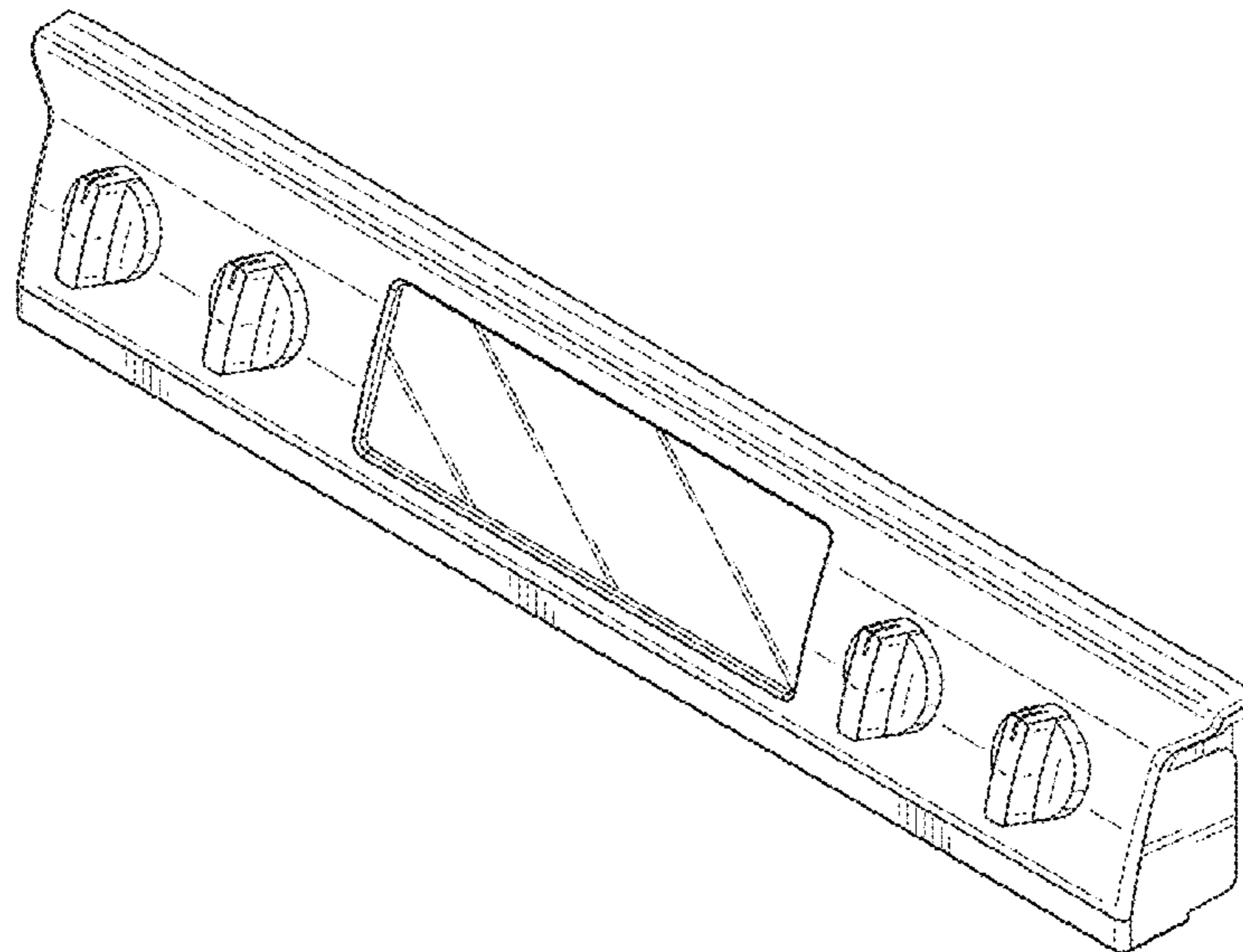
(57) **CLAIM**

The ornamental design for an control panel for electric range
and/or component thereof.

DESCRIPTION

FIG. 1 is a front perspective view of a control panel for
electric range showing an embodiment of our new ornamen-
tal design;
FIG. 2 a front view thereof;
FIG. 3 is a top view thereof; and,
FIG. 4 is a right side view thereof, with the left side view
thereof being a mirror image thereof.

1 Claim, 2 Drawing Sheets



(56)

References Cited

U.S. PATENT DOCUMENTS

D755,563	S	*	5/2016	Kim	D7/406
D778,110	S	*	2/2017	Lee	D7/406
D781,648	S	*	3/2017	Shoemaker	D7/406
D782,872	S	*	4/2017	Cho	D7/406
D785,398	S	*	5/2017	Kim	D7/340
D786,005	S	*	5/2017	Kim	D7/340
D786,006	S	*	5/2017	Chung	D7/340
D788,524	S	*	6/2017	Funnell, II	D7/406
D789,740	S	*	6/2017	Shoemaker	D7/406
D790,273	S	*	6/2017	Vergin	D7/406
D790,916	S	*	7/2017	Kim	D7/406

* cited by examiner

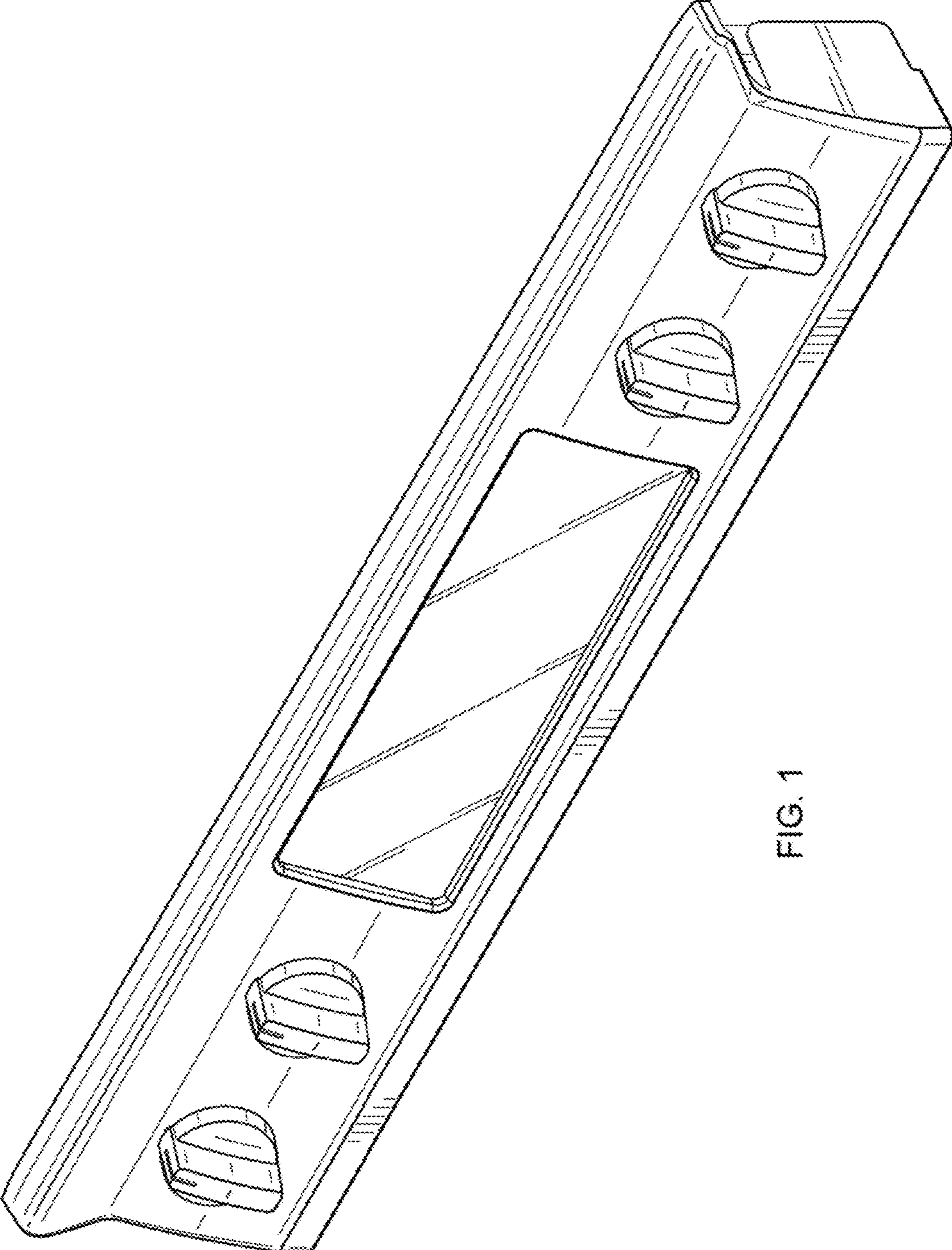


FIG. 1

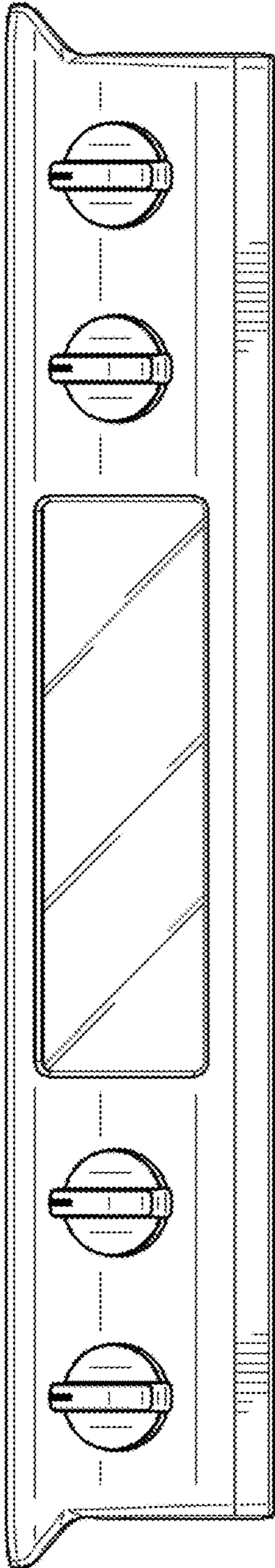


FIG. 2

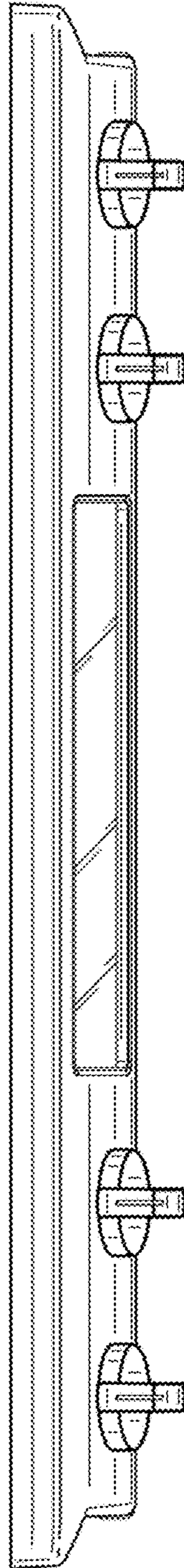


FIG. 3

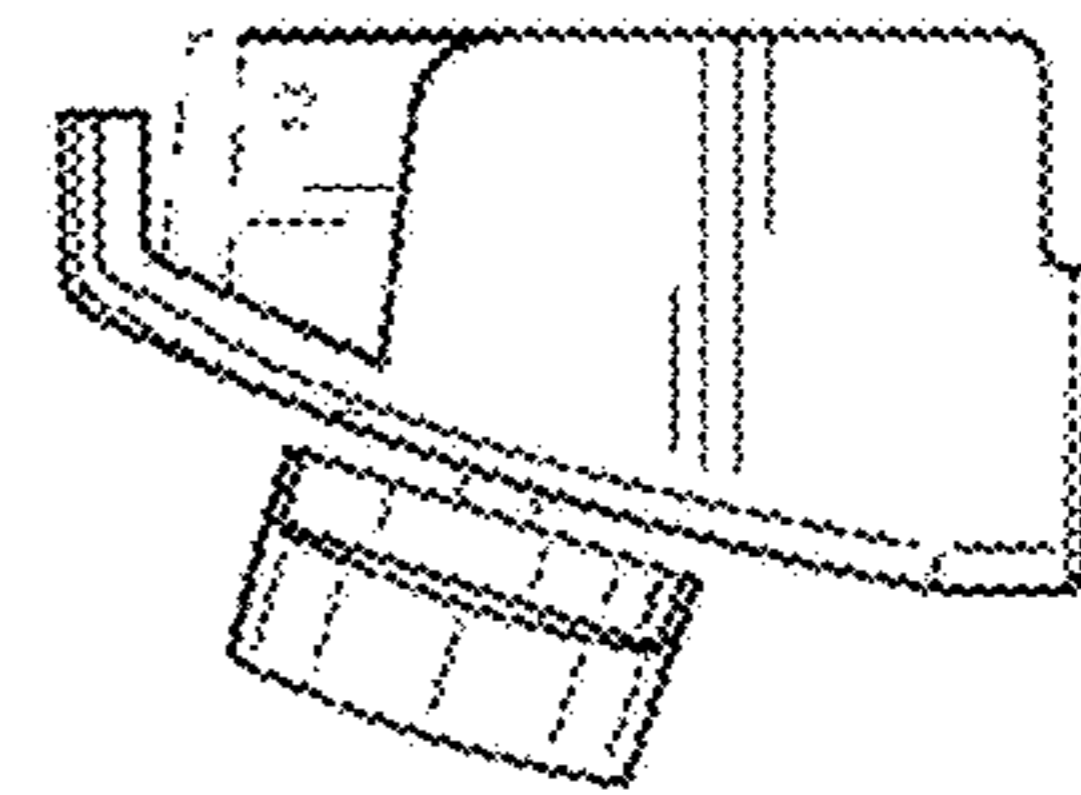


FIG. 4