



US00D808715S

(12) **United States Design Patent**
Borovicka et al.

(10) **Patent No.:** **US D808,715 S**
(45) **Date of Patent:** **** Jan. 30, 2018**

(54) **UTENSIL HANDLE**
(71) Applicant: **Charcoal Companion Incorporated,**
Berkeley, CA (US)
(72) Inventors: **Cory Thomas Borovicka,** Oakland, CA
(US); **Bennett Gershkow,** San
Francisco, CA (US)
(73) Assignee: **Charcoal Companion Incorporated,**
Berkeley, CA (US)

D152,117 S * 12/1948 Morfesi D7/682
2,520,355 A * 8/1950 Bell B25G 1/102
16/430
2,741,025 A * 4/1956 Stewart F41B 15/06
30/151
4,096,629 A 6/1978 Levine
D327,614 S * 7/1992 Banks D8/107
D333,413 S * 2/1993 Kistner D7/683
5,251,380 A * 10/1993 Craig B25G 1/102
16/421

(Continued)

(**) Term: **15 Years**

OTHER PUBLICATIONS

(21) Appl. No.: **29/571,563**

Webpage: "Cuisinart CMC-262 Meat Pulling/Shredding Claws,
Black." Amazon.com: Patio, Lawn & Garden. www.amazon.com/
Cuisinart-CMC-262-Pulling-Shredding-Claws/dp/B0000GX6BU;
Date Retrieved: Oct. 19, 2016.

(22) Filed: **Jul. 19, 2016**

(51) **LOC (11) Cl.** **07-03**

(52) **U.S. Cl.**

USPC **D7/401.2;** D7/649

(58) **Field of Classification Search**

USPC D7/393-395, 401.2, 642-652, 673,
D7/682-683, 693, 695-696; D8/14, 93,
D8/97-100, 107, 300, 321; D22/117-118

CPC A01B 1/20; A01B 1/22; A22C 25/006;

A47G 21/06; A47G 21/065; A61B

17/3211; A61B 17/3213; B21D 53/64;

B25G 1/102; B25G 3/36; B26B 1/00;

B26B 1/08; B26B 1/10; B26B 3/00;

B26B 3/02; B26B 3/03; B26B 3/04;

B26B 3/06; B26B 5/00; B26B 5/001;

B26B 5/007; B26B 7/00; B26B 7/005;

B26B 9/00; B26B 9/02; B26B 11/00;

B26B 11/006; B26B 17/00; B26B 17/006;

B26B 29/02; F41B 15/06; F41B 15/08

See application file for complete search history.

(Continued)

Primary Examiner — Ricky Pham

(74) *Attorney, Agent, or Firm* — Beeson Skinner Beverly,
LLP

(57)

CLAIM

The ornamental design for a utensil handle, as shown and
described.

DESCRIPTION

FIG. 1 is a top front perspective view of the utensil handle
showing our new design;

FIG. 2 is a bottom rear perspective view thereof;

FIG. 3 is a front elevation view thereof;

FIG. 4 is a left side elevation view thereof, the right side
being a mirror image;

FIG. 5 is a rear elevation view thereof;

FIG. 6 is a top plan view thereof; and,

FIG. 7 is a bottom plan view thereof.

The broken lines shown in the drawings are for illustrative
purposes only and form no part of the claimed design.

(56) **References Cited**

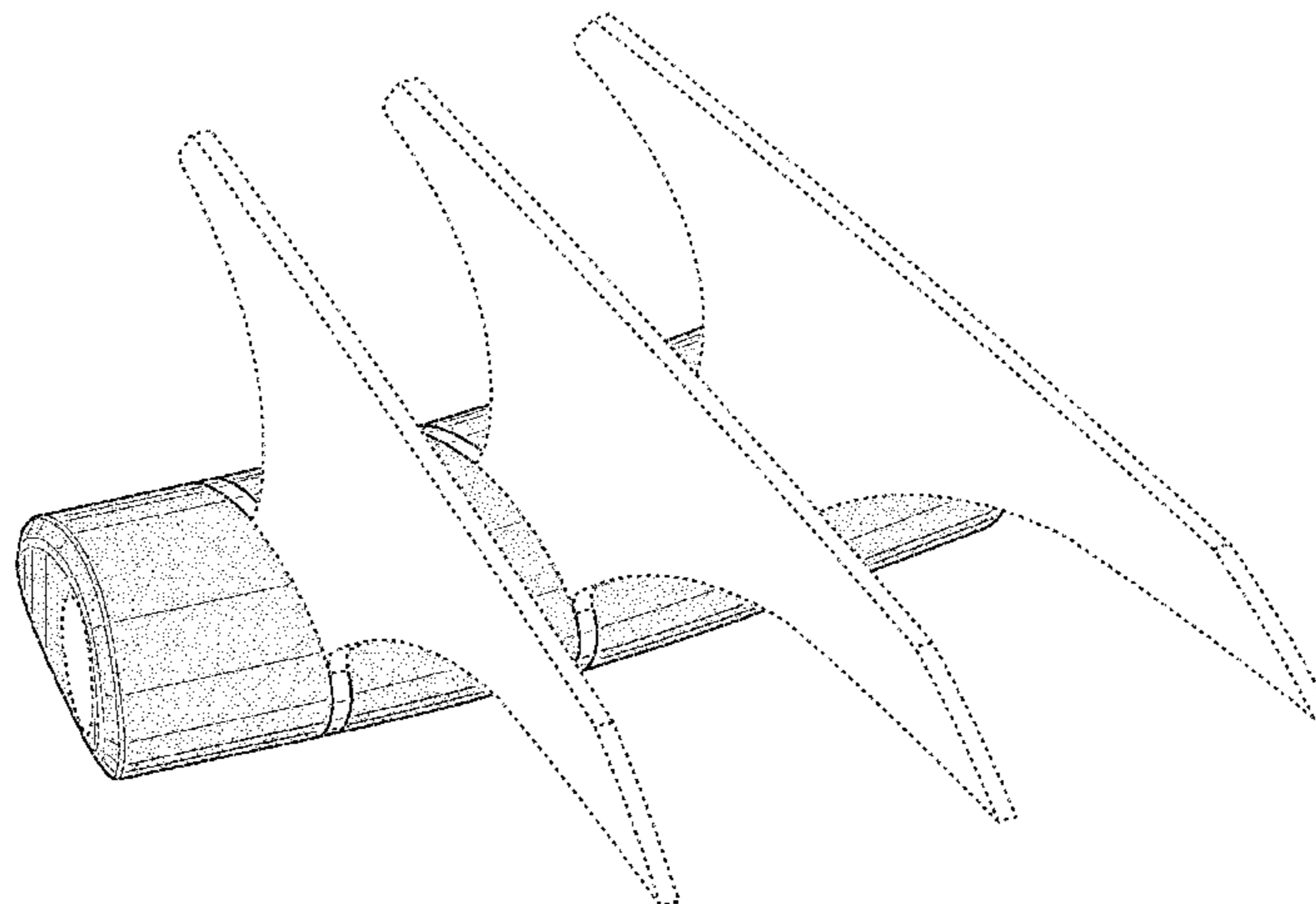
U.S. PATENT DOCUMENTS

D25,841 S * 7/1896 Bonte 452/146

2,099,447 A * 11/1937 Matsuyama F41B 15/06

463/47.4

1 Claim, 7 Drawing Sheets



(56)

References Cited

U.S. PATENT DOCUMENTS

D528,893 S * 9/2006 Budd D22/118
D625,569 S * 10/2010 Stewart D7/673
D663,171 S 7/2012 Borovicka et al.
D712,708 S * 9/2014 High D7/683

OTHER PUBLICATIONS

Webpage: "Pulled Pork Meat Claws by Kassa" Amazon.com:
Kitchen & Dining. www.amazon.com/Pulled-Pork-Meat-Claws-Kassa/dp/B00G4SCGNQ; Date Retrieved: Oct. 19, 2016.

* cited by examiner

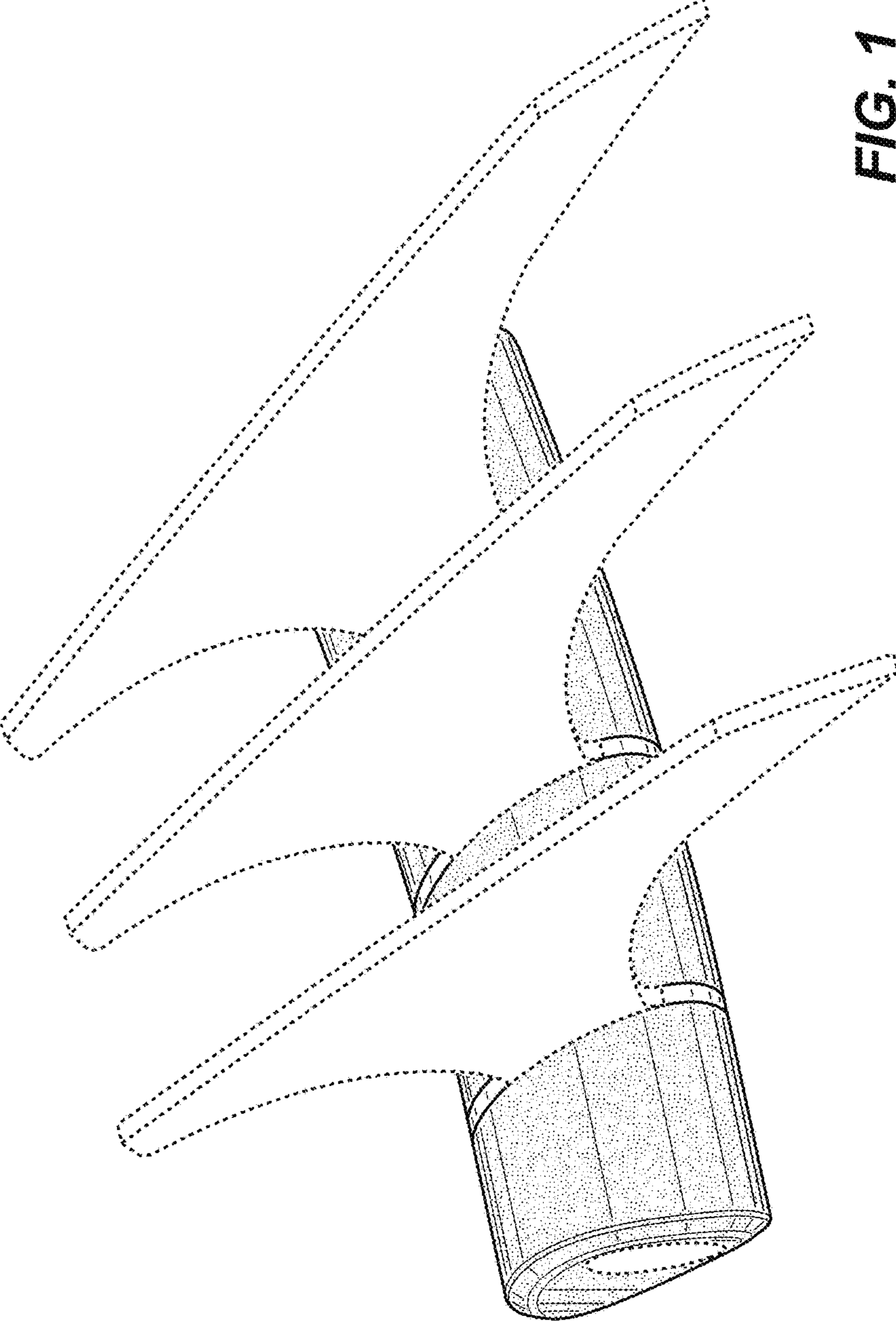


FIG. 1

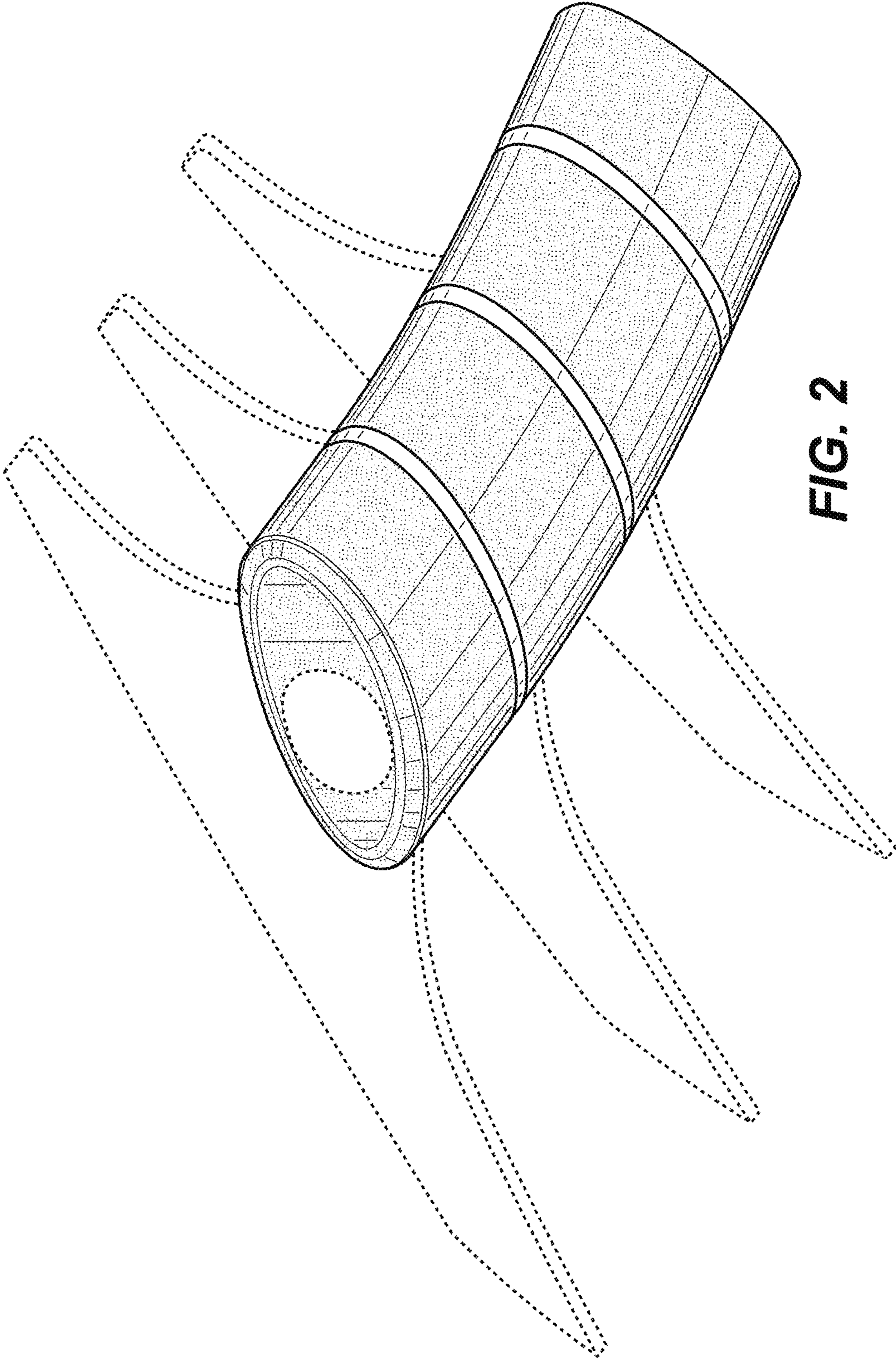


FIG. 2

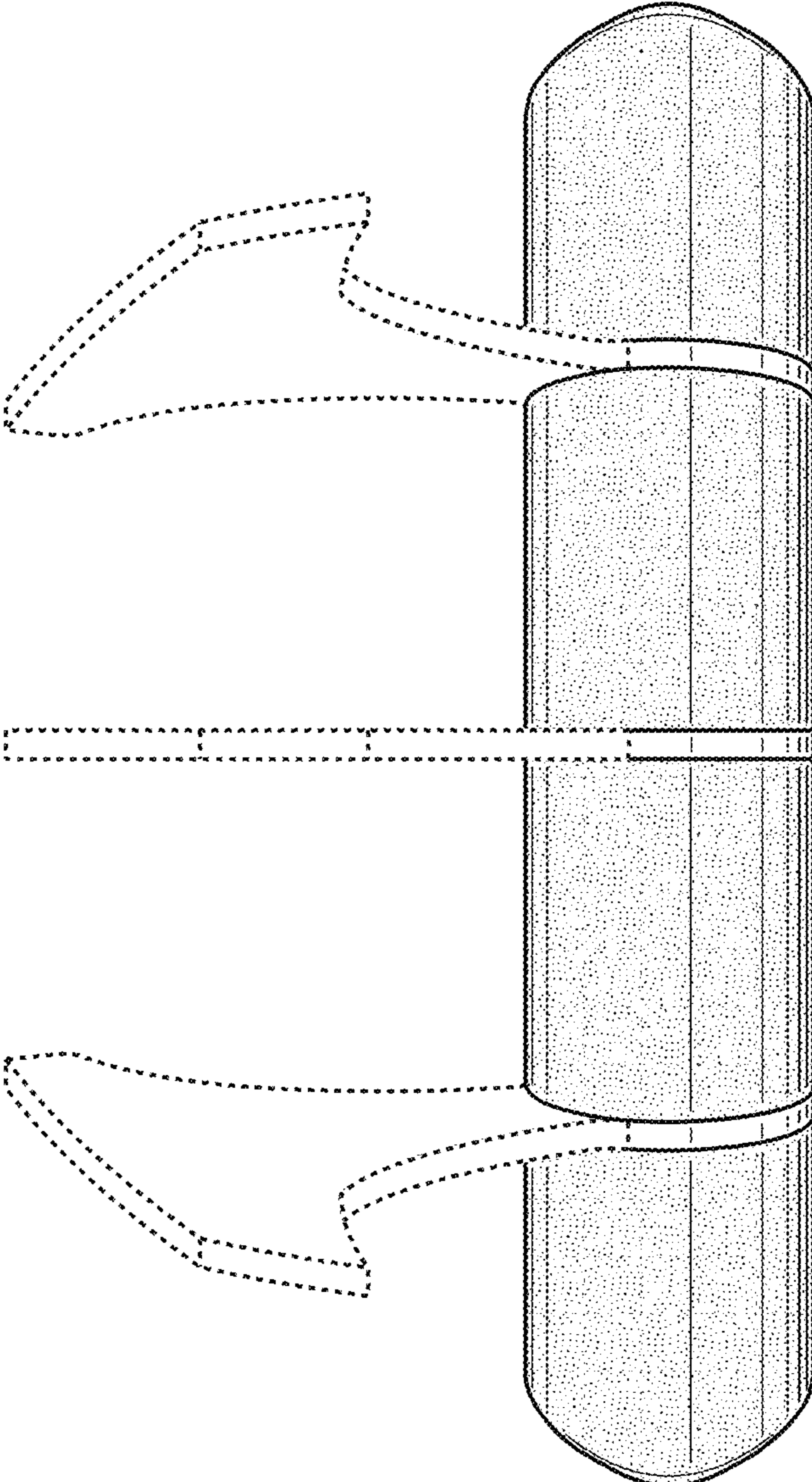


FIG. 3

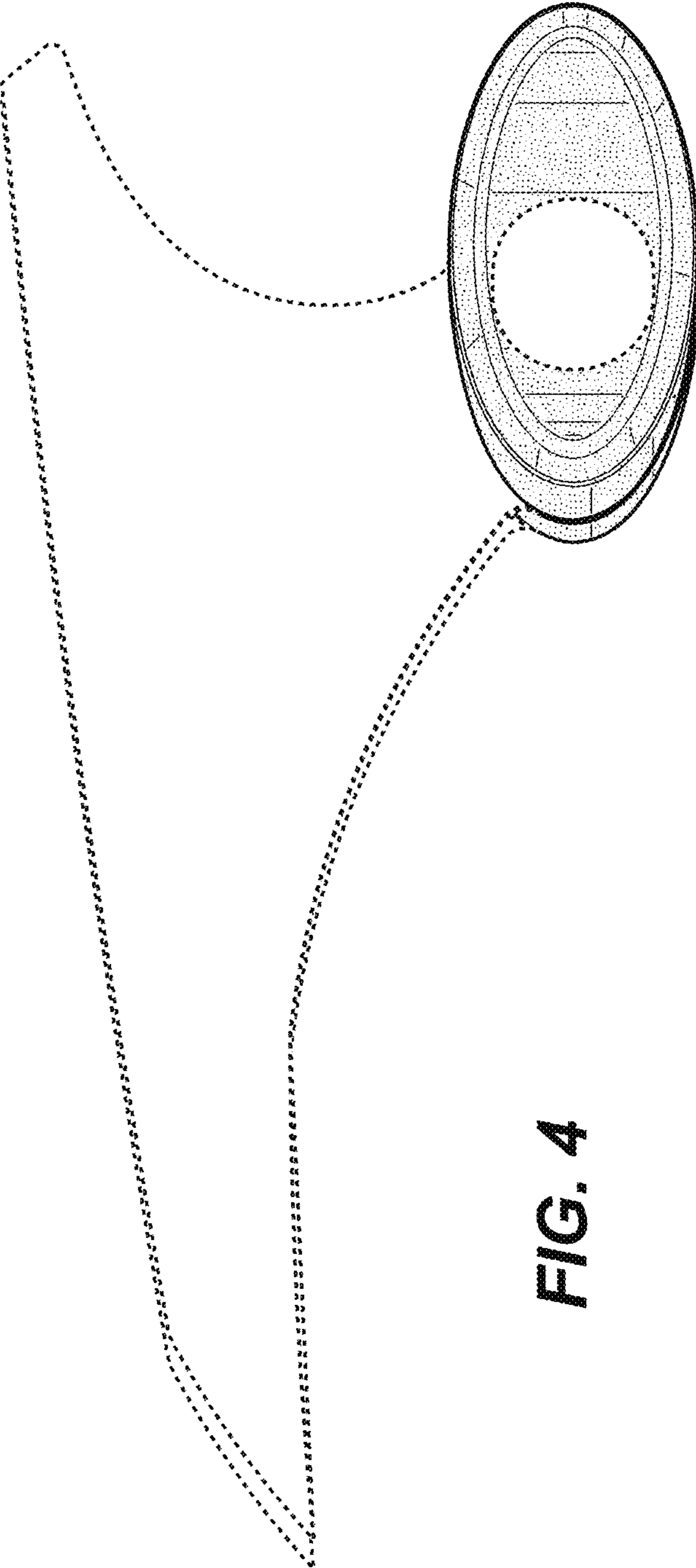


FIG. 4

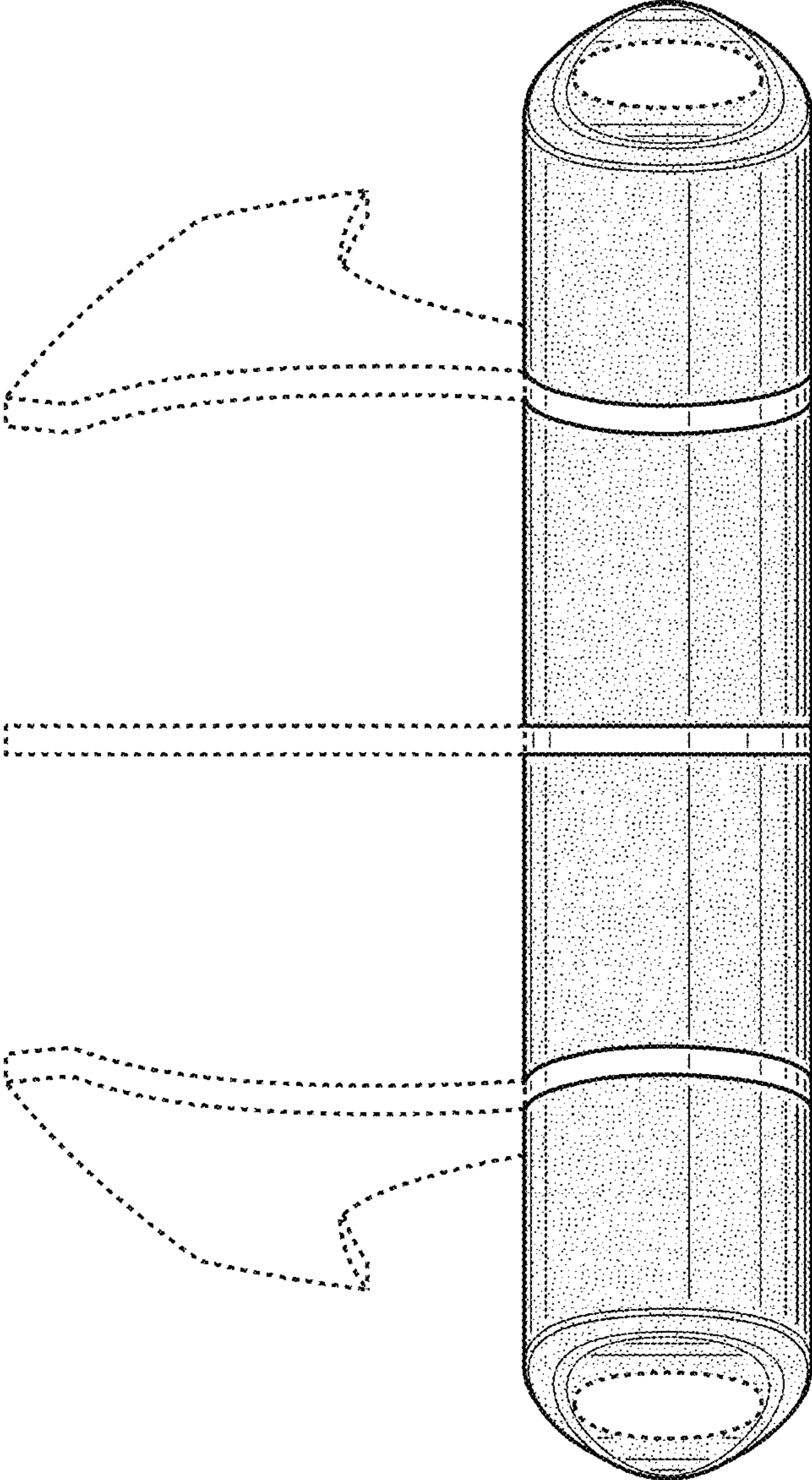


FIG. 5

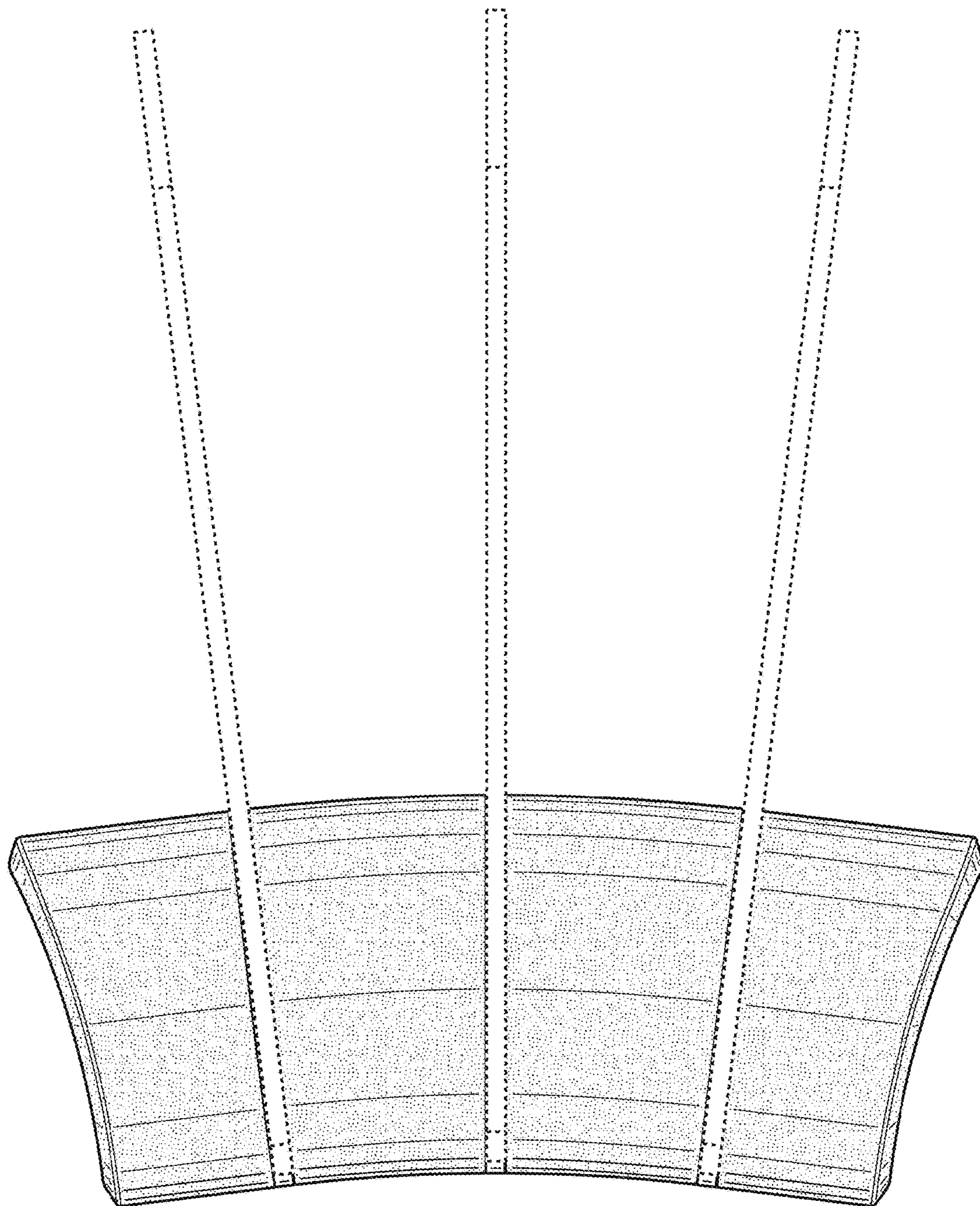


FIG. 6

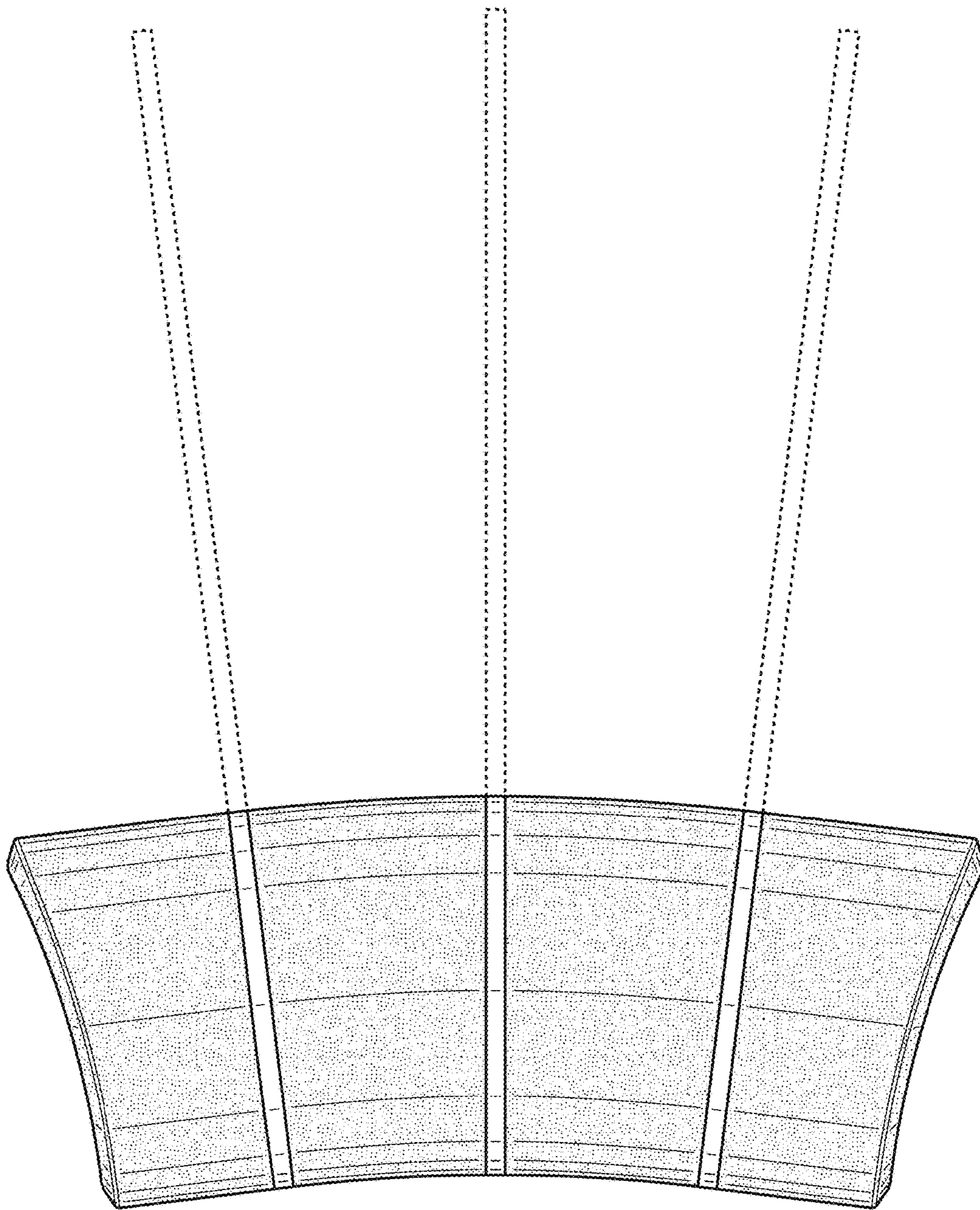


FIG. 7