



US00D808714S

(12) **United States Design Patent**
Boroski et al.

(10) **Patent No.:** **US D808,714 S**
(45) **Date of Patent:** **** Jan. 30, 2018**

(54) **BOTTLE**

(71) Applicant: **THERMOS L.L.C.**, Schaumburg, IL
(US)

(72) Inventors: **Dwayne Boroski**, Lake in the Hills, IL
(US); **Marvin Lane**, Wheeling, IL (US)

(73) Assignee: **THERMOS L.L.C.**, Schaumburg, IL
(US)

(**) Term: **15 Years**

(21) Appl. No.: **29/588,734**

(22) Filed: **Dec. 22, 2016**

Related U.S. Application Data

(63) Continuation of application No. 29/523,228, filed on
Apr. 7, 2015, now Pat. No. Des. 778,677.

(51) **LOC (11) Cl.** **07-99**

(52) **U.S. Cl.**
USPC **D7/396.4**; D7/510; D7/511; D7/529;
D9/434

(58) **Field of Classification Search**

USPC D7/507-512, 529-532, 533, 536, 213,
D7/392.1, 396.1, 396.2, 396.4, 900, 608;
D9/503, 504, 555, 568, 554, 567, 904,
D9/453, 442, 443, 773, 434, 435, 440,
D9/444, 447, 449, 526, 552, 571;
D3/202; D24/197, 122; 220/592.16,
220/592.17, 592.27; 215/381-384
CPC B65D 23/00; B65D 47/066; B65D 41/04;
B65D 41/0414; B65D 47/08; A45F 3/16
See application file for complete search history.

(56) **References Cited**

U.S. PATENT DOCUMENTS

D49,139 S * 6/1916 Curtiss D7/608
D216,407 S * 12/1969 Kull D7/533

D262,192 S * 12/1981 Wedge D9/435
D262,932 S * 2/1982 Daenen D7/392.1
D283,596 S * 4/1986 Fortuna D7/510
D286,508 S * 11/1986 Tilden 222/570
D289,858 S * 5/1987 Duval D23/366
D308,828 S * 6/1990 Magnusson D9/438
D318,980 S * 8/1991 Unger D7/535
D332,215 S * 1/1993 Halvorson D7/511
D346,801 S * 5/1994 Traina D14/189
D364,781 S * 12/1995 Fenton D7/529
D427,913 S * 7/2000 Davies D9/449
D430,793 S * 9/2000 Baron D9/688
D468,588 S * 1/2003 Norris D7/510
D492,158 S * 6/2004 Bodum D7/510
D518,381 S * 4/2006 Egawa D9/504
D531,451 S * 11/2006 Bin D7/510
D534,396 S * 1/2007 Kramer D7/523
D536,110 S * 1/2007 Wright D26/24
D544,302 S * 6/2007 Gibbons D7/510
D549,048 S * 8/2007 Duke D7/510

(Continued)

Primary Examiner — Marianne Pandozzi

Assistant Examiner — Jae Liang

(74) *Attorney, Agent, or Firm* — Polsinelli PC

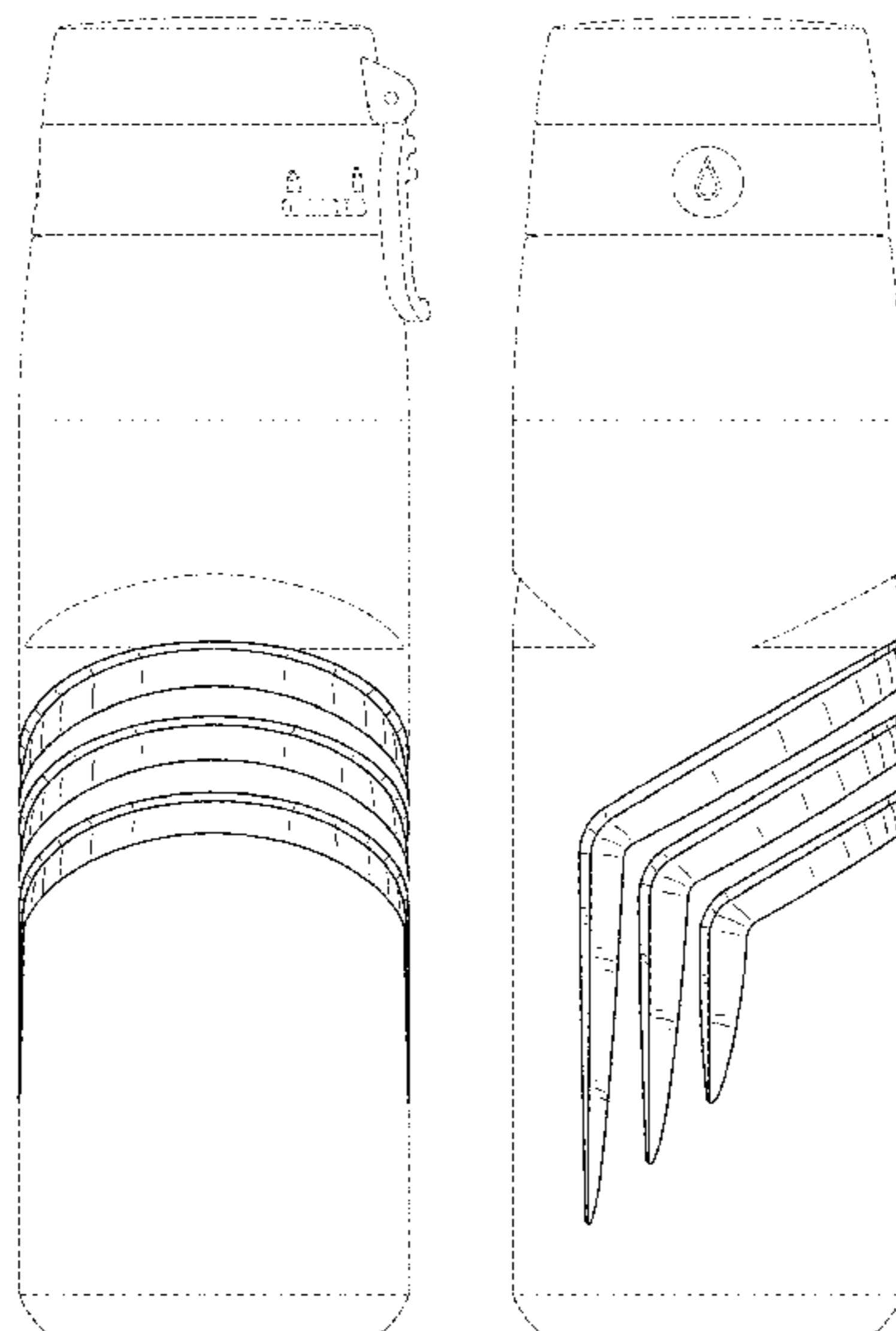
(57) **CLAIM**

The ornamental design for a bottle, as shown and described.

DESCRIPTION

FIG. 1 is a perspective view of a bottle showing our new design;
FIG. 2 is a front view of the bottle;
FIG. 3 is a rear view of the bottle;
FIG. 4 is a right side view of the bottle;
FIG. 5 is a left side view of the bottle;
FIG. 6 is a top view of the bottle; and,
FIG. 7 is a bottom view of the bottle.
The broken lines in the drawings depict portions of the bottle that form no part of the claimed design.

1 Claim, 4 Drawing Sheets



(56)

References Cited

U.S. PATENT DOCUMENTS

D555,430 S *	11/2007	Tien	D7/509	D699,516 S *	2/2014	Kim	D7/510
D562,137 S *	2/2008	Florio	D28/89	D700,802 S *	3/2014	Miller	D7/392.1
D567,589 S *	4/2008	Freeman	D7/533	D702,505 S *	4/2014	Nakatani	D7/605
D584,613 S *	1/2009	Yan	D9/438	D707,492 S *	6/2014	George	D7/510
D587,069 S *	2/2009	Bodum	D7/510	D710,653 S *	8/2014	Goto	D7/608
D590,661 S *	4/2009	Kitamura	D7/510	D713,727 S *	9/2014	Rhodes	D9/529
D602,782 S *	10/2009	Lepoitevin	D9/453	D714,152 S *	9/2014	Rhodes	D9/529
D604,561 S *	11/2009	Chisholm	D7/510	D718,626 S *	12/2014	Lane	B65D 41/62 D9/449
D609,053 S *	2/2010	Dingenouts	D7/509	D718,980 S *	12/2014	Lapsker	D7/532
D617,144 S *	6/2010	O'Connor	D7/396.2	D722,249 S *	2/2015	Valderrama	D7/396.2
D619,418 S *	7/2010	Nezu	D7/510	D725,966 S *	4/2015	Boroski	D7/511
D622,545 S *	8/2010	Wahl	D7/510	D725,968 S *	4/2015	George	D7/511
D622,553 S *	8/2010	Bollenbacher	D7/608	D727,685 S *	4/2015	He	D7/510
D630,044 S *	1/2011	Lane	D7/392.1	D734,154 S *	7/2015	Johnson	D9/500
D630,473 S *	1/2011	Poppie	D7/525	D735,580 S *	8/2015	Bourne	D9/538
D637,455 S *	5/2011	Lipson	D7/510	D740,073 S *	10/2015	Zorovich	D7/507
D639,113 S *	6/2011	Hayes	D7/509	D744,290 S *	12/2015	Endo	D7/608
D642,472 S *	8/2011	Concin	D7/511	D752,446 S *	3/2016	Jasso Gomez	D9/543
D642,473 S *	8/2011	Vanhooland	D9/516	D774,359 S *	12/2016	Boroski	D7/510
8,016,148 B2 *	9/2011	Walsh	B65D 1/0207 215/44	D774,826 S *	12/2016	Boroski	D7/510
D649,881 S *	12/2011	Rinderer	D7/511	D775,495 S *	1/2017	Boroski	D7/529
D655,134 S *	3/2012	Gilbert	D7/510	D778,114 S *	2/2017	Boroski	D7/529
D655,561 S *	3/2012	Wang	D7/306	D778,677 S *	2/2017	Boroski	D7/510
D655,569 S *	3/2012	Lipson	D7/509	D780,517 S *	3/2017	Boroski	D7/510
D656,025 S *	3/2012	Carreno	D7/509	D781,106 S *	3/2017	Boroski	D7/511
D658,445 S *	5/2012	Carreno	D7/510	D790,923 S *	7/2017	Boroski	D7/529
D660,081 S *	5/2012	Gilbert	D7/396.2	2003/0080135 A1 *	5/2003	Bezek	B65D 1/165 220/673
D660,082 S *	5/2012	Wahl	D7/510	2008/0101850 A1 *	5/2008	Wojcik	A45D 34/04 401/265
D660,705 S *	5/2012	Simmons	D9/449	2009/0290928 A1 *	11/2009	Samuelson	A45F 5/004 401/6
D672,648 S *	12/2012	Goto	D9/443	2010/0219153 A1 *	9/2010	Mooney	B65D 1/0223 215/381
D675,865 S *	2/2013	Wahl	D7/392.1	2016/0000245 A1 *	1/2016	Sims	A47G 19/2272 220/253
D680,369 S *	4/2013	Starks	D7/392.1	2016/0115008 A1 *	4/2016	Bohen	B65B 63/08 53/431
D686,872 S *	7/2013	Lane	D7/392.1				
D688,949 S *	9/2013	Johnson	D9/451				
D690,557 S *	10/2013	Carreno	D7/510				
D692,303 S *	10/2013	Rhodes	D9/516				
D695,069 S *	12/2013	Lane	D7/510				

* cited by examiner

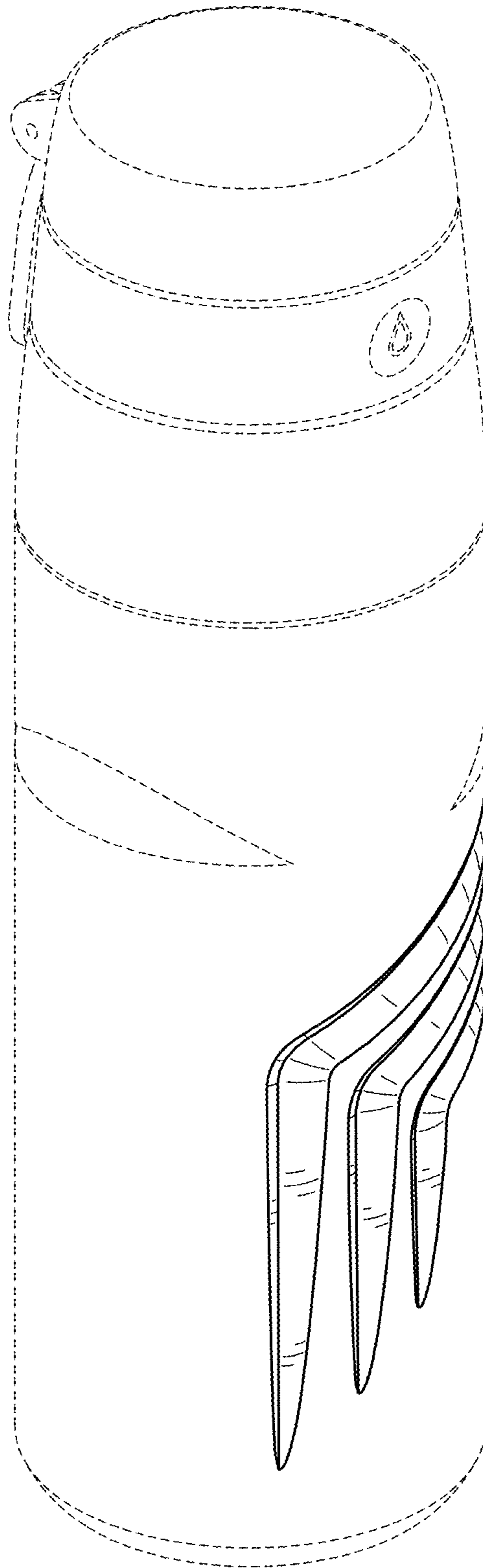


FIG. 1

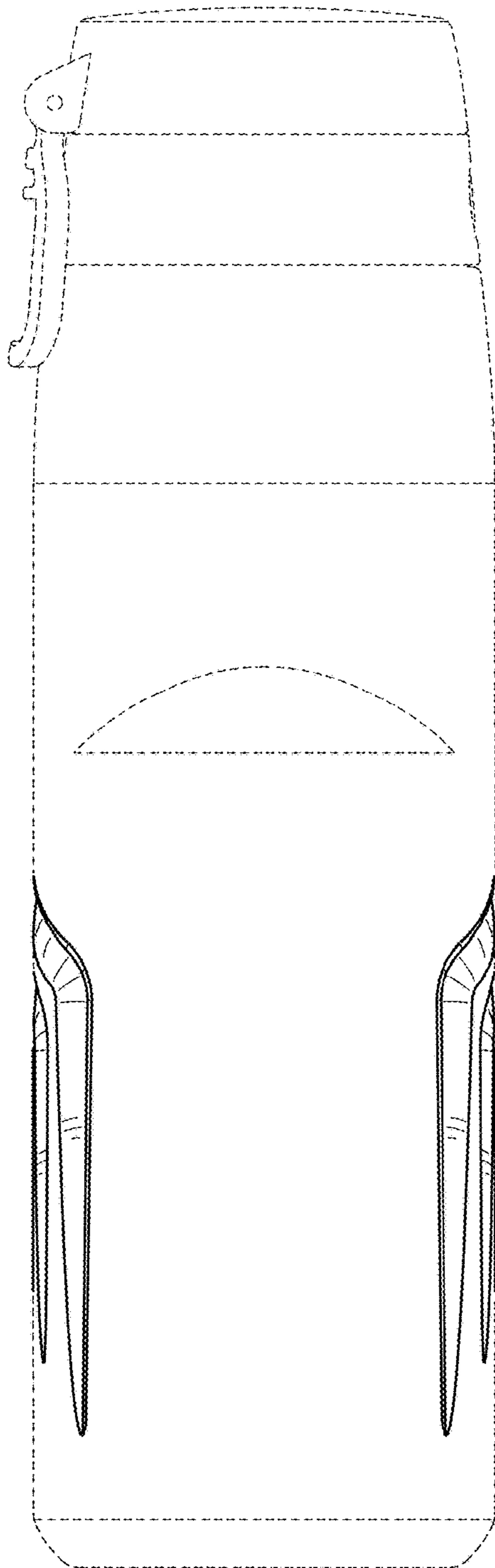


FIG. 2

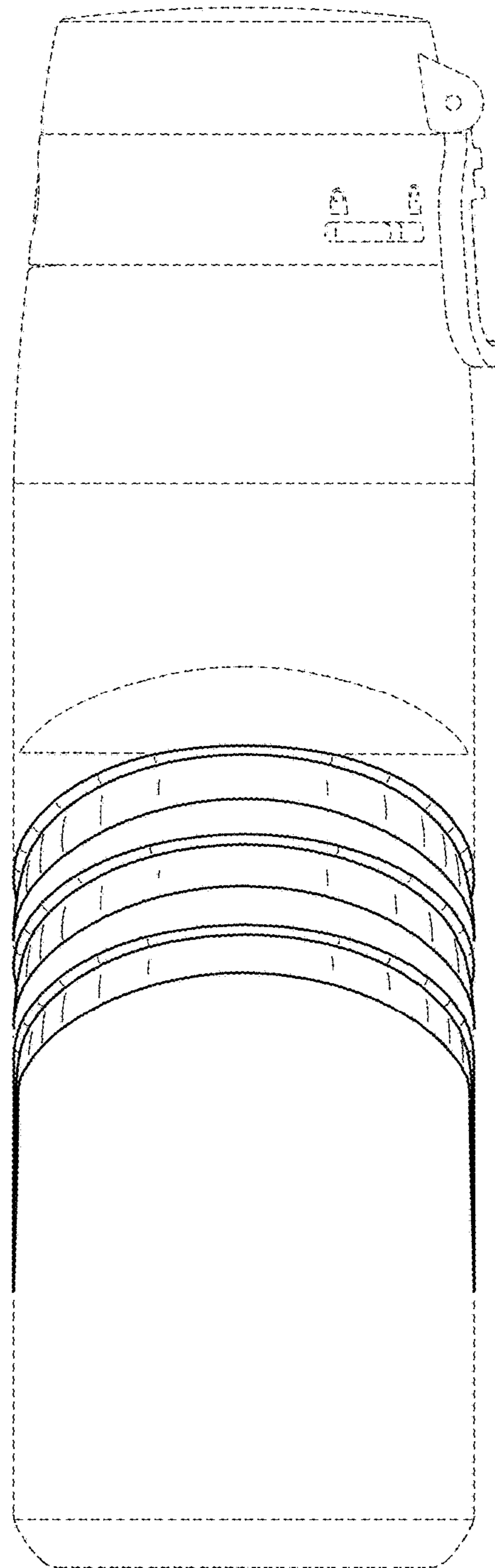


FIG. 3

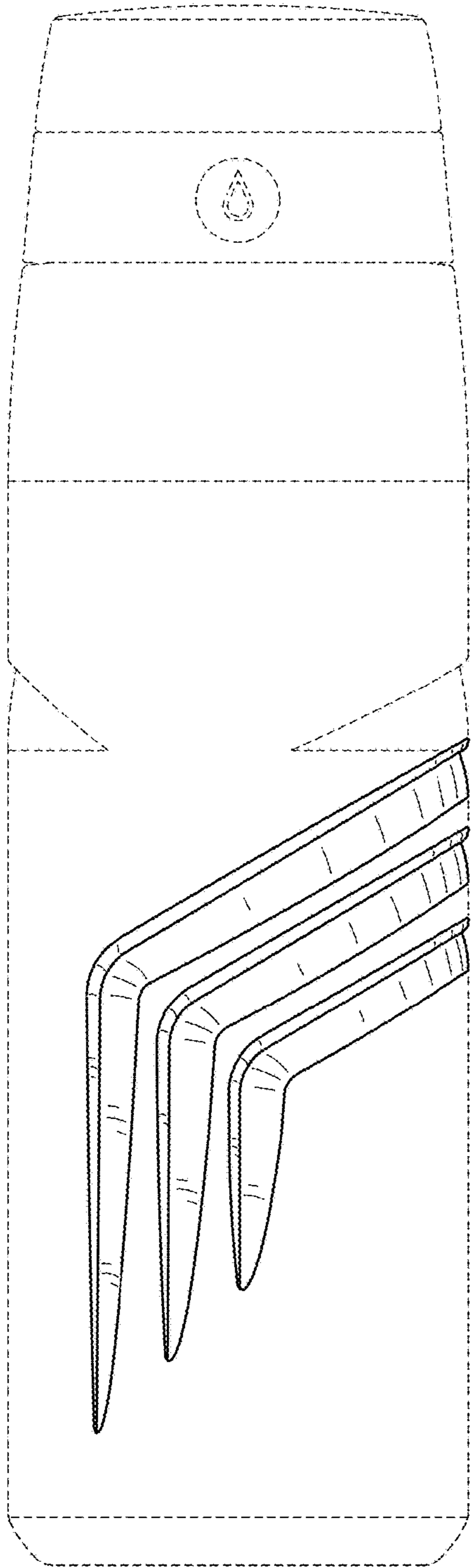


FIG. 4

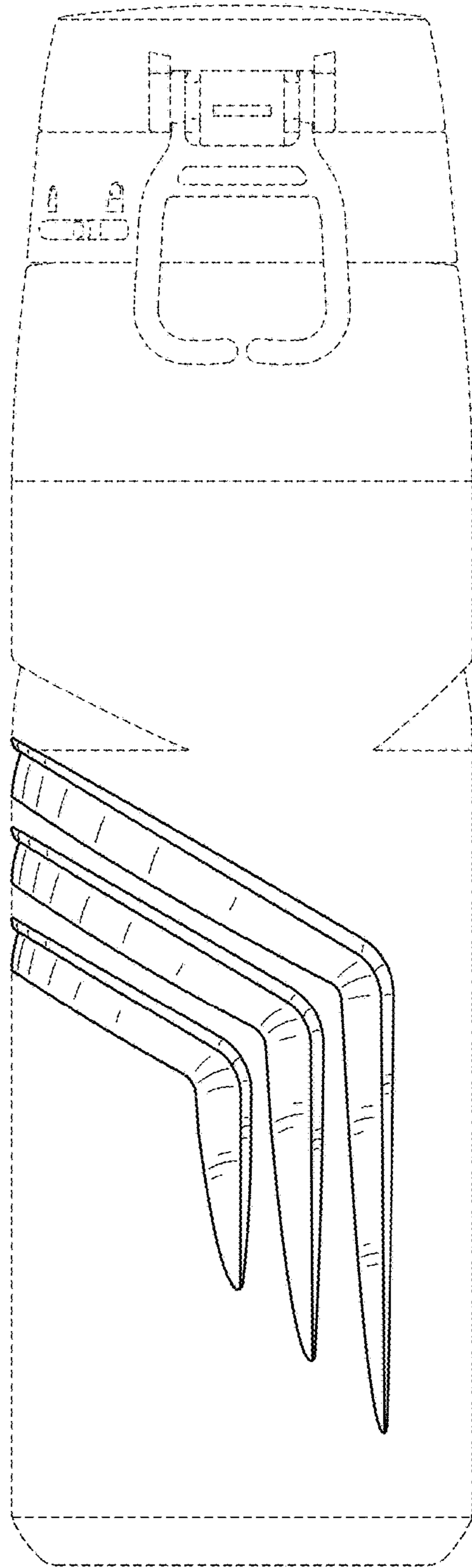


FIG. 5

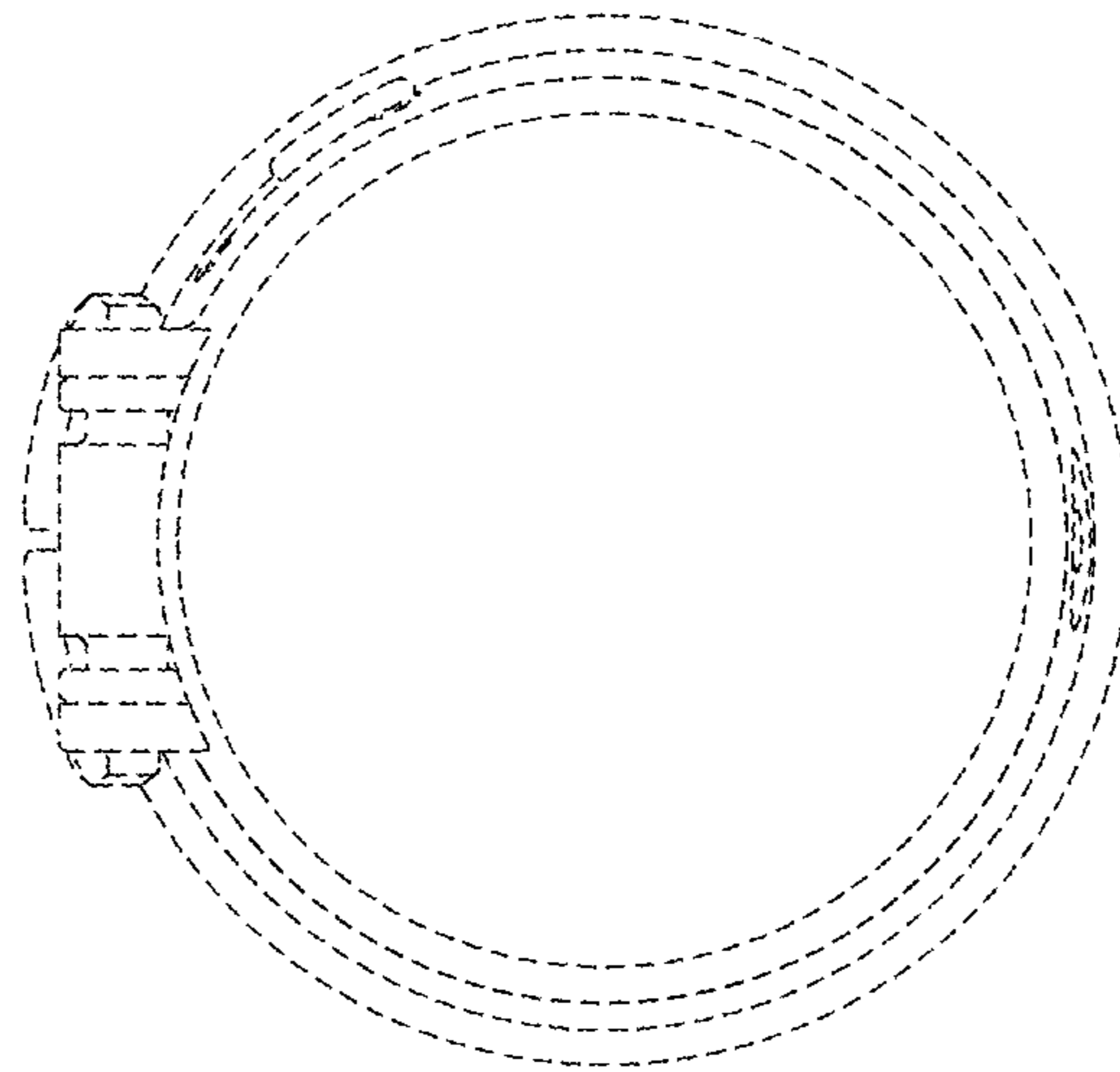


FIG. 6

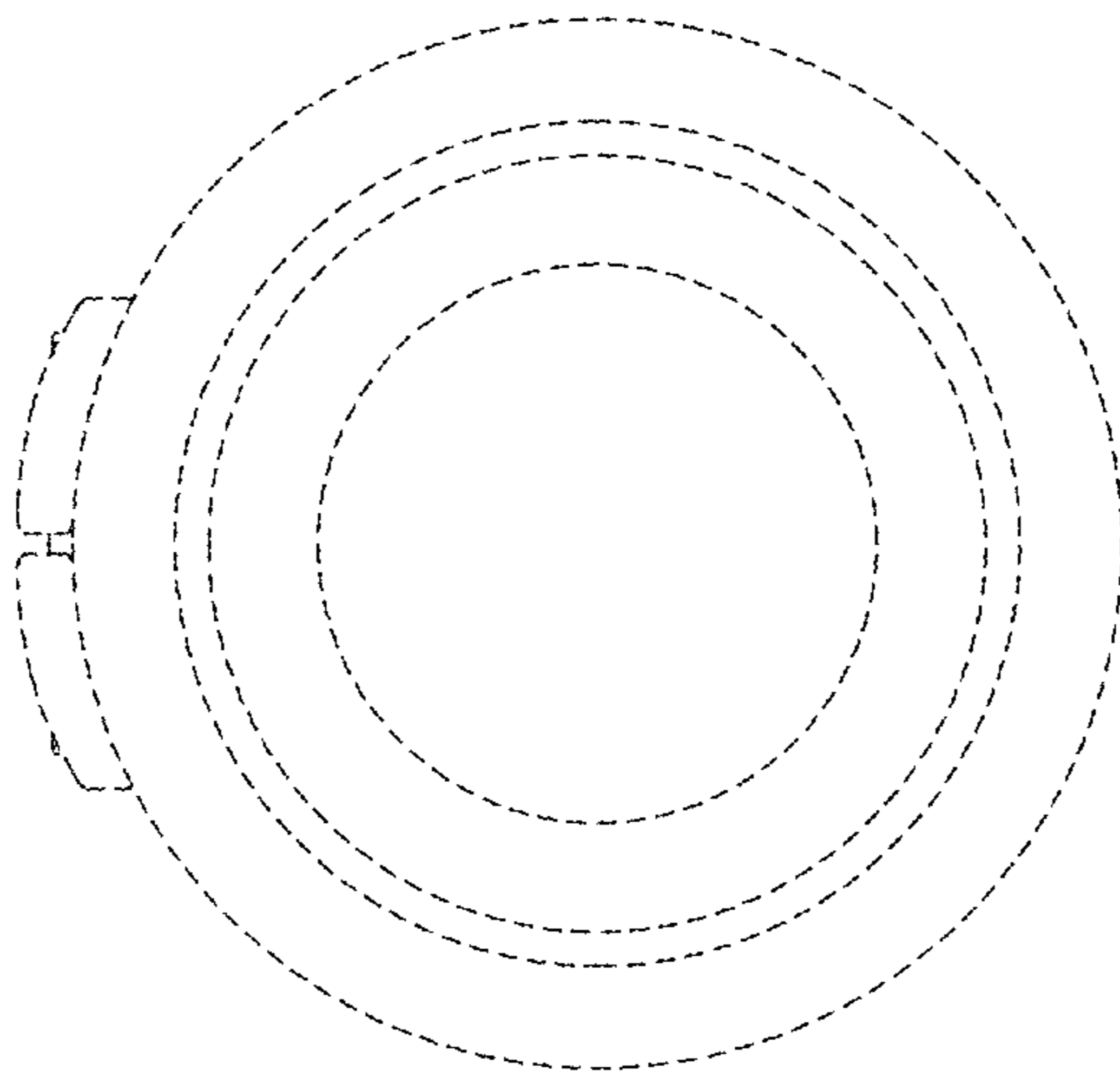


FIG. 7