



US00D808713S

(12) **United States Design Patent**  
**Rane et al.**

(10) **Patent No.:** **US D808,713 S**  
(45) **Date of Patent:** **\*\* Jan. 30, 2018**

(54) **LID**

(71) Applicant: **YETI Coolers, LLC**, Austin, TX (US)

(72) Inventors: **Mark Rane**, Austin, TX (US); **Dustin Bullock**, Austin, TX (US); **Ian Cunningham**, Austin, TX (US)

(73) Assignee: **YETI Coolers, LLC**, Austin, TX (US)

(\*\*) Term: **15 Years**

(21) Appl. No.: **29/587,376**

(22) Filed: **Dec. 13, 2016**

(51) **LOC (11) Cl.** ..... **07-01**

(52) **U.S. Cl.**  
USPC ..... **D7/396.2**; D9/443

(58) **Field of Classification Search**  
USPC ..... D7/316, 392, 392.1, 396.2, 397, 510,  
D7/533; D9/434–436, 438, 439, 440,  
D9/443, 444, 447–450, 452–454, 499,  
D9/549, 715, 717–719; D23/260, 269,  
D23/390  
CPC ..... B65D 25/42  
See application file for complete search history.

(56) **References Cited**

**U.S. PATENT DOCUMENTS**

134,384 A	12/1872	King
164,198 A	6/1875	Barber
573,212 A	12/1896	Friedman et al.
1,372,115 A	3/1921	Bennis
1,441,364 A	1/1923	Marshall
2,717,726 A	9/1955	Mart
2,727,658 A	12/1955	Mart
2,828,895 A	4/1958	Mart
2,839,227 A	6/1958	Burlinson

(Continued)

**FOREIGN PATENT DOCUMENTS**

CA	157772	6/2015
CA	159557	6/2015

(Continued)

**OTHER PUBLICATIONS**

Amazon. Glink—Straw Lid/Cap Hydro Flask Standard Mouth Sports Water Bottle with 2 Plastic Straws, Multi-Compatible with Standard Mouth Stainless Steel Water Bottles. Oct. 11, 2016 [earliest online date], [site visited Jul. 31, 2017]. Available from Internet, <URL:https://www.amazon.com/Glink-Standard-Plastic-Multi-Compatible-Stainless/dp/B01MREDI8K>.\*

*Primary Examiner* — Robert M Spear

*Assistant Examiner* — Darcey E Heflin

(74) *Attorney, Agent, or Firm* — Banner & Witcoff, Ltd.

(57) **CLAIM**

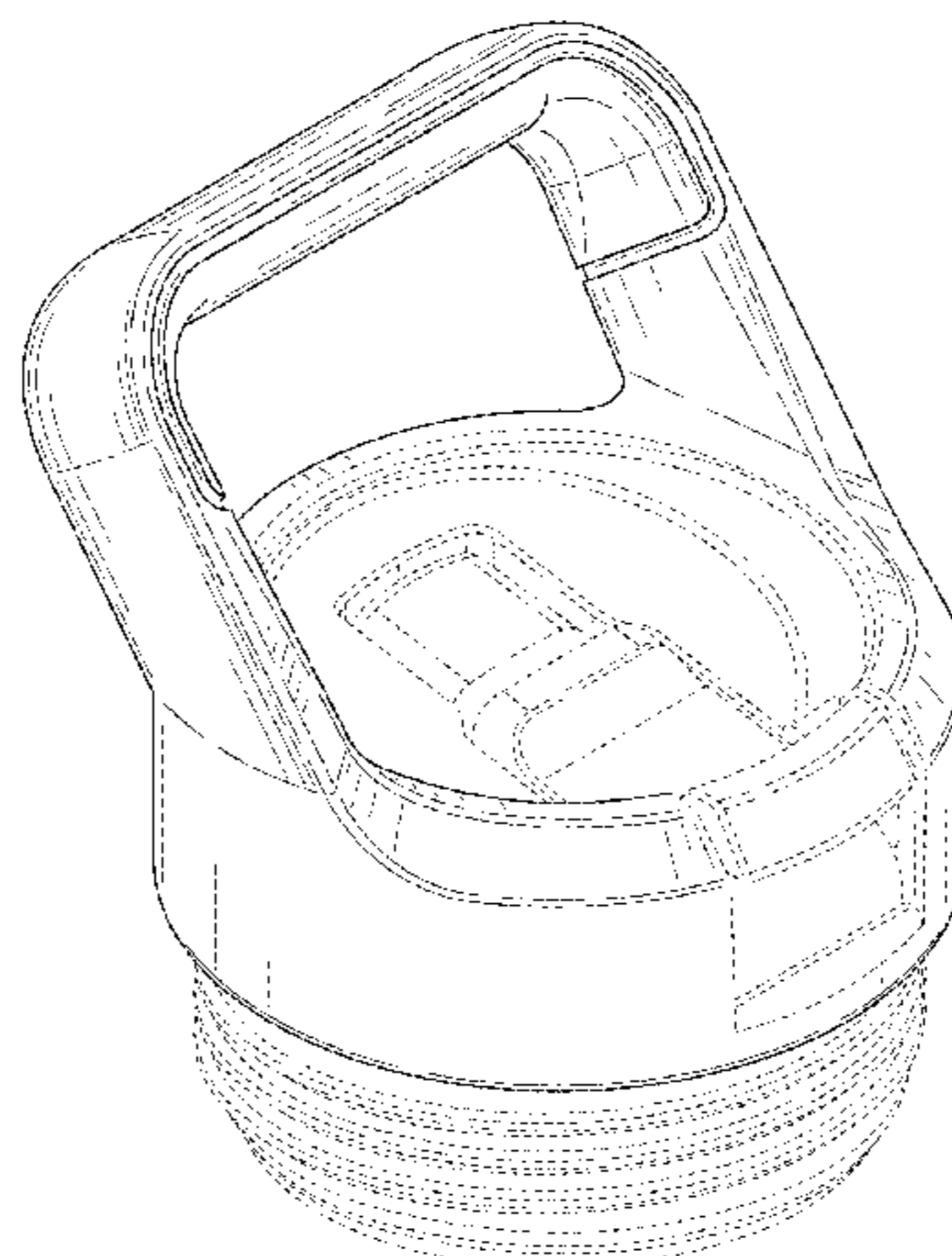
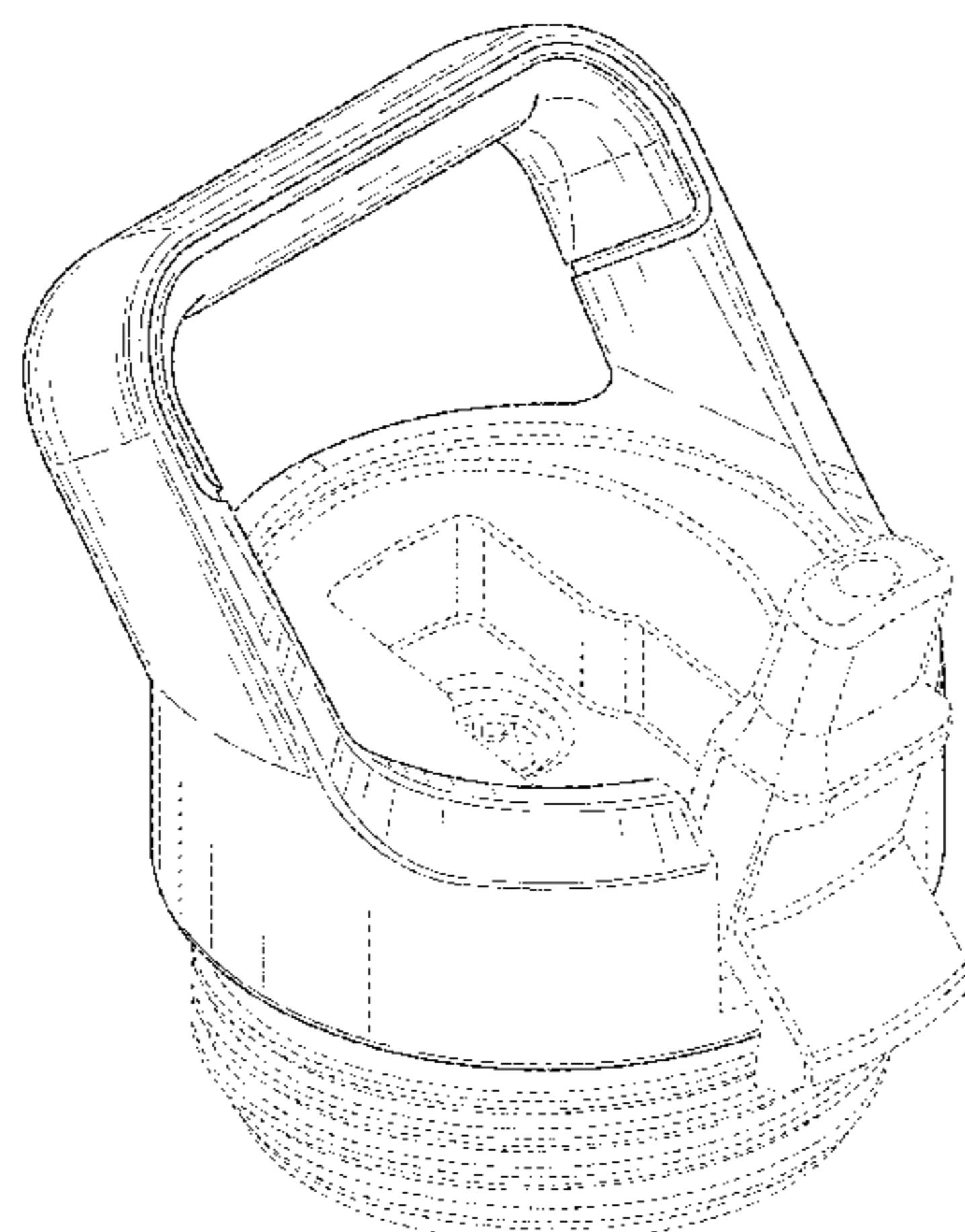
The ornamental design for a lid, as shown and described.

**DESCRIPTION**

FIG. 1 is a top, front, left perspective view of a lid showing our new design in an open position;  
FIG. 2 is a front view thereof;  
FIG. 3 is a rear view thereof;  
FIG. 4 is a right side view thereof;  
FIG. 5 is a left side view thereof;  
FIG. 6 is a top view thereof;  
FIG. 7 is a bottom view thereof;  
FIG. 8 is a top, front, left perspective view of a lid showing our new design in a closed position;  
FIG. 9 is a front view thereof;  
FIG. 10 is a rear view thereof;  
FIG. 11 is a right side view thereof;  
FIG. 12 is a left side view thereof;  
FIG. 13 is a top view thereof; and,  
FIG. 14 is a bottom view thereof.

In the drawings, the claim is limited to the shaded surfaces. The broken lines showing portions of a lid depict environment and form no part of the claim.

**1 Claim, 13 Drawing Sheets**



(56)

References Cited

U.S. PATENT DOCUMENTS

2,883,091 A	4/1959	Barravecchia	D632,176 S	2/2011	McKinney et al.
2,916,190 A	12/1959	Furn	7,913,869 B2	3/2011	Cuocolo, Jr.
2,936,934 A	5/1960	Kubiliunas	D638,658 S	5/2011	Station
3,023,939 A	3/1962	Gustafson	D649,879 S	12/2011	Gullickson et al.
3,055,556 A	9/1962	Hester	D651,847 S *	1/2012	Gilbert ..... D7/392.1
3,089,626 A	5/1963	Kubiliunas	D652,256 S	1/2012	Eyal
3,163,337 A	12/1964	Wilson	D653,081 S	1/2012	George
3,181,743 A	5/1965	Libit	8,191,727 B2	6/2012	Davies et al.
3,251,516 A	5/1966	Thomas	D668,116 S	10/2012	Eyal
3,318,494 A	5/1967	Mathison	D669,310 S	10/2012	Barreto et al.
RE26,318 E	12/1967	Wilson	D669,732 S	10/2012	Hopkins et al.
3,477,618 A	11/1969	Hazard	D672,609 S	12/2012	Aziz et al.
3,495,745 A	2/1970	Akers	8,376,162 B2	2/2013	Yang
3,502,248 A	3/1970	Libit	8,376,173 B2	2/2013	Britto et al.
3,653,546 A	4/1972	Hazard	D679,541 S	4/2013	Samartgis
3,655,099 A	4/1972	Hazard	8,408,414 B2	4/2013	Roth et al.
3,655,103 A	4/1972	Hazard	D682,034 S	5/2013	El-Saden et al.
3,718,238 A	2/1973	Hazard et al.	D683,581 S	6/2013	Archer
3,776,428 A	12/1973	Hazard	D685,606 S	7/2013	Keys et al.
3,782,577 A	1/1974	Levey	D688,093 S	8/2013	Roth et al.
3,786,964 A	1/1974	Landen	8,550,269 B2	10/2013	Lane
3,863,818 A	2/1975	Hazard	8,602,238 B2	12/2013	El-Saden et al.
3,873,005 A	3/1975	Hazard	D700,012 S	2/2014	Hurley et al.
3,881,643 A	5/1975	LaVange	D700,014 S	2/2014	Zeanah
3,957,181 A	5/1976	Hazard	8,662,359 B1	3/2014	Hickey
4,015,756 A	4/1977	Beck	8,672,155 B2	3/2014	Knierbein et al.
4,081,113 A	3/1978	Hazard	8,672,174 B1	3/2014	McMullin
4,282,991 A	8/1981	Hazard	D701,727 S	4/2014	Gilbert
4,440,327 A	4/1984	Dark	8,689,989 B2	4/2014	Lane
4,674,661 A	6/1987	Herold	8,695,830 B2	4/2014	Meyers et al.
4,756,451 A	7/1988	Wilson	D704,986 S	5/2014	Manies
4,903,870 A	2/1990	La Vange	D707,124 S	6/2014	Blain et al.
5,085,336 A	2/1992	Lynd	D712,254 S *	9/2014	Geis ..... D9/436
5,203,468 A	4/1993	Hsu	D712,255 S *	9/2014	Geis ..... D9/436
5,242,079 A	9/1993	Stephens et al.	8,827,099 B2	9/2014	Joy et al.
5,259,538 A	11/1993	Tardif	8,839,974 B2	9/2014	Brandenburger et al.
5,273,172 A	12/1993	Rossbach et al.	8,844,746 B2	9/2014	Meyers et al.
D351,761 S	10/1994	Feer	D716,657 S	11/2014	Caneer
5,392,968 A	2/1995	Dark	D717,103 S	11/2014	Wilbur
5,477,994 A	12/1995	Feer et al.	D719,444 S	12/2014	Sullivan
D366,809 S	2/1996	Green	D719,780 S	12/2014	Sullivan
D367,206 S	2/1996	Green	D720,218 S	12/2014	Hutson et al.
D370,828 S	6/1996	Green	D721,276 S	1/2015	Herbst
D371,048 S	6/1996	Green	8,939,305 B2	1/2015	Meyers et al.
D387,621 S	12/1997	Sullivan et al.	D723,332 S	3/2015	Steel
D396,380 S *	7/1998	Lai ..... D7/392	D724,384 S	3/2015	Donovan et al.
5,797,521 A	8/1998	Sobral	9,010,952 B2	4/2015	Lenahan et al.
5,873,478 A	2/1999	Sullivan et al.	D729,569 S	5/2015	Herbst et al.
5,884,793 A	3/1999	Wang	D730,694 S	6/2015	Elsaden et al.
D408,220 S	4/1999	Chomik	D732,892 S	6/2015	Keys et al.
5,961,010 A	10/1999	Smith	D734,151 S	7/2015	Herbst
6,050,433 A	4/2000	Russell et al.	9,079,205 B2	7/2015	Hoskins
6,119,898 A	9/2000	Dark	9,113,698 B2	8/2015	Blain et al.
6,161,728 A	12/2000	Dark	D739,174 S *	9/2015	Elsaden ..... D7/392.1
D447,004 S	8/2001	Green	D742,174 S	11/2015	Roth et al.
6,390,341 B1	5/2002	Ohmi et al.	D742,230 S	11/2015	Charles
6,523,711 B1	2/2003	Hughes et al.	9,216,843 B2	12/2015	Sorensen et al.
6,609,624 B2	8/2003	Goto et al.	9,221,585 B1	12/2015	Wang
6,619,518 B1	9/2003	Lee	D747,924 S	1/2016	Roth et al.
6,662,972 B2	12/2003	Chu	D748,429 S	2/2016	Lv
D489,225 S	5/2004	Leinenweber	D748,943 S	2/2016	Miller et al.
6,796,464 B1	9/2004	Tung	D750,428 S	3/2016	Keys et al.
7,059,490 B2	6/2006	Son	9,272,822 B2	3/2016	Samartgis
D524,909 S *	7/2006	Bakke ..... D23/233	9,320,375 B2	4/2016	Sweeney et al.
7,124,917 B2	10/2006	Lee	9,324,387 B2	4/2016	Kim
7,152,767 B2	12/2006	Seelhofer	D756,702 S	5/2016	Joseph et al.
D547,607 S	7/2007	Forsman	D760,080 S	6/2016	Gorbald
7,516,862 B2	4/2009	McDonough	D760,586 S *	7/2016	Seiders ..... D7/392.1
D592,905 S	5/2009	Pinelli et al.	9,380,898 B2	7/2016	Mason
D592,913 S	5/2009	Pinelli et al.	9,392,893 B2	7/2016	Sorensen et al.
7,533,783 B2	5/2009	Choi et al.	D763,688 S	8/2016	Breit et al.
D620,754 S	8/2010	Duke	D767,336 S	9/2016	Waggoner et al.
7,766,057 B2	8/2010	Windmiller	D767,337 S	9/2016	Boroski et al.
D626,837 S	11/2010	Meyers et al.	9,439,524 B2	9/2016	Liang
D626,838 S	11/2010	Meyers et al.	D777,508 S *	1/2017	Goodwin ..... D7/392.1
			D780,577 S *	3/2017	Seiders ..... D7/392.1
			D781,145 S *	3/2017	Seiders ..... D7/392.1
			D781,146 S *	3/2017	Seiders ..... D7/392.1
			D786,671 S *	5/2017	Khetarpaul ..... D7/394



(56)

**References Cited**

U.S. PATENT DOCUMENTS

D791,532 S *	7/2017	Yao .....	D7/392.1
2005/0150916 A1	7/2005	De Laforcade	
2008/0128418 A1	6/2008	Ahn	
2008/0272122 A1	11/2008	Son	
2009/0026218 A1	1/2009	Wong	
2009/0120946 A1	5/2009	Hung	
2010/0193462 A1	8/2010	Roth et al.	
2012/0129127 A1	5/2012	Boehm et al.	
2012/0181277 A1	7/2012	Wang-Wu	
2012/0305559 A1	12/2012	Steininger	
2013/0140316 A1	6/2013	Flowers et al.	
2014/0353275 A1	12/2014	Hung	
2015/0001257 A1	1/2015	Sell	
2015/0069079 A1	3/2015	Son	
2015/0353259 A1	12/2015	Burden	
2016/0207672 A1	7/2016	Wong	

FOREIGN PATENT DOCUMENTS

CA	162963	1/2016
CN	301899162	5/2012
CN	302872285	7/2014
CN	302872286	7/2014
CN	303028240	12/2014
CN	303081221	1/2015
CN	303213763	5/2015
CN	303344745	8/2015

CN	303346260	8/2015
CN	303407421	10/2015
CN	303435461	11/2015
CN	303528488	12/2015
CN	303602375	3/2016
CN	303639541	4/2016
CN	303688752	6/2016
CN	303688753	6/2016
CN	303697502	6/2016
CN	303708071	6/2016
CN	303716155	6/2016
CN	303734775	7/2016
CN	303822788	8/2016
DE	402015001125-0001	3/2016
EM	301981911-0001	1/2012
EM	301981911-0002	1/2012
EM	301981911-0003	1/2012
EM	301981911-0004	1/2012
EM	002491571-0001	8/2014
EM	303163369-0007	6/2016
EM	303163369-0012	6/2016
EM	303125830-0001	7/2016
EM	303125830-0003	7/2016
EM	303125830-0004	7/2016
EM	303298629-0002	9/2016
GB	2045987	7/1995
JP	D1525152	6/2015
KR	3008064250001	7/2015
MX	342045-0001	8/2014
MX	343759-0001	5/2015

\* cited by examiner

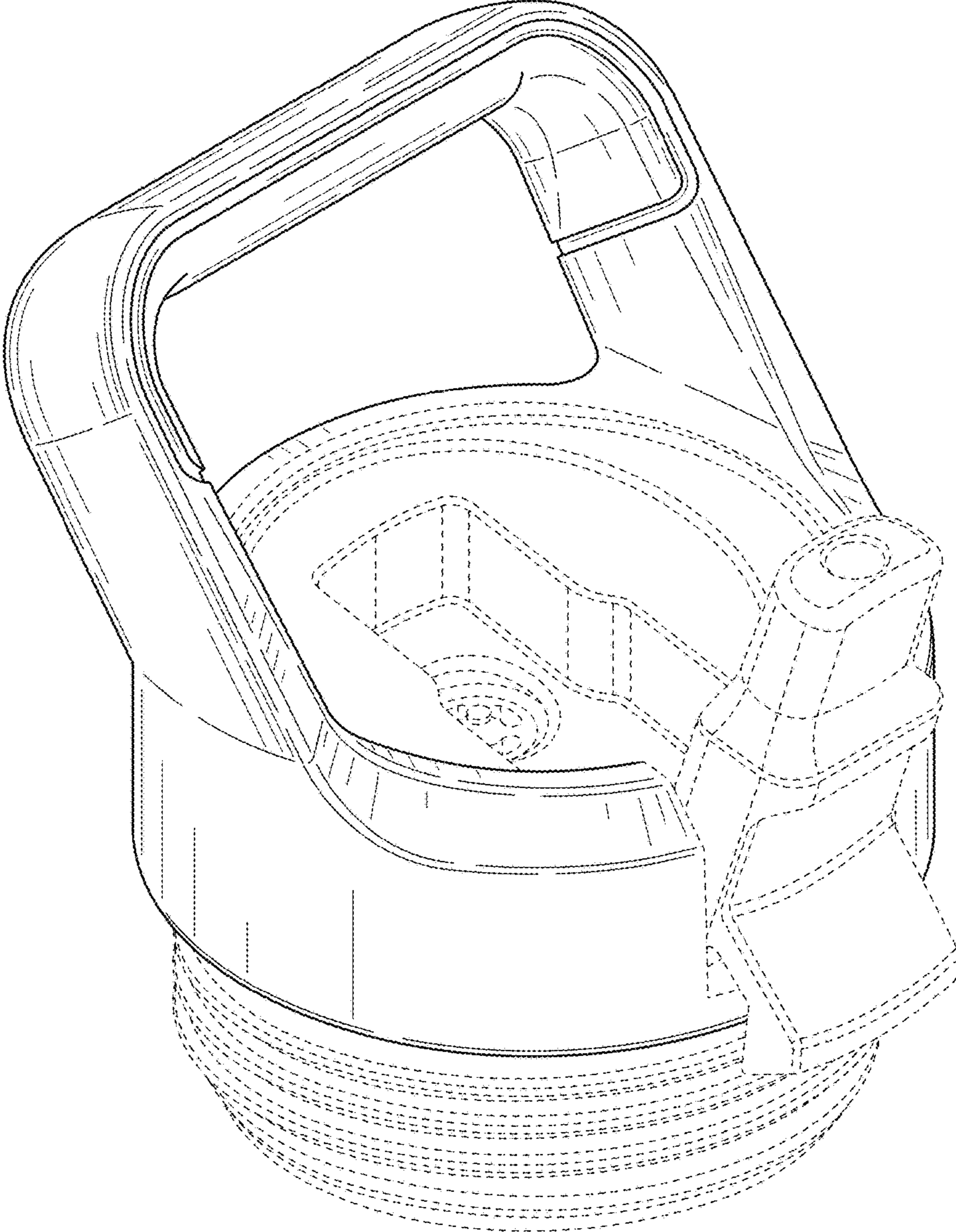


FIG. 1

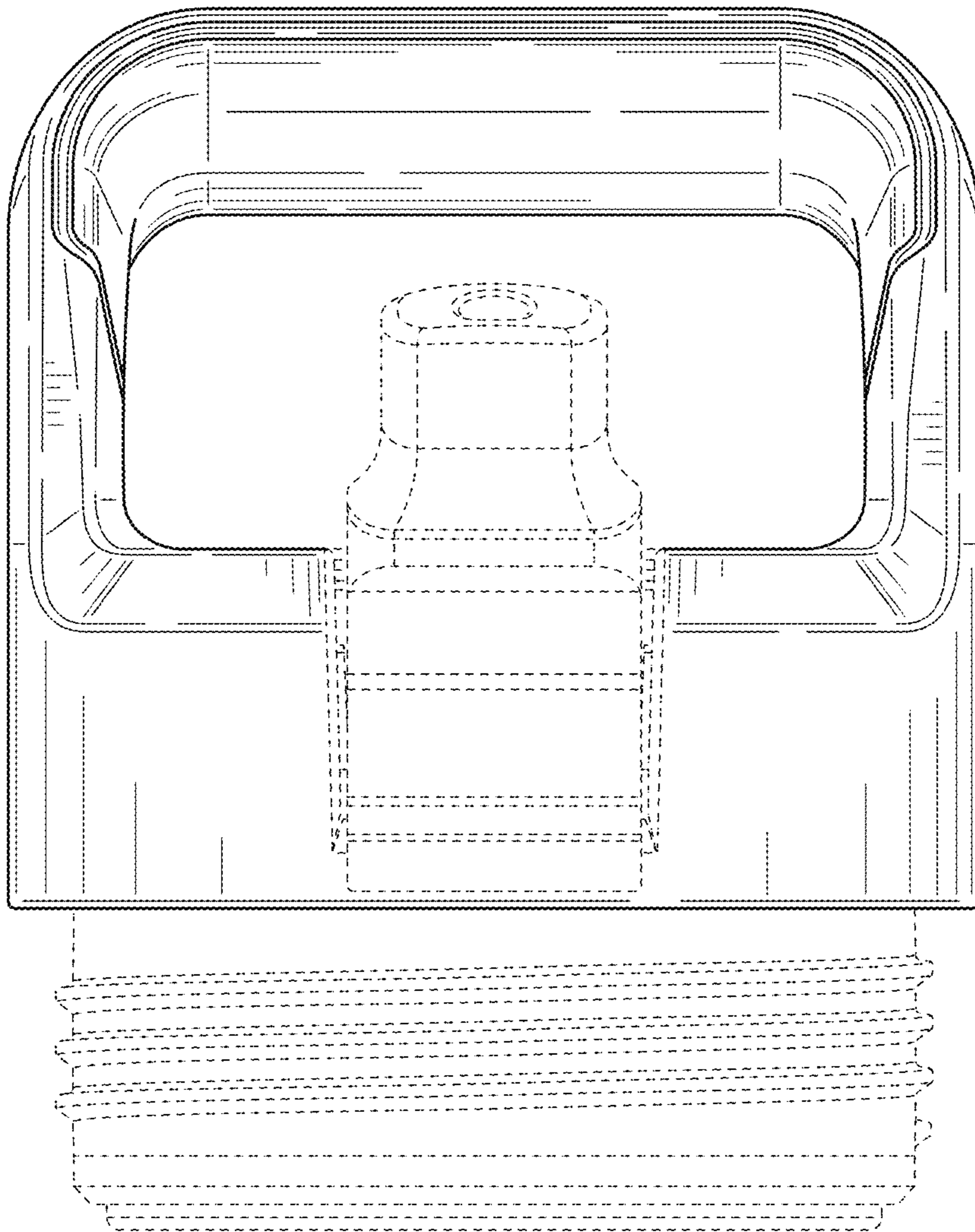


FIG. 2

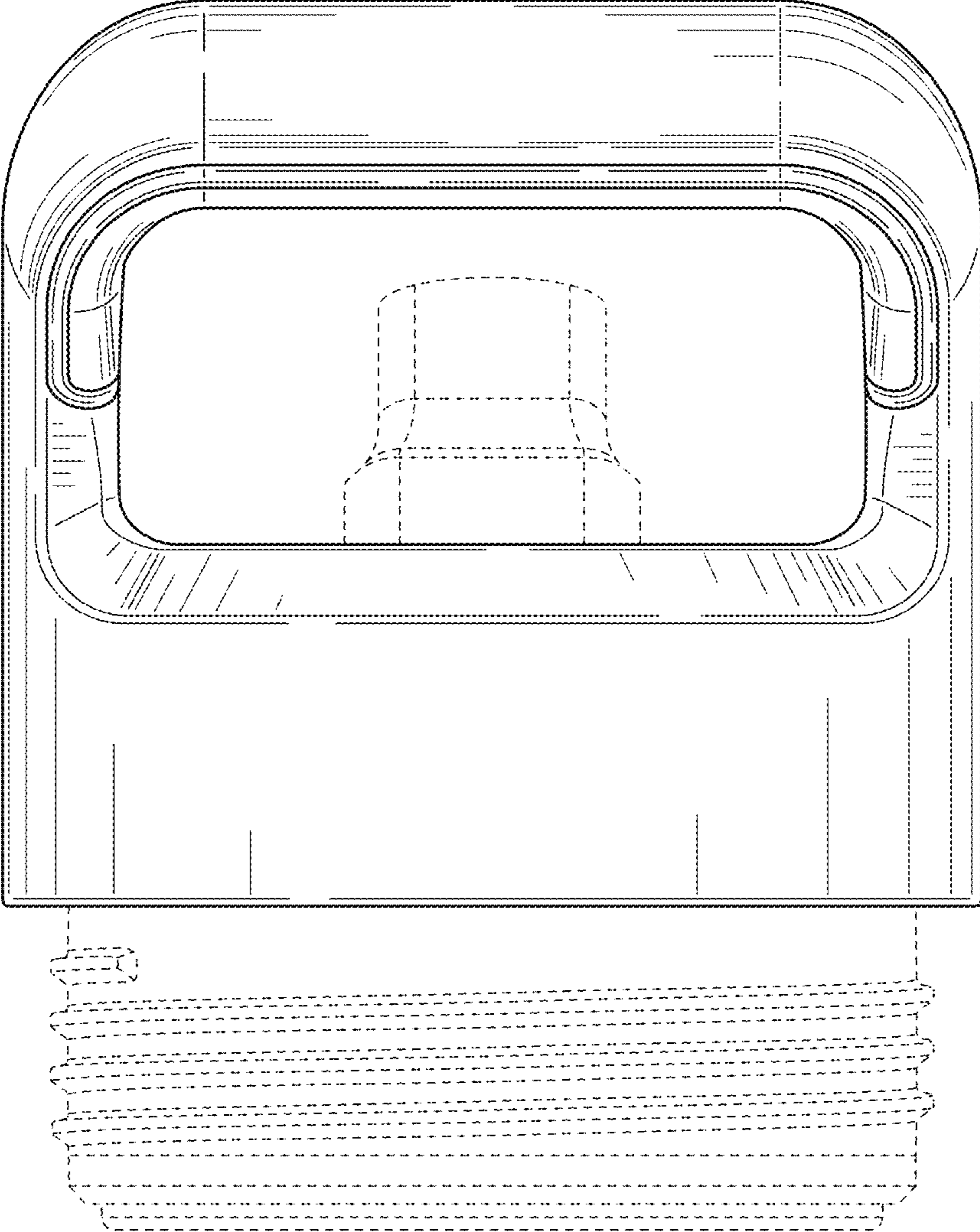


FIG. 3



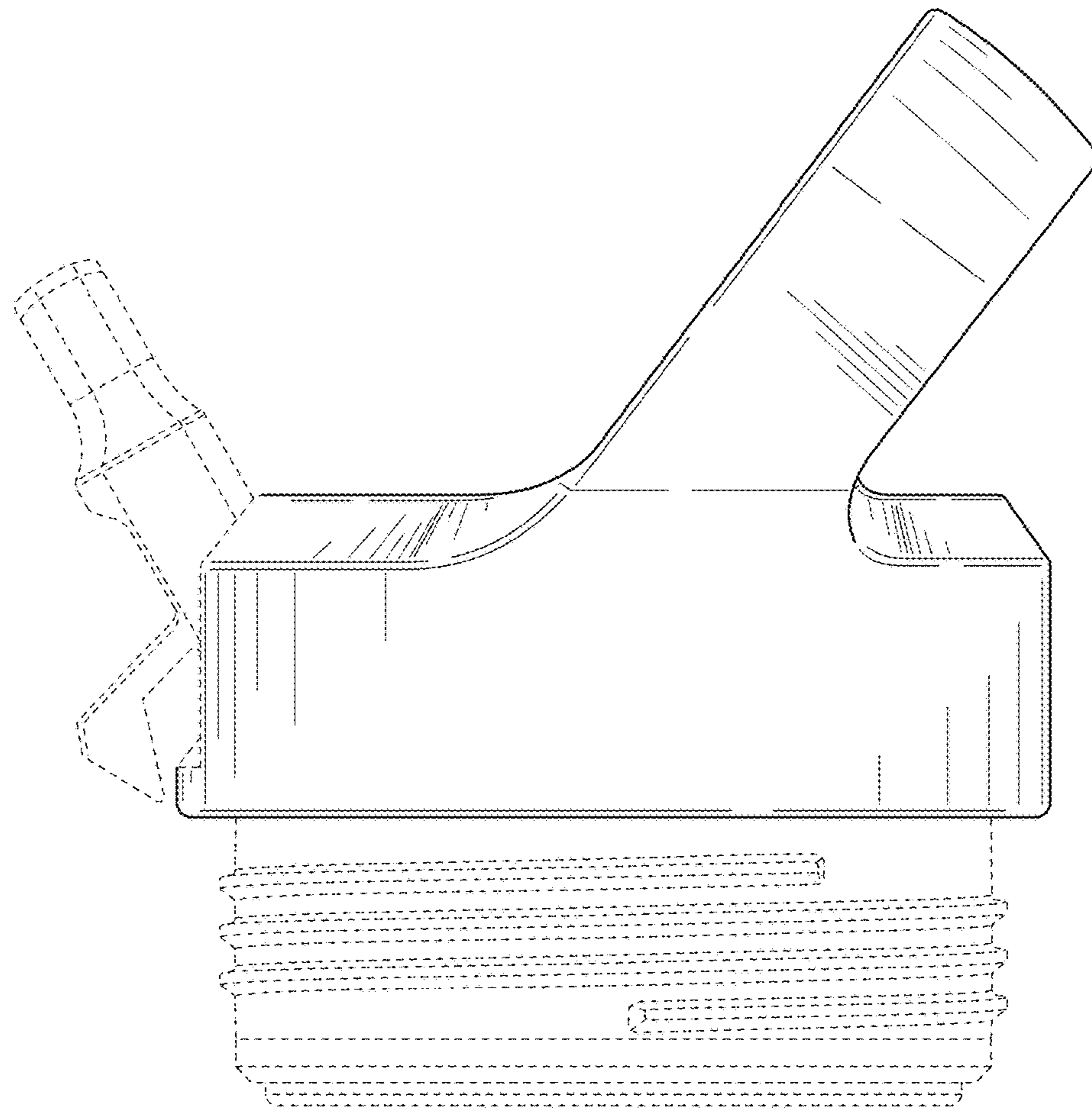


FIG. 4

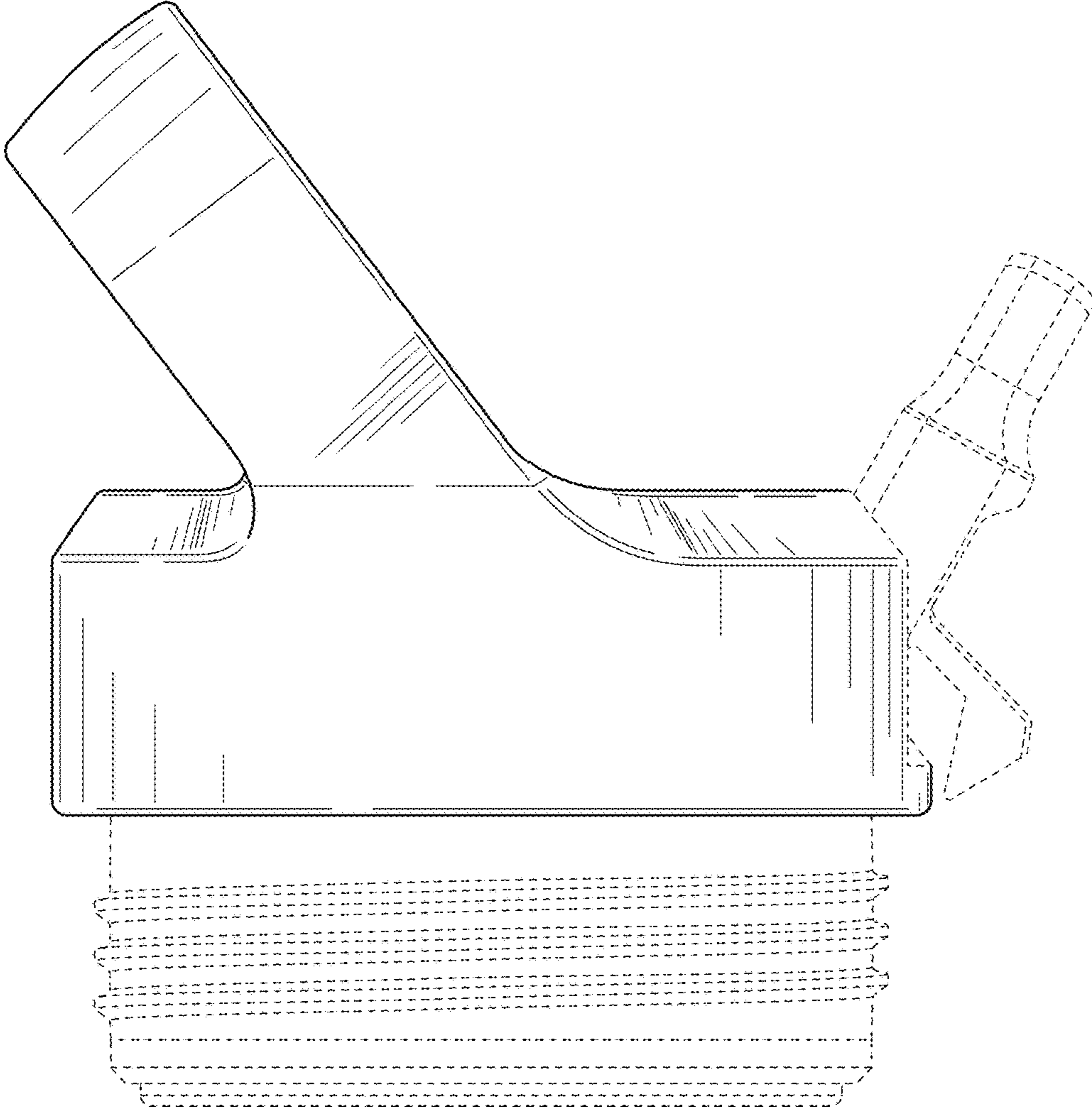


FIG. 5



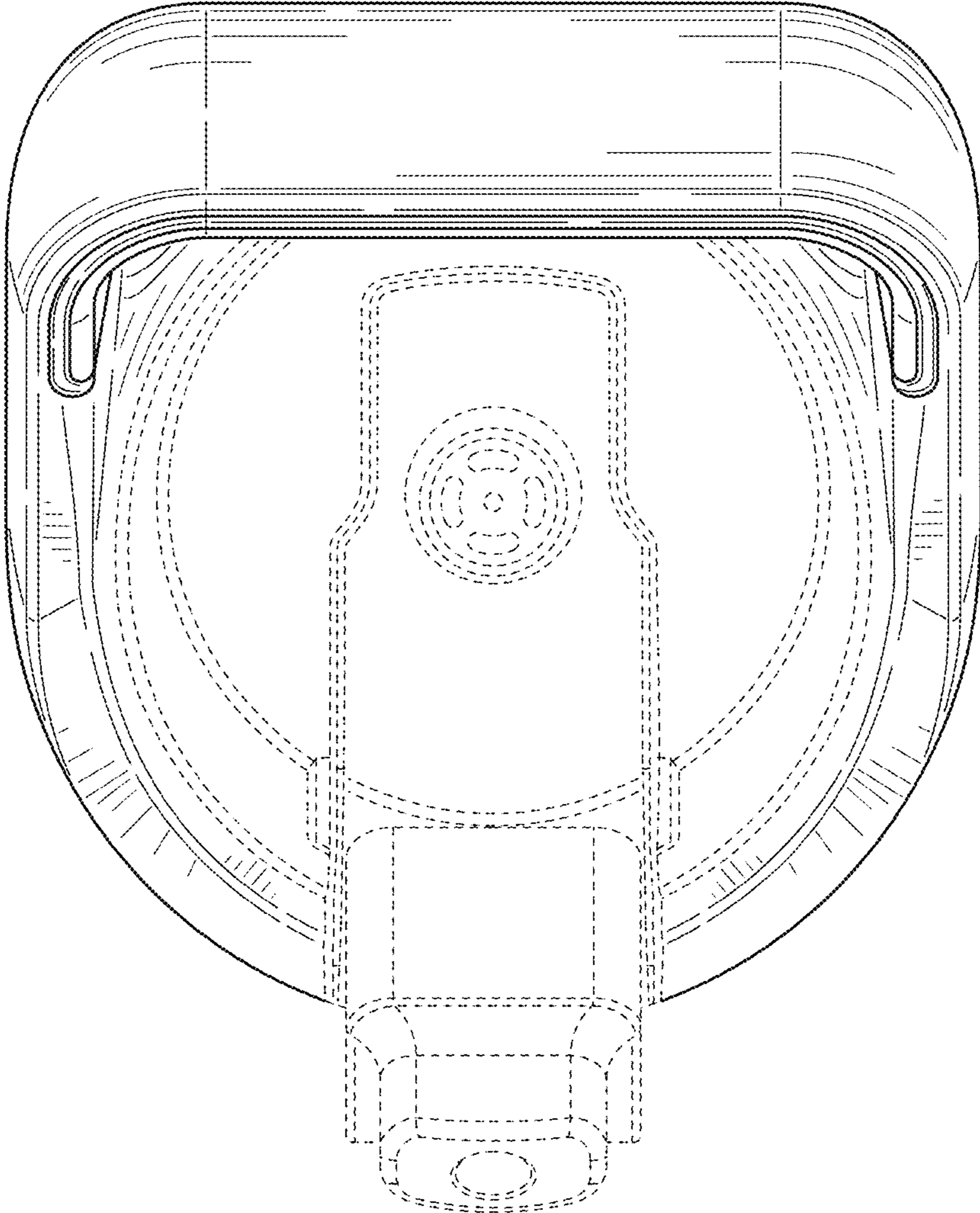


FIG. 6

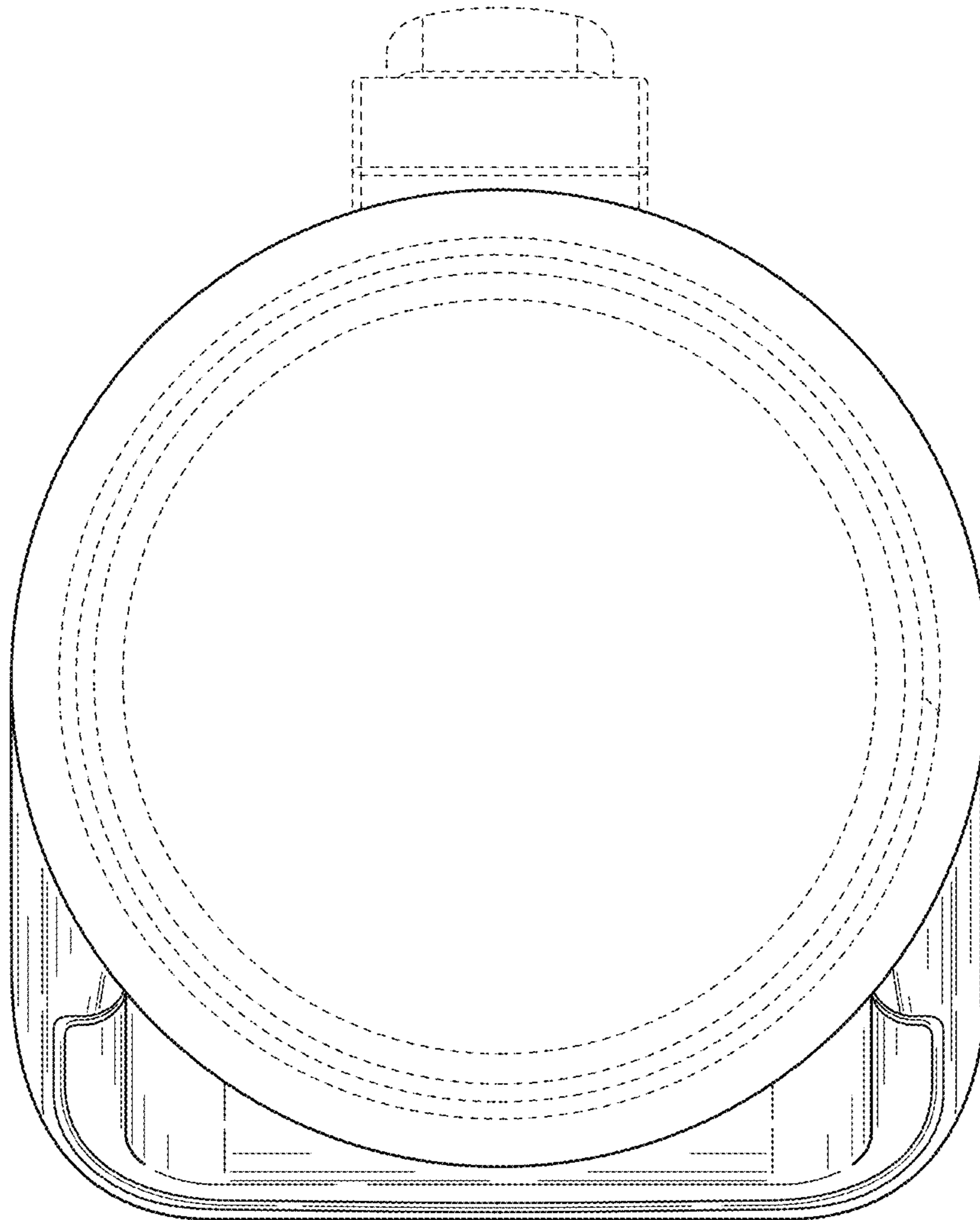


FIG. 7

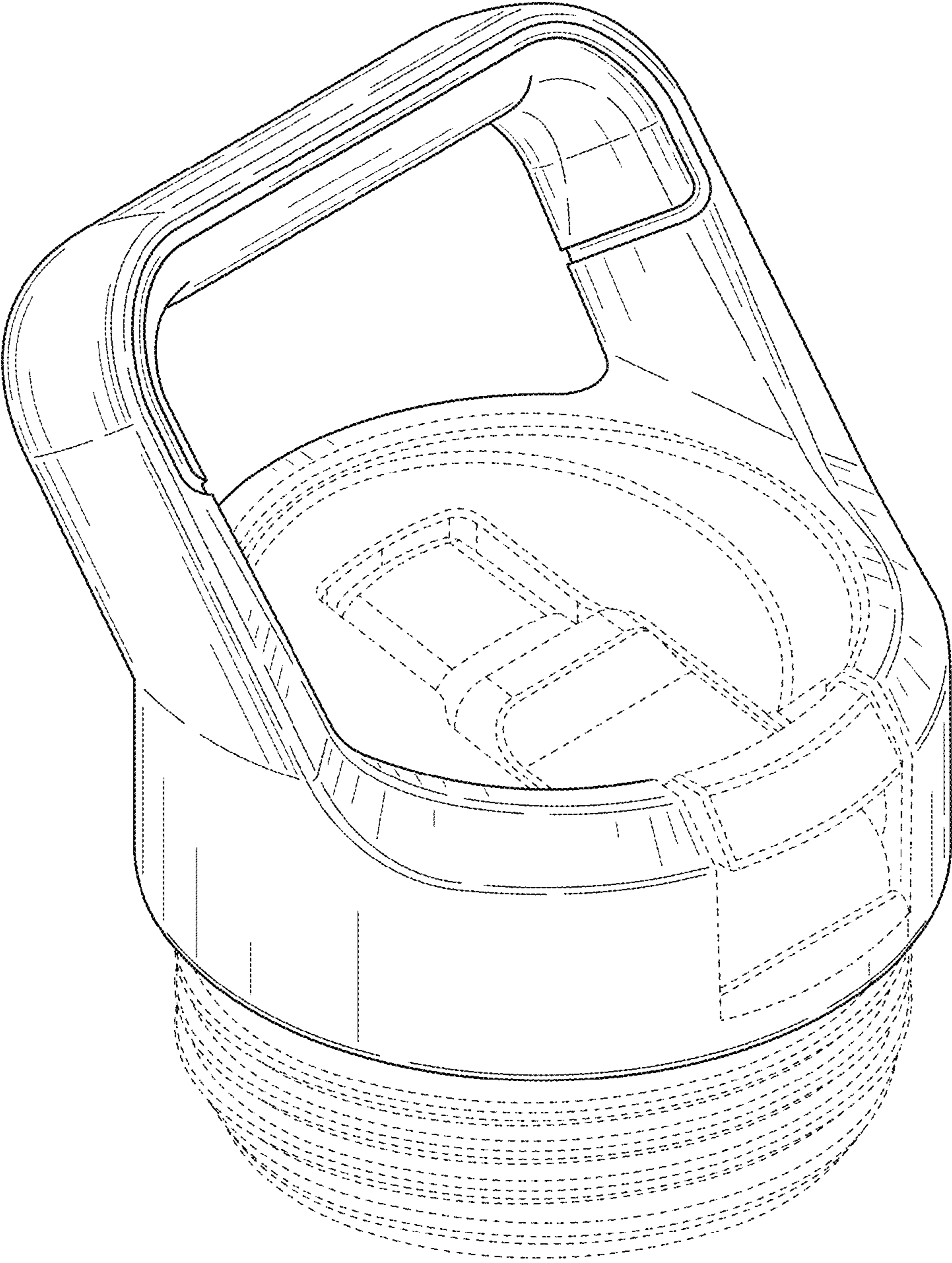


FIG. 8



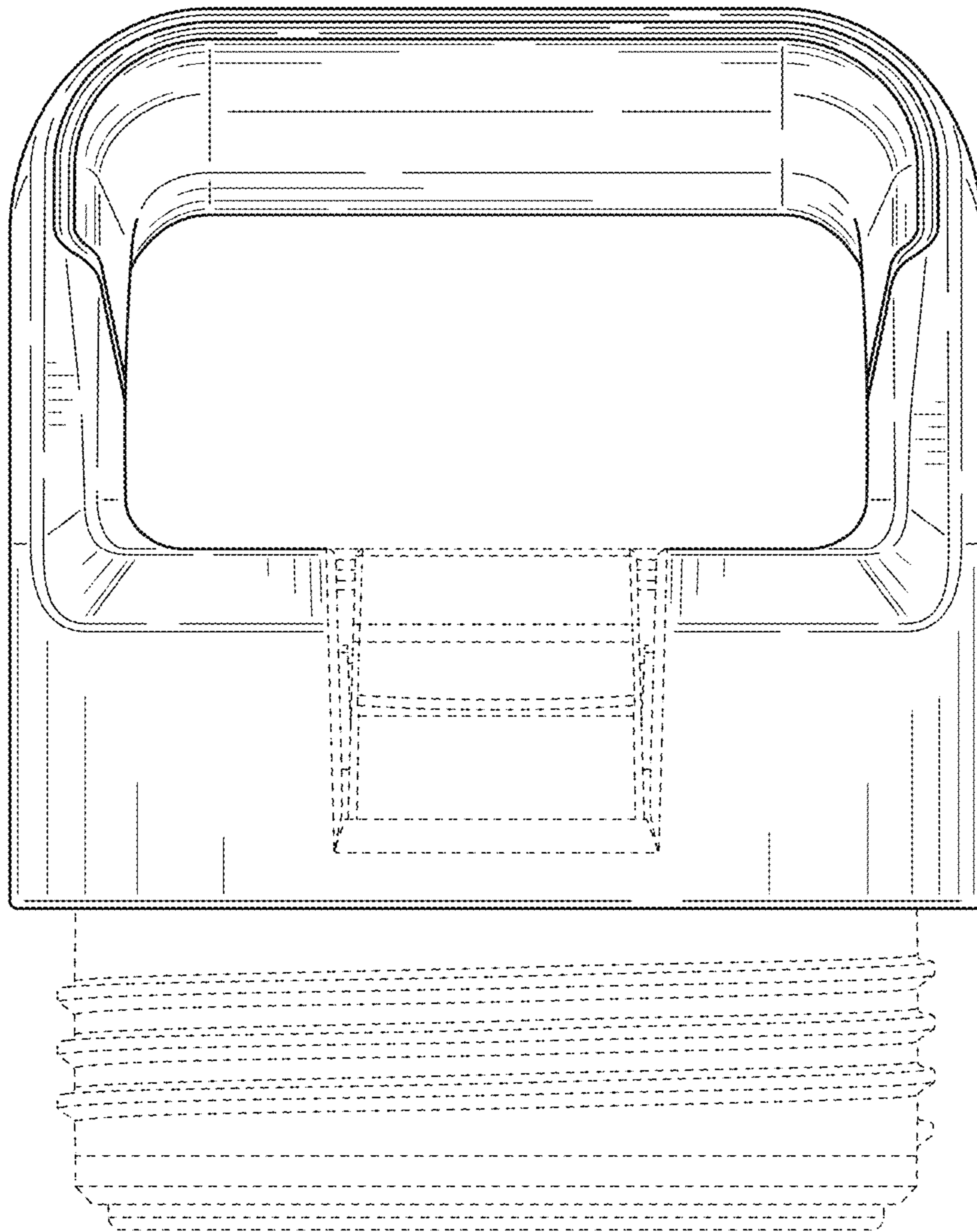


FIG. 9

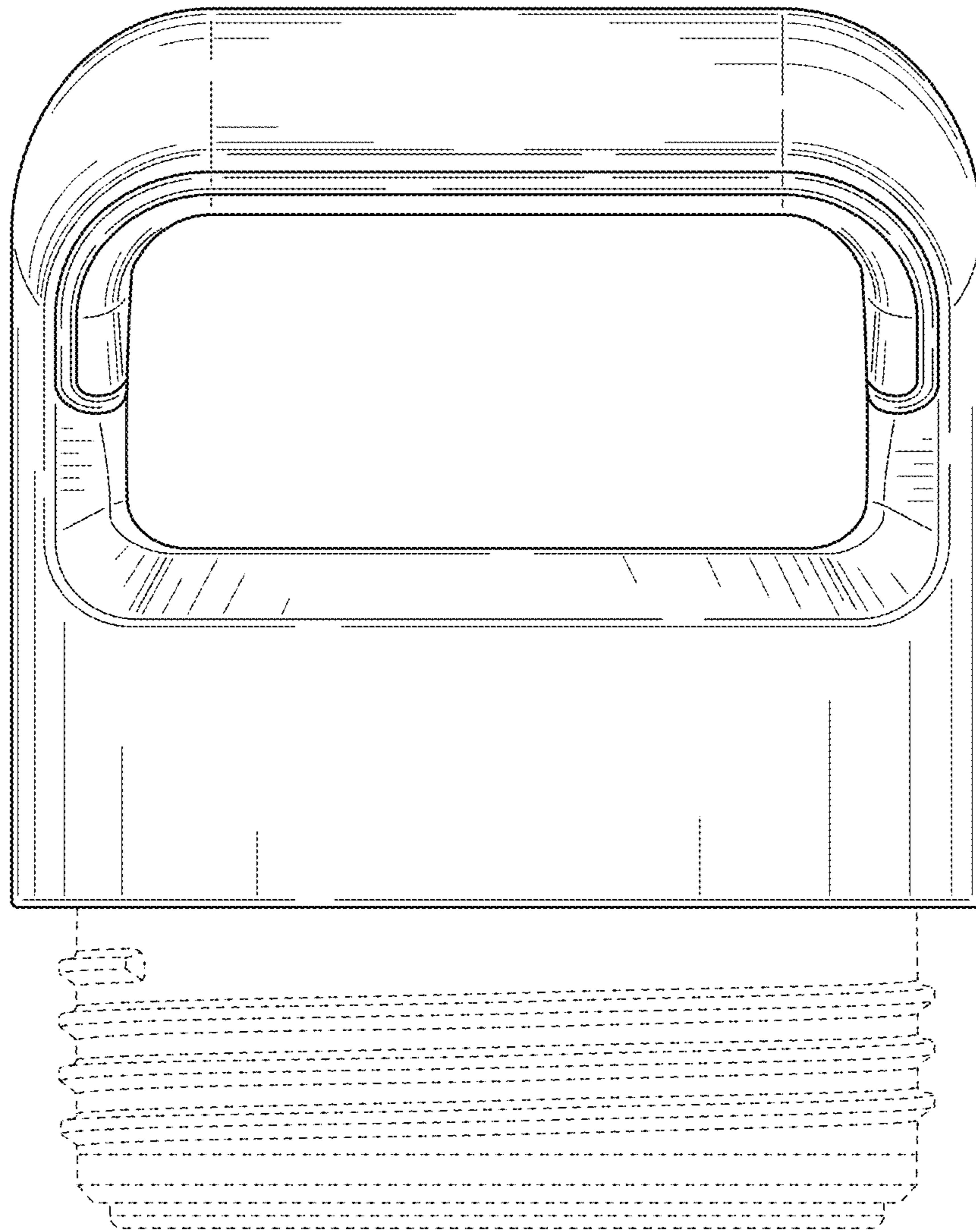


FIG. 10

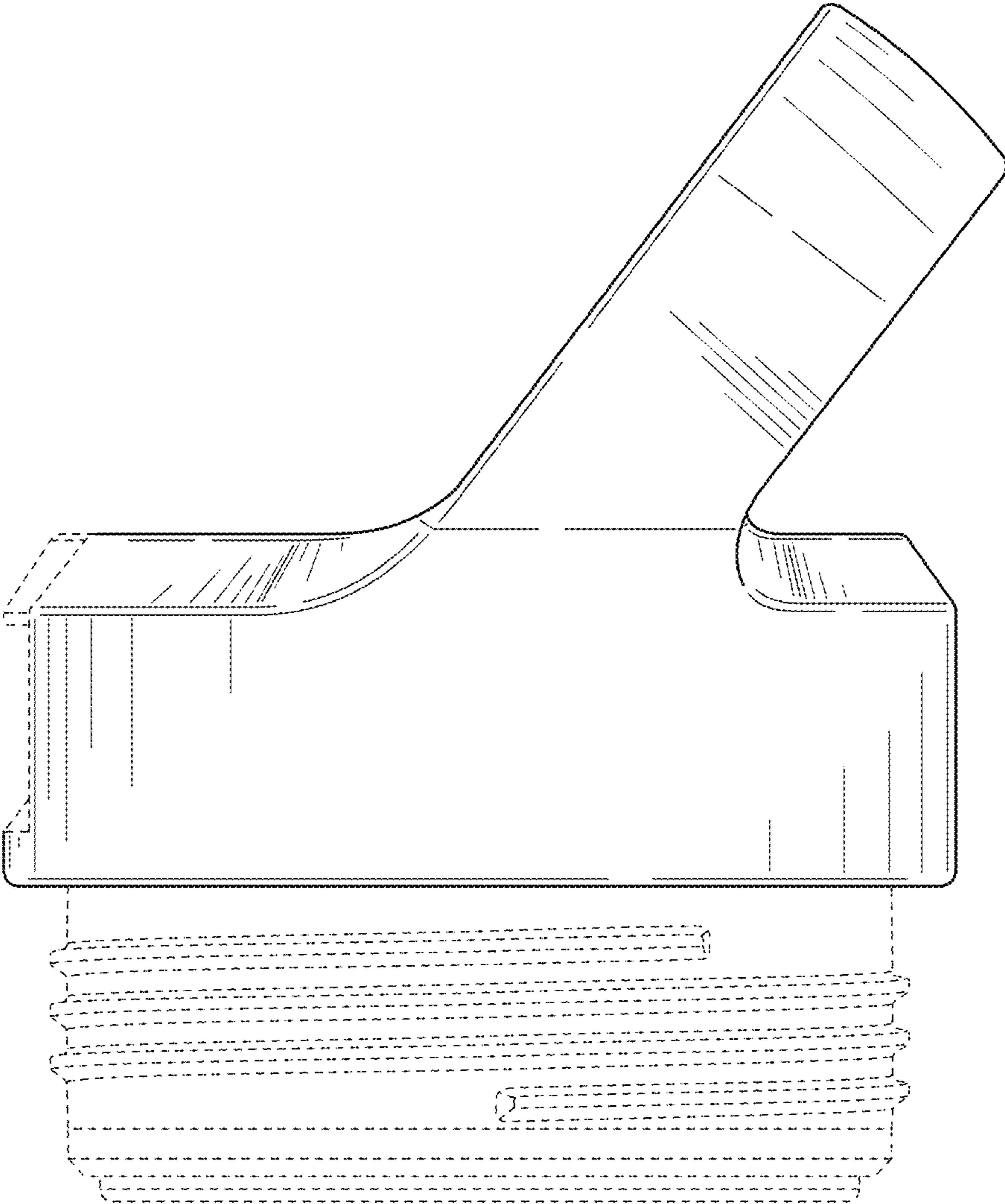


FIG. 11



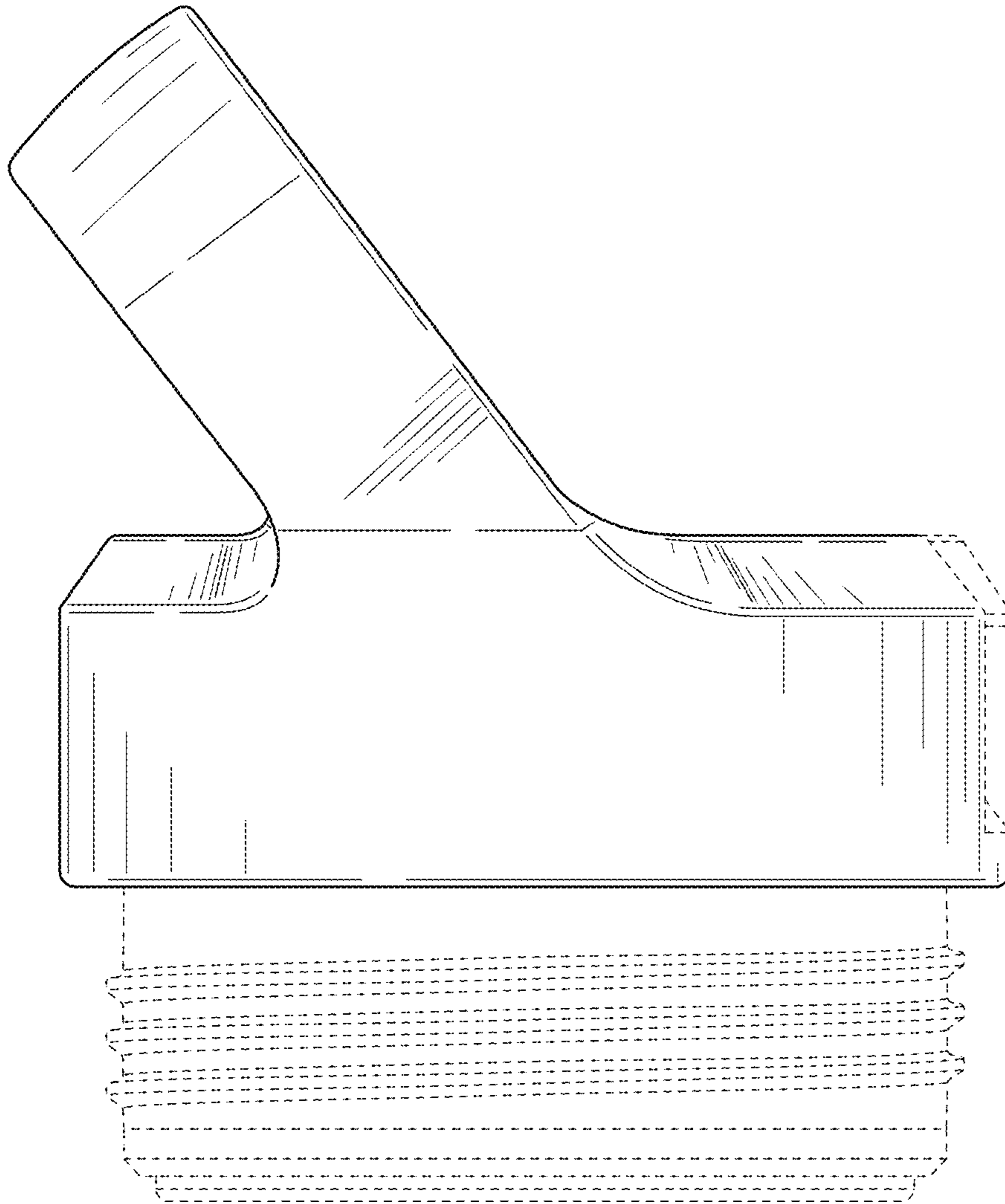


FIG. 12

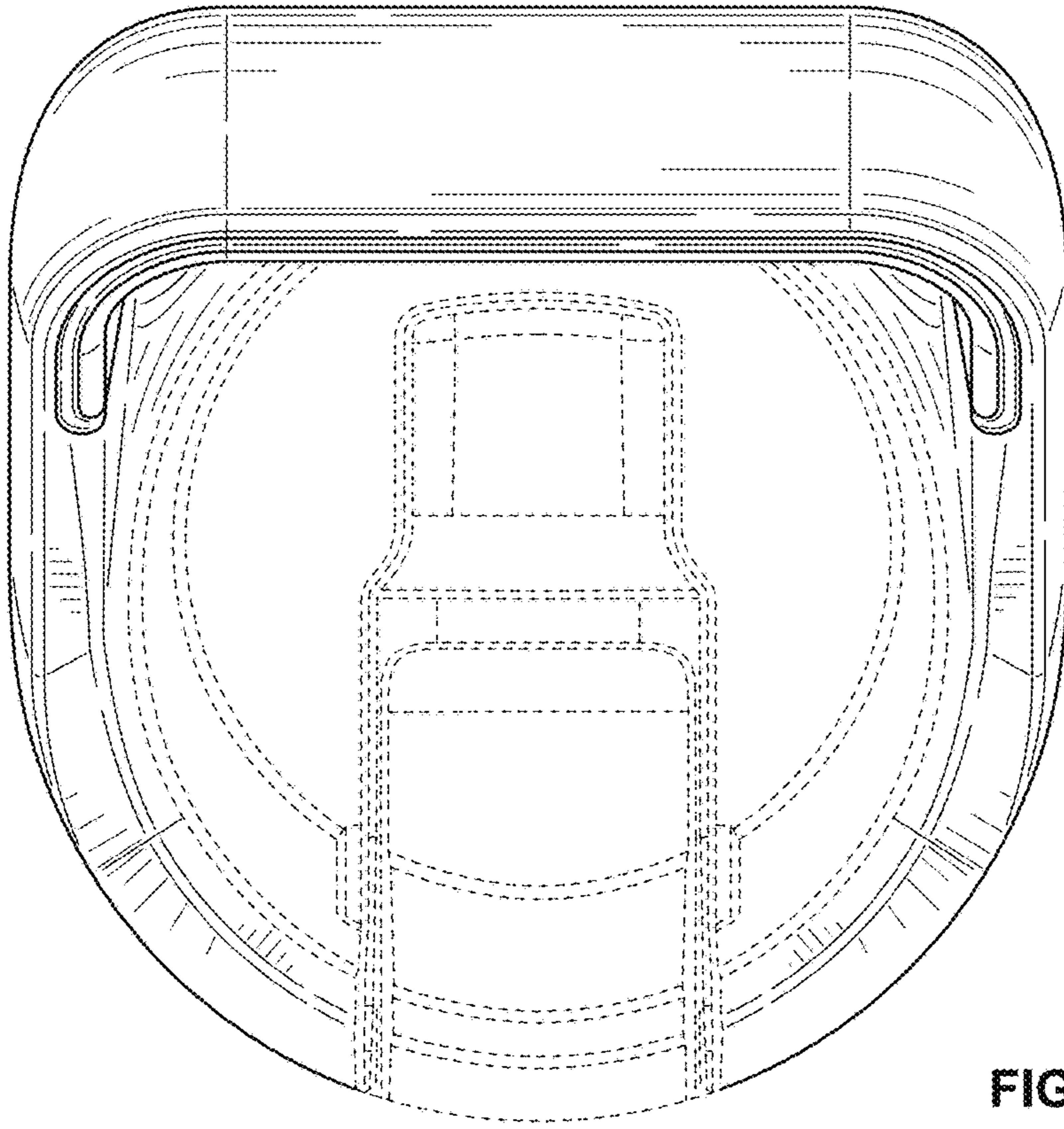


FIG. 13

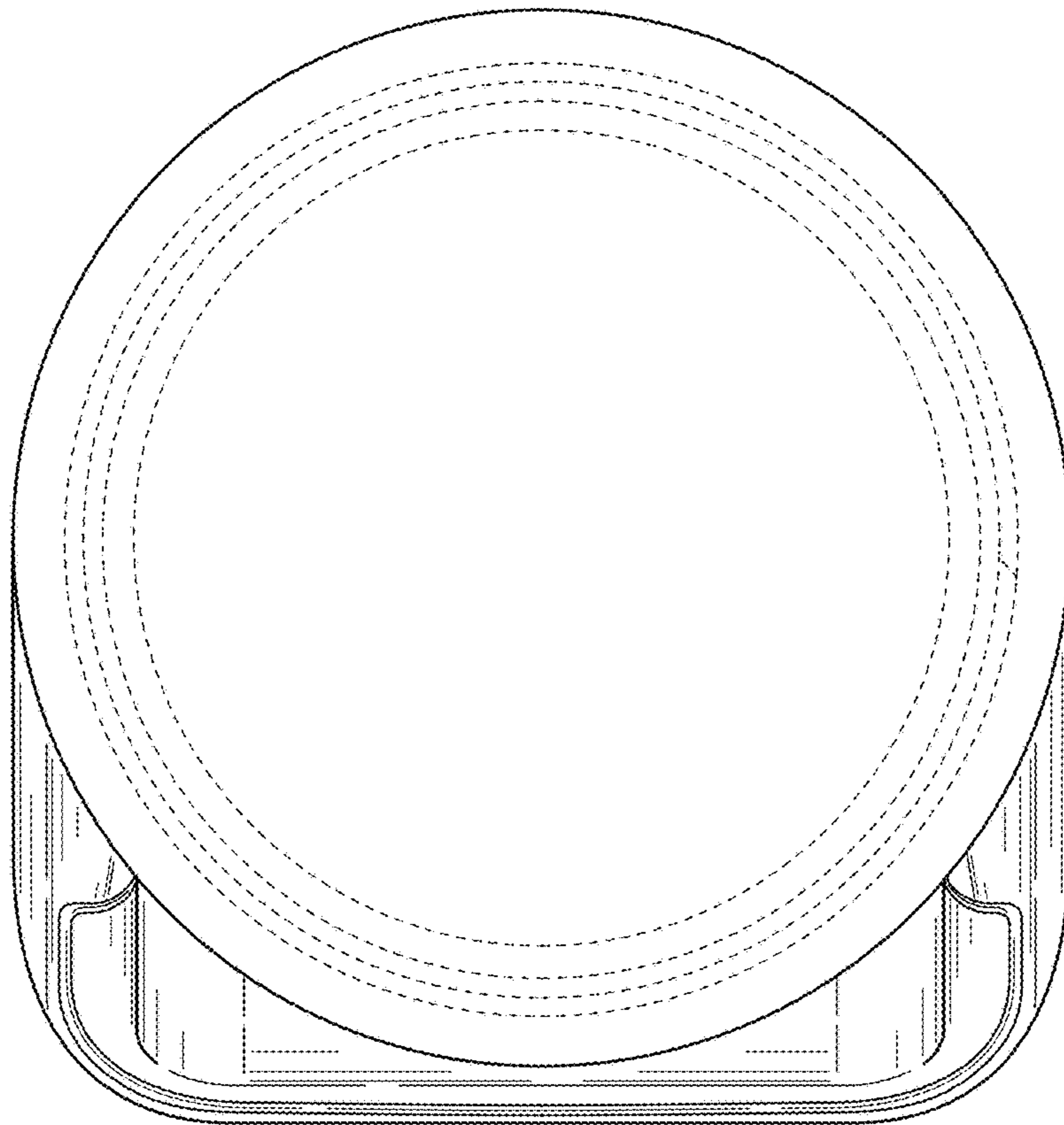


FIG. 14