



US00D808709S

(12) **United States Design Patent**
Tyson

(10) **Patent No.:** **US D808,709 S**
(45) **Date of Patent:** **** Jan. 30, 2018**

(54) **COLLAPSIBLE POT WITH REMOVABLE LID**

- (71) Applicant: **Sea to Summit Pty Ltd**, East Perth, WA (US)
- (72) Inventor: **Roland Wesley Tyson**, East Perth (AU)
- (73) Assignee: **SEA TO SUMMIT PTY LTD**, East Perth (AU)
- (**) Term: **15 Years**
- (21) Appl. No.: **29/532,297**
- (22) Filed: **Jul. 5, 2015**

(30) **Foreign Application Priority Data**

Jan. 6, 2015 (CN) 2015 3 0002992

(51) **LOC (11) Cl.** **07-02**

(52) **U.S. Cl.**
USPC **D7/360**

(58) **Field of Classification Search**

USPC D3/272, 273, 302, 304, 309, 310, 313, D3/315, 319, 901, 903, 904; D6/524, D6/532, 536, 672, 683, 691, 704; D7/323, 354-363, 391, 392.1, 393-396.1, D7/409, 412, 417, 505, 513, 538-545, D7/550.1, 552.1, 553.1, 553.2, 553.7, D7/554.1, 584, 586, 600.1, 601, 602, D7/611-615, 629, 698, 704; D9/414,

(Continued)

(56) **References Cited**

U.S. PATENT DOCUMENTS

D134,877 S * 1/1943 Schnieder D7/360
D212,704 S * 11/1968 Benes D7/360

(Continued)

OTHER PUBLICATIONS

Sea to Summit Collapsible Dinnerware: Announced Feb. 29, 2016 [online], site visited Oct. 13, 2016. Available from Internet URL: <http://www.seatosummit.com/product/?item=X-Set+31&o1=0&o2=0&o3=584-32>.*

(Continued)

Primary Examiner — Thomas Johannes

Assistant Examiner — Catherine S Posthauer

(74) *Attorney, Agent, or Firm* — Edell, Shapiro & Finnan, LLC

(57) **CLAIM**

The ornamental design for a collapsible pot with removable lid, as shown and described.

DESCRIPTION

FIG. 1 is a top plan view of a collapsible pot with removable lid showing a first embodiment of my new design;

FIG. 2 is a bottom plan view thereof;

FIG. 3 is a front elevation view thereof;

FIG. 4 is a side elevation view thereof;

FIG. 5 is a top perspective view thereof with the lid attachments in an open position of use;

FIG. 6 is a top perspective view thereof with the lid attachments in a closed position of use;

FIG. 7 is a top plan view of a collapsible pot with removable lid showing a second embodiment of my new design;

FIG. 8 is a bottom plan view thereof;

FIG. 9 is a front elevation view thereof;

FIG. 10 is a rear elevation view thereof;

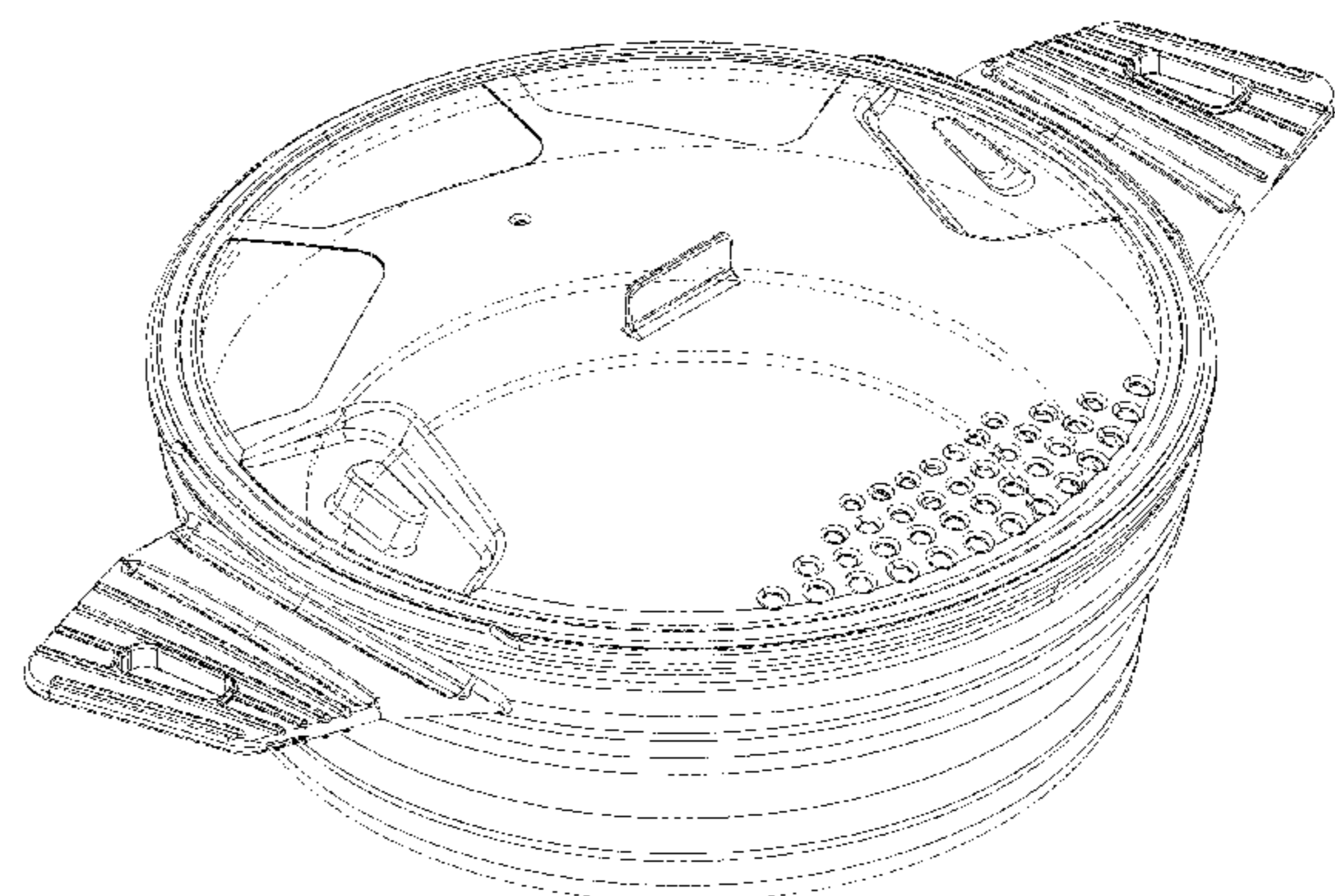
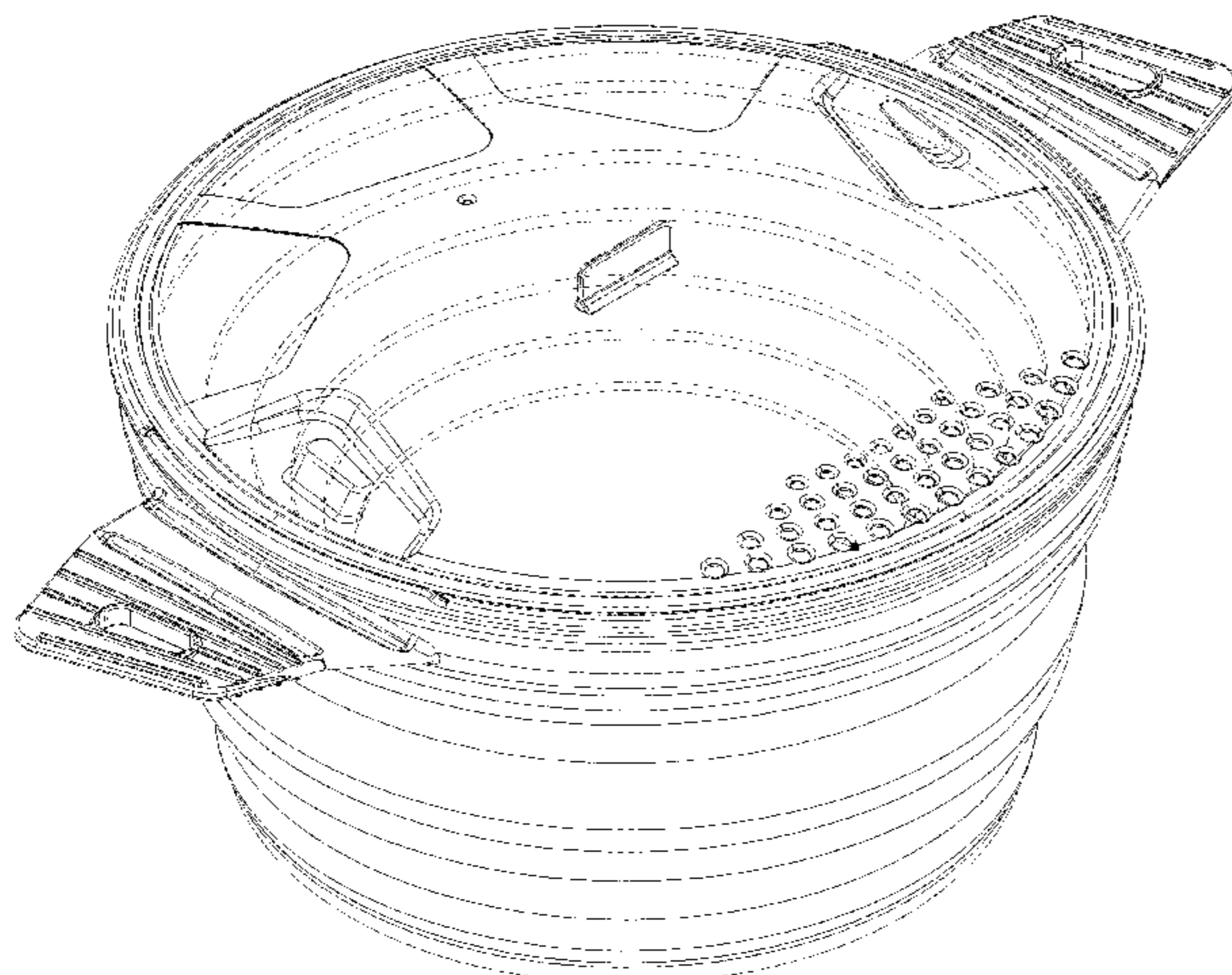
FIG. 11 is a first side elevation view thereof;

FIG. 12 is a second side elevation view thereof; and,

FIG. 13 is a top perspective view thereof.

The broken lines in the figures are shown for the purpose of illustrating parts of the article that form no part of the claimed design.

1 Claim, 13 Drawing Sheets



(58) **Field of Classification Search**

USPC D9/430-434, 455, 456, 499; D19/103;
 D24/224, 227, 228, 229, 230; D99/324,
 D99/331, 339-340, 403, 425-426,
 D99/444-445; 126/373.1, 383.1-384.1,
 126/390.1; 219/438-439, 620-622
 CPC A47J 9/00; A47J 27/00; A47J 27/10; A47J
 27/002; A47J 27/08; A47J 27/21; A47J
 27/58; A47J 37/00; A47J 37/01; A47J
 37/04; A47J 37/06; A47J 37/10; A47J
 37/12; A47J 37/101; A47J 37/103; A47J
 37/108; A47J 37/1204; A47J 43/00; B65D
 1/243; B65D 2501/24019; B65D
 2501/24165; B65D 2501/24152; B65D
 11/18; B65D 85/30; B65D 85/32; B65B
 1/04

See application file for complete search history.

(56) **References Cited**

U.S. PATENT DOCUMENTS

D275,361 S * 9/1984 Manos D7/357
 D332,721 S * 1/1993 Jauhal D7/354
 D434,266 S * 11/2000 Dobson D7/354
 D435,393 S * 12/2000 Jo D7/360
 D458,507 S * 6/2002 Meelen D7/317

D483,217 S * 12/2003 Lara D7/357
 D498,389 S * 11/2004 Tollman D7/538
 7,111,546 B2 * 9/2006 Siegel A47J 43/24
 34/194
 D549,041 S * 8/2007 Kellermann D7/354
 D557,972 S * 12/2007 Ablo D7/354
 D609,523 S * 2/2010 Mai D7/354
 D618,490 S * 6/2010 Li D7/354
 D625,149 S * 10/2010 Stamper D7/538
 D673,806 S * 1/2013 Upston D7/354
 D683,179 S * 5/2013 Coursey D7/354
 D702,991 S * 4/2014 Roussard D7/354
 D725,958 S * 4/2015 Karako D7/354
 D731,232 S * 6/2015 Verkaik D7/354
 D734,976 S * 7/2015 Quinn D7/354
 D744,273 S * 12/2015 Barrows D7/323
 D749,891 S * 2/2016 Pujols D7/354
 D756,160 S * 5/2016 Lin D7/354
 2015/0196157 A1 * 7/2015 Swirth A47J 27/13
 220/573.1
 2016/0255984 A1 * 9/2016 Affatato A47J 27/04

OTHER PUBLICATIONS

Sea to Summit Collapsible Dinnerware: Announced Mar. 15, 2016
 [online], site visited Oct. 13, 2016. Available from Internet URL:
[http://www.seatosummit.com/product/?item=X-Set+21&o1=0
 &o2=0&o3=583-22.*](http://www.seatosummit.com/product/?item=X-Set+21&o1=0&o2=0&o3=583-22.*)

* cited by examiner

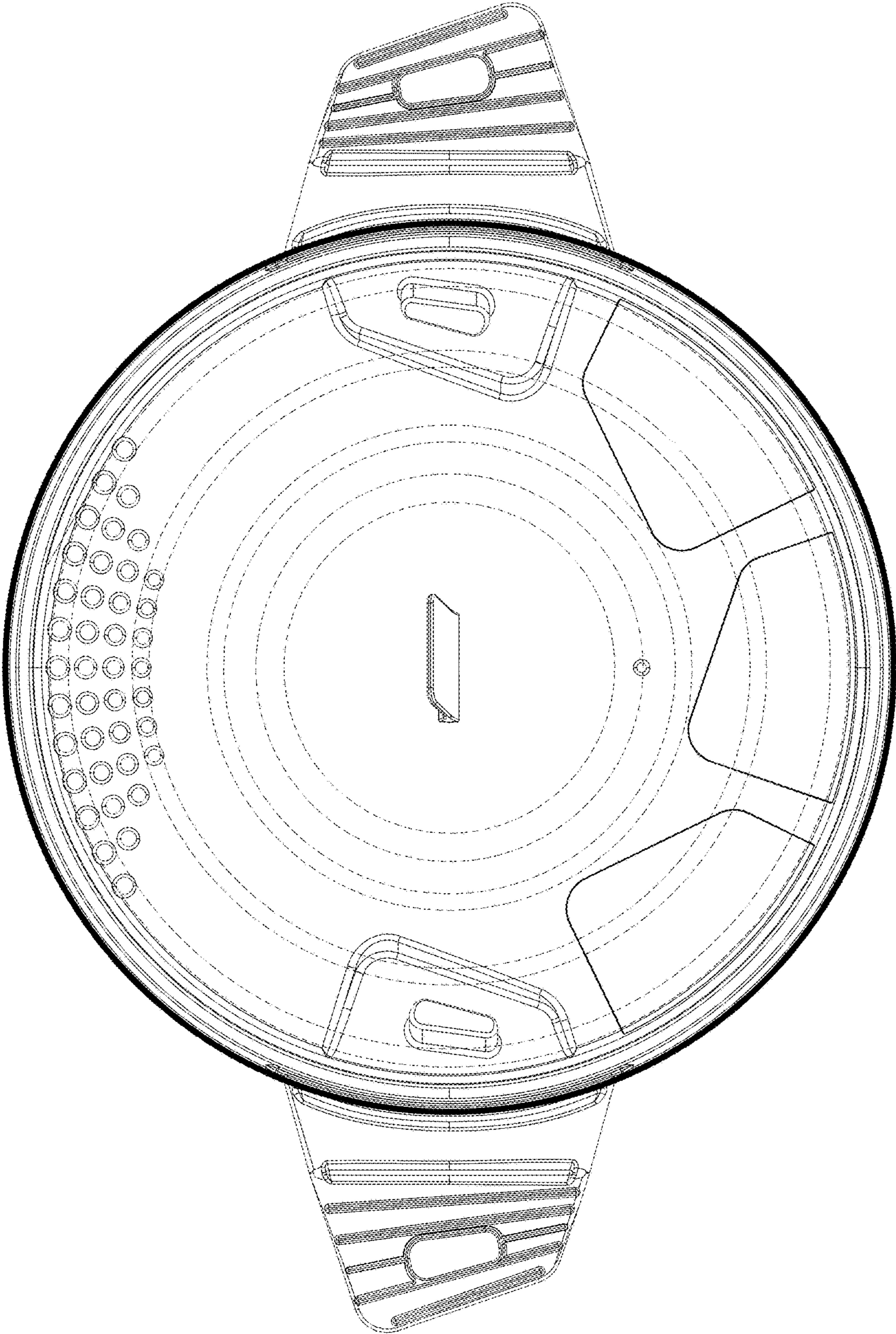


FIG.1

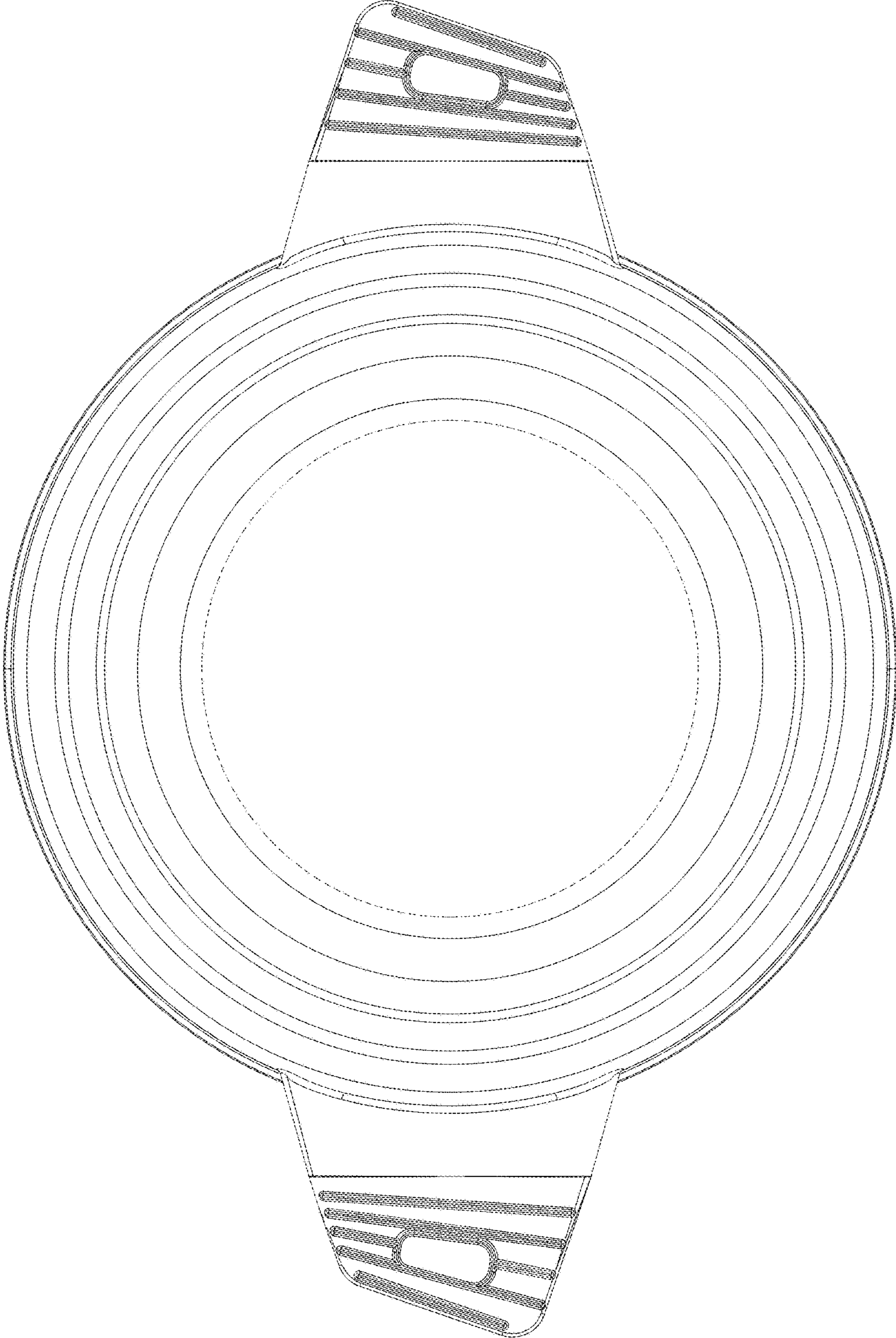


FIG.2

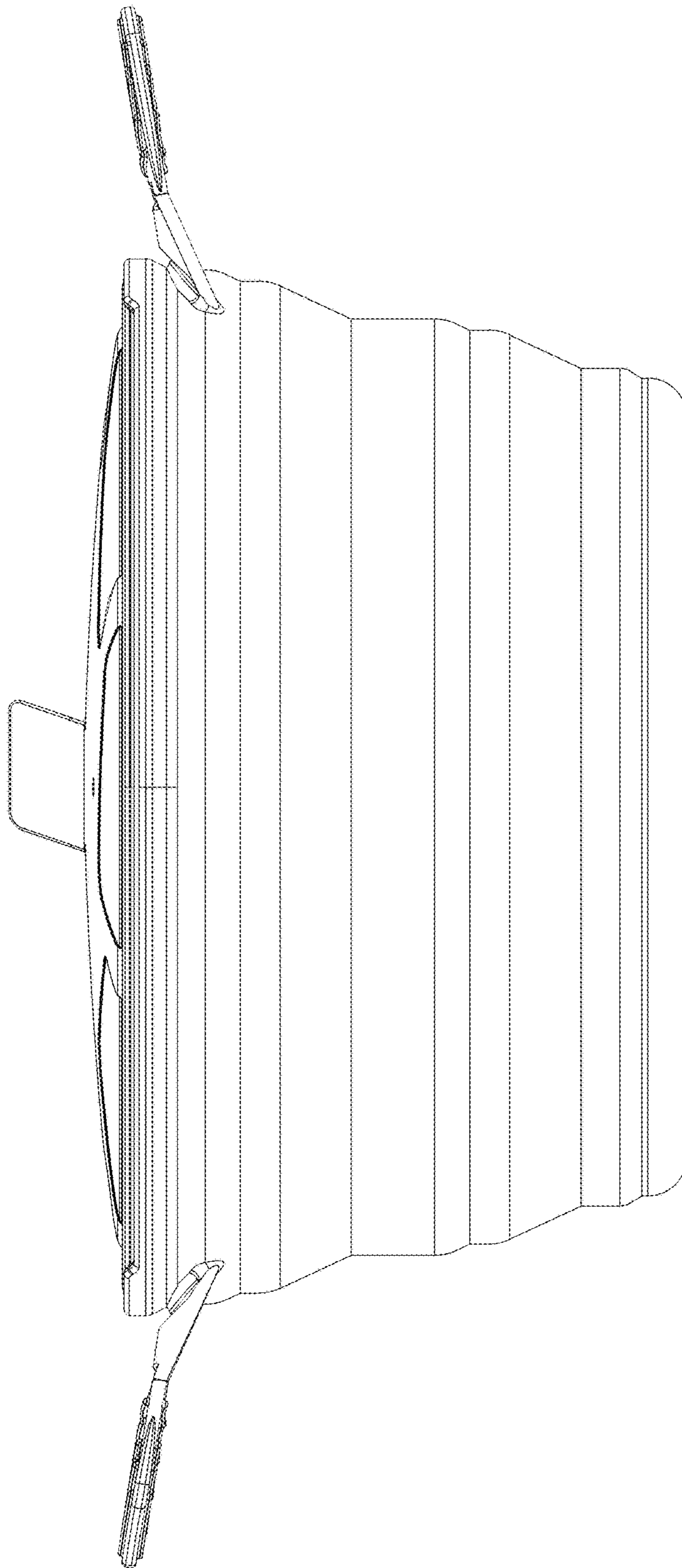


FIG.3

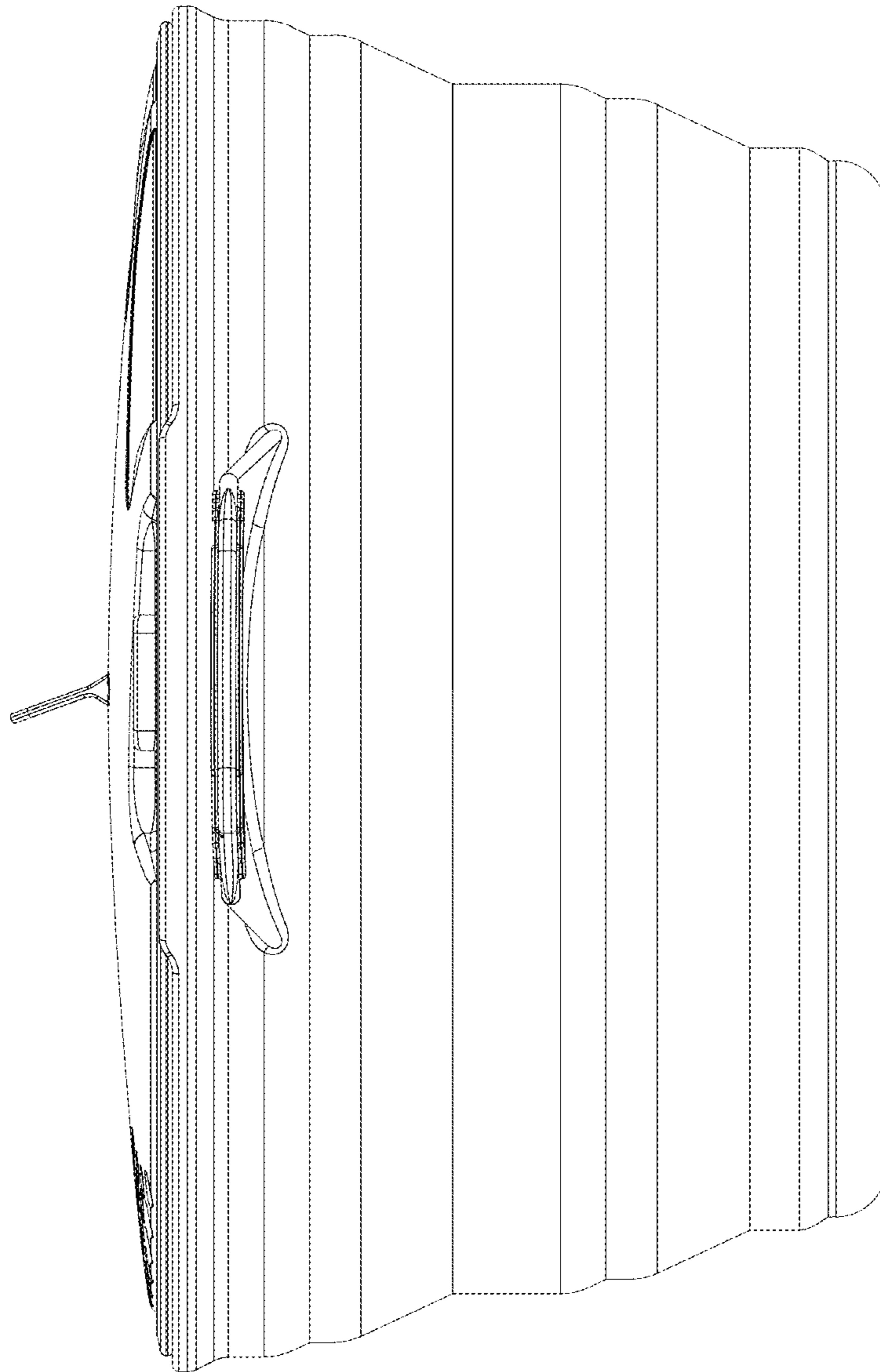


FIG.4

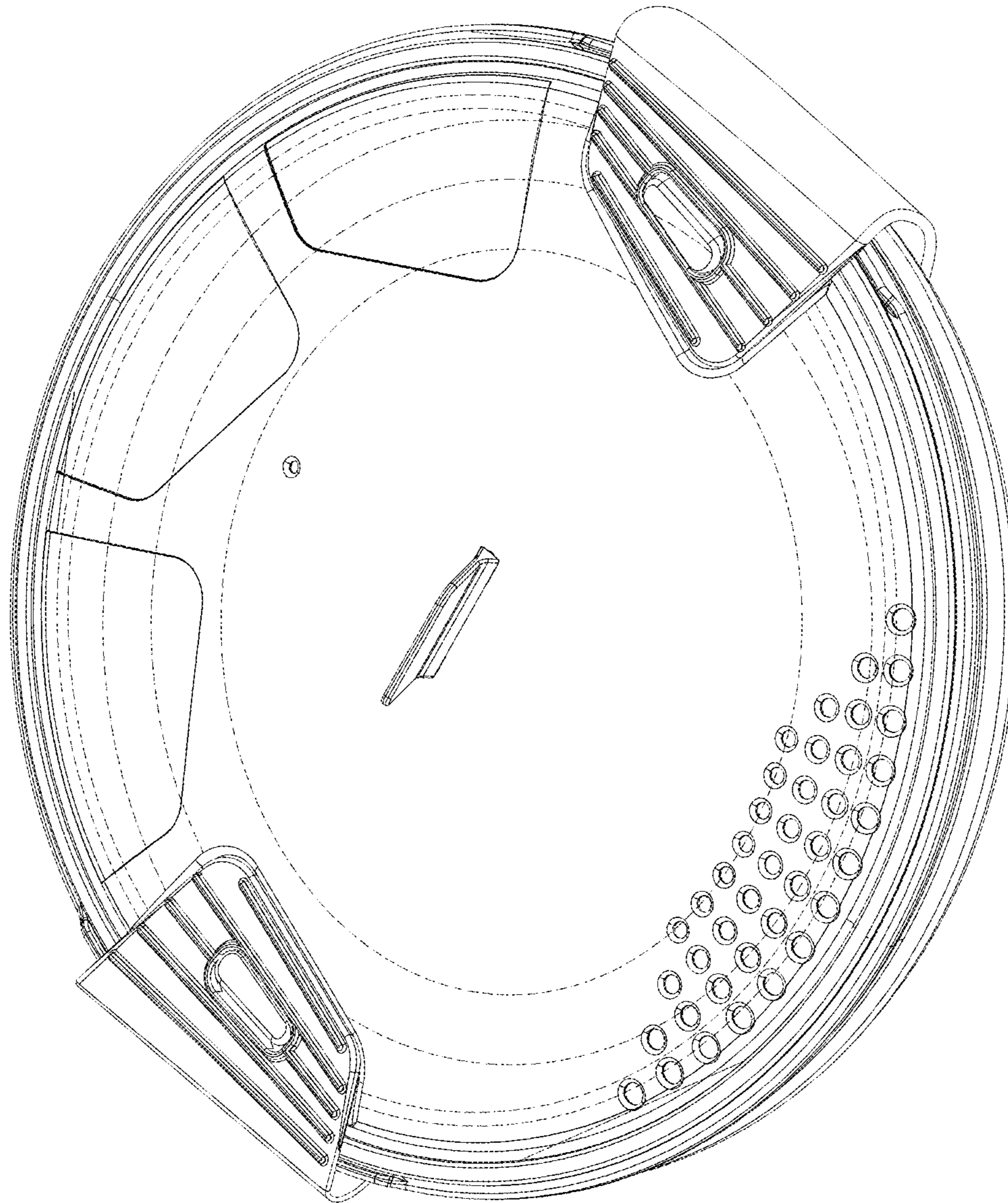


FIG.5

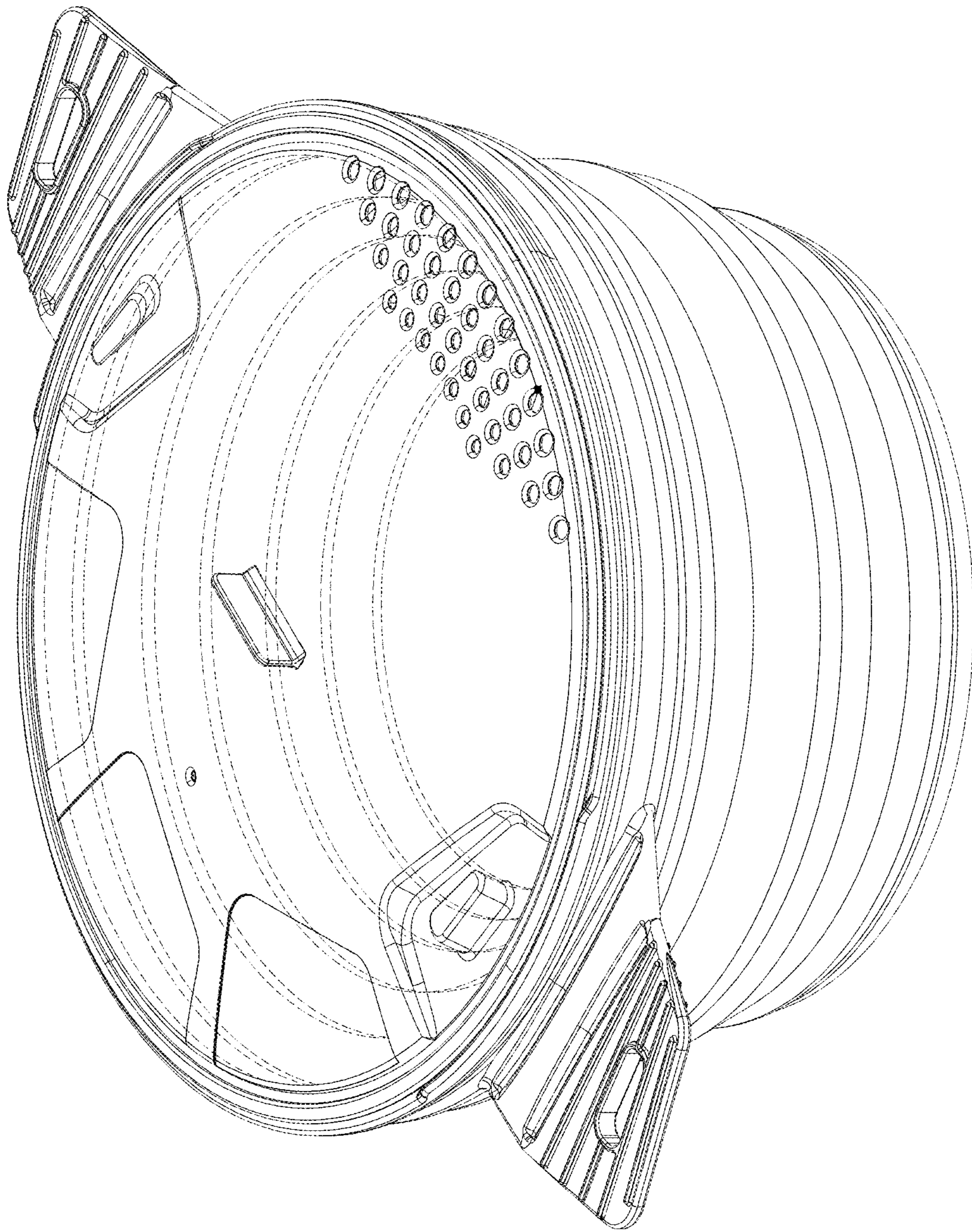


FIG.6

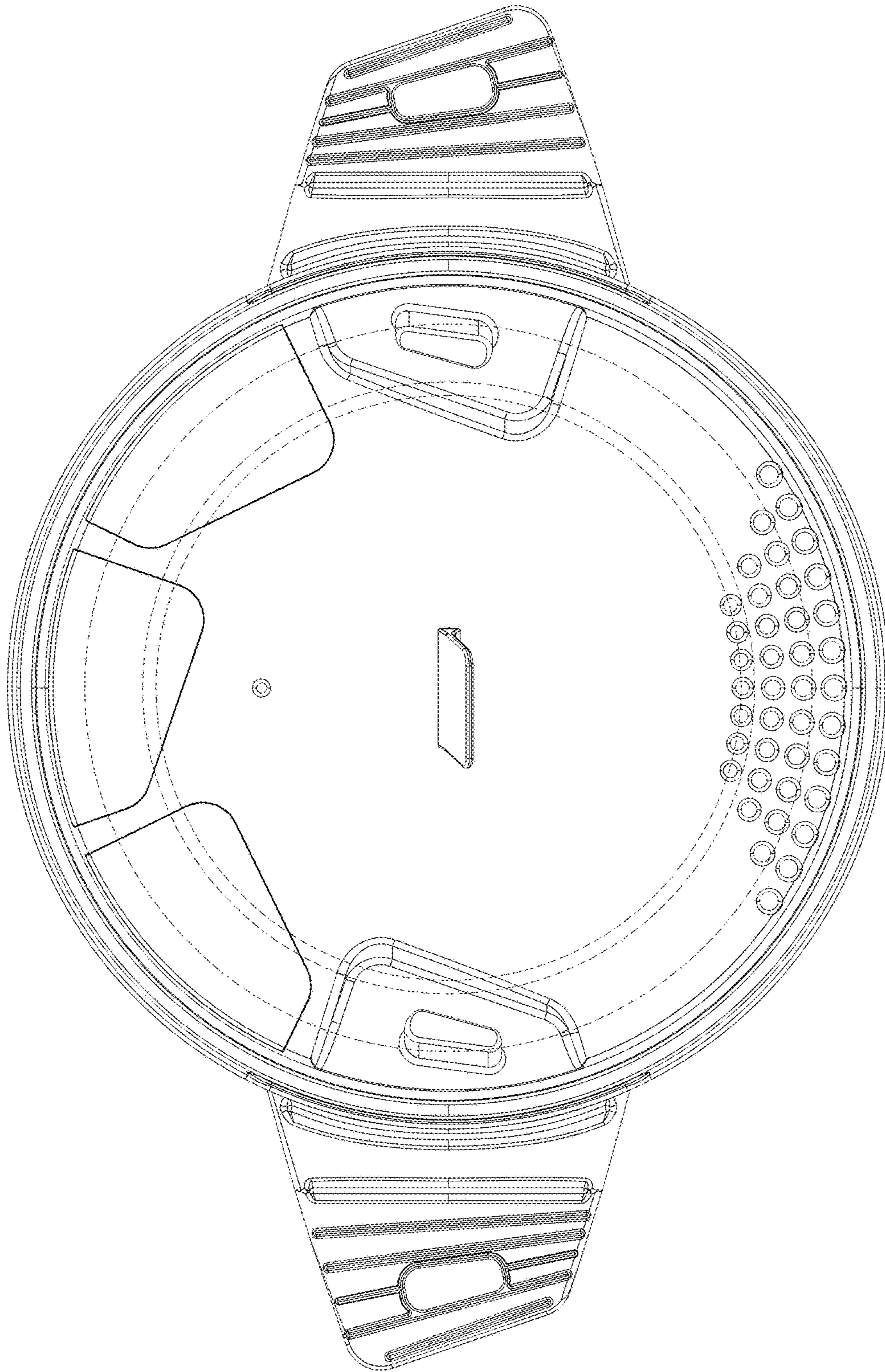


FIG.7

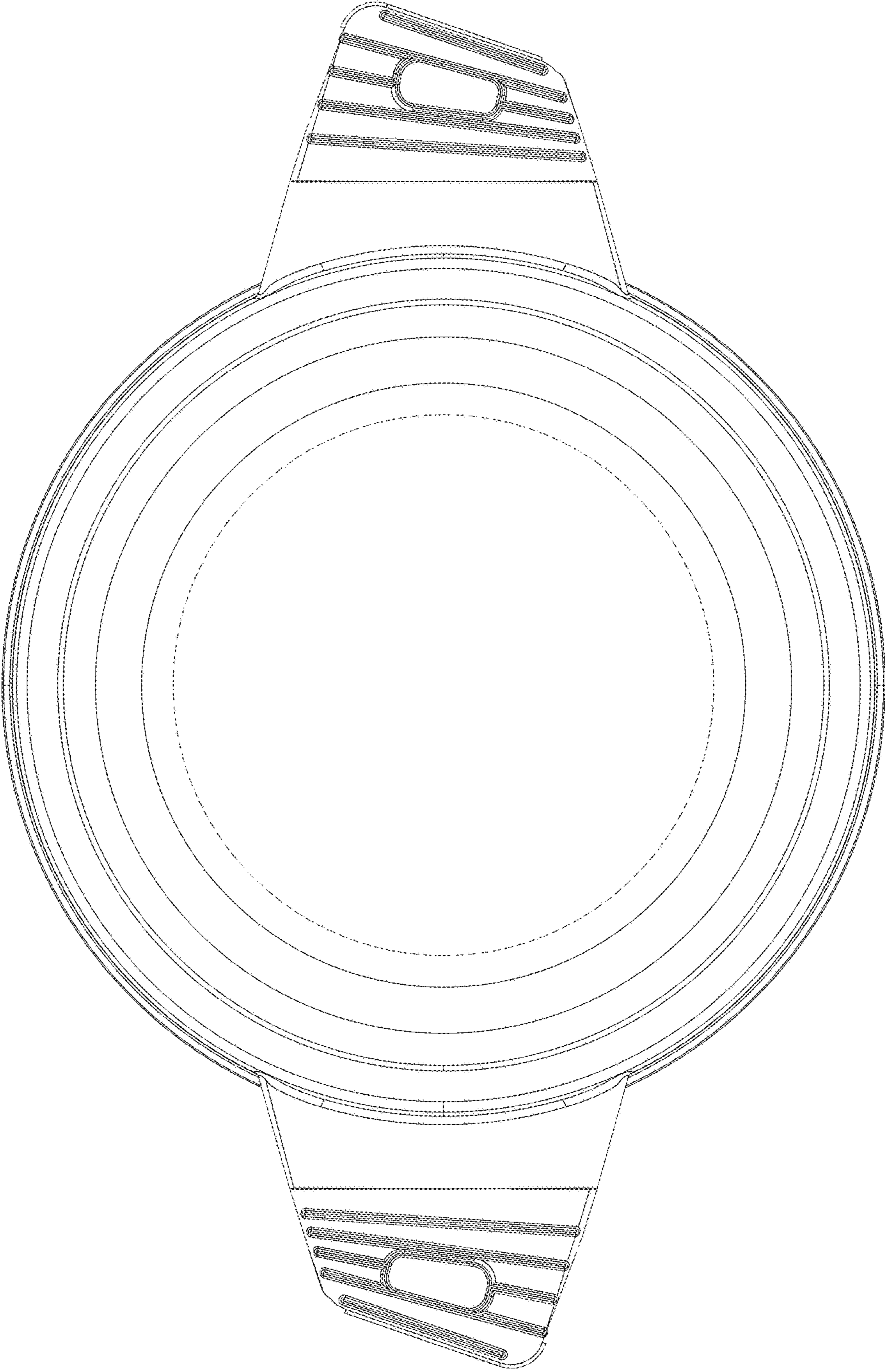


FIG.8

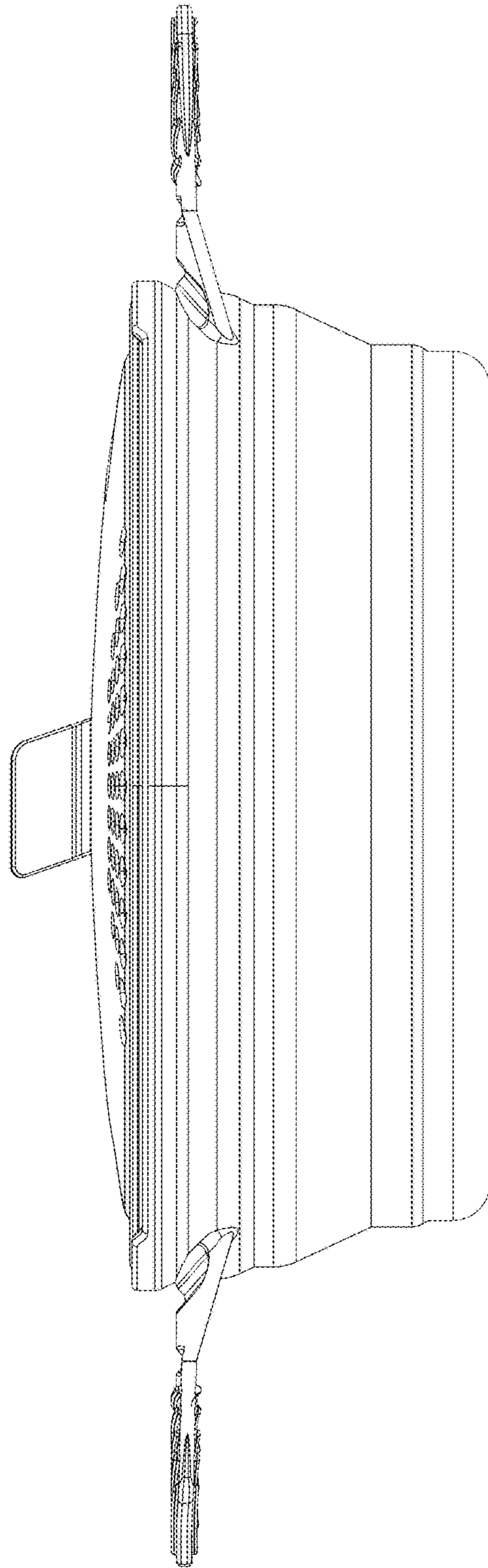


FIG.9

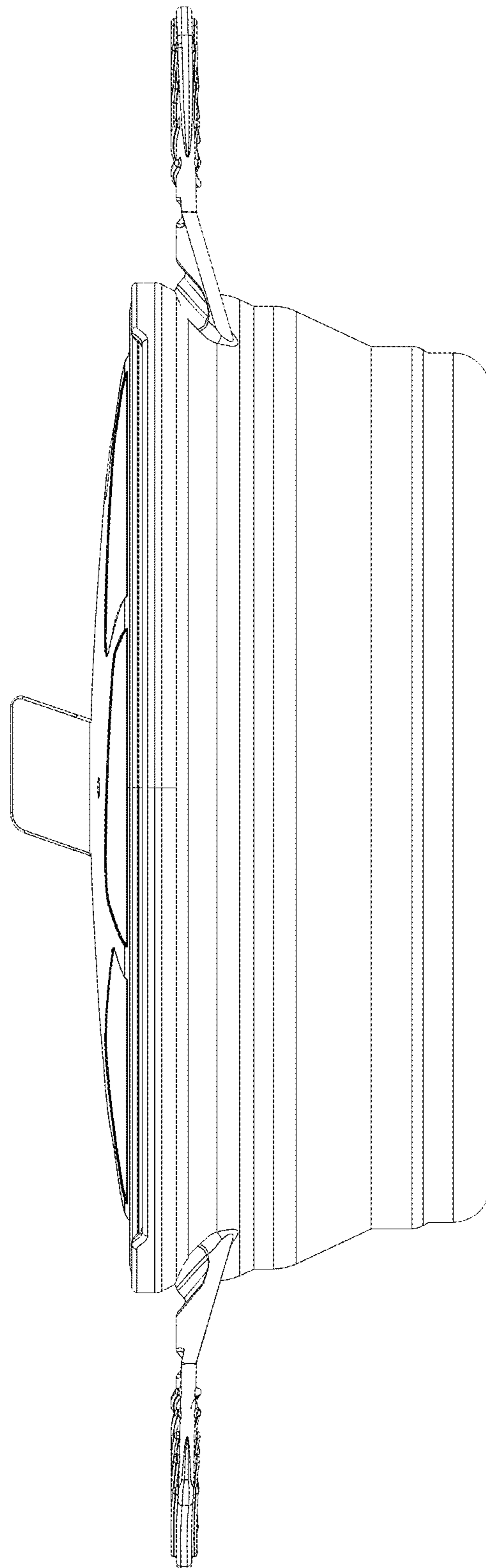


FIG.10

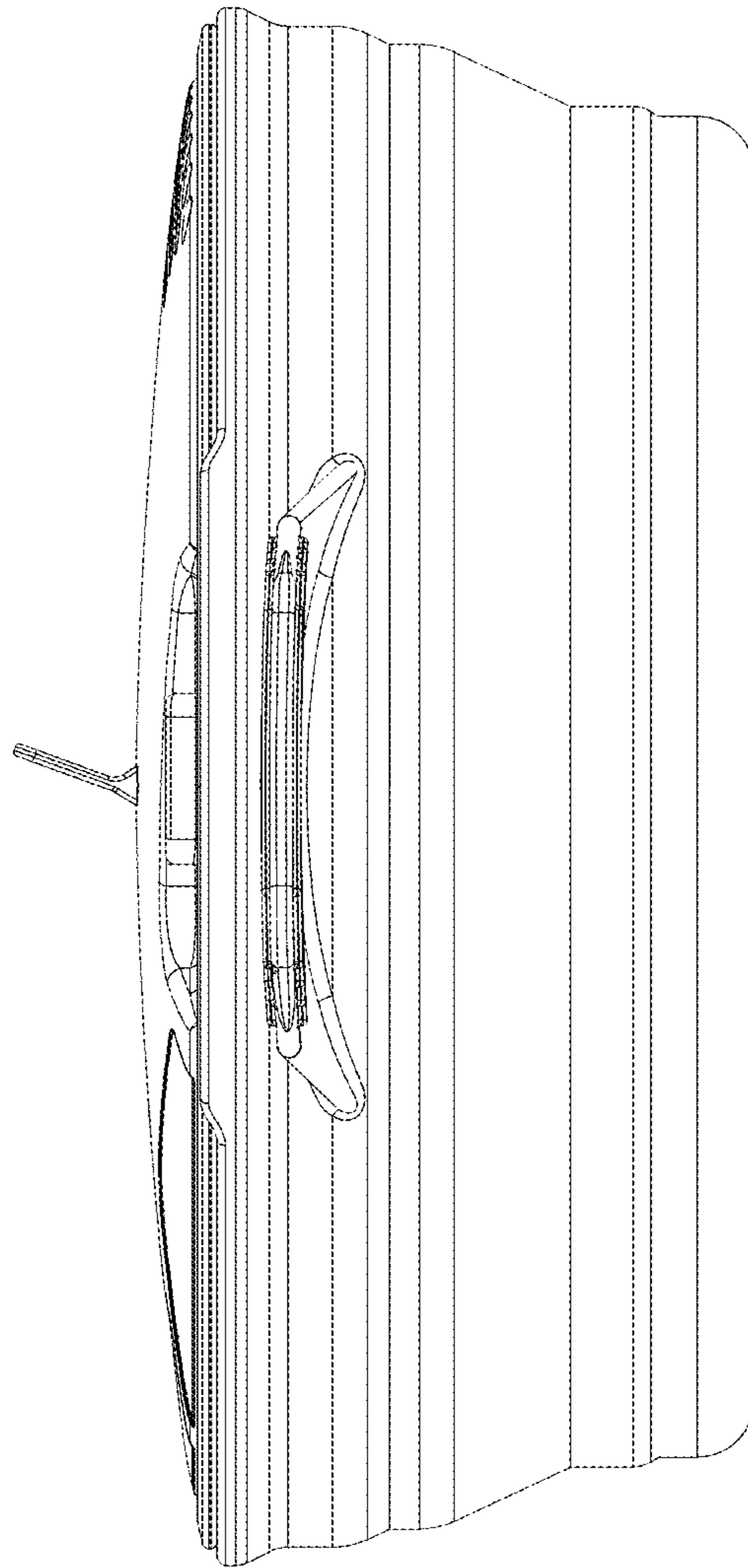


FIG.11

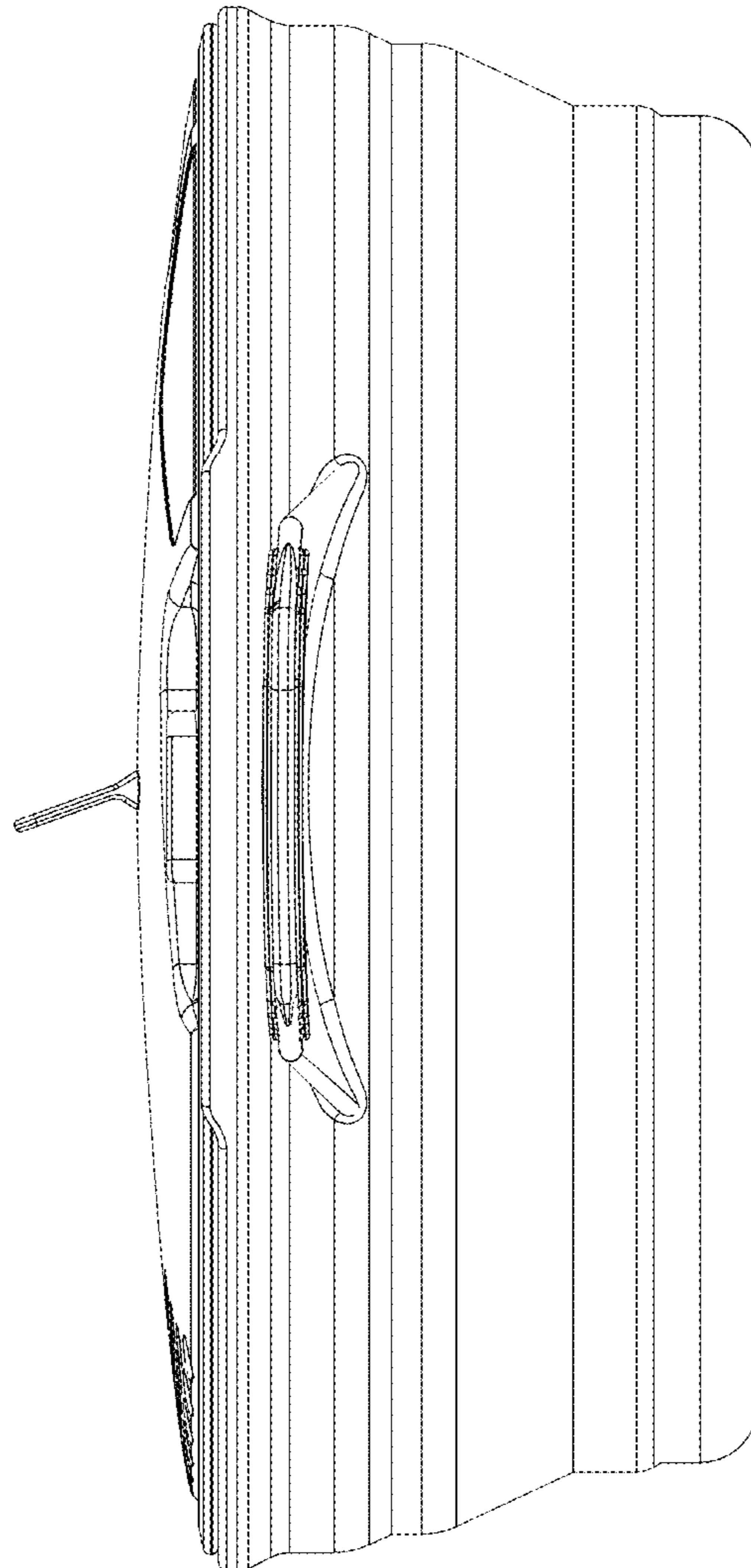


FIG.12

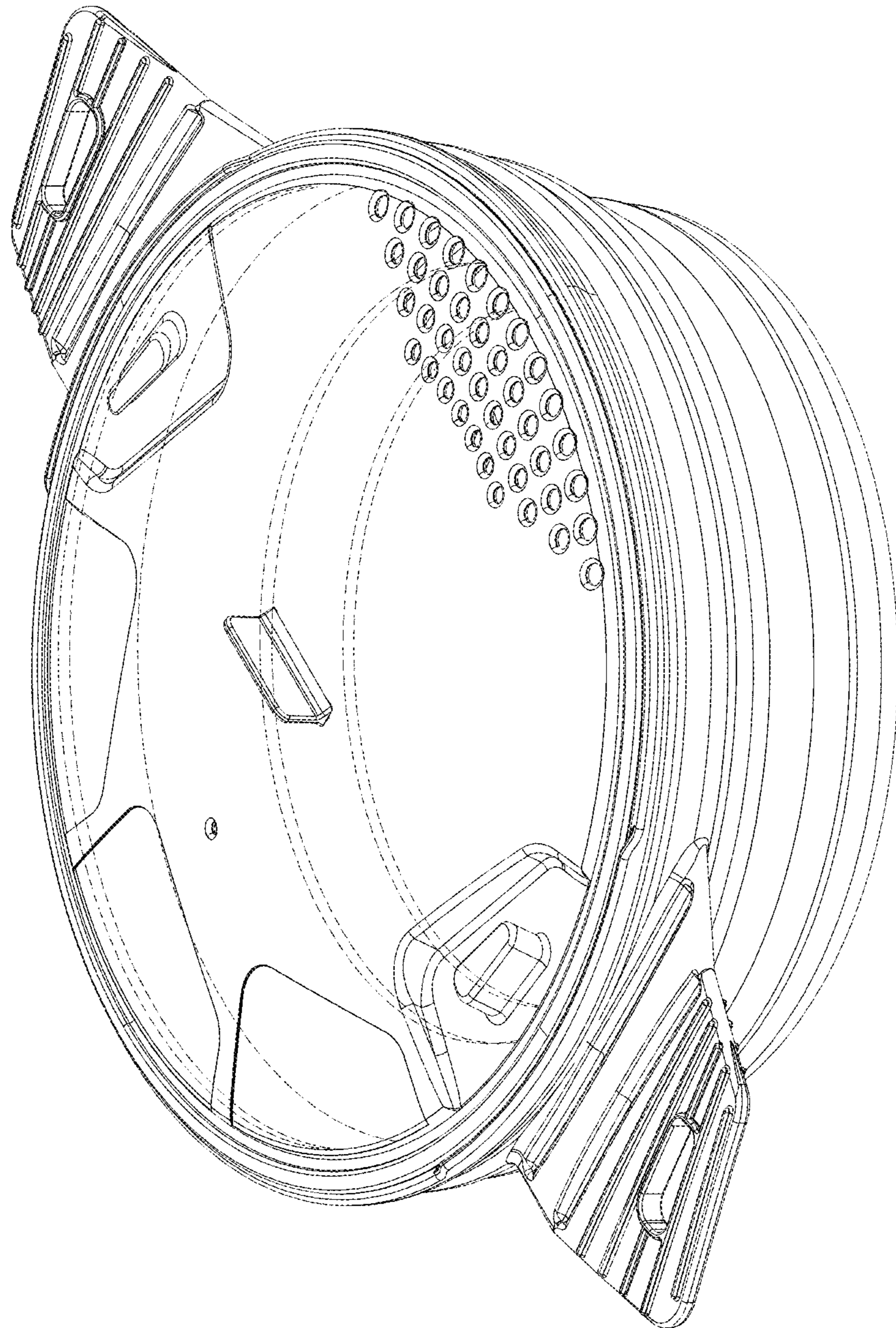


FIG.13