



US00D808708S

(12) **United States Design Patent**  
**Joseph**

(10) **Patent No.:** **US D808,708 S**  
(45) **Date of Patent:** **\*\* Jan. 30, 2018**

(54) **EGG POACHER**  
(71) Applicant: **Joseph Joseph LTD.**, London (GB)  
(72) Inventor: **Antony Joseph**, London (GB)  
(73) Assignee: **JOSEPH JOSEPH LTD.**, London (GB)  
(\*\*) Term: **15 Years**  
(21) Appl. No.: **29/540,930**  
(22) Filed: **Sep. 29, 2015**

(30) **Foreign Application Priority Data**  
Apr. 10, 2015 (EM) ..... 002678458-0006  
(51) **LOC (11) Cl.** ..... **07-02**  
(52) **U.S. Cl.**  
USPC ..... **D7/357**  
(58) **Field of Classification Search**  
USPC .... D3/201, 202, 203.1, 270, 271.1; D6/672, D6/674, 677, 707.15; D7/323, 329-332, D7/337-339, 346-347, 350.1-350.4, D7/353-368, 391, 392.1, 393-398, D7/402-406, 409, 511, 515, 523, 526, D7/530, 531, 534.1, 538, 542, 543, 551, D7/553.1, 553.2, 553.7, 554.1, 554.4, D7/560-566, 584-588, 600.1, 601-615, D7/620, 667, 672-674; D9/414, 418, D9/420, 430, 432; D24/123; D30/129-132; 30/326; 99/279, 324-325, 99/331-332, 337-349, 358, 369-376, 99/380, 389, 400-418, 422-430, 99/444-450, 483  
CPC ..... A47G 19/12; A47J 27/00; A47J 27/002; A47J 27/004; A47J 27/08; A47J 27/21; A47J 27/58; A47J 35/025; A47J 37/00; A47J 37/10; A47J 37/101; A47J 37/103; A47J 37/1204; A47J 37/0704; A47J 45/061; A47J 45/065; A47J 45/071; A47J 45/08; A47J 29/00; A47J 29/02; A47J

29/04; A47J 29/06; A47J 36/025; H05B 6/06; H05B 6/12; A01K 41/02; A01K 41/026; A01K

(Continued)

(56) **References Cited**

**U.S. PATENT DOCUMENTS**

D314,315 S \* 2/1991 Darnell ..... D7/667  
D334,119 S \* 3/1993 Giugiaro ..... D7/667

(Continued)

**OTHER PUBLICATIONS**

Top 10 Best Microwave Egg Poachers: Announced Jun. 2016 [online], site visited Dec. 18, 2016]. Available from Internet URL: <https://www.alltoptenbest.com/home-kitchens/top-10-best-microwave-egg-poacher-reviews/>.\*

*Primary Examiner* — Barbara Fox  
*Assistant Examiner* — Catherine S Posthauer  
(74) *Attorney, Agent, or Firm* — Millen, White, Zelano & Branigan, P.C.

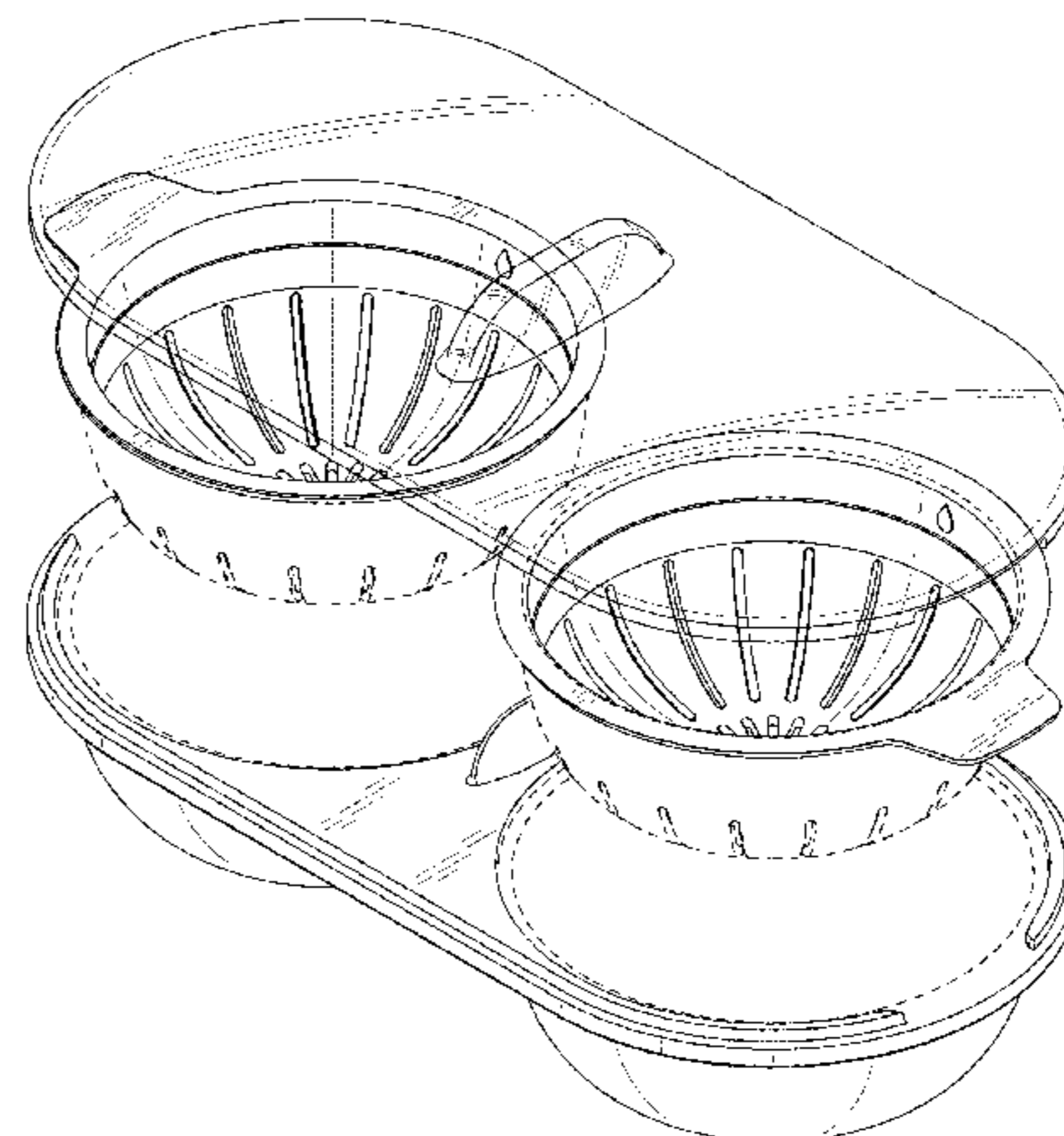
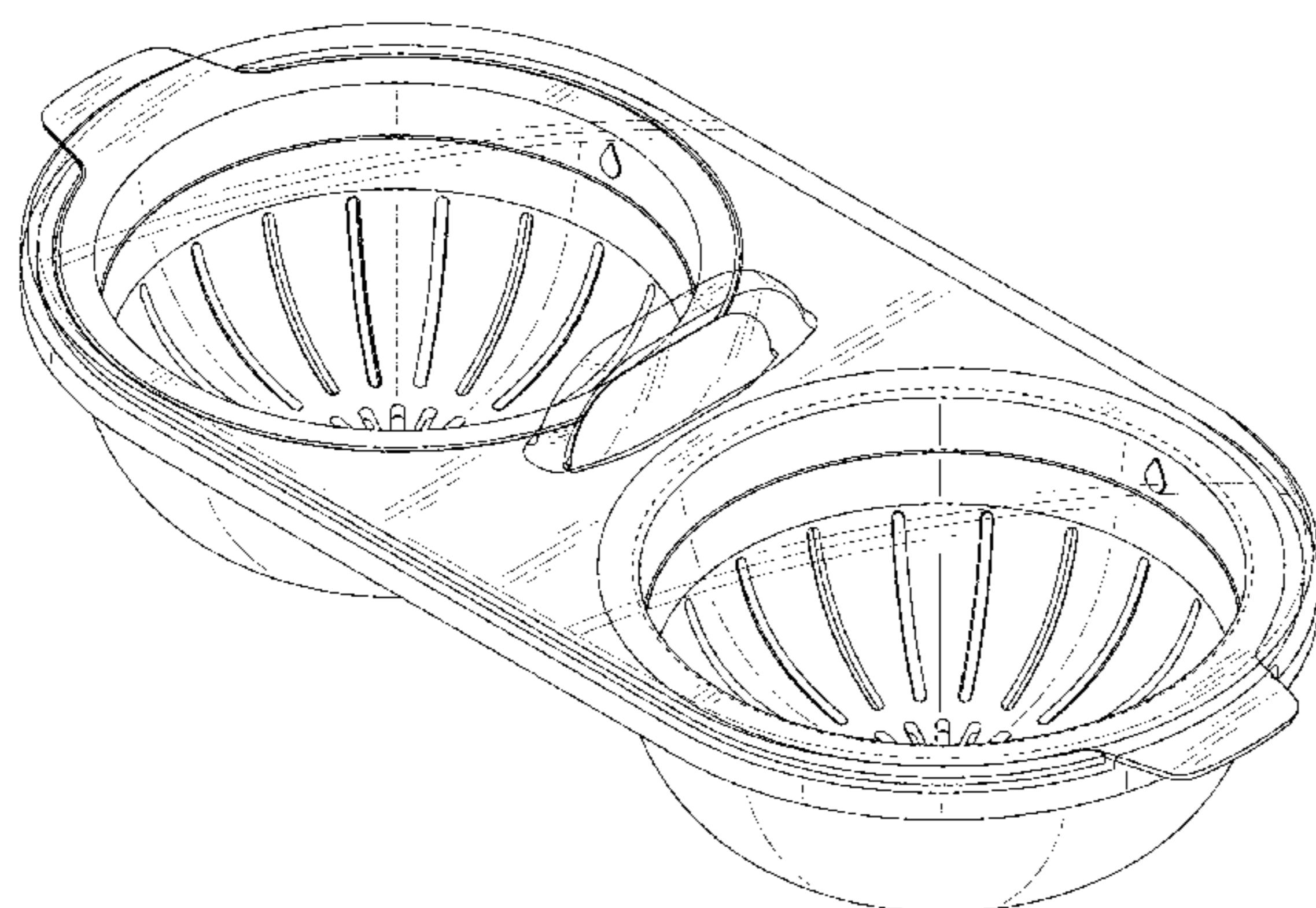
(57) **CLAIM**

The ornamental design for an egg poacher, as shown and described.

**DESCRIPTION**

FIG. 1 is a top perspective view of the egg poacher showing my new design.  
FIG. 2 is a bottom perspective view thereof.  
FIG. 3 is a side view thereof.  
FIG. 4 is another side view thereof.  
FIG. 5 is a top view thereof.  
FIG. 6 is a bottom view thereof.  
FIG. 7 is a top perspective exploded view thereof.  
FIG. 8 is a bottom perspective exploded view thereof; and,  
FIG. 9 is a side exploded view thereof.

(Continued)



The broken lines in the drawings illustrate portions of the egg poacher which form no part of the claimed design.

**1 Claim, 9 Drawing Sheets**

**(58) Field of Classification Search**

CPC ..... 41/04; A23B 5/00; A23B 5/005; A23B 5/0052; B65D 11/02

See application file for complete search history.

**(56) References Cited**

U.S. PATENT DOCUMENTS

D348,796 S \* 7/1994 Davis ..... D7/357  
 D352,206 S \* 11/1994 Davis ..... D7/357  
 5,385,085 A \* 1/1995 Piane, Sr. .... A47J 37/01  
 126/373.1  
 D362,090 S \* 9/1995 Baldwin ..... D30/130

D363,636 S \* 10/1995 Leung ..... D7/323  
 D378,565 S \* 3/1997 Cousins ..... D7/667  
 D379,289 S \* 5/1997 Jeppesen ..... D7/667  
 D381,554 S \* 7/1997 Tichenor ..... D7/354  
 D446,084 S \* 8/2001 Schulein ..... D7/629  
 D460,316 S \* 7/2002 Coudurier ..... D7/360  
 D470,715 S \* 2/2003 Kloppsteck ..... D7/360  
 D471,757 S \* 3/2003 Kitamura ..... D7/356  
 D488,670 S \* 4/2004 Chan ..... D7/357  
 D514,372 S \* 2/2006 Kaposi ..... D7/354  
 D595,998 S \* 7/2009 Hauser ..... D7/672  
 D597,262 S \* 7/2009 Shamoon ..... D30/130  
 D621,668 S \* 8/2010 Zemel ..... D7/672  
 D650,639 S \* 12/2011 Freese ..... D7/620  
 D680,803 S \* 4/2013 Varakian ..... D7/354  
 D685,222 S \* 7/2013 Dang ..... D7/354  
 D685,604 S \* 7/2013 Dang ..... D7/354  
 D696,548 S \* 12/2013 Weskamp ..... D7/354  
 D701,419 S \* 3/2014 Sickels ..... D7/361  
 2016/0045052 A1 \* 2/2016 Yu ..... A47J 27/002  
 220/573.4

\* cited by examiner

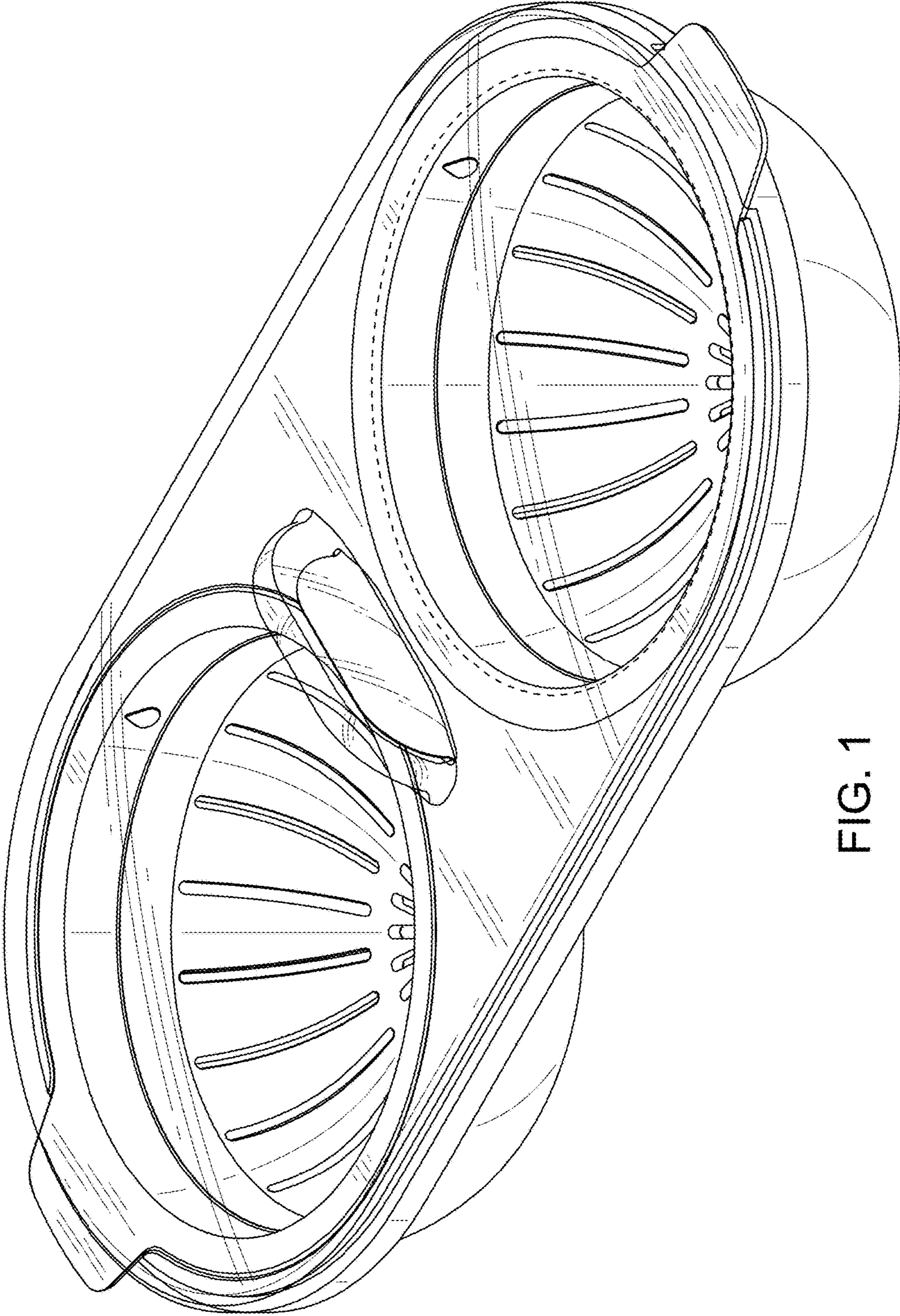


FIG. 1

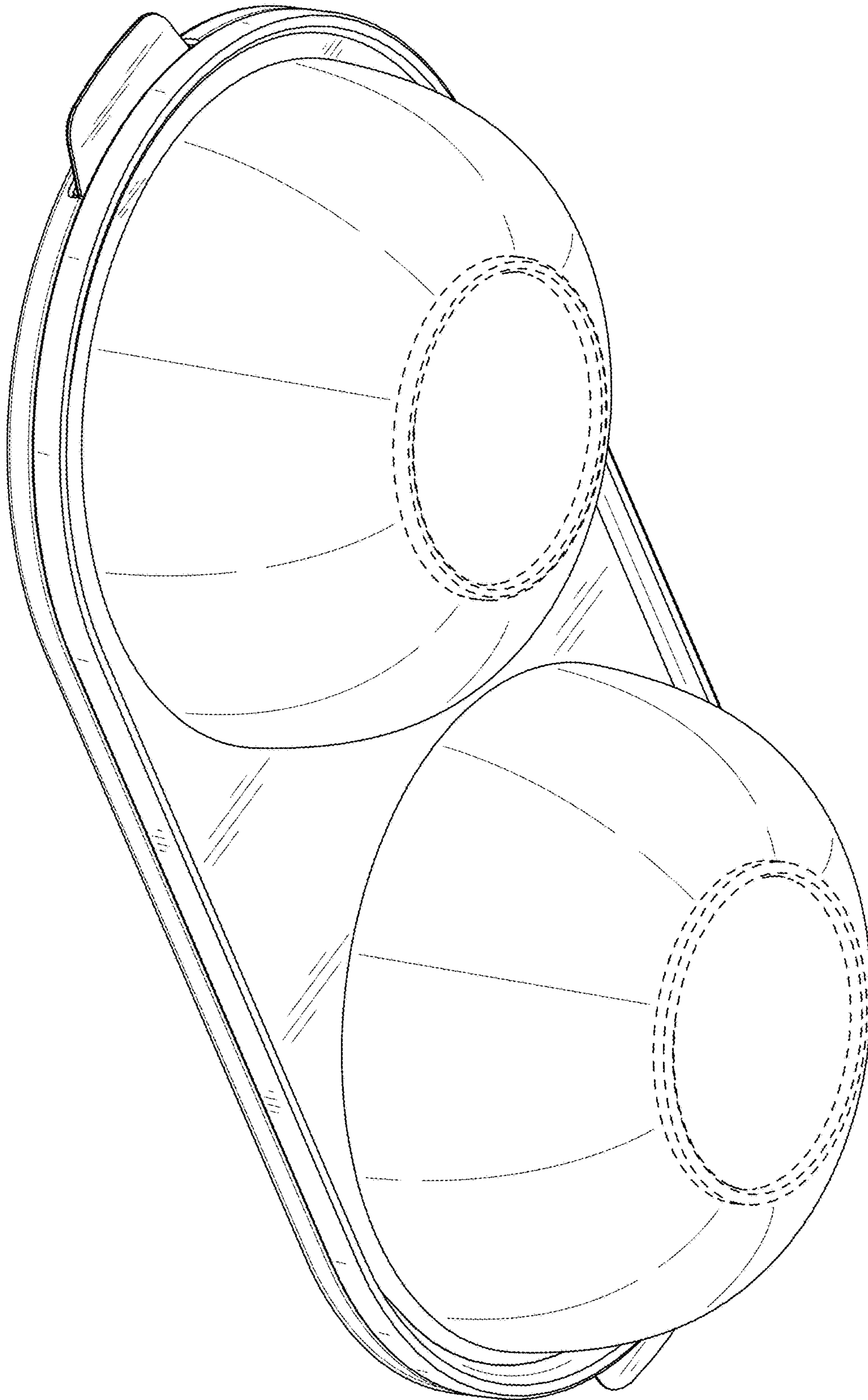


FIG. 2

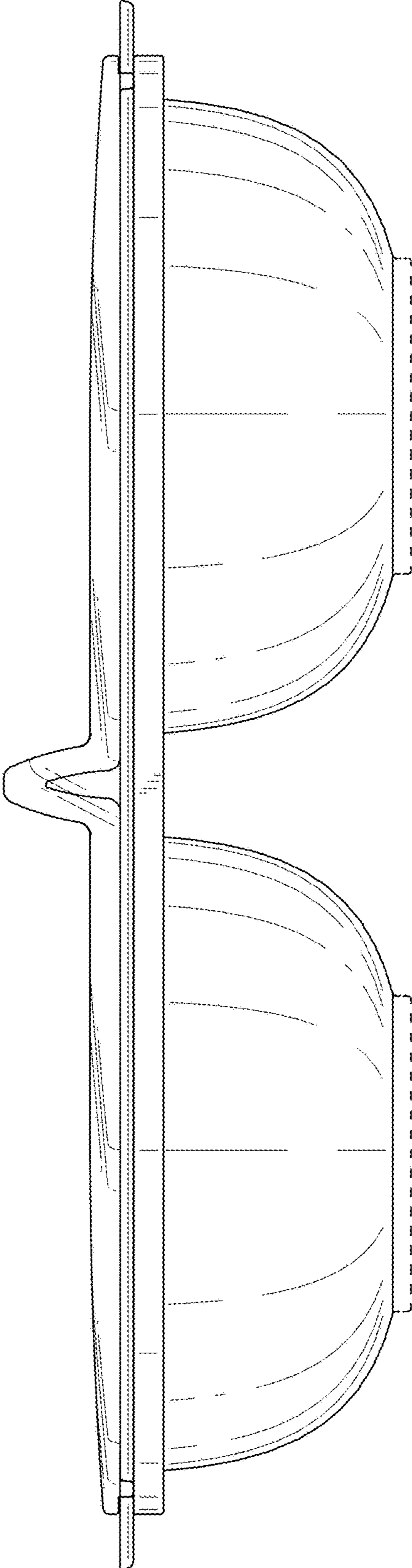


FIG. 3

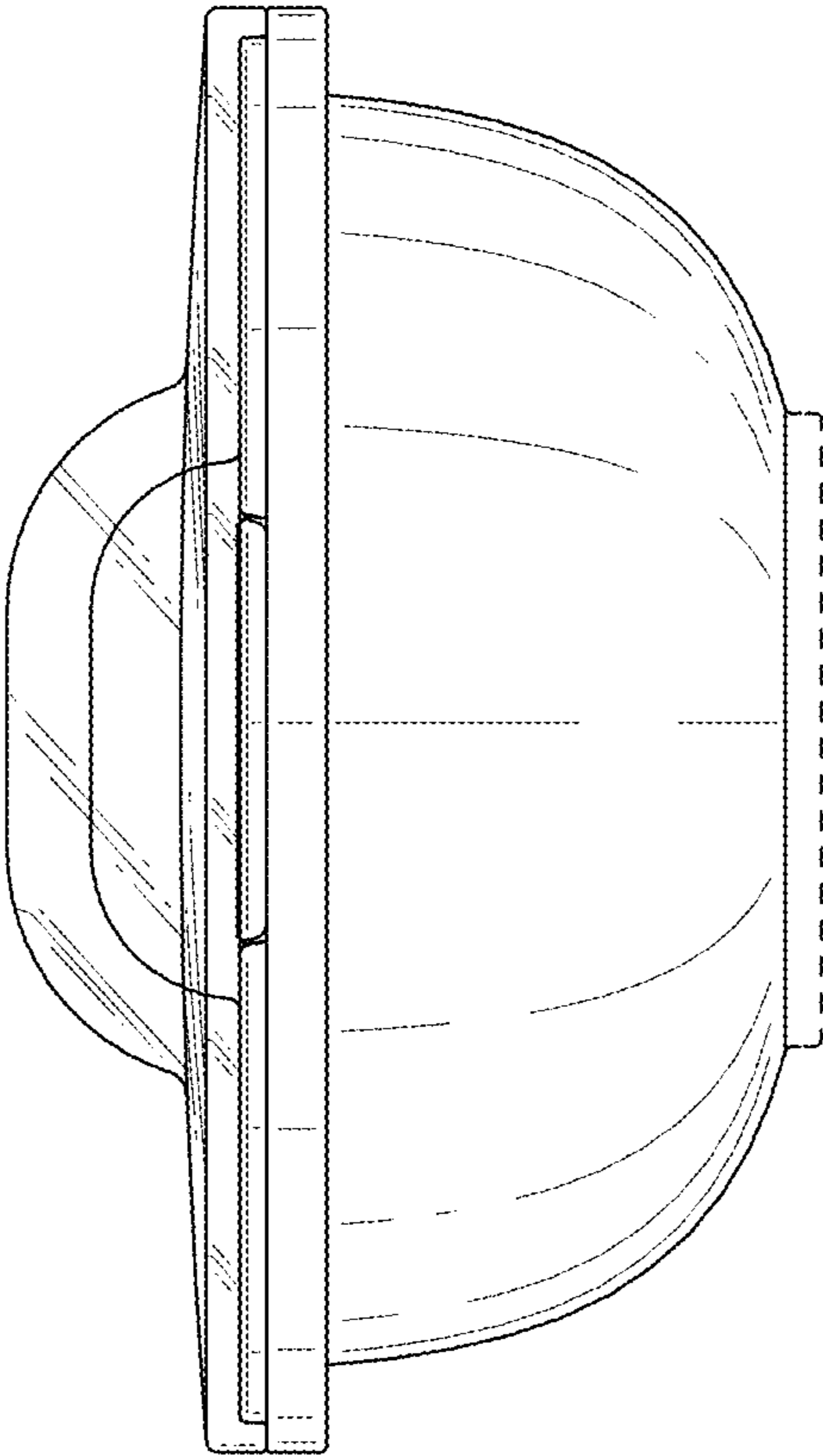


FIG. 4

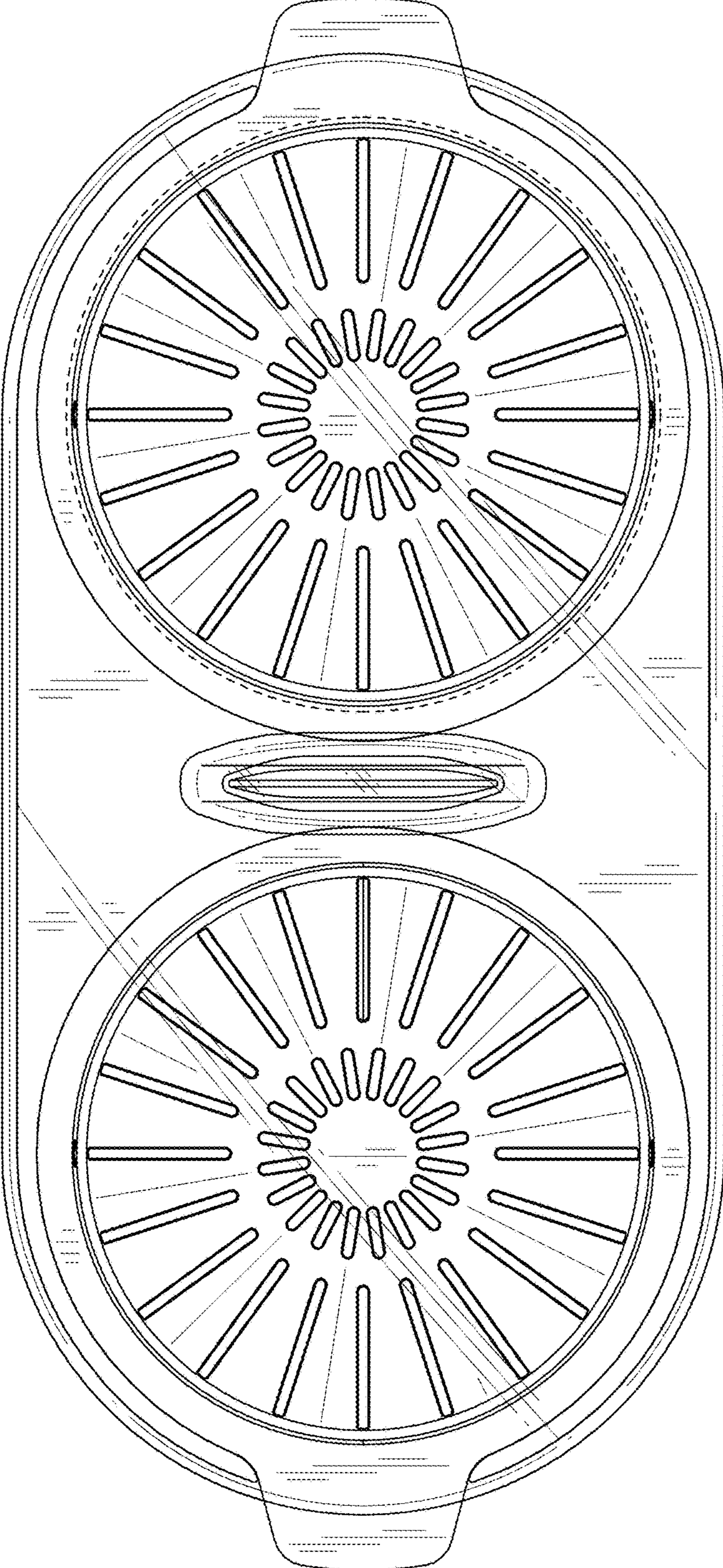


FIG. 5

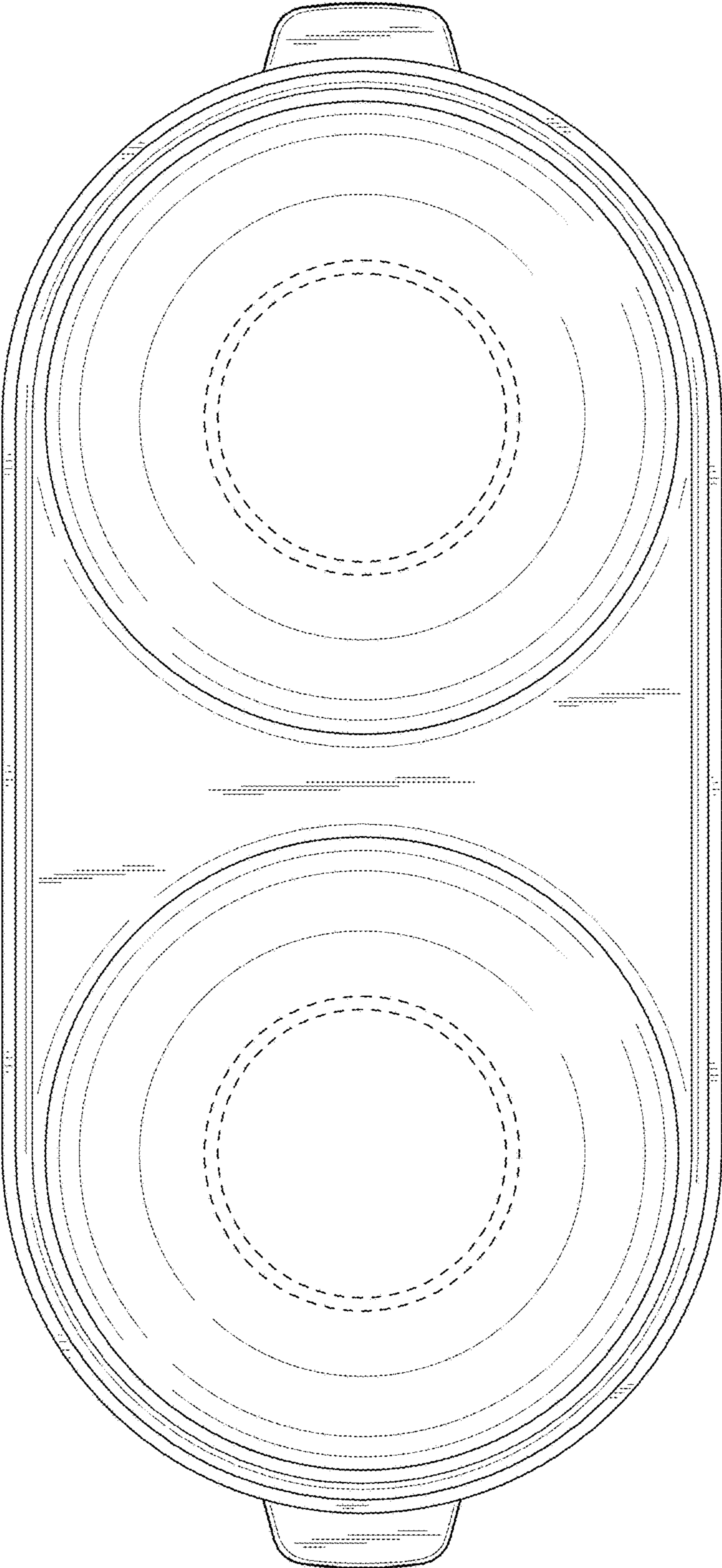


FIG. 6



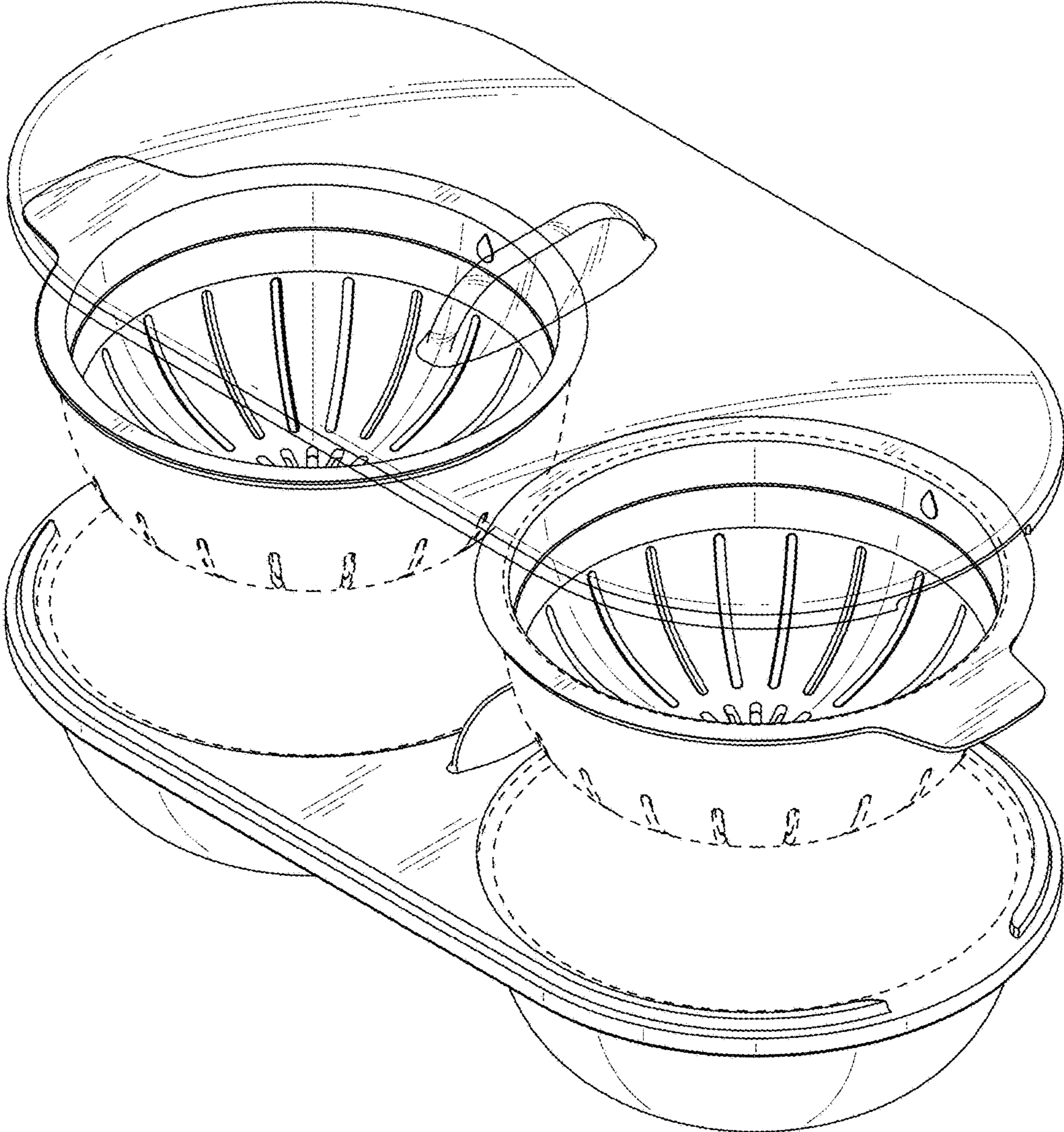


FIG. 7

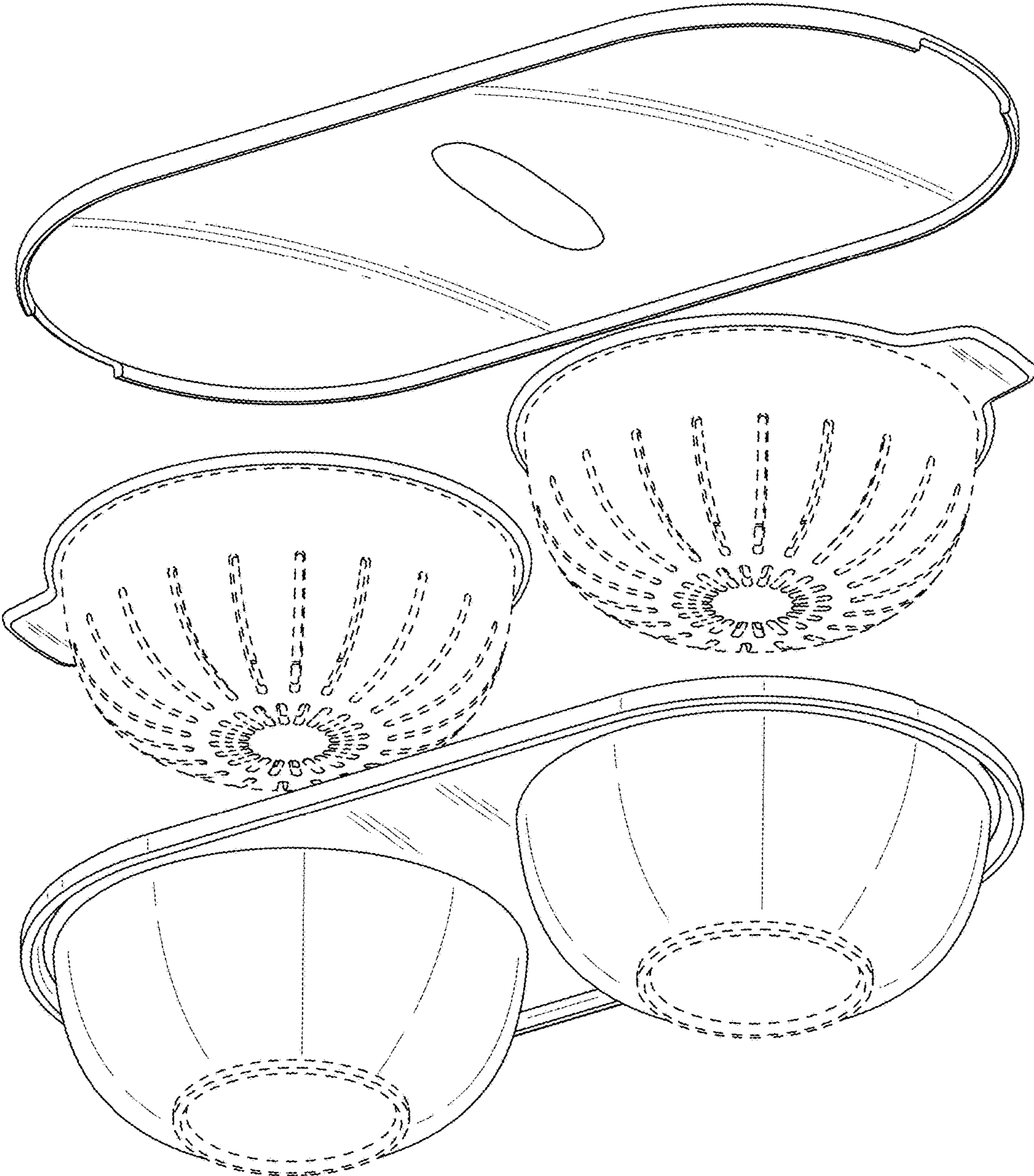


FIG. 8

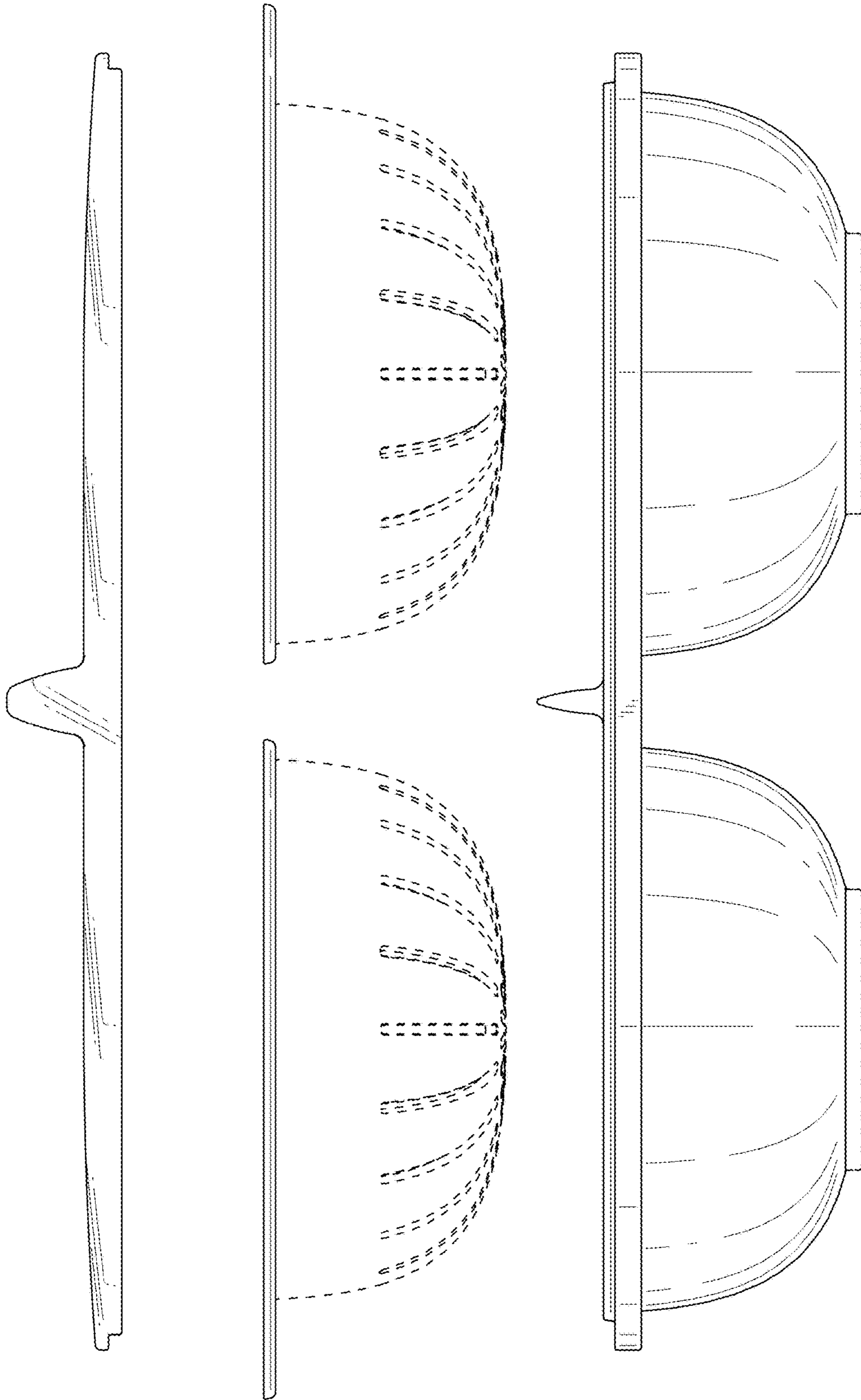


FIG. 9