



US00D808704S

(12) **United States Design Patent** (10) **Patent No.:** **US D808,704 S**  
**Benitez** (45) **Date of Patent:** **\*\* Jan. 30, 2018**

(54) **TORTILLA TOASTER**  
(71) Applicant: **Elliot Benitez**, Chicago, IL (US)  
(72) Inventor: **Elliot Benitez**, Chicago, IL (US)  
(73) Assignee: **Elliot Benitez**, Chicago, IL (US)  
(\*\*) Term: **15 Years**

D438,421 S \* 3/2001 Su ..... D7/350.1  
6,199,548 B1 \* 3/2001 Hsu ..... F23M 7/00  
126/190  
D442,016 S \* 5/2001 Park ..... D7/347  
D451,333 S \* 12/2001 Hsu ..... D7/350.4  
D568,669 S \* 5/2008 Kizilbayir ..... D7/328  
D703,993 S \* 5/2014 Garman ..... D7/350.1  
2016/0045069 A1 \* 2/2016 Benitez ..... A47J 37/0807  
426/418

(21) Appl. No.: **29/601,210**  
(22) Filed: **Apr. 20, 2017**

**Related U.S. Application Data**

(63) Continuation of application No. 14/773,753, filed on Sep. 8, 2015.  
(51) **LOC (11) Cl.** ..... **07-02**  
(52) **U.S. Cl.**  
USPC ..... **D7/330**  
(58) **Field of Classification Search**  
USPC .... D7/323, 328-330, 347, 350.1-350.4, 390  
CPC ... A21B 2/00; A47J 37/00; A47J 37/06; A47J  
37/0611; A47J 37/08; A47J 37/0807;  
A47J 37/0814; A47J 37/0835; A47J  
37/0842; A47J 37/085; A47J 37/0864;  
A47J 37/0878; A47J 37/0885; A47J  
37/0892; F23M 7/00; F24C 15/10; F24C  
15/102  
See application file for complete search history.

\* cited by examiner

*Primary Examiner* — Ricky Pham

(74) *Attorney, Agent, or Firm* — James Michael Faier;  
Faier & Faier P.C.; Martin Faier

(57) **CLAIM**

The ornamental design for a tortilla toaster, as shown and described.

**DESCRIPTION**

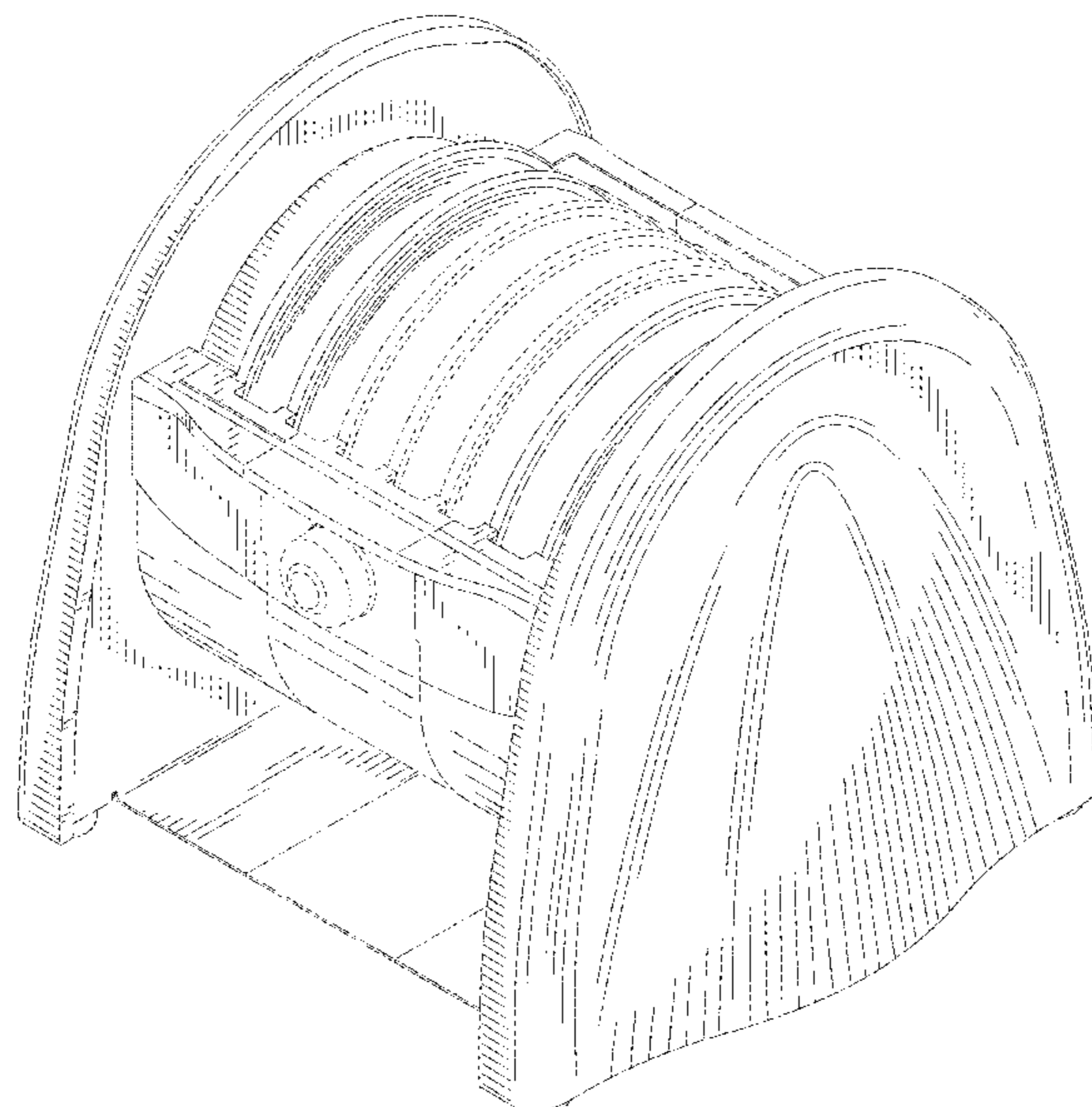
FIG. 1 is a front perspective view of a tortilla toaster showing my new design;  
FIG. 2 is a right side elevation view thereof;  
FIG. 3 is a front elevation view thereof;  
FIG. 4 is a left side elevation view thereof;  
FIG. 5 is a rear elevation view thereof;  
FIG. 6 is a top plan view thereof;  
FIG. 7 is a bottom plan view thereof;  
FIG. 8 is a front perspective view thereof in a dispensing mode; and,  
FIG. 9 is a front perspective view thereof in a toasting mode.  
The broken lines shown in the drawings illustrate portions of the tortilla toaster that form no part of the claimed design. The tortilla toaster is shown with a symbolic break in its width indicated by the dash dot dot dash lines. The appearance of any portion of the article between the symbolic break lines forms no part of the claimed design.

(56) **References Cited**

**U.S. PATENT DOCUMENTS**

2,562,535 A \* 7/1951 Leonard ..... A47J 37/0814  
307/132 T  
D401,472 S \* 11/1998 Gould ..... D7/330  
D413,040 S \* 8/1999 Lawrence ..... D7/350.4  
D422,172 S \* 4/2000 Hsu ..... D7/337  
D433,867 S \* 11/2000 Hsu ..... D7/350.4

**1 Claim, 6 Drawing Sheets**



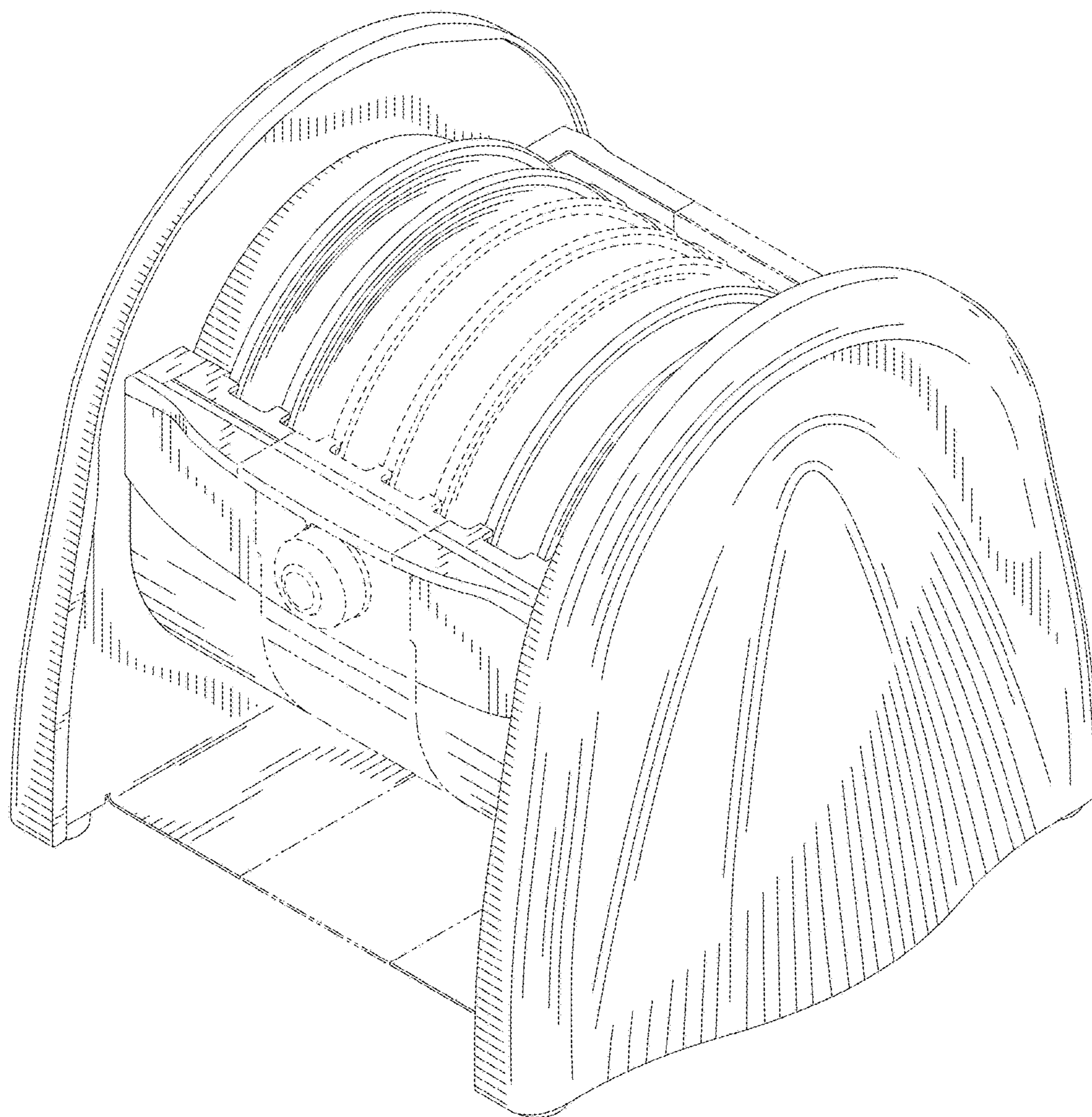


FIG.1



FIG. 2

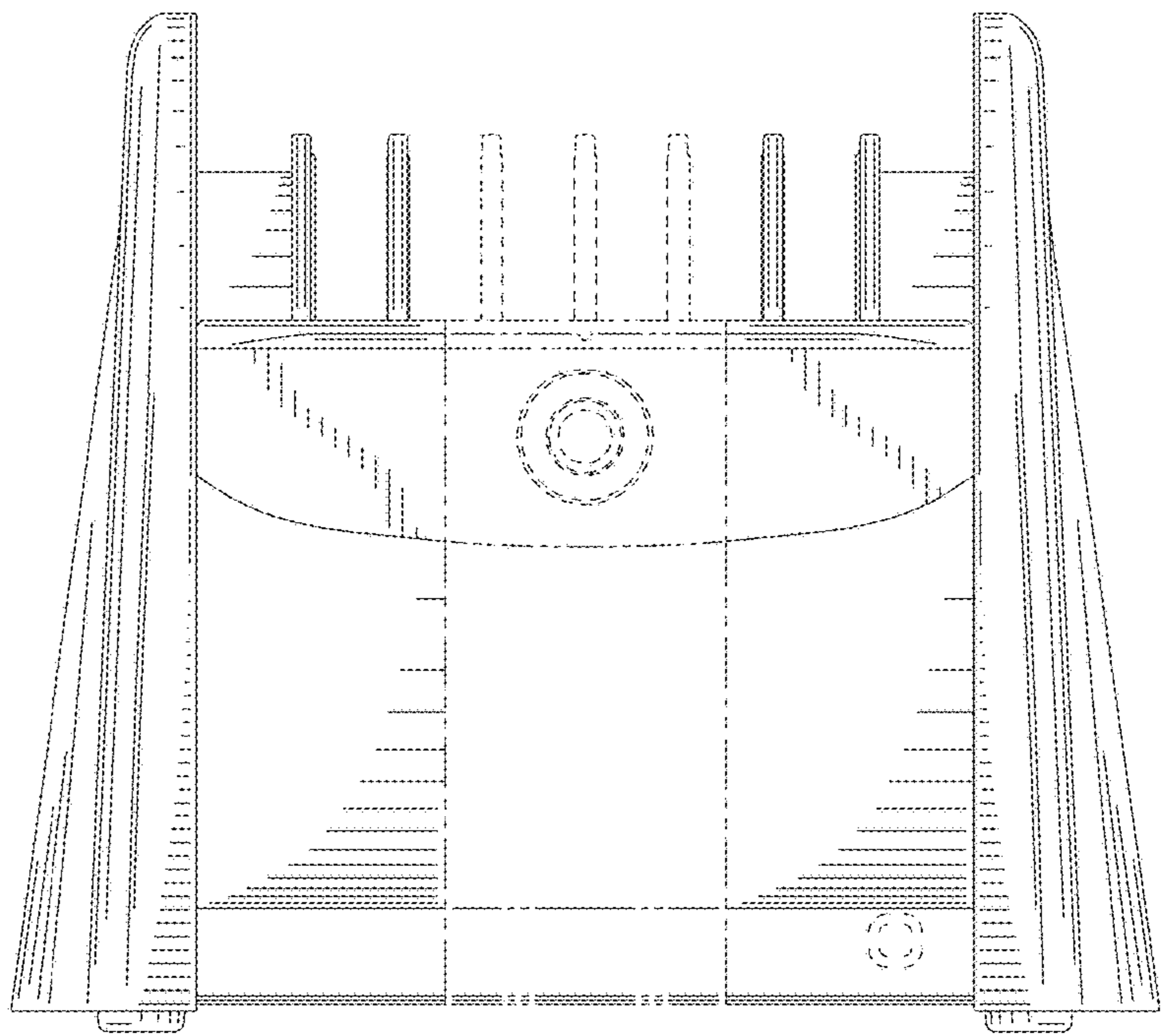


FIG. 3

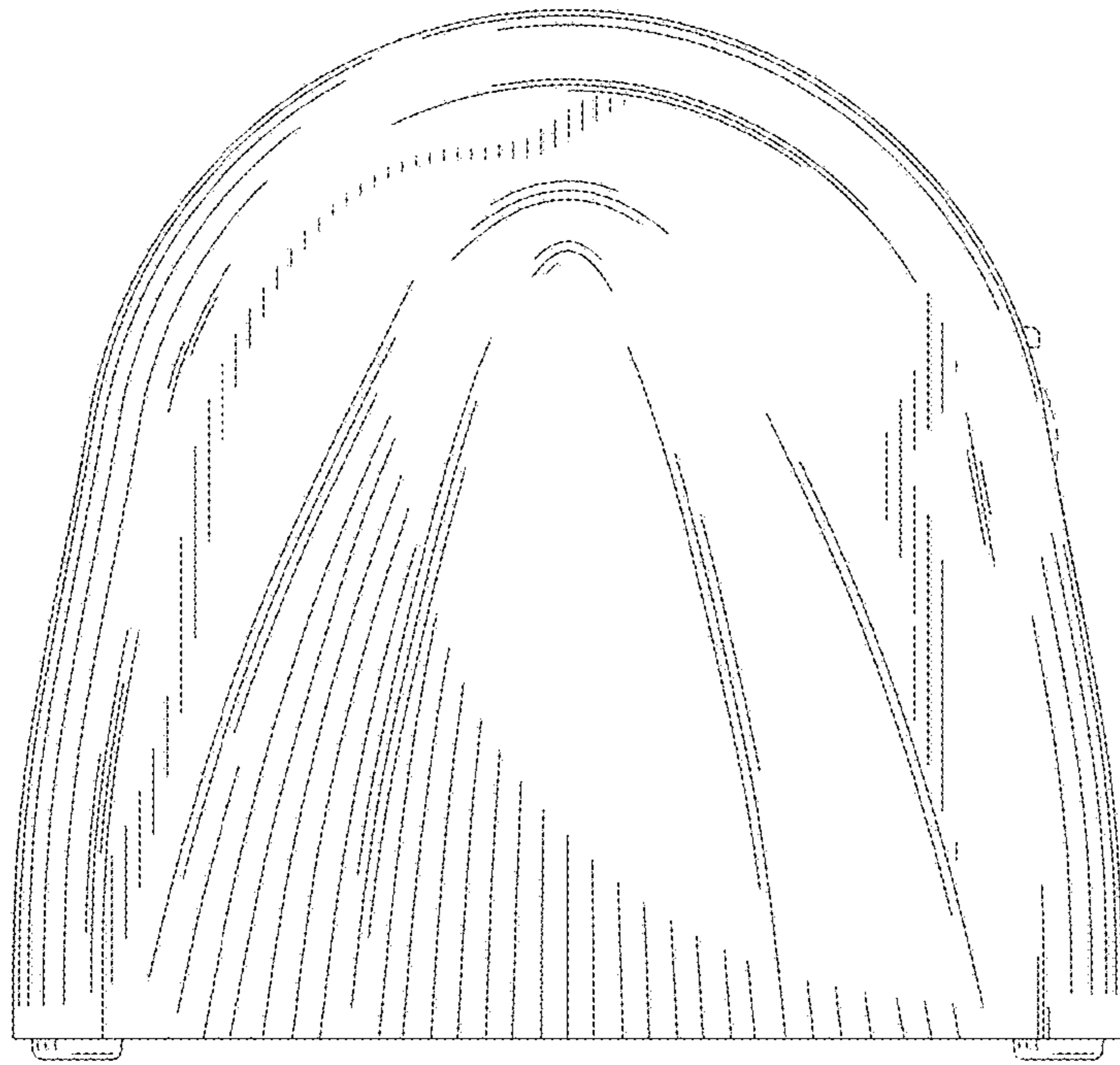


FIG. 4

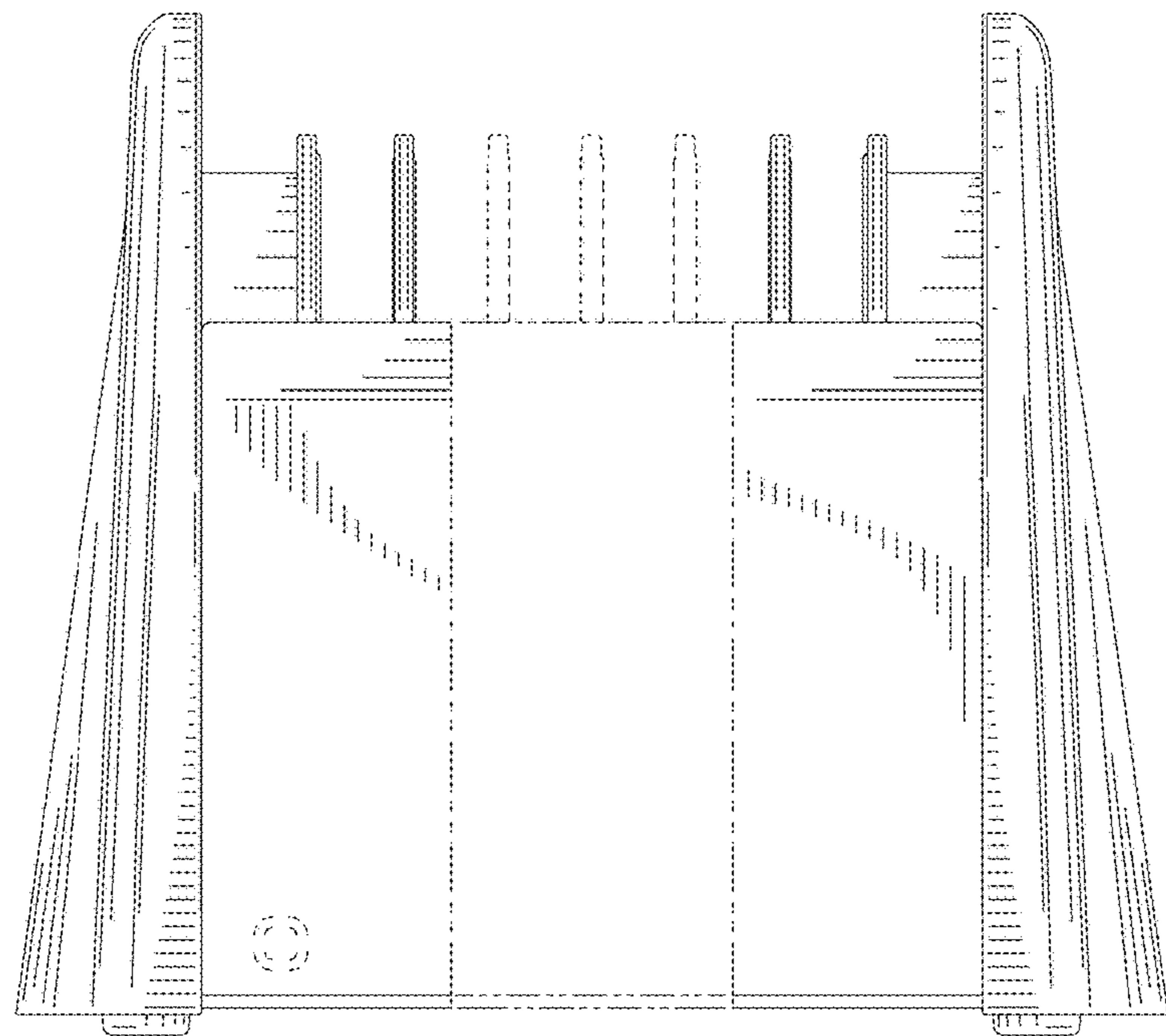


FIG. 5

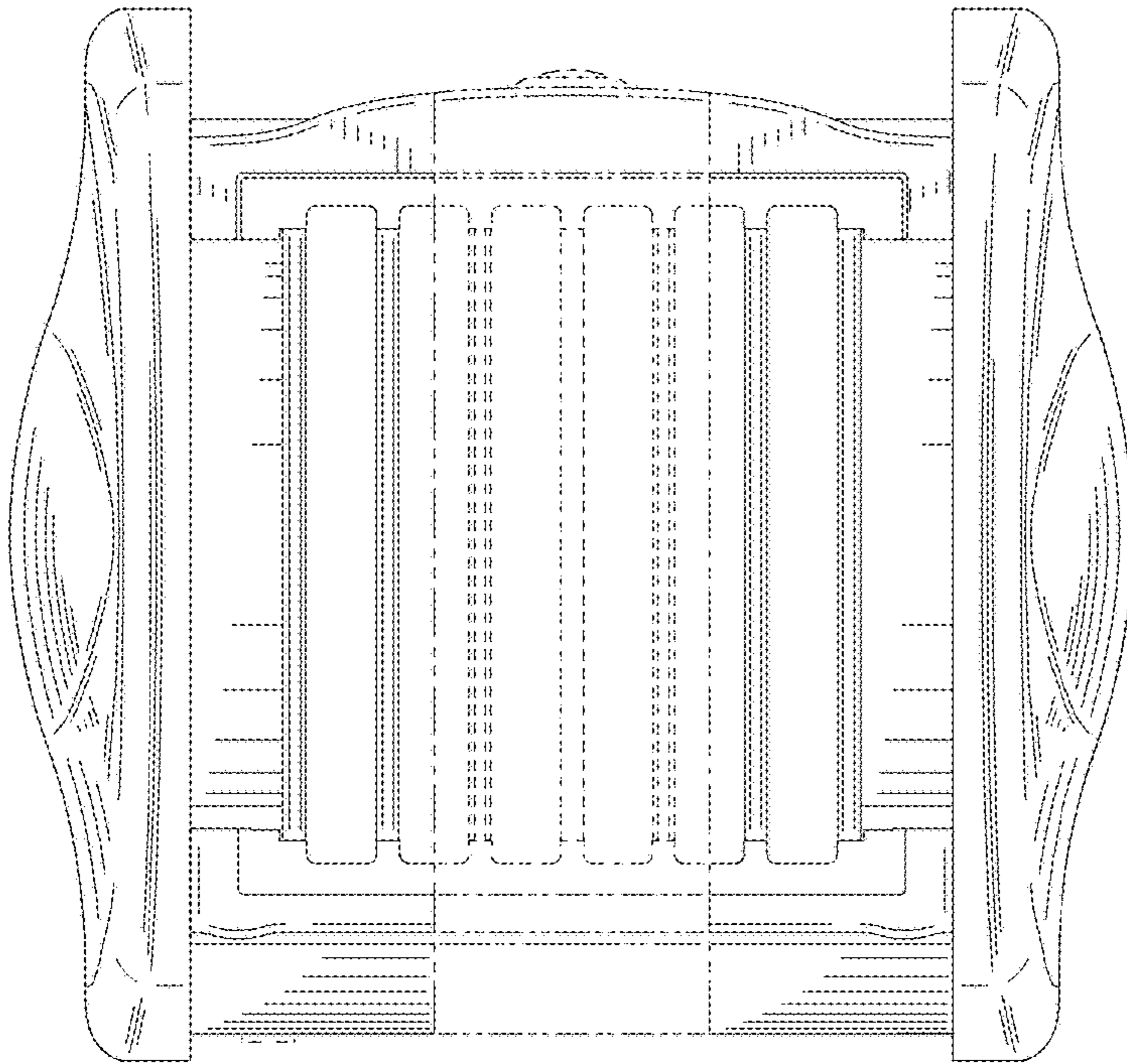


FIG. 6

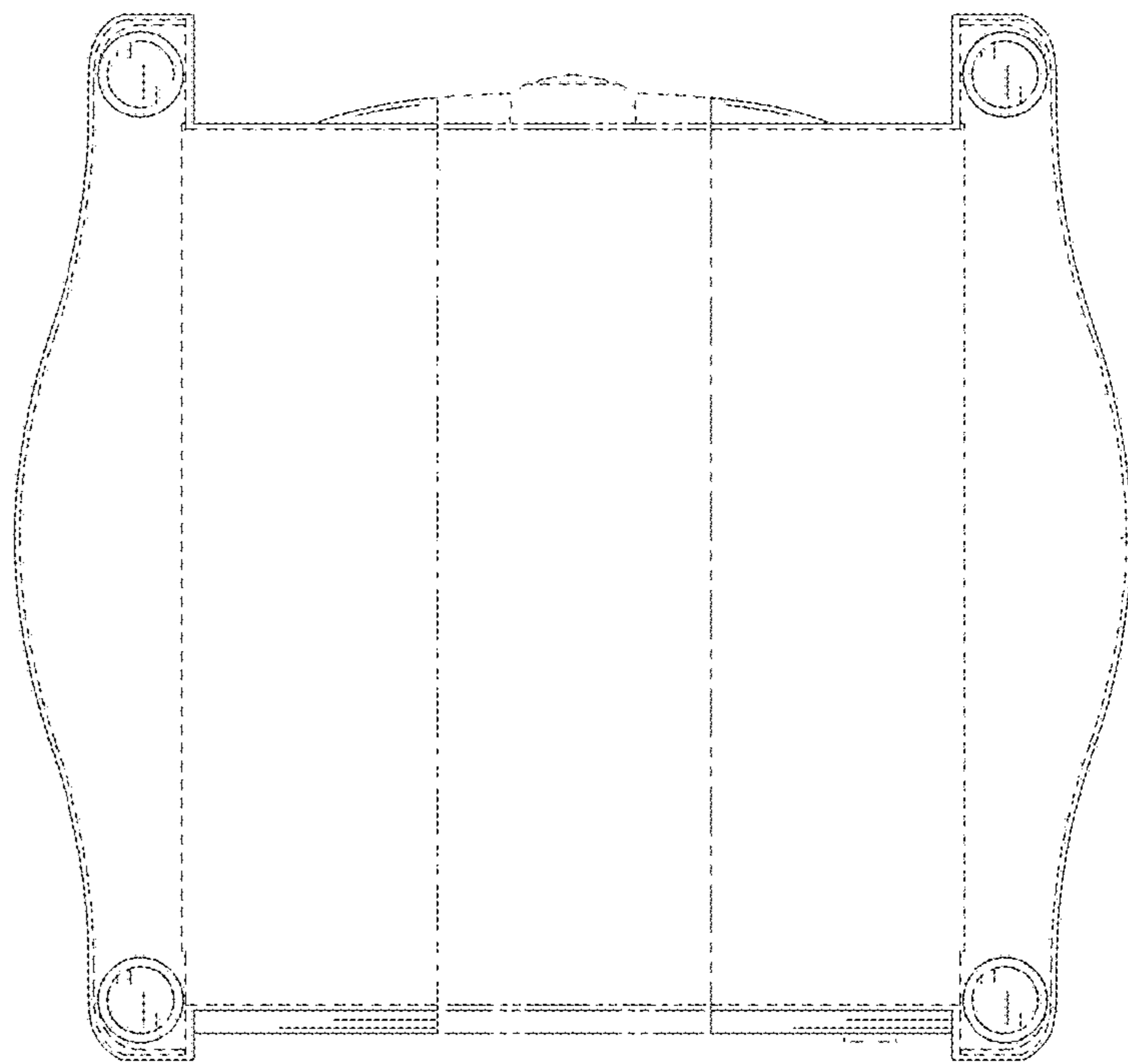


FIG. 7

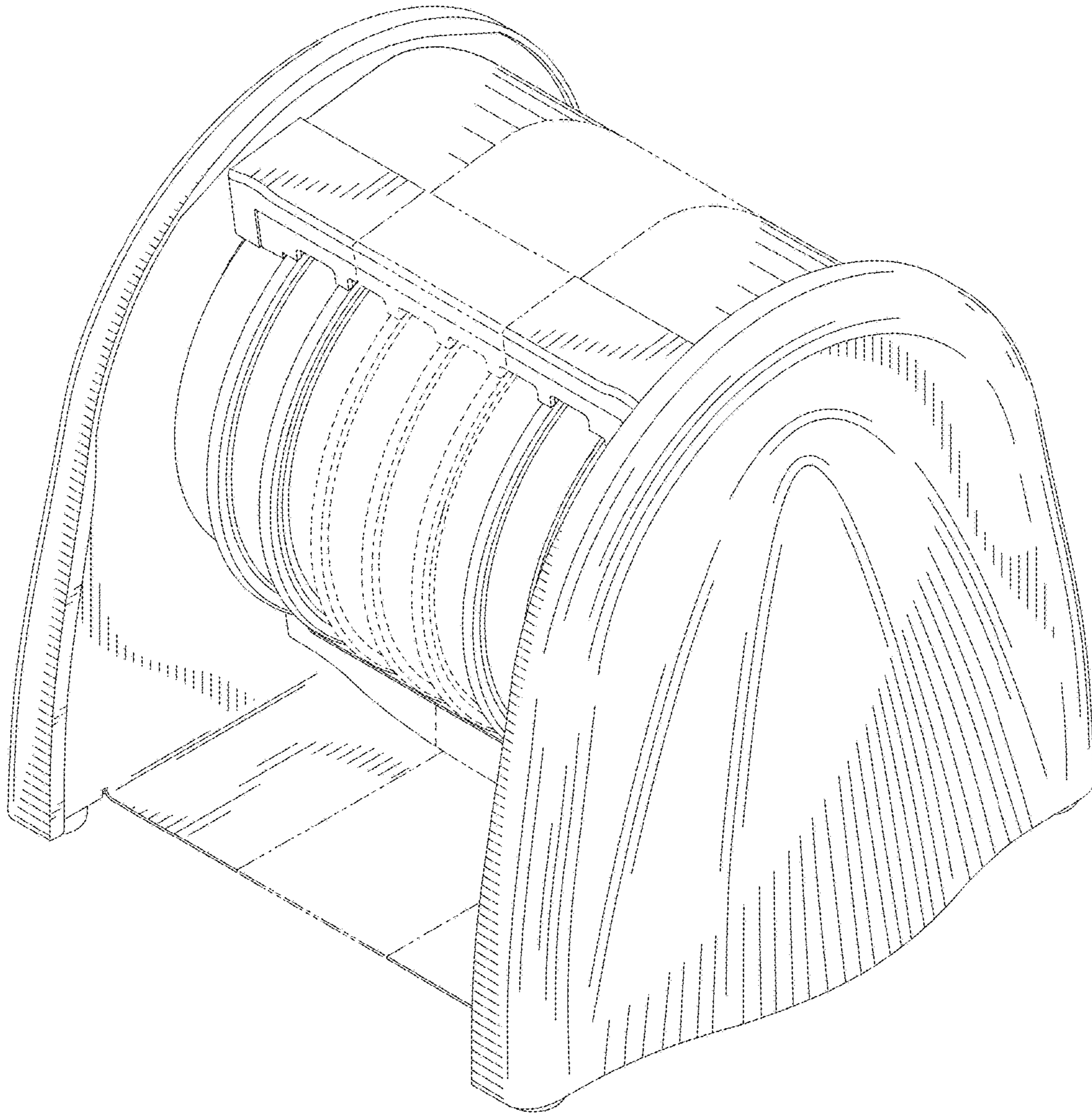


FIG.8

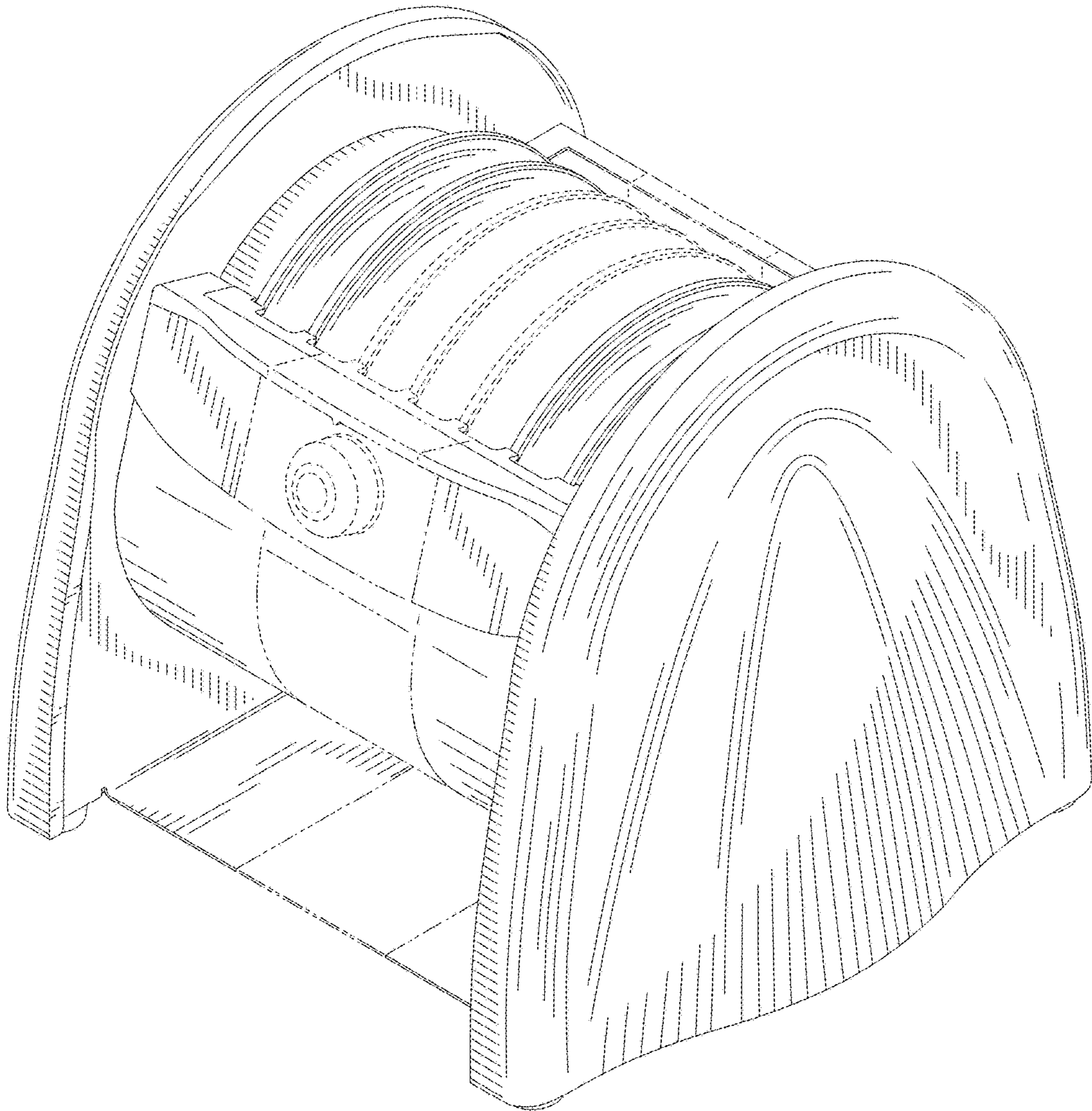


FIG.9