



US00D808700S

(12) **United States Design Patent** (10) **Patent No.:** **US D808,700 S**
Bartelsmeyer et al. (45) **Date of Patent:** **** Jan. 30, 2018**

- (54) **ADJUSTABLE BED FRAME**
- (71) Applicant: **L&P Property Management Company**, South Gate, CA (US)
- (72) Inventors: **Robert A. Bartelsmeyer**, Lebanon, MO (US); **John J. Case**, Plymouth, MI (US); **Philip E. Herrin**, Bremen, GA (US)
- (73) Assignee: **L&P Property Management Company**, South Gate, CA (US)
- (**) Term: **15 Years**
- (21) Appl. No.: **29/605,199**
- (22) Filed: **May 24, 2017**

Related U.S. Application Data

- (63) Continuation-in-part of application No. 15/188,112, filed on Jun. 21, 2016, now Pat. No. 9,730,523.
- (51) **LOC (11) Cl.** **06-06**
- (52) **U.S. Cl.**
USPC **D6/718**
- (58) **Field of Classification Search**
USPC D6/382, 392, 718, 709

(Continued)

(56) **References Cited**

U.S. PATENT DOCUMENTS

- 3,646,623 A 3/1972 Harris et al.
- 3,657,748 A 4/1972 Weinhart

(Continued)

FOREIGN PATENT DOCUMENTS

- WO 2016/196731 12/2016

OTHER PUBLICATIONS

Presto Bed Frame, "Bed Times," Fashion Bed Group, Mar. 22, 2017, site visited Sep. 12, 2017, available online at <http://bedtimesmagazine.com/2017/04/fashion-bed-group-presto-bed-frame/> (Year: 2017).*

bedtimesmagazine.com/2017/04/fashion-bed-group-presto-bed-frame/ (Year: 2017).*

(Continued)

Primary Examiner — Cathron C Brooks

(74) *Attorney, Agent, or Firm* — Wood, Herron & Evans, LLP

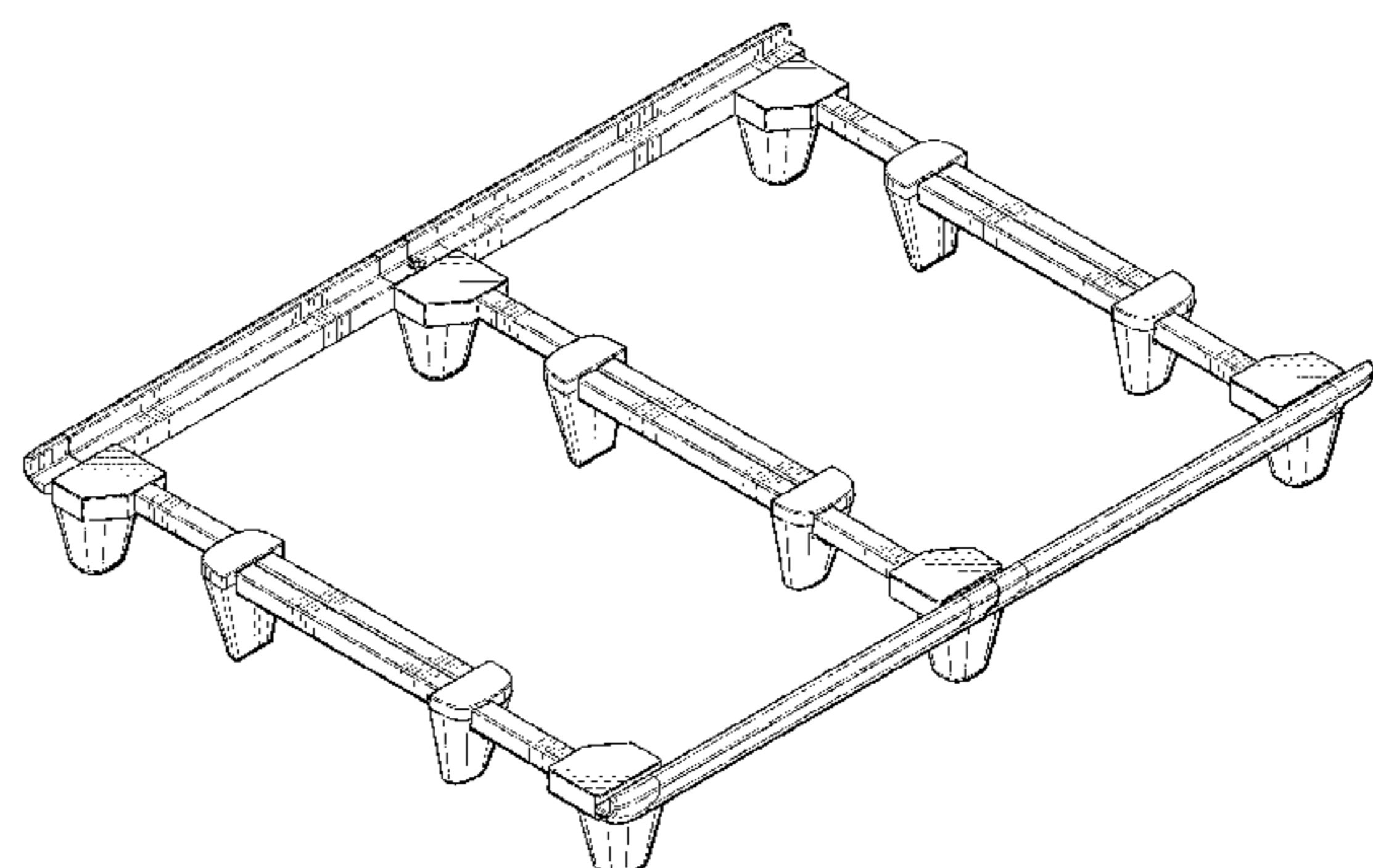
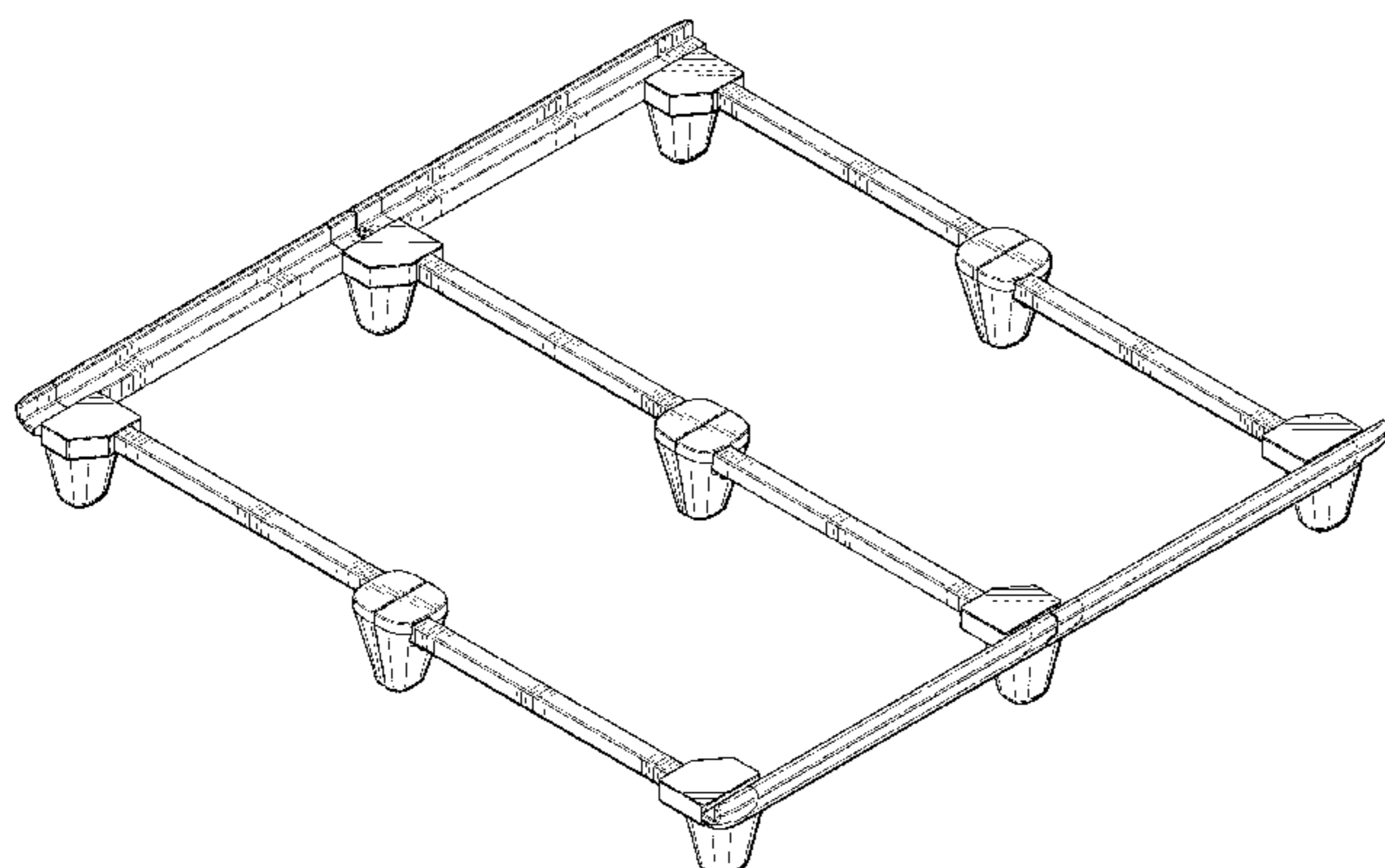
(57) **CLAIM**

The ornamental design for an adjustable bed frame, as shown and described.

DESCRIPTION

FIG. 1 is a perspective view of an adjustable bed frame illustrating our new design;
 FIG. 2 is a front view, the rear view being identical thereof;
 FIG. 3 is a side view thereof;
 FIG. 4 is a top view thereof;
 FIG. 5 is a bottom view thereof;
 FIG. 6 is a perspective view of the adjustable bed frame showing a second configuration;
 FIG. 7 is a front view of the adjustable bed frame in the second configuration, the rear view being identical thereof;
 FIG. 8 is a side view of the adjustable bed frame in the second configuration;
 FIG. 9 is a top view of the adjustable bed frame in the second configuration;
 FIG. 10 is a bottom view of the adjustable bed frame in the second configuration;
 FIG. 11 is a perspective view of the adjustable bed frame showing a third configuration;
 FIG. 12 is a front view of the adjustable bed frame in the third configuration, the rear view being identical thereof;
 FIG. 13 is a side view of the adjustable bed frame in the third configuration;
 FIG. 14 is a top view of the adjustable bed frame in the third configuration;
 FIG. 15 is a bottom view of the adjustable bed frame in the third configuration; and,
 FIG. 16 is a perspective view of an alternative embodiment of the adjustable bed frame.

(Continued)



The broken lines shown in the drawings illustrate environmental subject matter and form no part of the claimed design. The broken line breaks shown in FIG. 16 indicate that the appearance of any portion of the adjustable bed frame between the breaks forms no part of the claimed design.

1 Claim, 13 Drawing Sheets

(58) **Field of Classification Search**

CPC A47C 19/00; A47C 19/021; A47C 19/025;
A47C 19/027; A47C 19/04

See application file for complete search history.

(56) **References Cited**

U.S. PATENT DOCUMENTS

4,038,710	A	8/1977	Tambascio
4,263,683	A	4/1981	Knocke
5,471,809	A	12/1995	Frankel
5,740,568	A	4/1998	Elliott
6,560,796	B1	5/2003	Diforio
6,826,790	B1	12/2004	Polevoy et al.
7,100,228	B2	9/2006	Polevoy et al.
7,213,379	B2	5/2007	Carlson et al.
7,219,378	B2	5/2007	Polevoy et al.
7,363,664	B2	4/2008	Polevoy
7,954,184	B2	6/2011	Polevoy et al.
8,832,876	B1	9/2014	Oh

8,832,881	B2	9/2014	Polevoy et al.
9,138,945	B2 *	9/2015	Rimmer B29C 41/003
D747,116	S *	1/2016	Stitchick D6/382
9,247,825	B2 *	2/2016	Polevoy A47C 19/005
D760,003	S *	6/2016	Primeau D6/709
9,439,514	B2	9/2016	Polevoy et al.
9,730,523	B2 *	8/2017	Bartelsmeyer A47C 19/04
2003/0200608	A1	10/2003	Polevoy et al.
2005/0278858	A1 *	12/2005	Polevoy A47C 19/005 5/663
2007/0044235	A1	3/2007	Navarro et al.
2007/0074344	A1	4/2007	Cloer et al.
2008/0155799	A1	7/2008	Bartelsmeyer et al.
2009/0188036	A1	7/2009	Bartelsmeyer et al.
2010/0242171	A1 *	9/2010	Polevoy A47C 19/005 5/282.1
2011/0289682	A1	12/2011	Lee
2014/0208506	A1	7/2014	Bartelsmeyer et al.
2015/0047123	A1	2/2015	Polevoy et al.
2015/0208811	A1 *	7/2015	Polevoy A47C 19/025 5/200.1
2016/0007759	A1 *	1/2016	Polevoy A47C 19/024 5/400
2016/0106222	A1	4/2016	Polevoy et al.
2017/0013968	A1 *	1/2017	Bartelsmeyer A47C 19/04
2017/0273468	A1	9/2017	Polevoy et al.

OTHER PUBLICATIONS

Knickerbocker Bed Frame Company, Bed Architecture by Knickerbocker, copyright 2012, 16 pp.

* cited by examiner

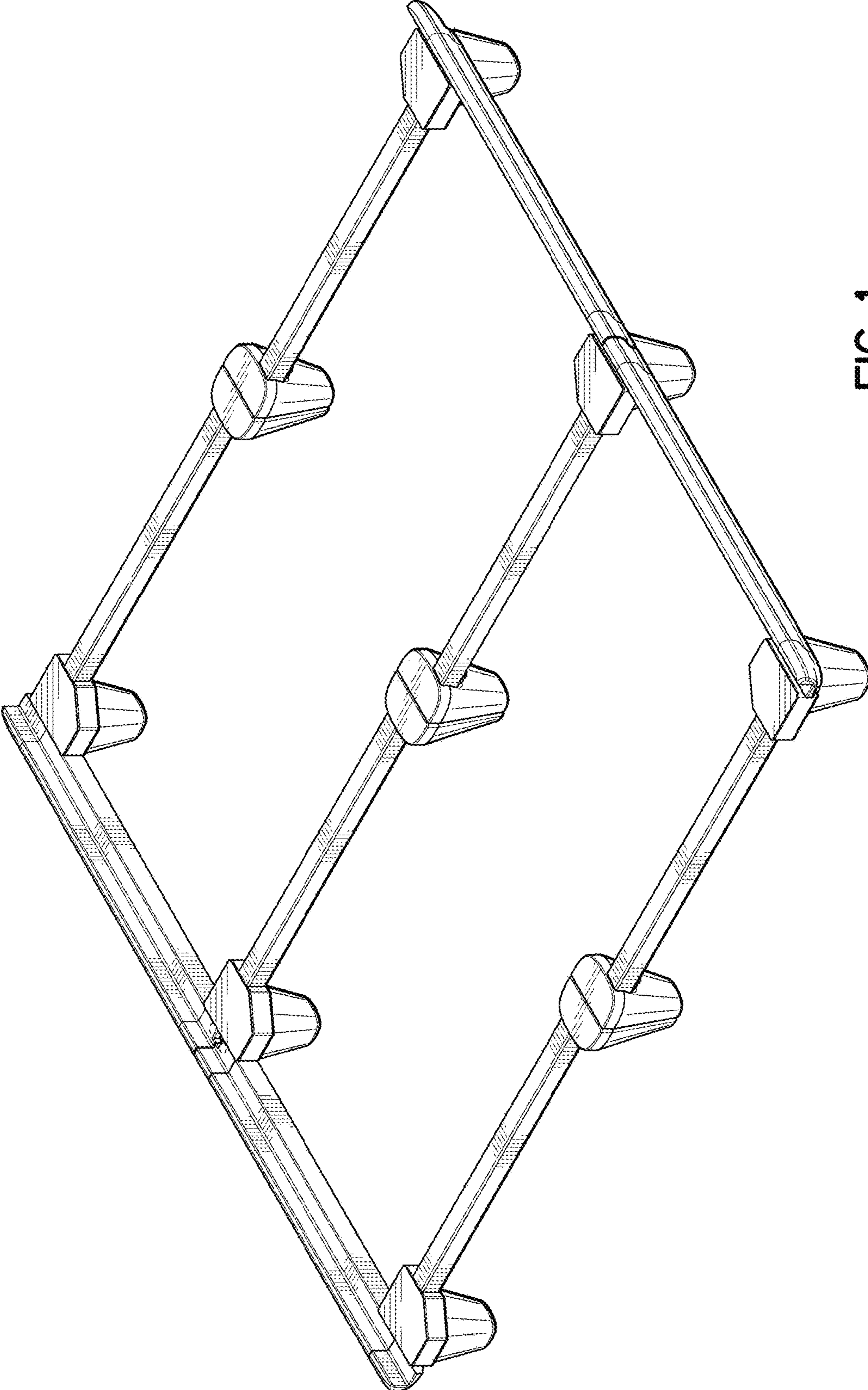


FIG. 1

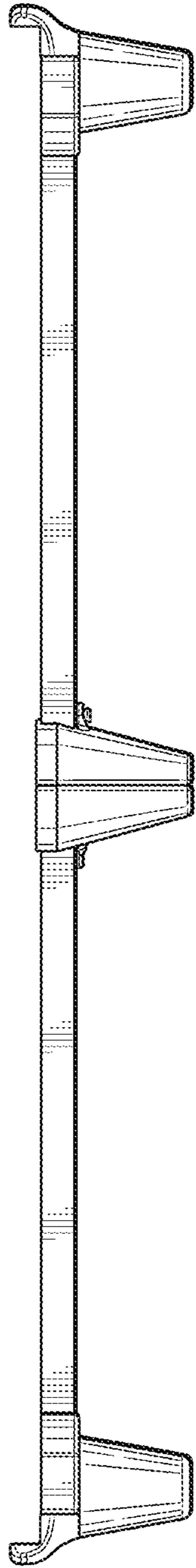


FIG. 2

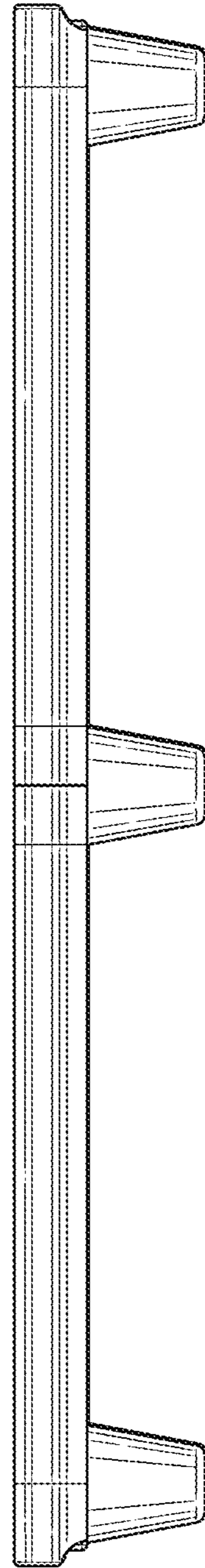


FIG. 3

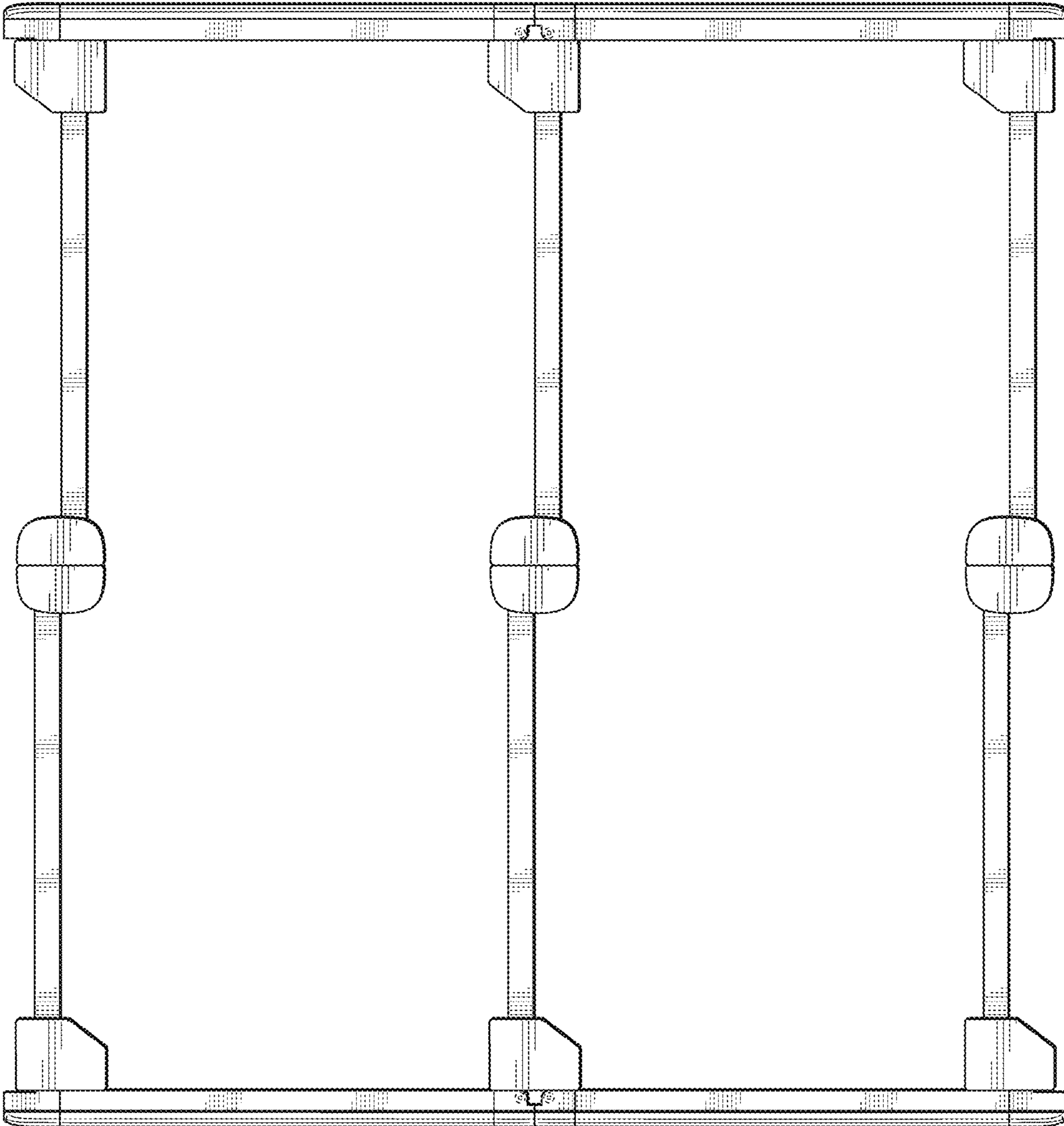


FIG. 4

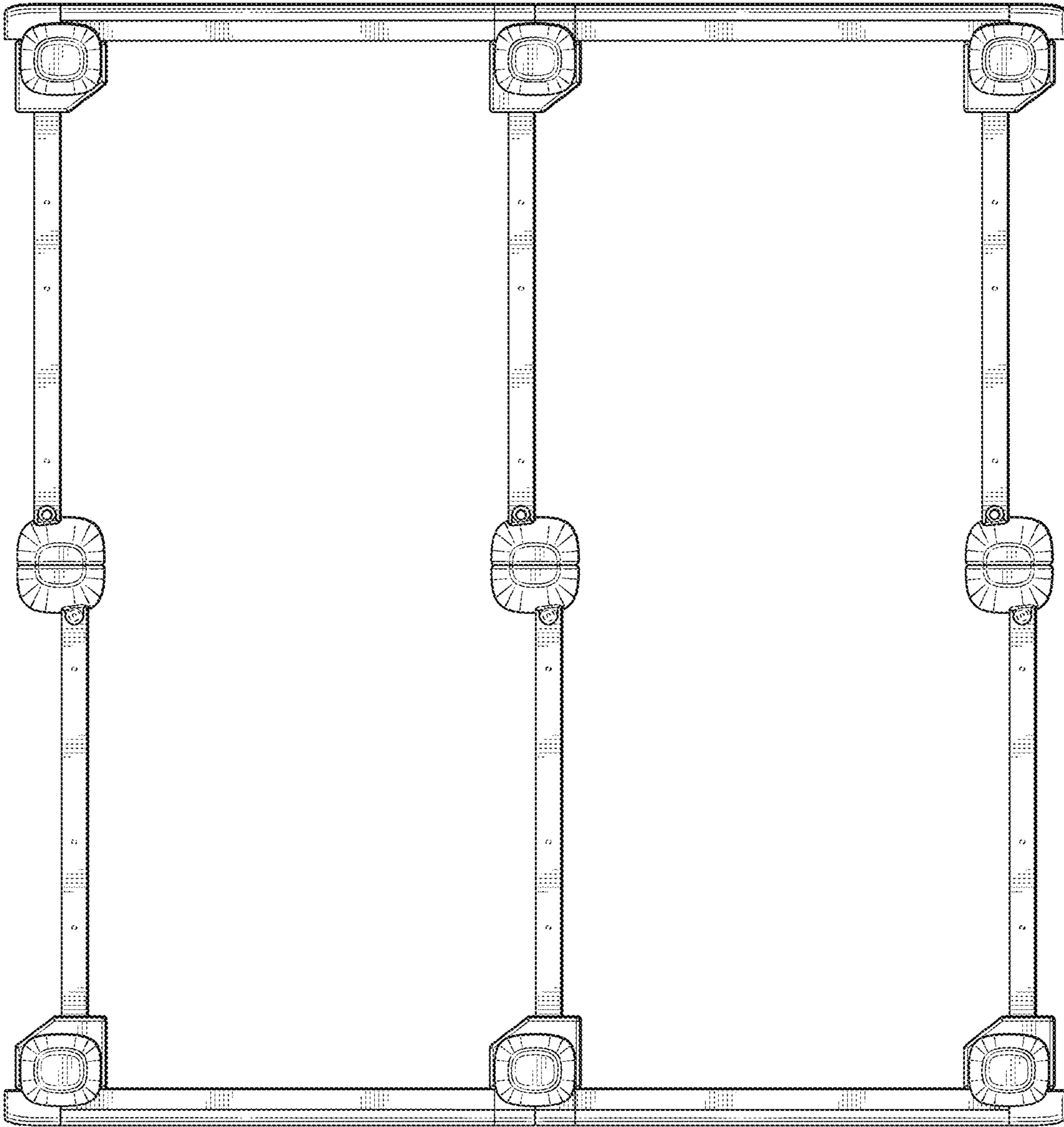


FIG. 5

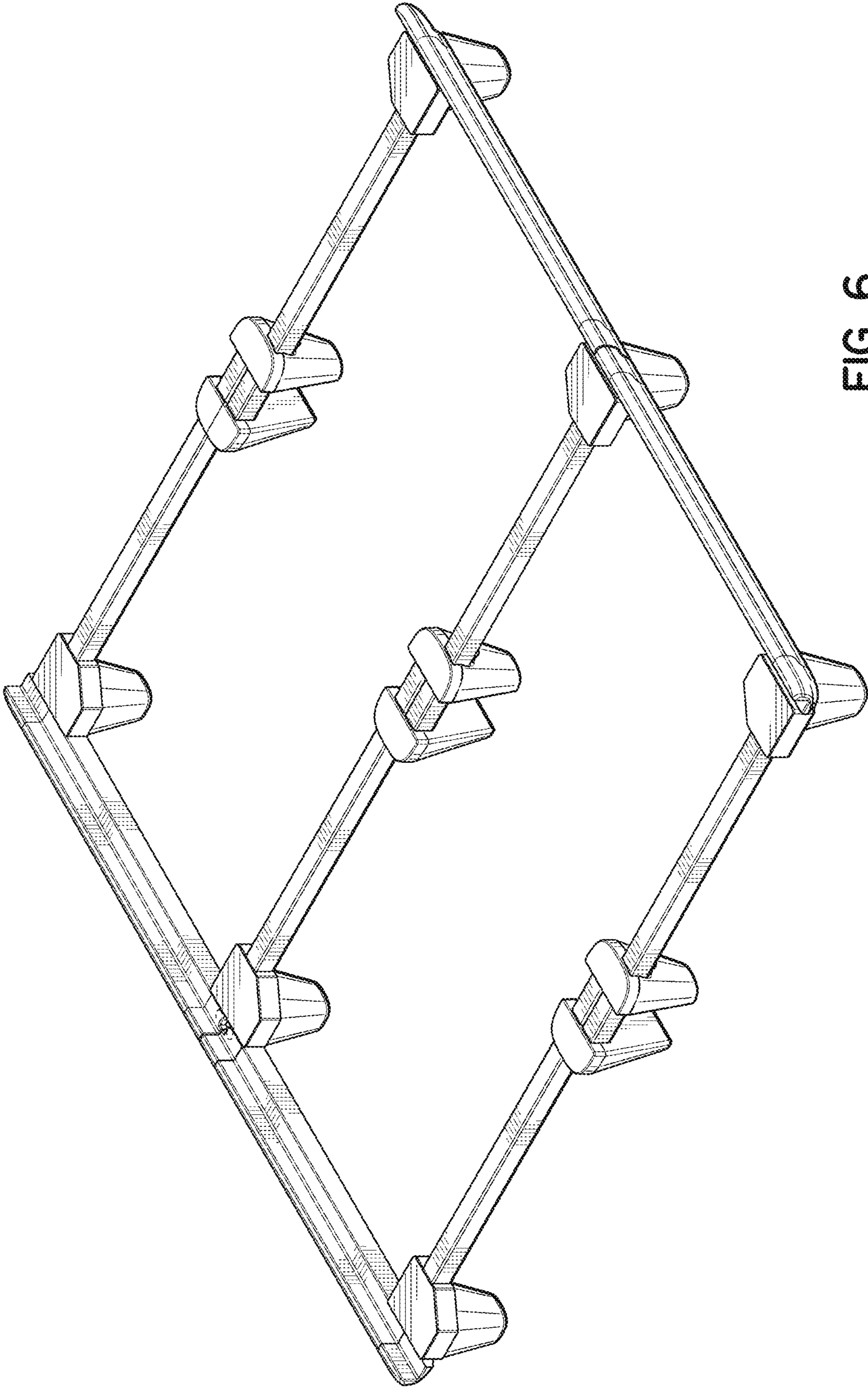


FIG. 6

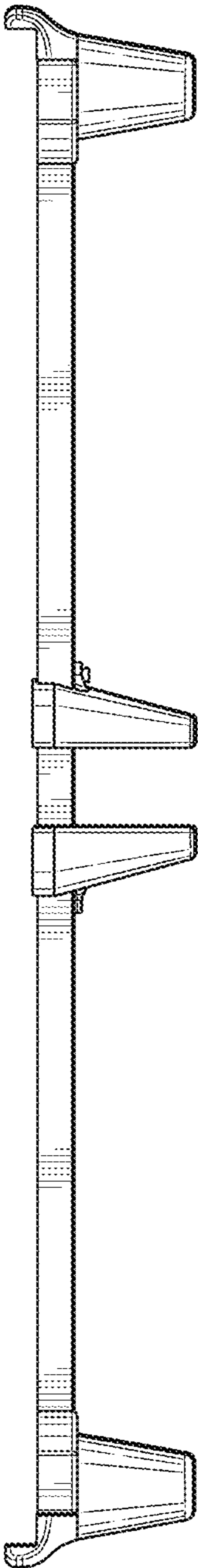


FIG. 7

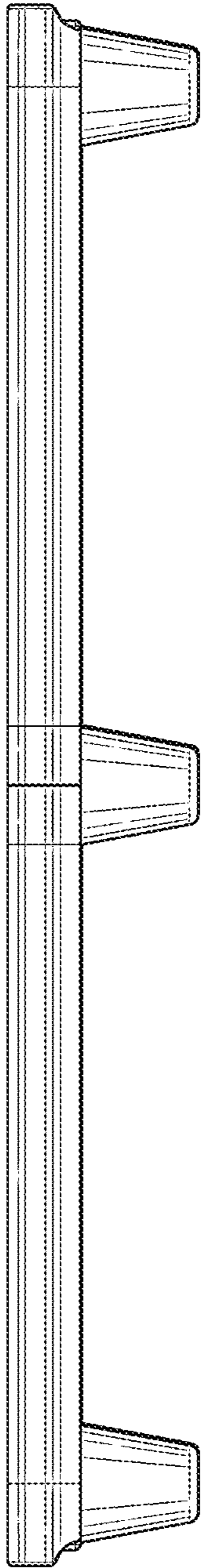


FIG. 8

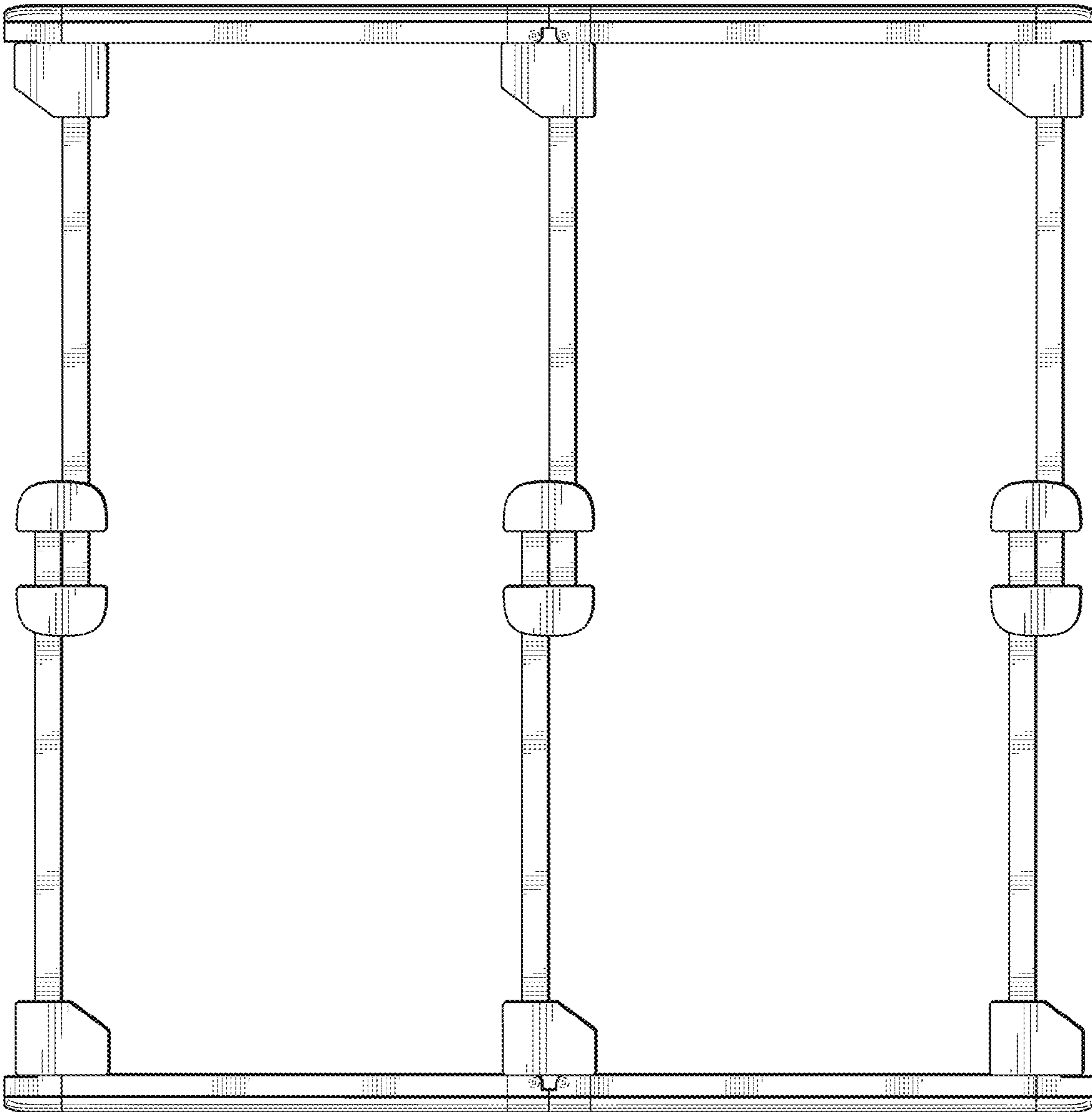


FIG. 9

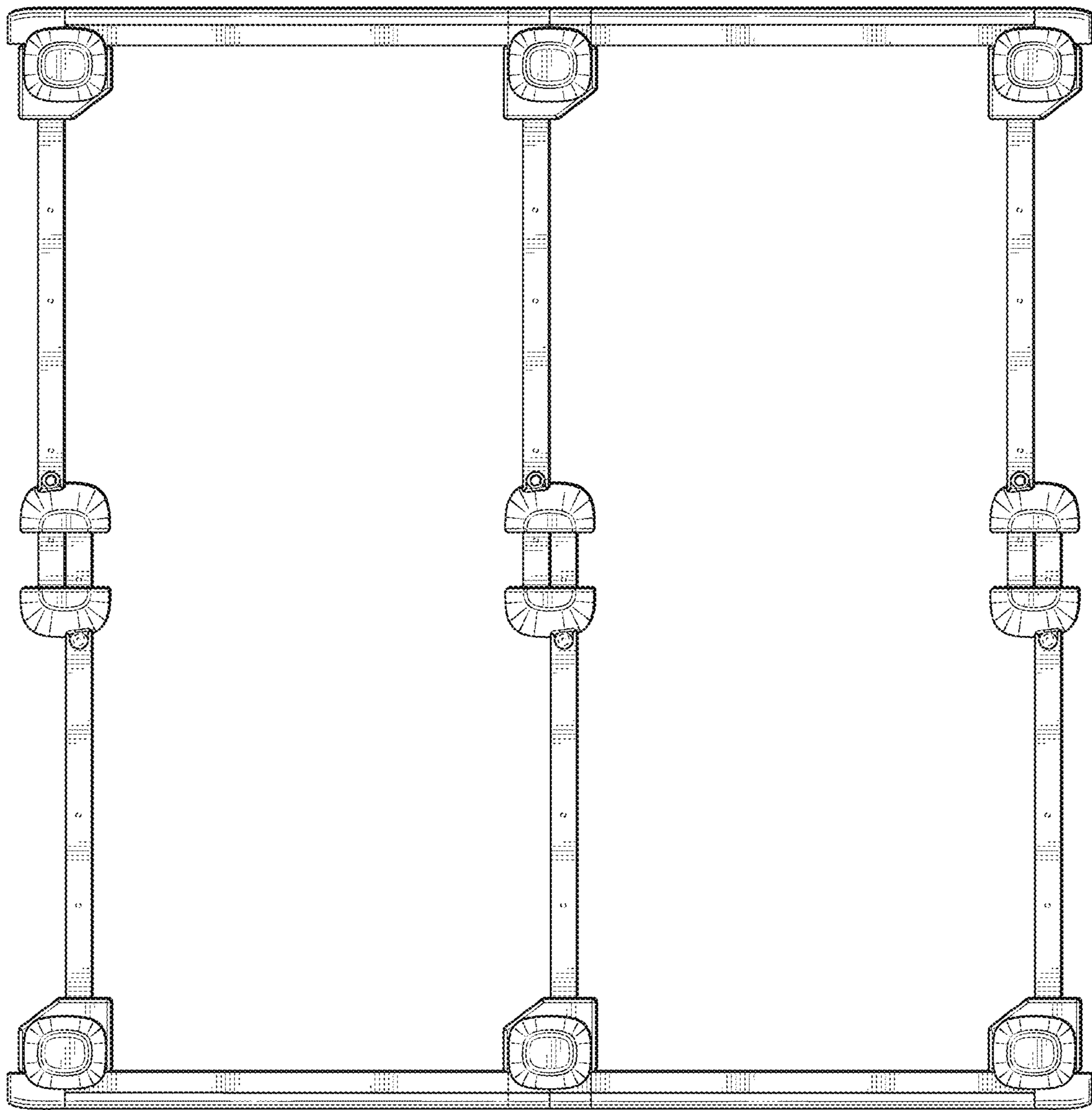


FIG. 10

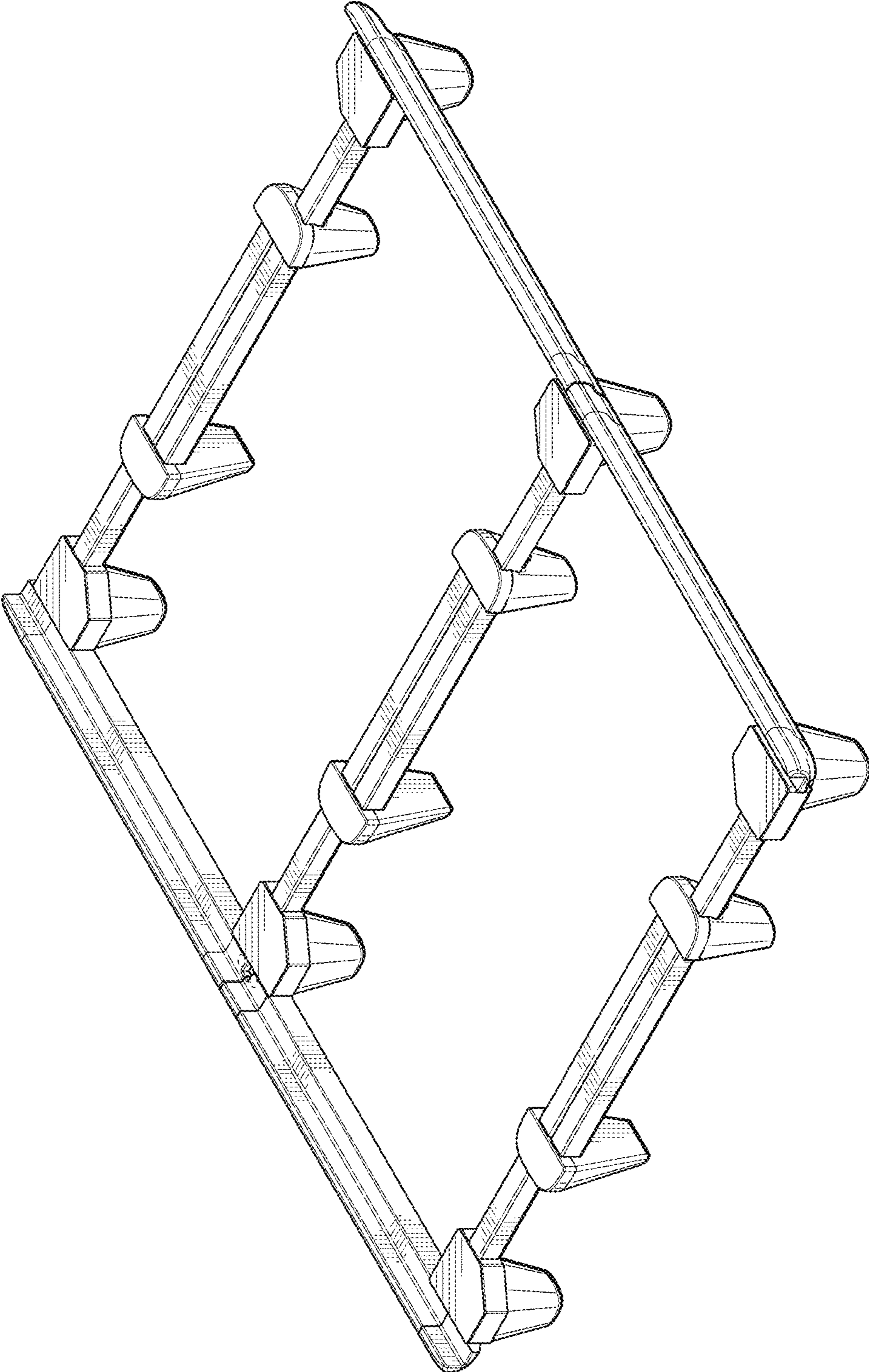


FIG. 11

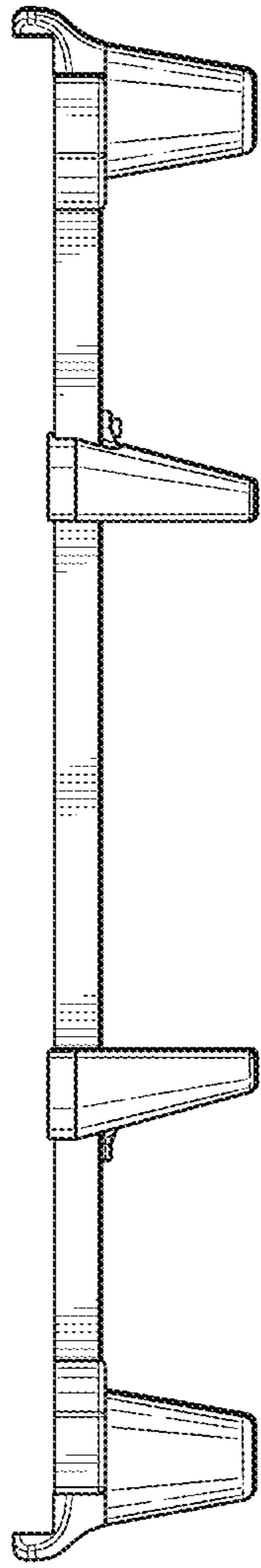


FIG. 12

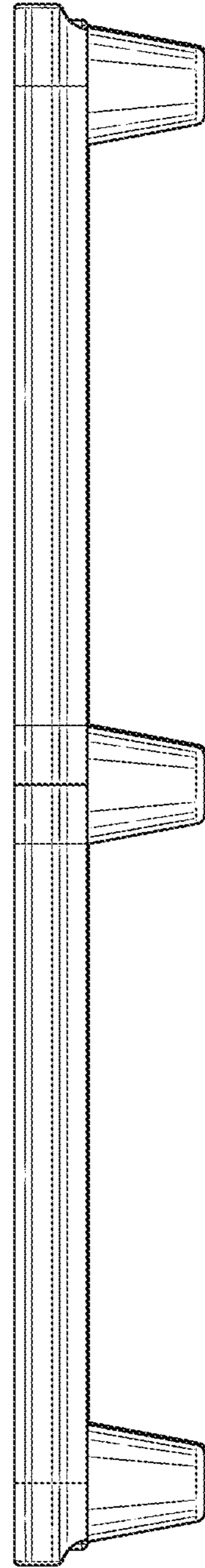


FIG. 13

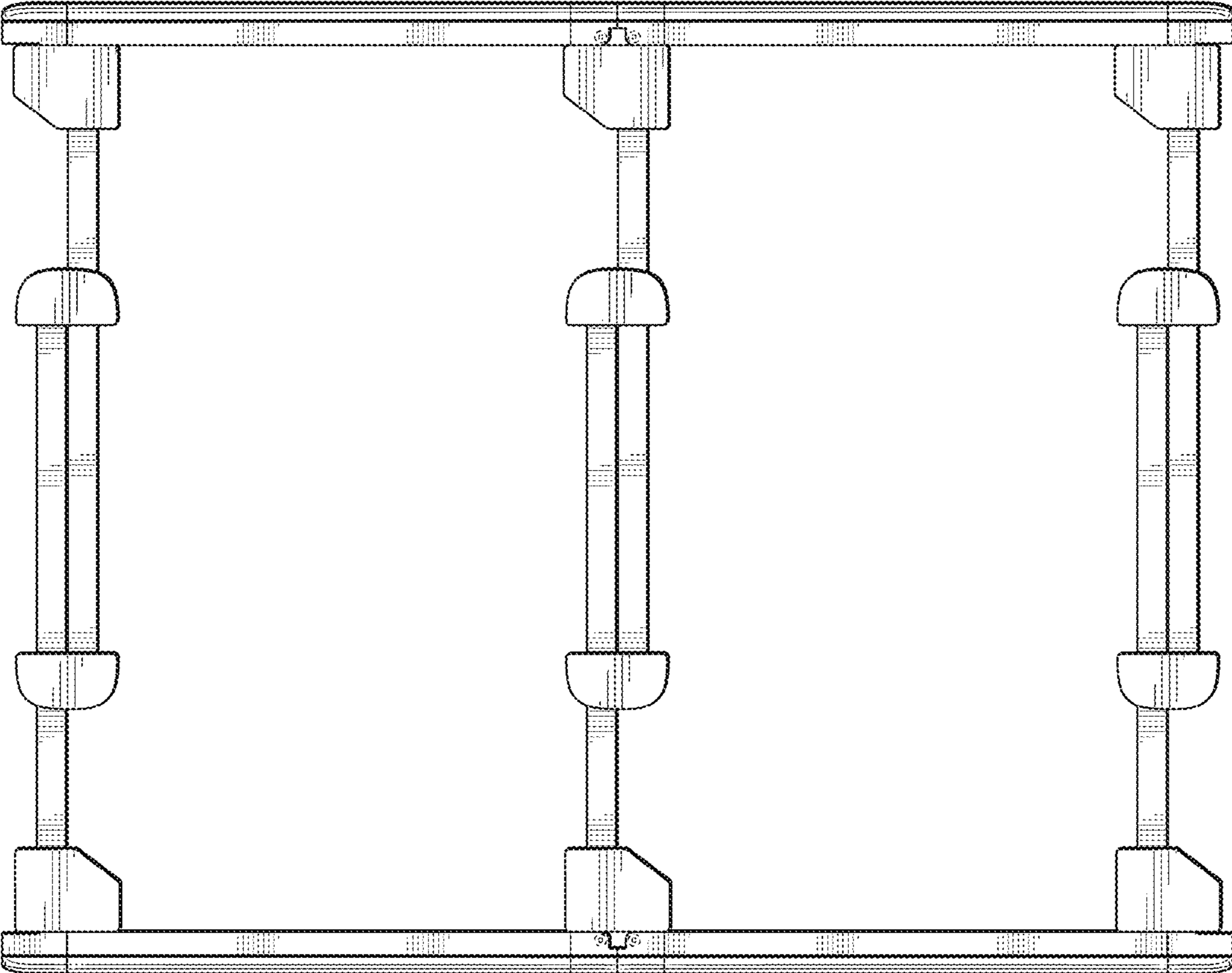


FIG. 14

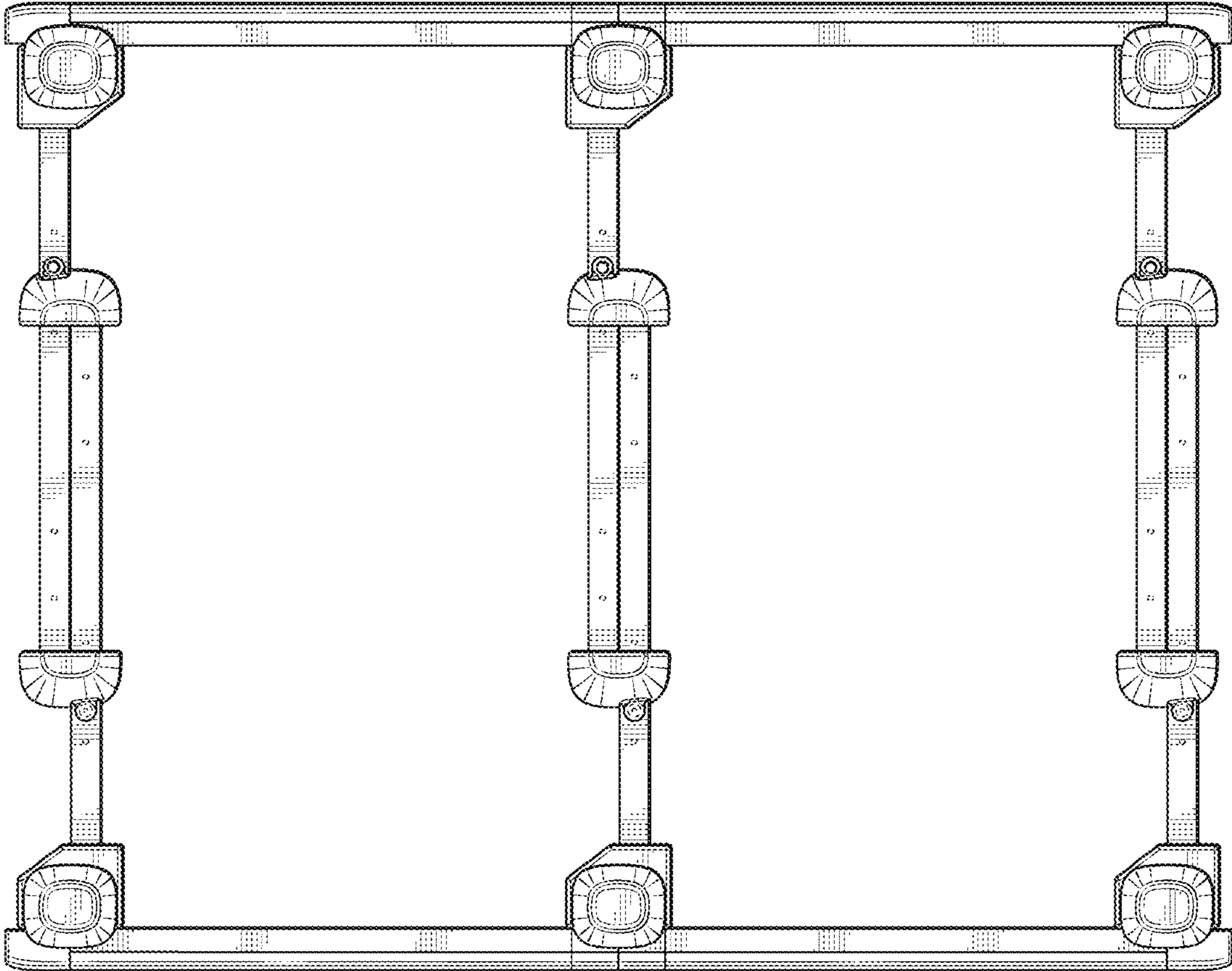


FIG. 15

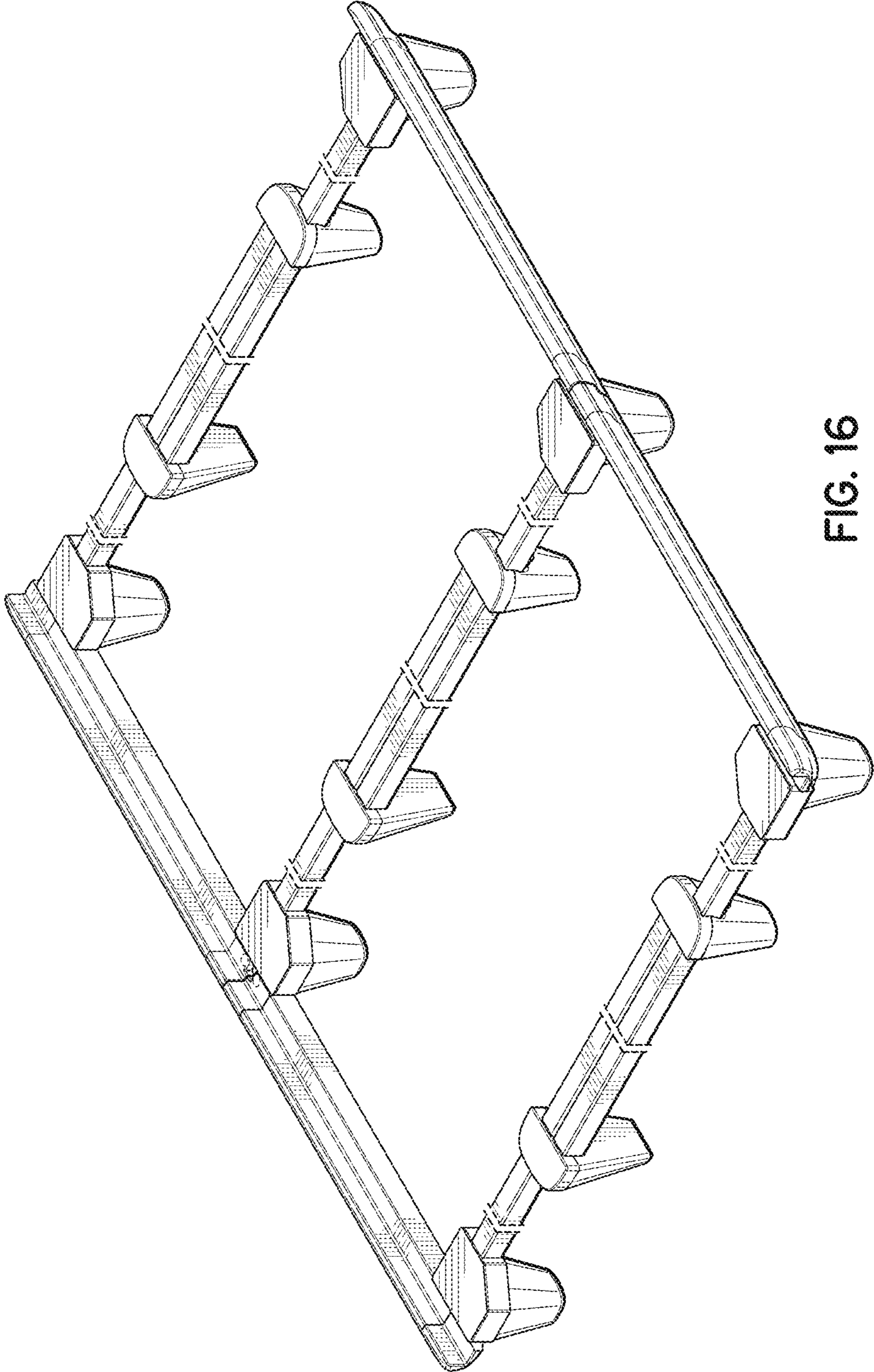


FIG. 16