



US00D808699S

(12) **United States Design Patent** (10) **Patent No.:** **US D808,699 S**
Diffrient et al. (45) **Date of Patent:** **** Jan. 30, 2018**

(54) **OTTOMAN SUPPORT**

(71) Applicant: **Humanscale Corporation**, New York, NY (US)

(72) Inventors: **Niels Diffrient**, New York, NY (US);
Jeff Theesfeld, New York, NY (US)

(73) Assignee: **Humanscale Corporation**, New York, NY (US)

(**) Term: **15 Years**

(21) Appl. No.: **29/567,413**

(22) Filed: **Jun. 8, 2016**

(51) **LOC (11) Cl.** **06-06**

(52) **U.S. Cl.**
USPC **D6/716.6; D6/716**

(58) **Field of Classification Search**
USPC D6/334, 349–355, 358, 360–368,
D6/371–374, 403, 405, 601, 604, 657,
D6/675.4, 685, 688.17, 690, 691–691.9,
D6/692–692.6, 693–693.3, 695, 708,
D6/708.15–708.25, 709.11, 716–716.7,
D6/717; D25/62–65; D8/307, 349, 354,
D8/382
CPC A47C 9/00–9/105; A47C 7/00–7/02; A47C
16/00–16/04; A47C 11/00; A47C 3/18;
A47C 3/20; A47C 12/00; A47C 13/00
See application file for complete search history.

D384,228 S * 9/1997 Desnoyers D6/708.16
D489,922 S * 5/2004 Choi A47B 3/0912
D6/708.16
D498,091 S * 11/2004 Winter D6/709
D674,627 S * 1/2013 Mecherle D6/708.16
D724,366 S * 3/2015 Gerard D6/709
D760,521 S * 7/2016 Galiotto D6/708.17
D766,635 S * 9/2016 Muller D6/708.17
D786,000 S * 5/2017 Gerard D6/717

OTHER PUBLICATIONS

Eames Lounge Chair and Ottoman, www.hermanmiller.com, known at least as early as Jun. 7, 2016, 2 pgs.

* cited by examiner

Primary Examiner — Vy N Koenig
(74) *Attorney, Agent, or Firm* — Womble Bond Dickinson (US) LLP

(57) **CLAIM**

We claim the ornamental design for an ottoman support, as shown and described.

DESCRIPTION

FIG. 1 is a top front left perspective view of the ottoman support showing our new design in an environment of use; FIG. 2 is a bottom rear left perspective view thereof; FIG. 3 is a right side view of the ottoman support showing our new design; FIG. 4 is a left side view thereof; FIG. 5 is a rear view thereof; FIG. 6 is a front view thereof; FIG. 7 is a top view thereof; and, FIG. 8 is a bottom view thereof.

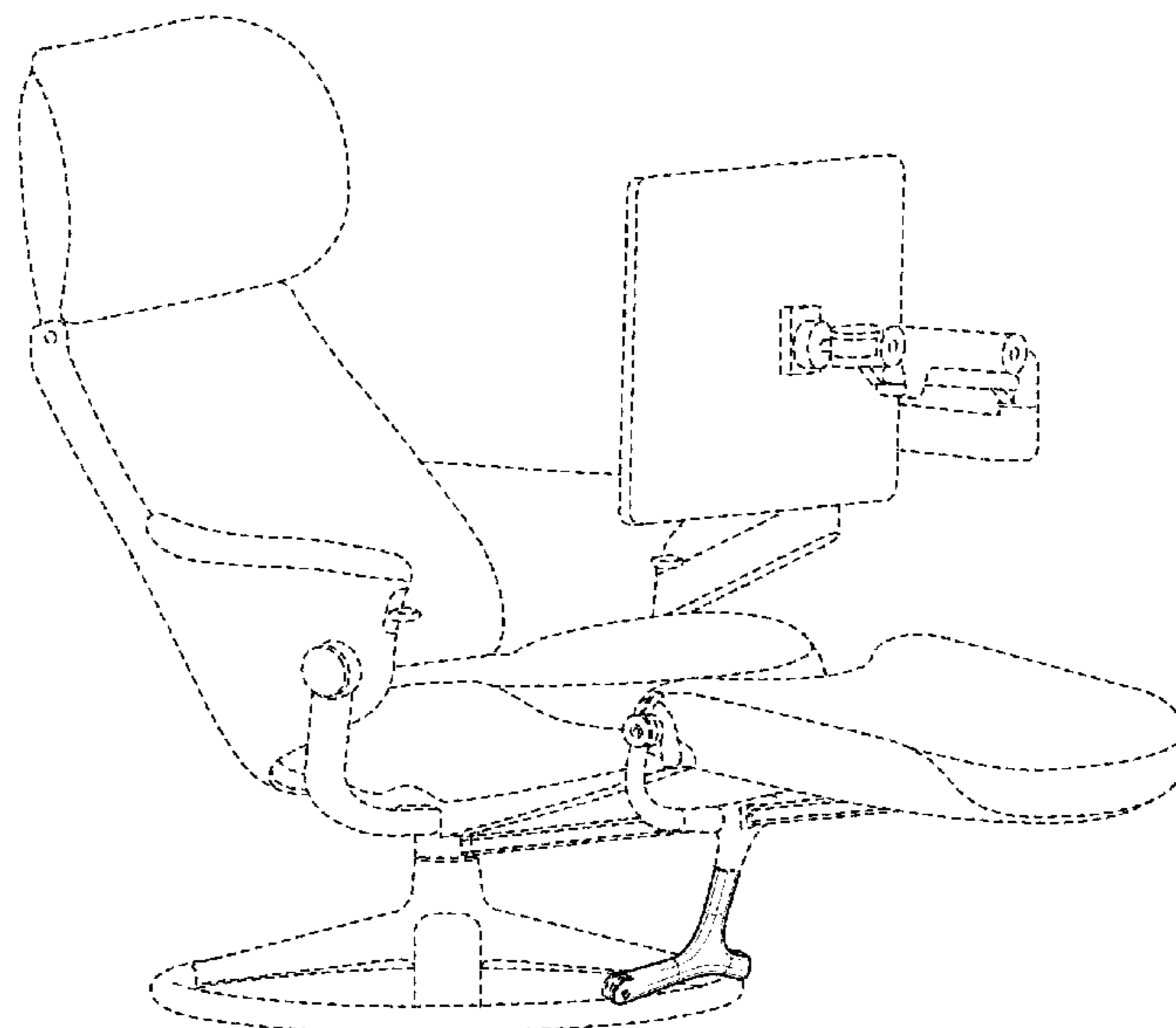
The dash-dash lines in the figures show portions and features that form no part of the claimed design. The dash-dot line in the figures represents the unclaimed boundary of the design.

1 Claim, 5 Drawing Sheets

(56) **References Cited**

U.S. PATENT DOCUMENTS

D38,687 S * 7/1907 Budd D6/708.17
D207,776 S * 5/1967 Jakobsen D6/708.16
D207,954 S * 6/1967 Parker D6/708.17
D359,182 S * 6/1995 Von Gunten D6/712
D362,570 S * 9/1995 Mulder D6/708.16



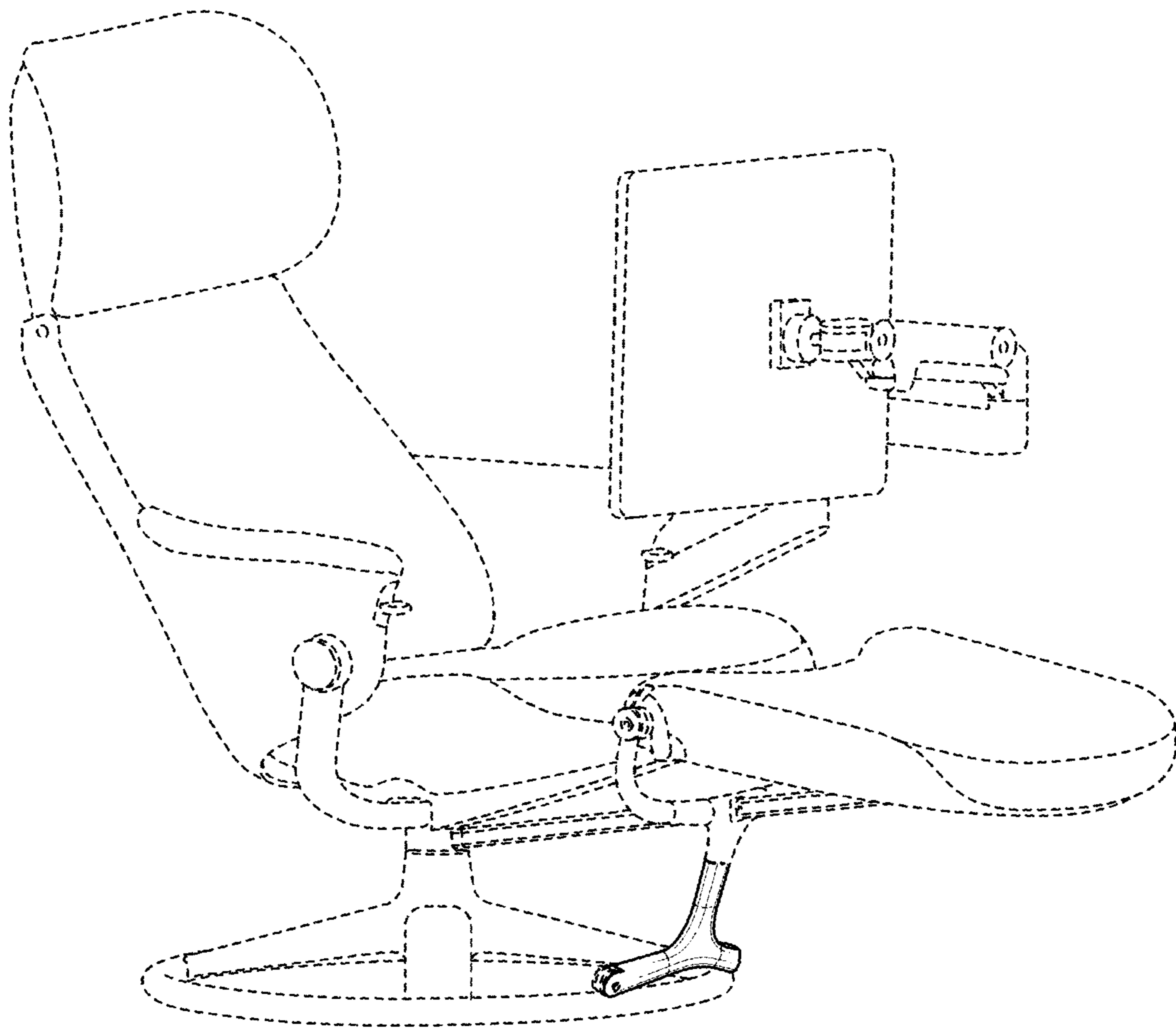


FIG. 1

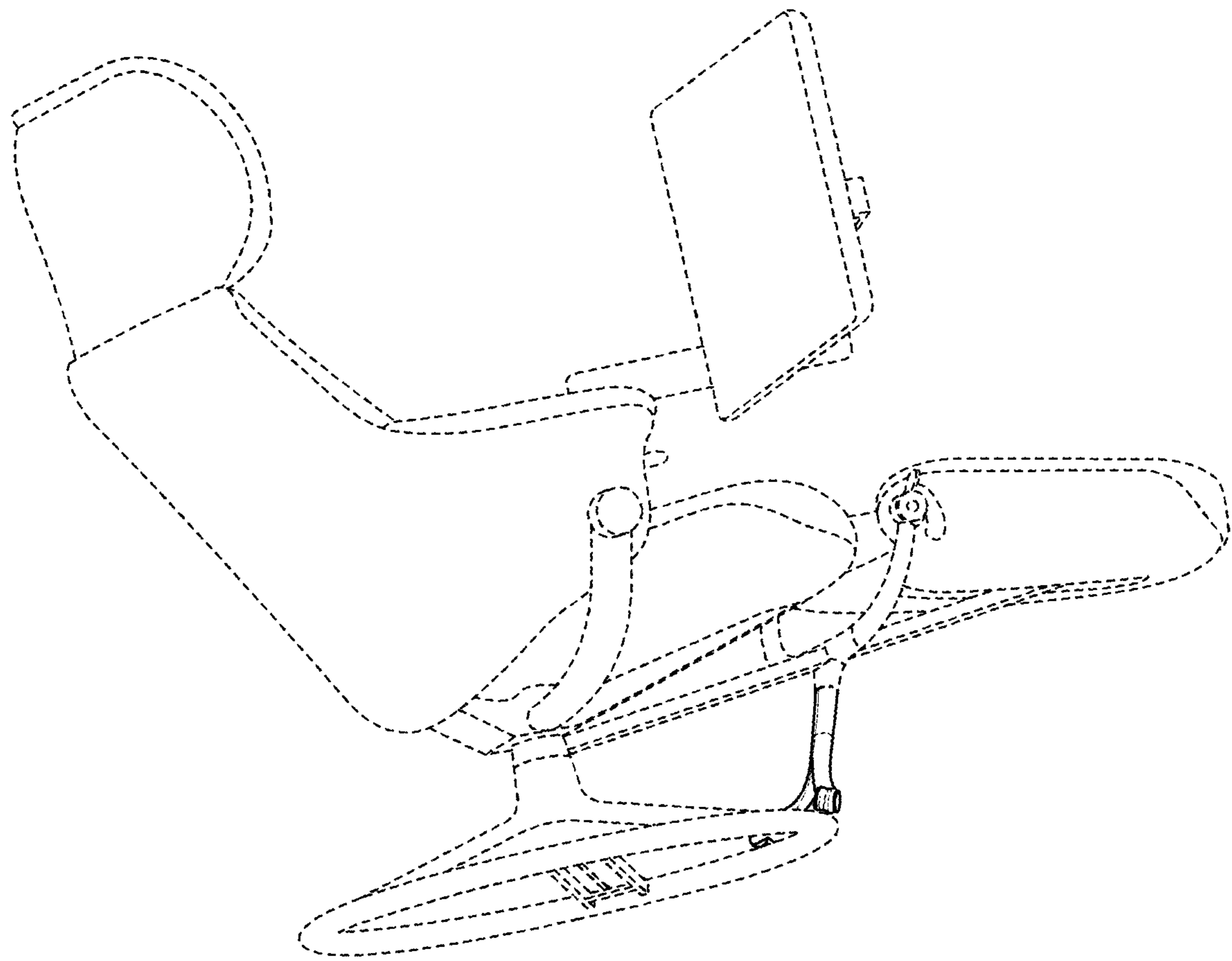


FIG. 2

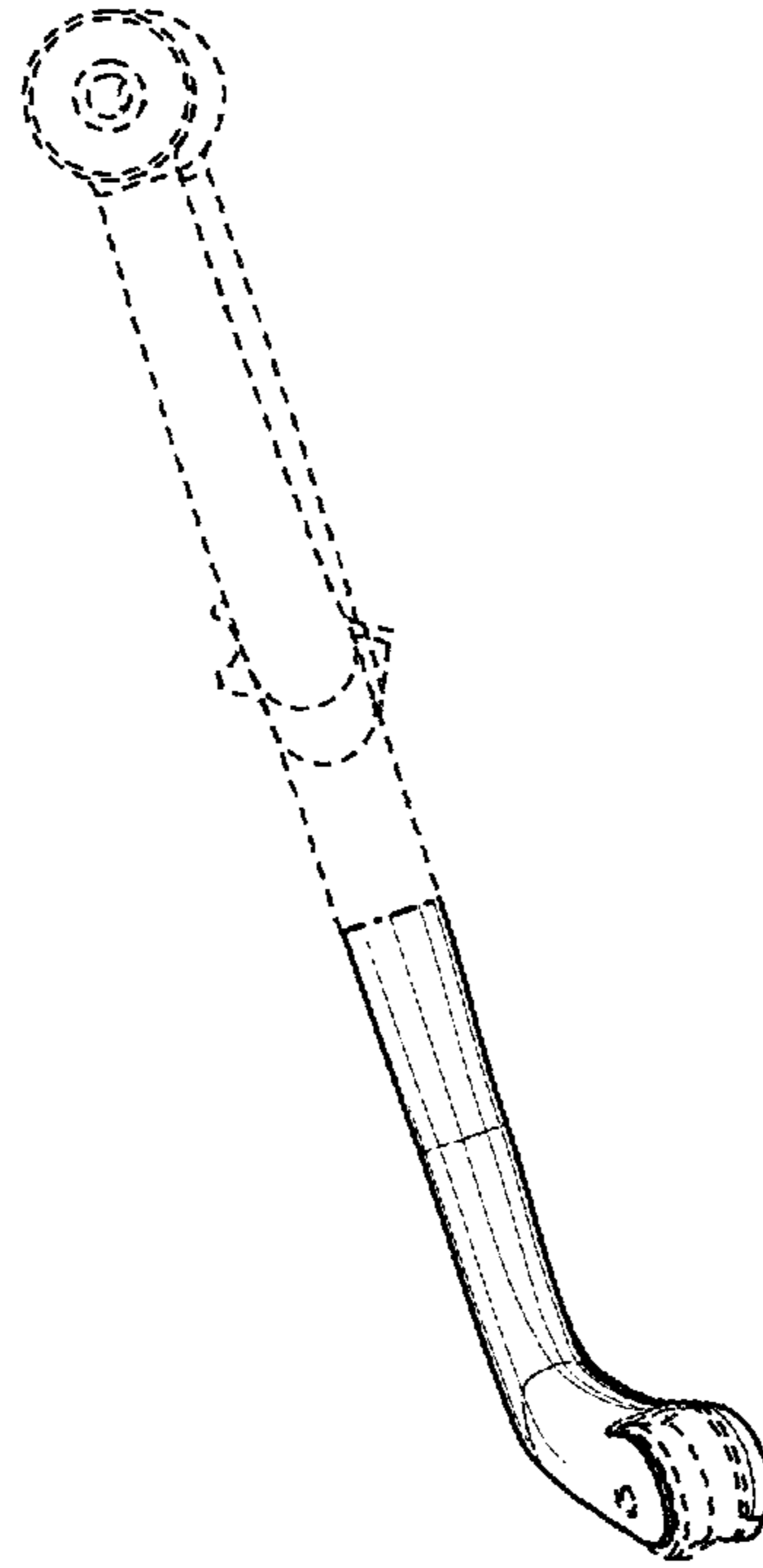


FIG. 3

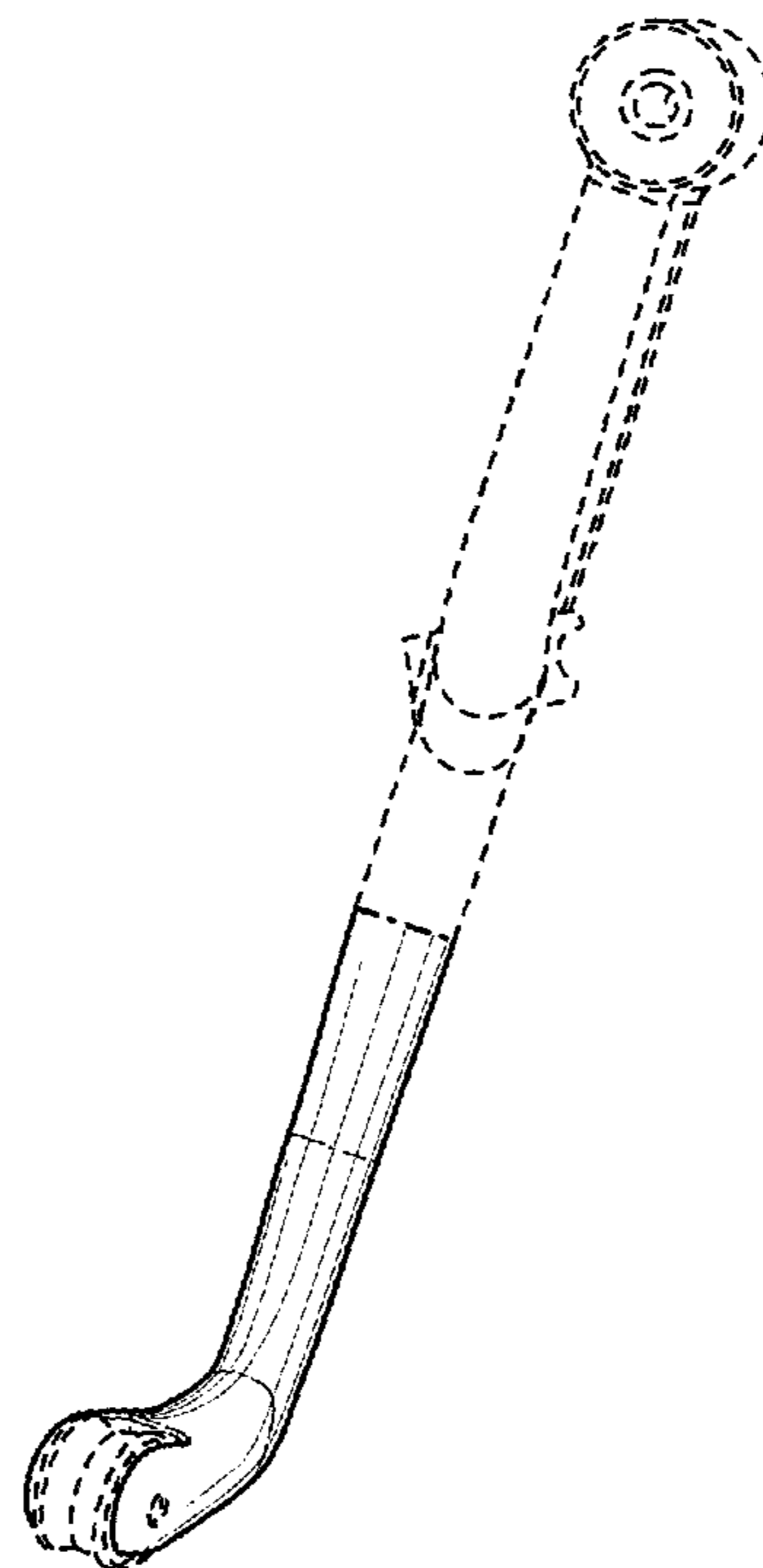


FIG. 4

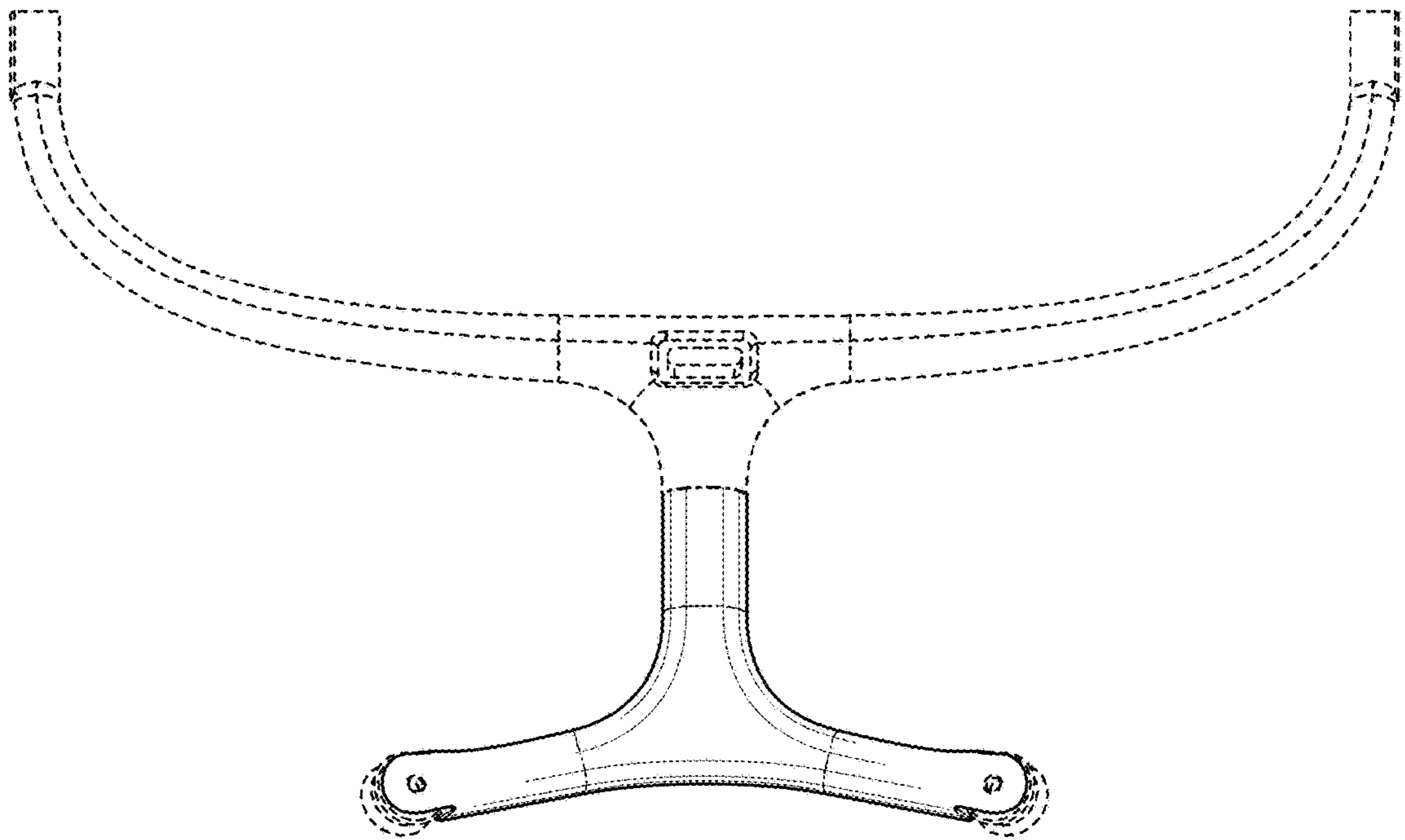


FIG. 5

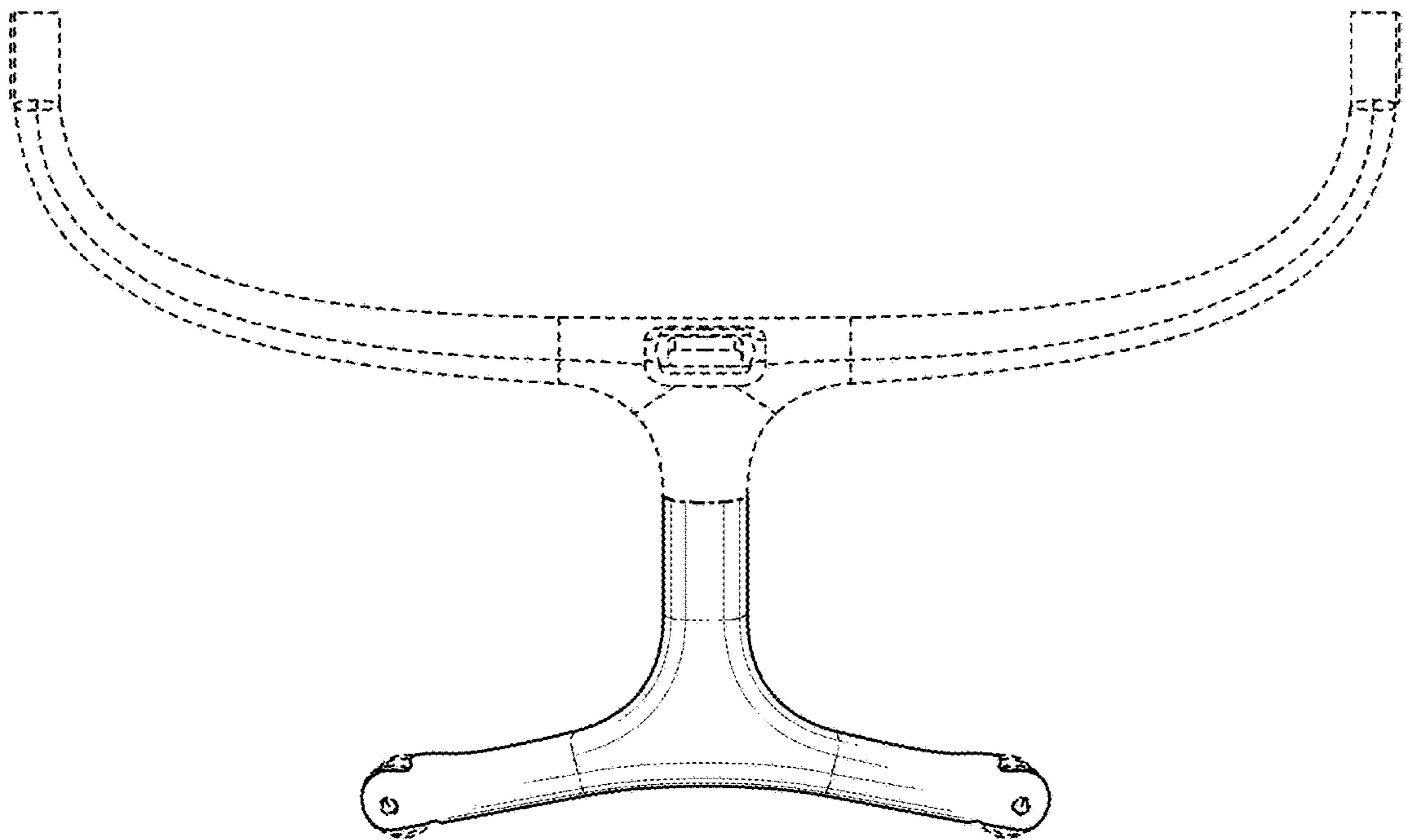


FIG. 6

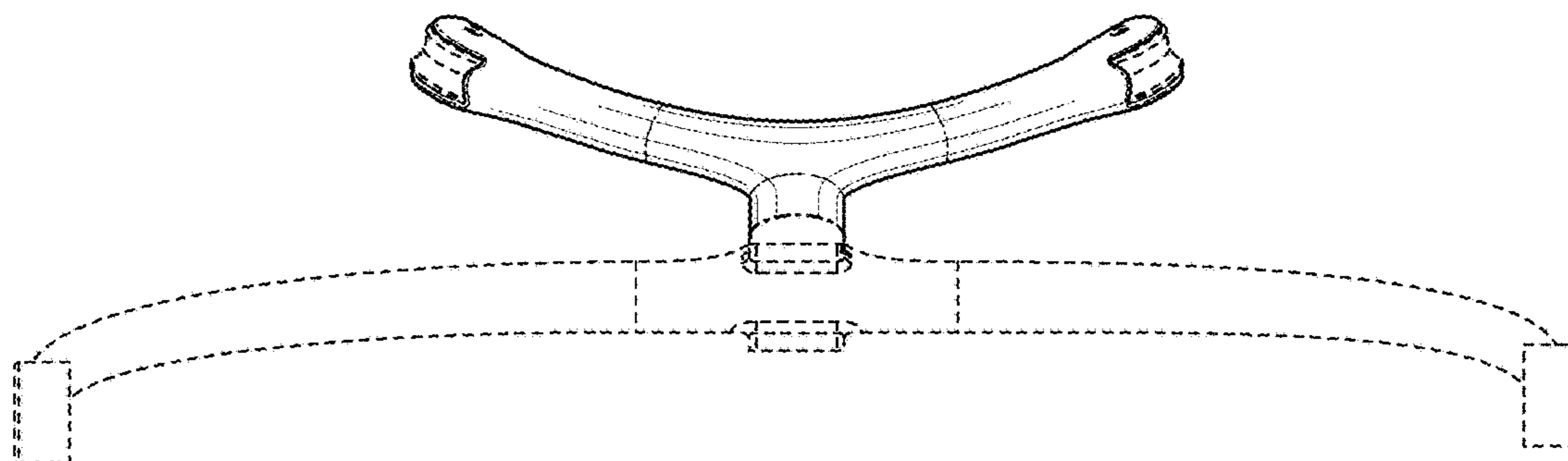


FIG. 7

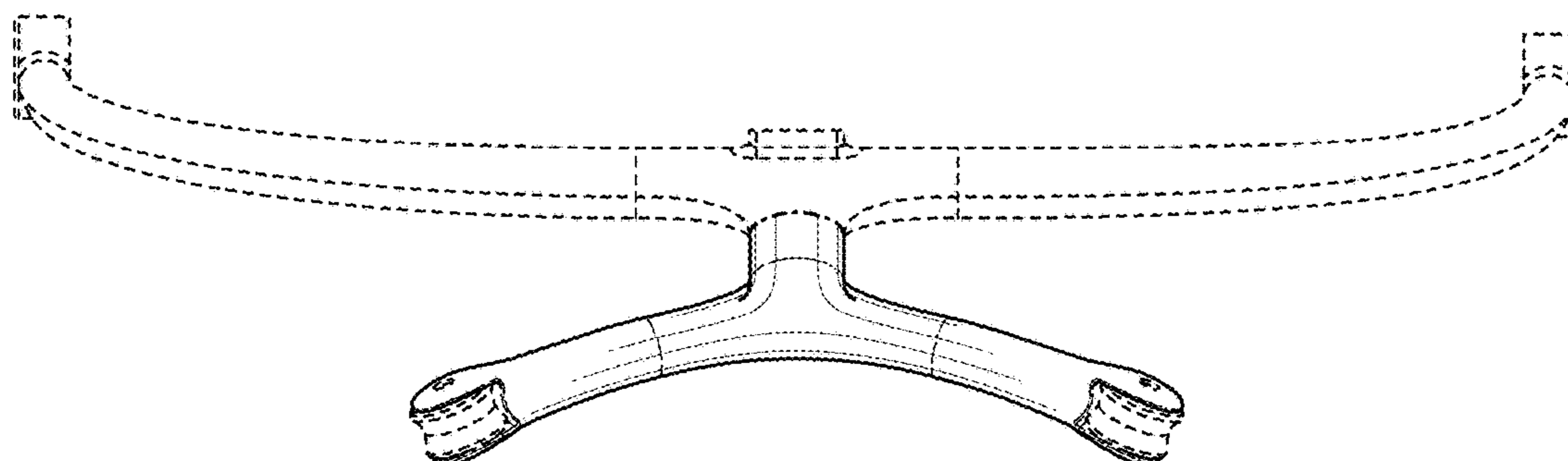


FIG. 8