



US00D808696S

(12) **United States Design Patent** (10) **Patent No.:** **US D808,696 S**
Lee (45) **Date of Patent:** **** Jan. 30, 2018**

(54) **PORCH SWING FRAME ORNAMENT**

(71) Applicant: **JBL INTERNATIONAL, INC,**
Houston, TX (US)

(72) Inventor: **Lawrence K. Lee,** Houston, TX (US)

(73) Assignee: **JBL INTERNATIONAL, INC,**
Houston, TX (US)

(**) Term: **15 Years**

(21) Appl. No.: **29/579,553**

(22) Filed: **Sep. 30, 2016**

(51) **LOC (11) Cl.** **06-06**

(52) **U.S. Cl.**
USPC **D6/702**

(58) **Field of Classification Search**
USPC D6/304, 309, 310, 313, 347, 382, 389,
D6/393, 394, 395, 702; D11/99, 108,
D11/121, 184

CPC A47G 33/08; B44C 5/04; Y10T 428/166
See application file for complete search history.

(56) **References Cited**

U.S. PATENT DOCUMENTS

D24,302 S *	5/1895	Wiessner	D6/393
D25,996 S *	9/1896	MoKaig	D6/718.25
D27,315 S *	7/1897	Gibson	D6/395
D30,341 S *	3/1899	Haggard	D6/718.19
1,589,018 A *	6/1926	Ludwig	A47G 33/08
				362/121
1,804,508 A *	5/1931	Nicholson	B44C 5/04
				427/197
D90,993 S *	11/1933	Norris	D11/99
D209,260 S *	11/1967	Kaye	D6/309
D278,419 S *	4/1985	Hill	D11/117
D286,347 S *	10/1986	Porro	D6/394
D340,147 S *	10/1993	Black	D6/393
D353,951 S *	1/1995	Ferguson	D6/393

D355,543 S *	2/1995	Schroeder	D6/388
D366,162 S *	1/1996	Paus	D6/393
D372,600 S *	8/1996	Paus	D6/393
D376,306 S *	12/1996	Kirschner	D8/305
D380,917 S *	7/1997	Keller	D6/300
D387,919 S *	12/1997	Keller	D6/393
D390,716 S *	2/1998	Oschmann	D6/335
D391,095 S *	2/1998	Walters, III	D6/389
D418,691 S *	1/2000	O'Hare	D6/389
D419,329 S *	1/2000	Cain	D6/389
D420,234 S *	2/2000	Zaidman	D6/718.19
D429,434 S *	8/2000	Walters-Dowding	D6/718.19
D441,560 S *	5/2001	McDaniel	D6/393
D458,472 S *	6/2002	Risdon	D6/393

(Continued)

Primary Examiner — Kevin K Rudzinski

Assistant Examiner — Paul D Bohannon

(74) *Attorney, Agent, or Firm* — Egbert Law Offices,
PLLC

(57) **CLAIM**

The ornamental design for a porch swing frame ornament, as shown and described.

DESCRIPTION

FIG. 1 is a perspective view of a porch swing frame ornament showing my new design.

FIG. 2 is a front view thereof, a rear view being identical; FIG. 3 is a side view thereof, an opposite side view being identical;

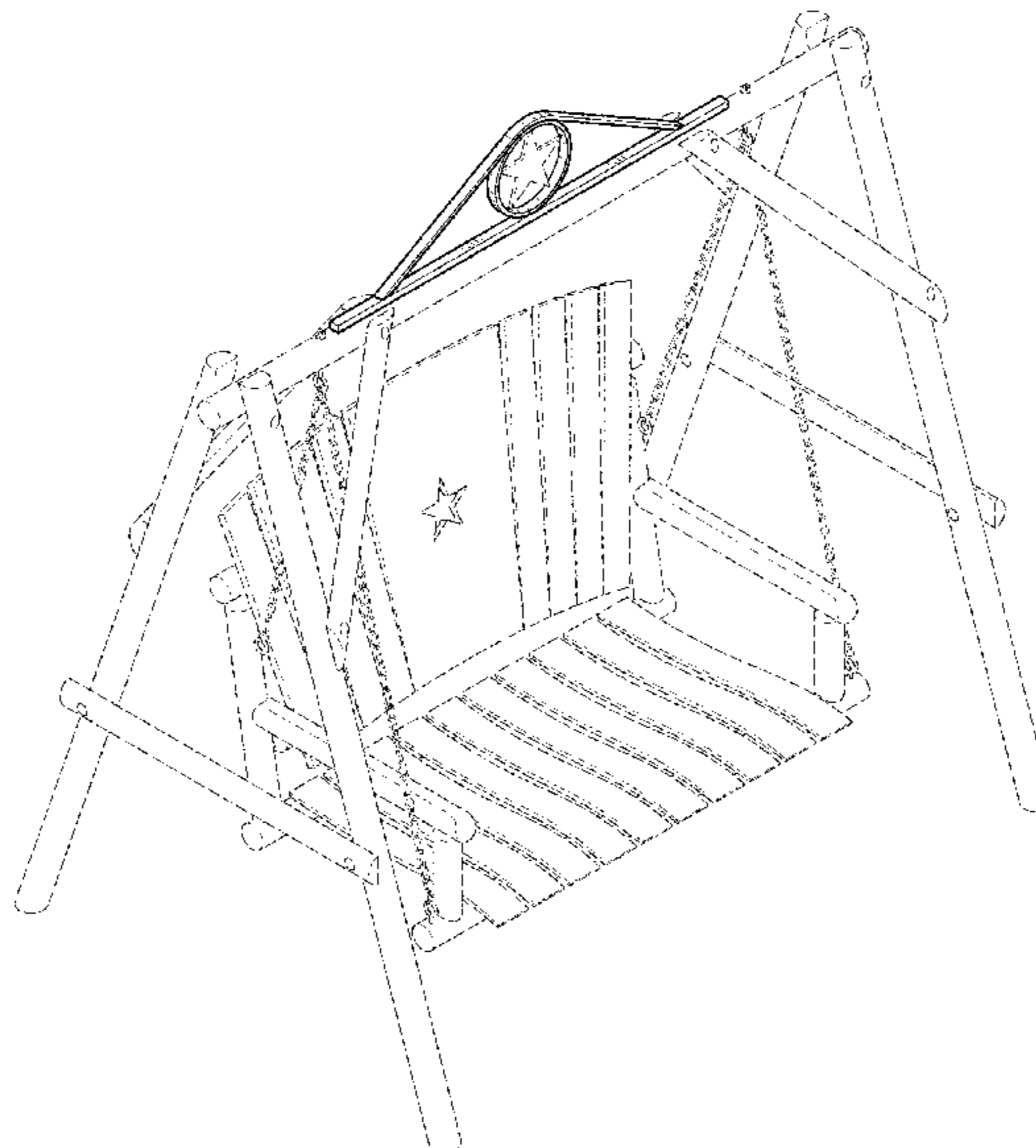
FIG. 4 is a top view thereof;

FIG. 5 is a bottom view thereof; and,

FIG. 6 is a perspective view of a second embodiment of the porch swing frame ornament having longer end portions.

The porch swing frame and porch swing presented in broken lines represent environmental matter and form no part of the claimed design. The star shape presented in broken lines illustrates a portion of the article and forms no part of the claimed design.

1 Claim, 3 Drawing Sheets



(56)

References Cited

U.S. PATENT DOCUMENTS

D462,847 S * 9/2002 Risdon D6/393
D470,331 S * 2/2003 Stanton D6/393
D481,219 S * 10/2003 Paus D6/393
D499,912 S * 12/2004 Mohundro D6/718.22
D573,291 S * 7/2008 Zheng D26/67
D583,598 S * 12/2008 Schmitt D6/718.19
D732,697 S * 6/2015 Stanislaysky D25/103
D787,851 S * 5/2017 Hoff D6/393

* cited by examiner

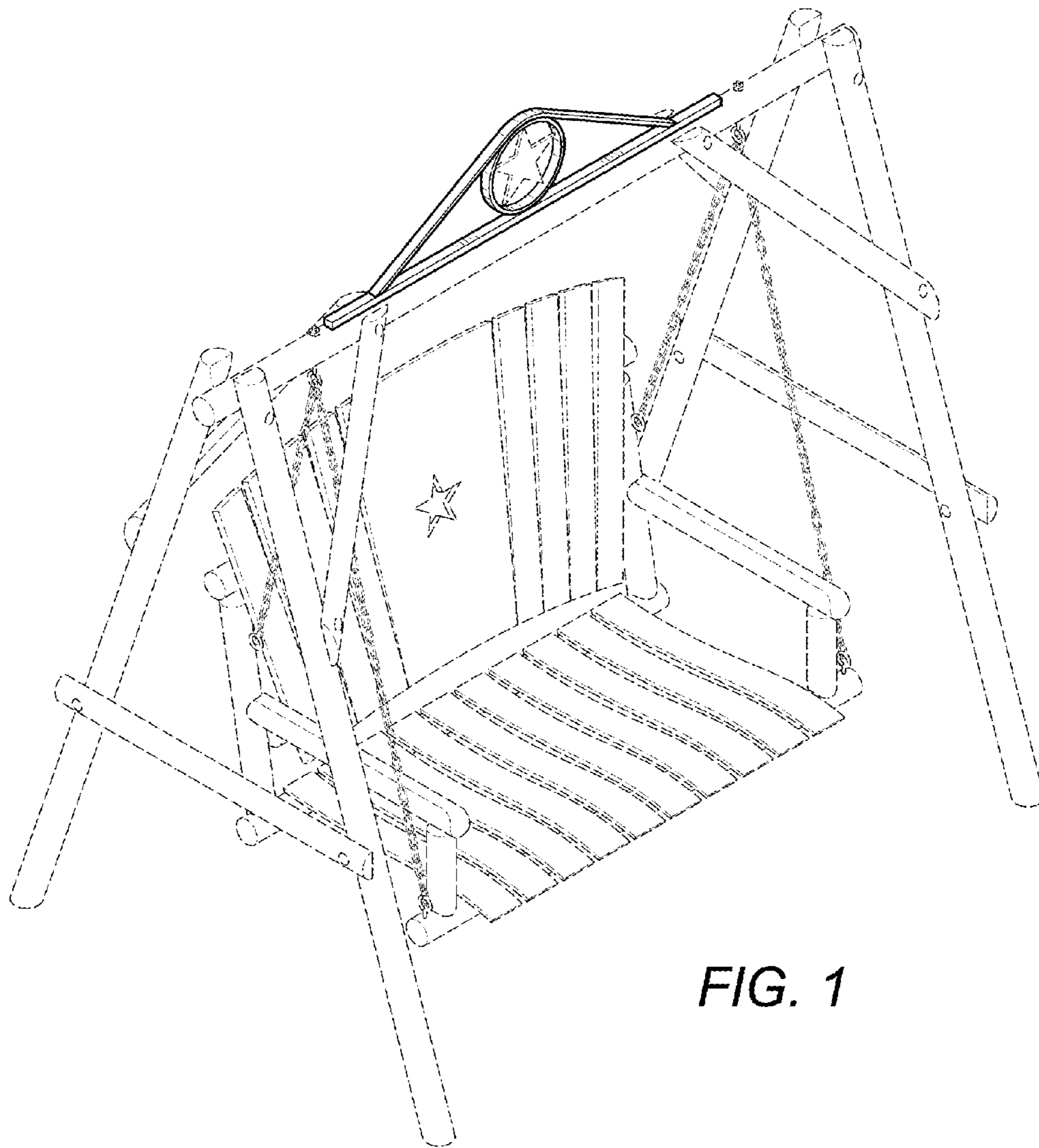


FIG. 1

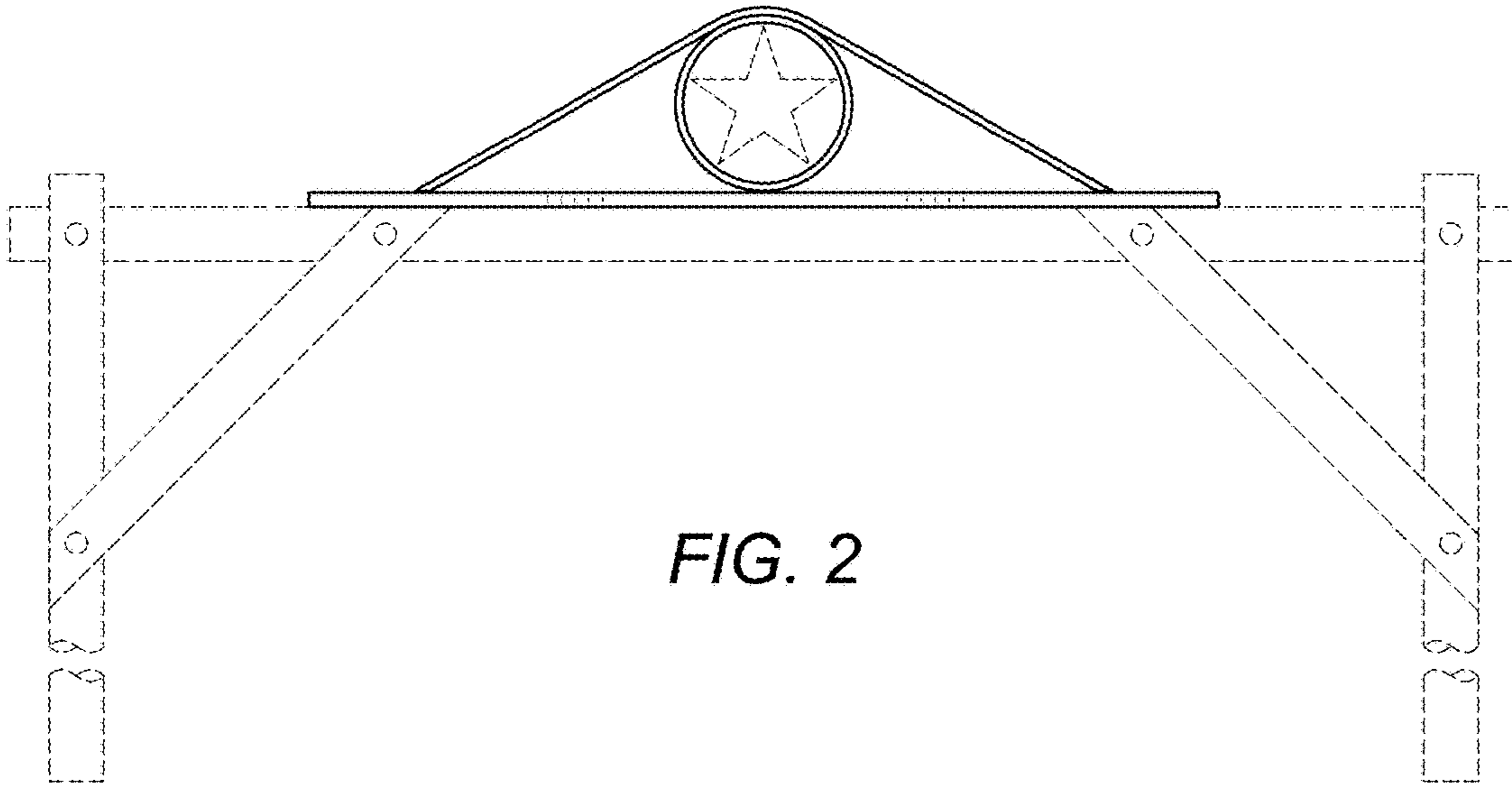


FIG. 2

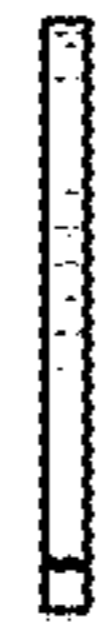


FIG. 3

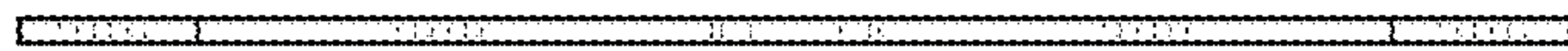


FIG. 4

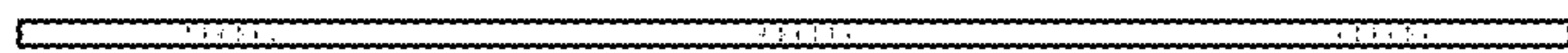


FIG. 5

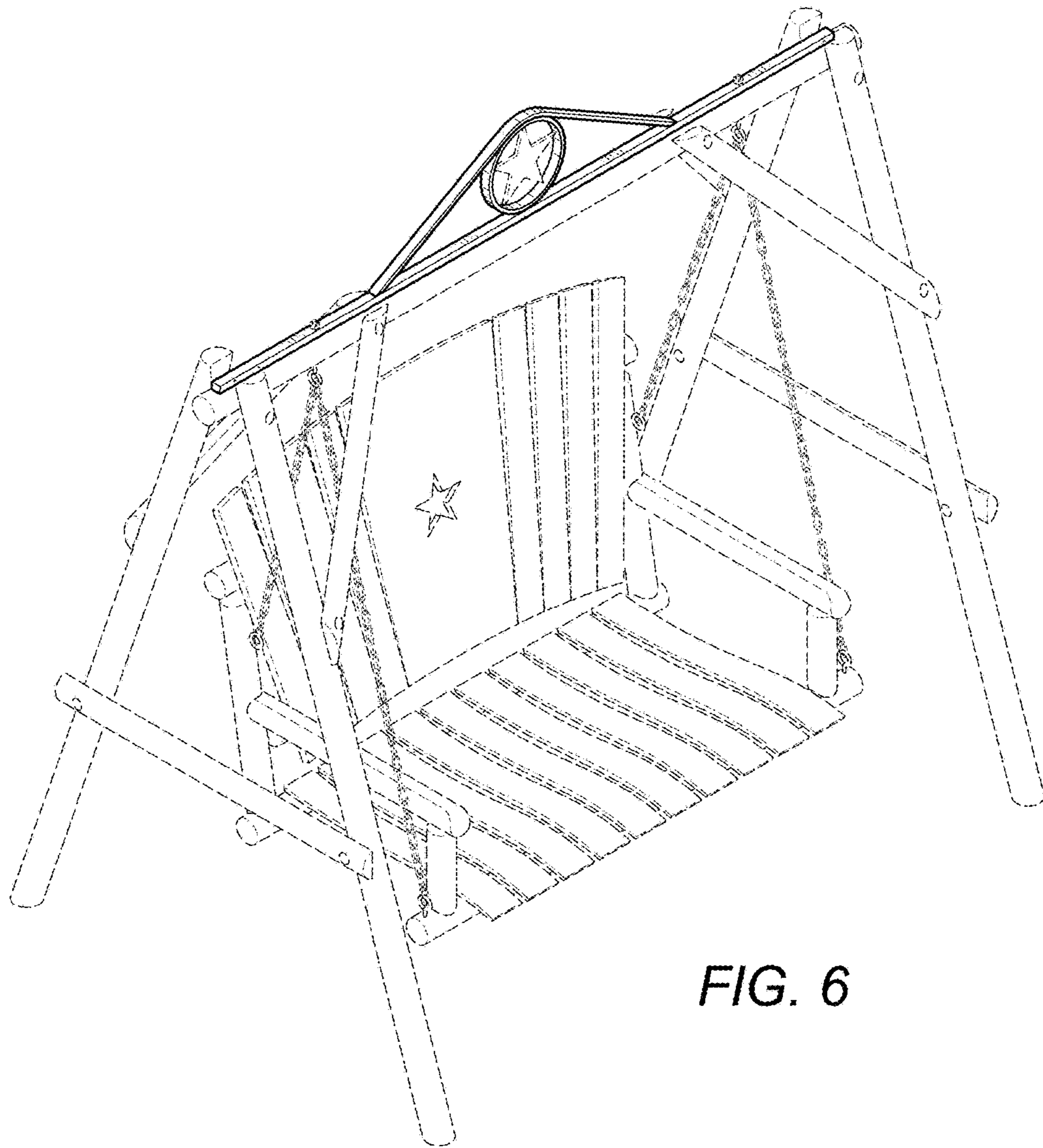


FIG. 6