



US00D808695S

(12) **United States Design Patent**  
**MacAllen et al.**

(10) **Patent No.: US D808,695 S**  
(45) **Date of Patent: \*\* Jan. 30, 2018**

(54) **COLLAPSIBLE TABLE**

- (71) Applicant: **molo design, ltd.**, Vancouver (CA)
- (72) Inventors: **Todd P. MacAllen**, Vancouver (CA);  
**Stephanie J. Forsythe**, Vancouver (CA)
- (73) Assignee: **molo design, ltd.**, Vancouver (CA)
- (\*\*) Term: **15 Years**
- (21) Appl. No.: **29/533,573**
- (22) Filed: **Jul. 20, 2015**
- (51) **LOC (11) Cl.** ..... **06-03**
- (52) **U.S. Cl.**  
USPC ..... **D6/692.3**
- (58) **Field of Classification Search**  
USPC ..... D6/641, 642, 645, 656, 656.1, 656.15,  
D6/685, 686, 688, 690, 692, 692.3, 708,  
D6/708.16, 708.17

(Continued)

(56) **References Cited**

U.S. PATENT DOCUMENTS

- 2,346,824 A \* 4/1944 Cohen ..... A01G 5/04  
156/197
- 2,556,362 A \* 6/1951 Crumpler ..... A47B 3/00  
108/64

(Continued)

*Primary Examiner* — John Windmuller  
*Assistant Examiner* — Steven Czyz  
 (74) *Attorney, Agent, or Firm* — Blake, Cassels &  
 Graydon LLP; Wilfred P. So

(57) **CLAIM**

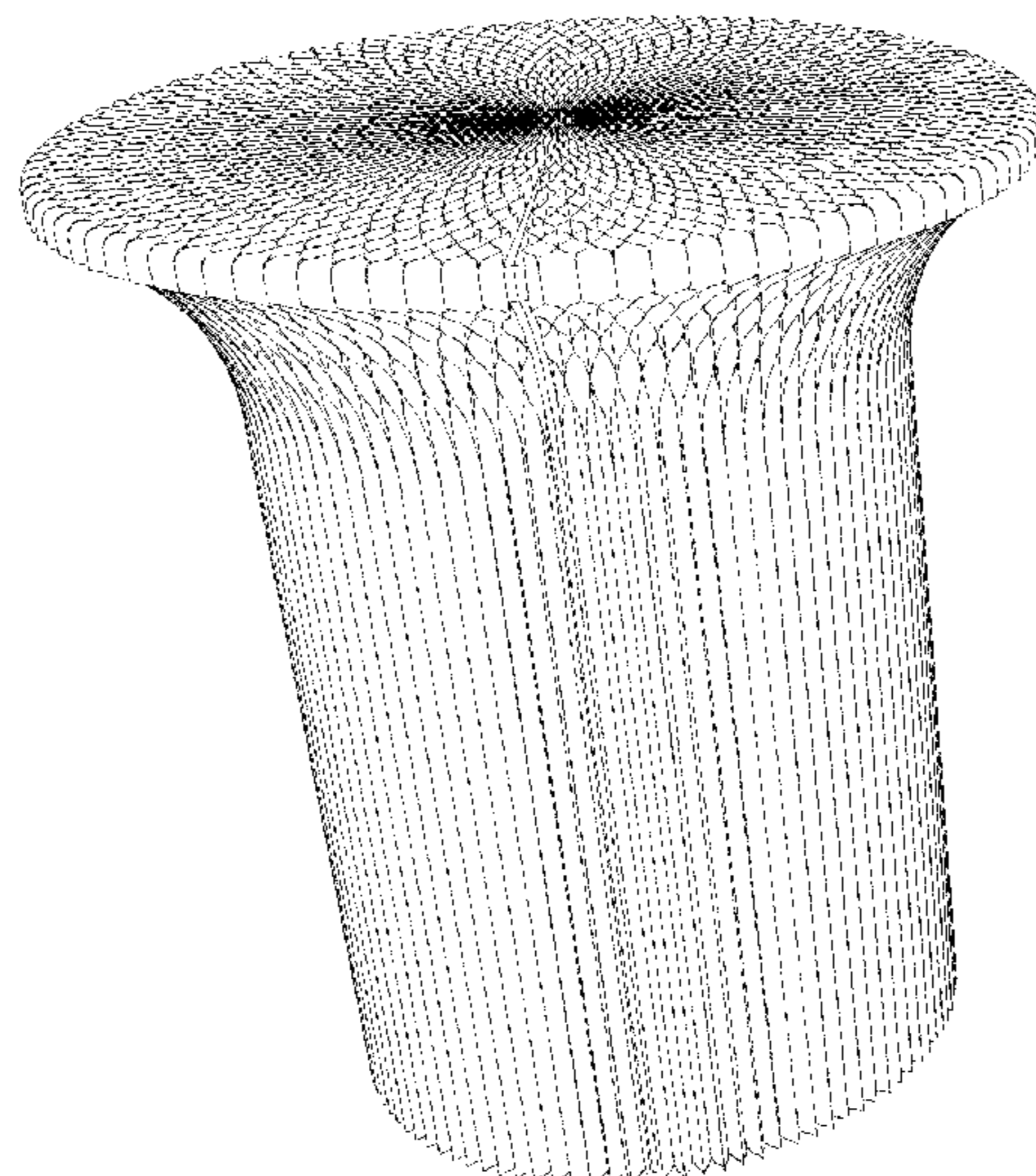
The ornamental design for a collapsible table, substantially as shown and described.

**DESCRIPTION**

FIG. 1 is a perspective view of a collapsible table.

FIG. 2 is a left side view of the collapsible table shown in FIG. 1.  
 FIG. 3 is a right side view of the collapsible table shown in FIG. 1.  
 FIG. 4 is a top view of the collapsible table shown in FIG. 1.  
 FIG. 5 is a perspective view of the collapsible table shown in FIG. 1 shown in a partially collapsed state.  
 FIG. 6 is a perspective view of the collapsible table shown in FIG. 1 shown in a collapsed state.  
 FIG. 7 is a left side view of the collapsible table shown in the collapsed state of FIG. 6.  
 FIG. 8 is a front view of the collapsible table shown in the collapsed state of FIG. 6.  
 FIG. 9 is a top view of the collapsible table shown in the collapsed state of FIG. 6.  
 FIG. 10 is a perspective view of a second embodiment of a collapsible table.  
 FIG. 11 is a left side view of the collapsible table according to the second embodiment.  
 FIG. 12 is a right side view of the collapsible table according to the second embodiment.  
 FIG. 13 is a top view of the collapsible table according to the second embodiment.  
 FIG. 14 is a perspective view of the collapsible table according to the second embodiment shown in a partially collapsed state.  
 FIG. 15 is a perspective view of the collapsible table according to the second embodiment shown in a collapsed state.  
 FIG. 16 is a front view of the collapsible table according to the second embodiment shown in the collapsed state.  
 FIG. 17 is a left side view of the collapsible table according to the second embodiment shown in the collapsed state; and, FIG. 18 is a top view of the collapsible table according to the second embodiment shown in the collapsed state.  
 The broken lines show portions of the article which form no part of the claimed design.

**1 Claim, 10 Drawing Sheets**



US D808,695 S

(58) **Field of Classification Search**  
CPC .... A47B 1/00; A47B 1/08; A47B 3/00; A47B  
3/002; A47B 3/06; A47B 2200/0035  
See application file for complete search history.

(56) **References Cited**

U.S. PATENT DOCUMENTS

3,170,831 A \* 2/1965 Paige ..... A47G 33/08  
362/123  
3,438,345 A \* 4/1969 Otey ..... A47B 3/00  
108/115  
3,625,195 A \* 12/1971 Grail ..... A47B 3/00  
108/115  
3,683,825 A \* 8/1972 Sheldon ..... A47B 3/00  
108/176  
3,705,556 A \* 12/1972 Kelly ..... A47B 3/00  
108/147.22  
3,705,557 A \* 12/1972 Budington ..... A47B 3/00  
108/150  
D225,935 S \* 1/1973 Kienel ..... D6/692  
3,788,700 A \* 1/1974 Wartes ..... A47B 3/00  
108/101  
3,837,719 A \* 9/1974 Barron ..... A47B 3/00  
108/115  
3,940,100 A \* 2/1976 Haug ..... A47B 3/00  
248/165  
3,975,882 A \* 8/1976 Walter ..... E04C 2/40  
156/210  
4,046,084 A \* 9/1977 Hosford ..... A47B 3/00  
108/173  
4,078,502 A \* 3/1978 Barna, IV ..... A47B 3/06  
108/150  
4,138,951 A \* 2/1979 Nelson ..... A47B 3/00  
108/115  
4,267,998 A \* 5/1981 Weirich ..... A47B 3/06  
108/158.12  
D267,139 S \* 12/1982 Hanaford ..... 428/542.6  
4,508,038 A \* 4/1985 Tulenko, Jr. .... A47B 3/00  
108/135

4,579,066 A \* 4/1986 Zeigler ..... A47B 3/00  
108/115  
4,632,345 A \* 12/1986 Barley ..... A47B 3/00  
108/180  
4,809,619 A \* 3/1989 Piretti ..... A47B 3/00  
108/115  
5,406,760 A \* 4/1995 Edwards ..... E04B 2/7416  
160/351  
5,903,992 A \* 5/1999 Eisenberg ..... G09F 1/12  
40/605  
D415,634 S \* 10/1999 Lin ..... D6/692.3  
D453,082 S \* 1/2002 Kobe ..... D6/641  
6,427,409 B2 \* 8/2002 Colson ..... E04B 9/00  
160/84.05  
6,527,895 B1 \* 3/2003 Palmer ..... E06B 9/262  
156/193  
D480,885 S \* 10/2003 Martin ..... D6/349  
6,755,453 B2 \* 6/2004 Kellas ..... B60R 19/42  
188/377  
6,764,200 B1 \* 7/2004 Wu Liu ..... A47G 33/0836  
362/352  
D562,599 S \* 2/2008 Everson ..... D6/692.3  
D586,228 S \* 2/2009 McWillis ..... D6/674  
D613,096 S \* 4/2010 Stoepker ..... D6/692.3  
7,866,366 B2 \* 1/2011 MacAllen ..... A47C 4/04  
108/157.14  
D644,857 S \* 9/2011 Unterrainer ..... D6/692.3  
D663,969 S \* 7/2012 Hundley ..... D6/677  
D692,263 S \* 10/2013 Pozzi ..... D6/692.3  
D776,963 S \* 1/2017 Baylar ..... D6/692  
D781,087 S \* 3/2017 Marandel ..... D6/688  
2003/0107255 A1 \* 6/2003 Willy ..... A47B 3/06  
297/440.13  
2009/0151877 A1 \* 6/2009 MacAllen ..... A47C 4/04  
160/135  
2010/0001557 A1 \* 1/2010 Valaei Khiabani ..... A47B 3/14  
297/141  
2013/0099547 A1 \* 4/2013 McAdam ..... A47B 3/002  
297/452.1  
2015/0305491 A1 \* 10/2015 Orsini ..... A47B 3/06  
108/116

\* cited by examiner

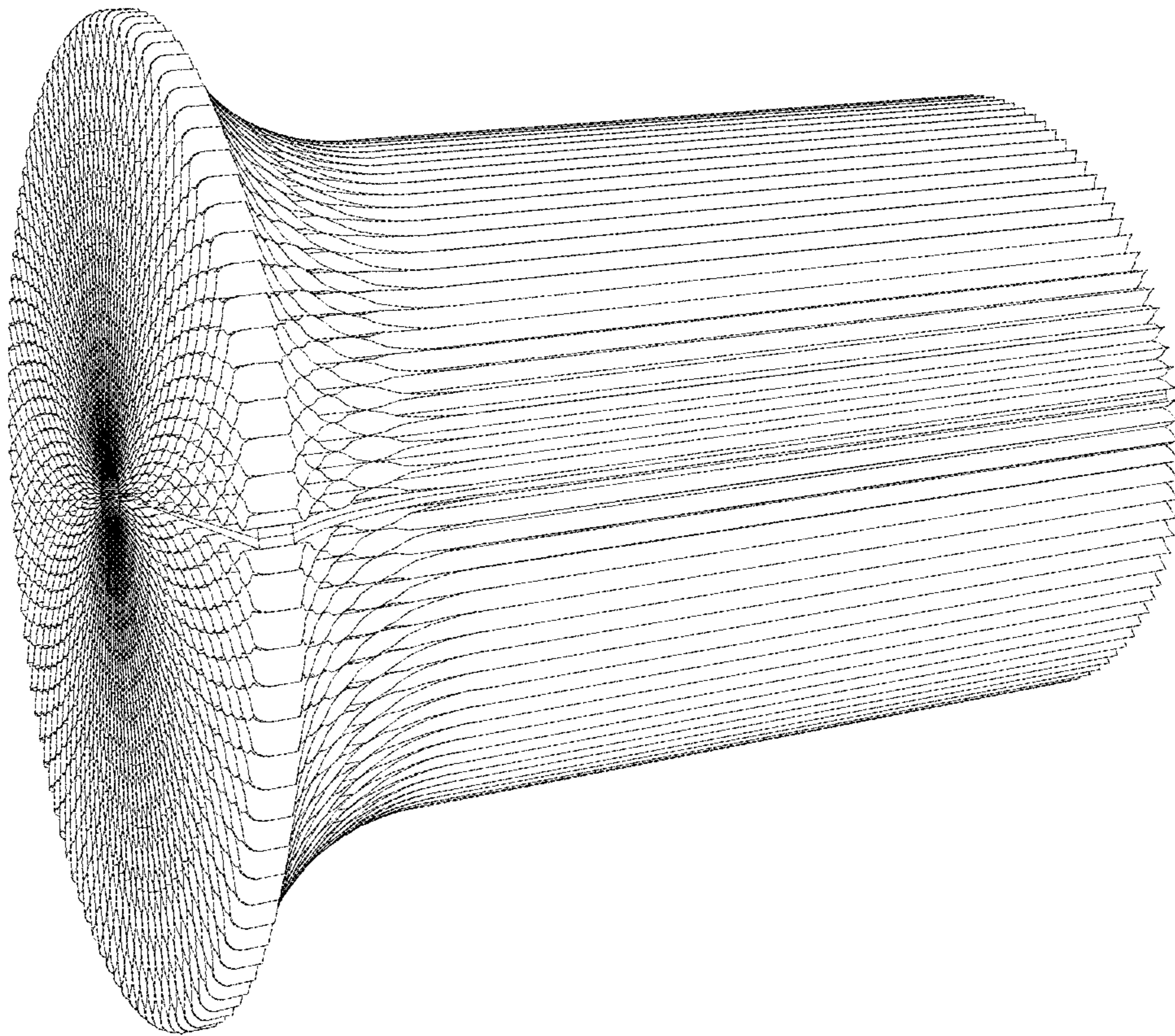


FIG. 1

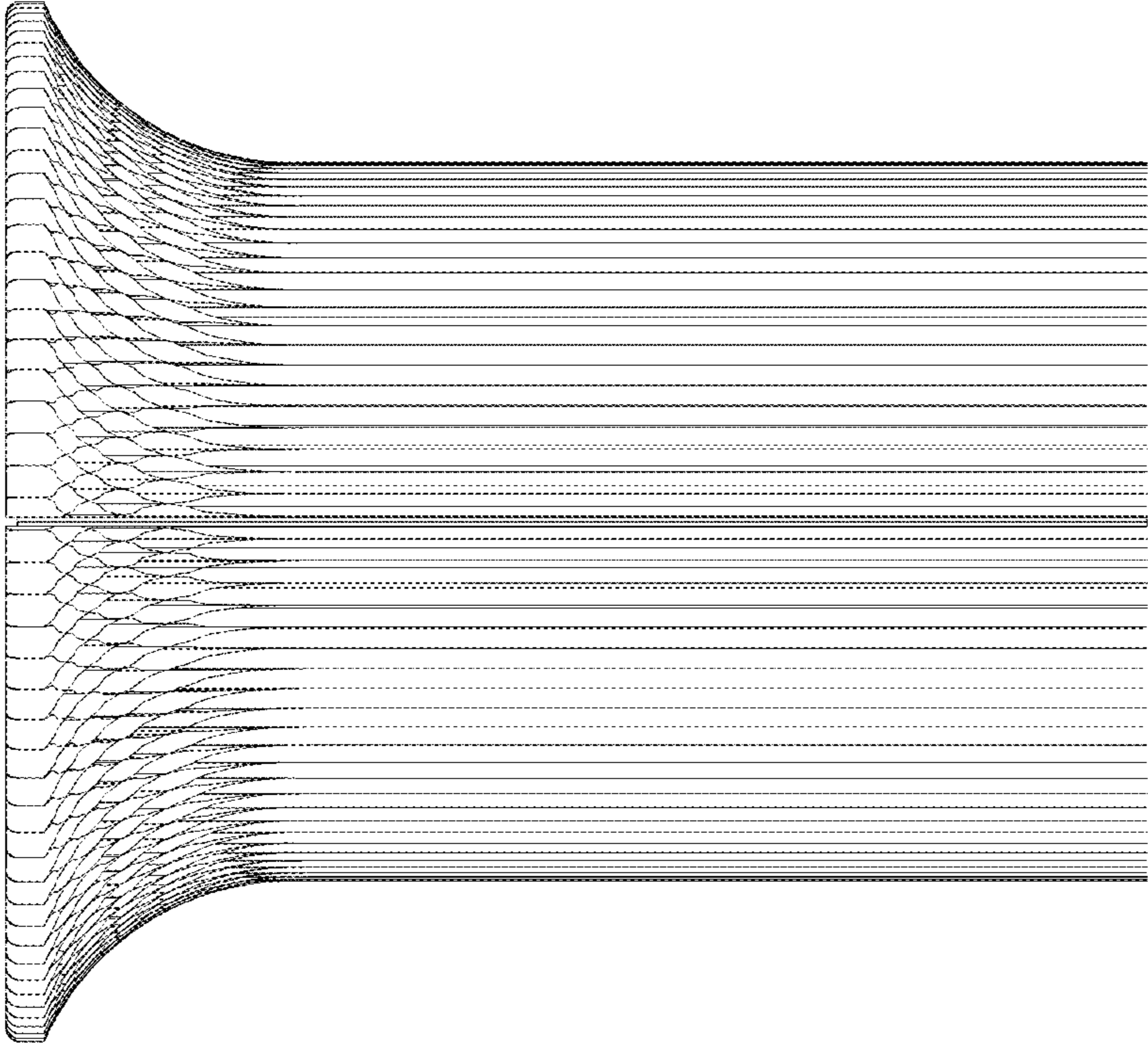


FIG. 3

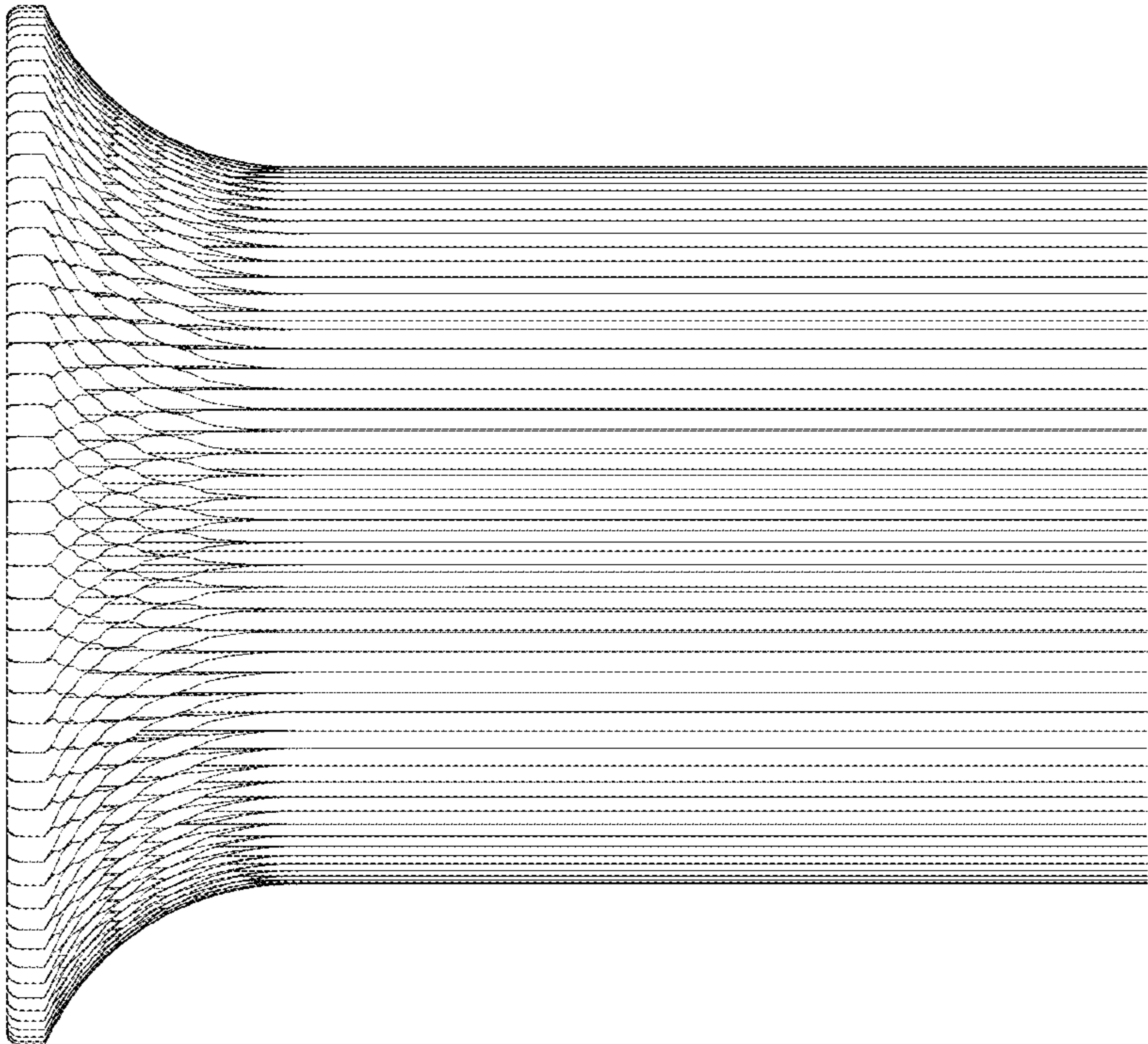


FIG. 2

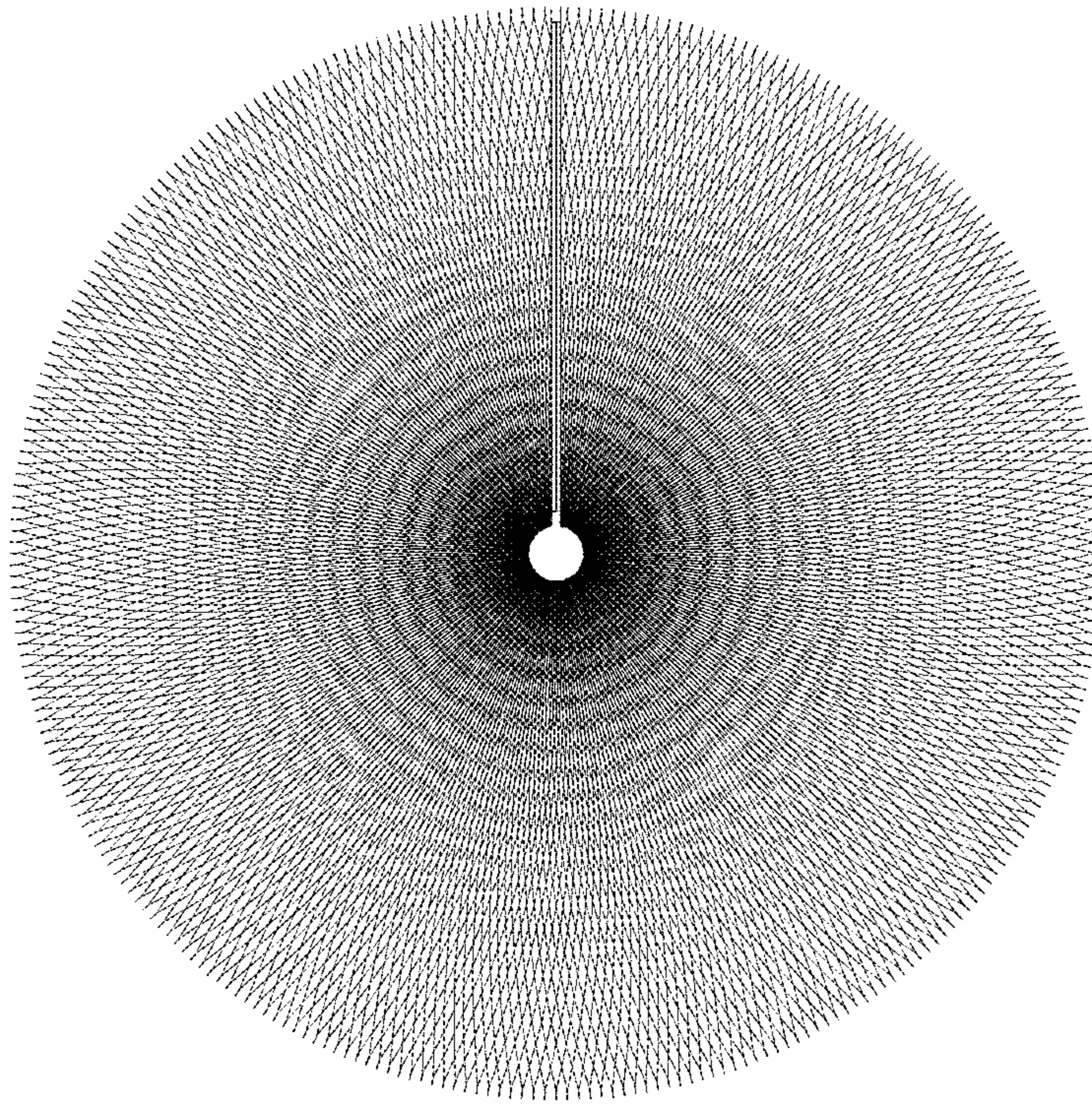


FIG. 4

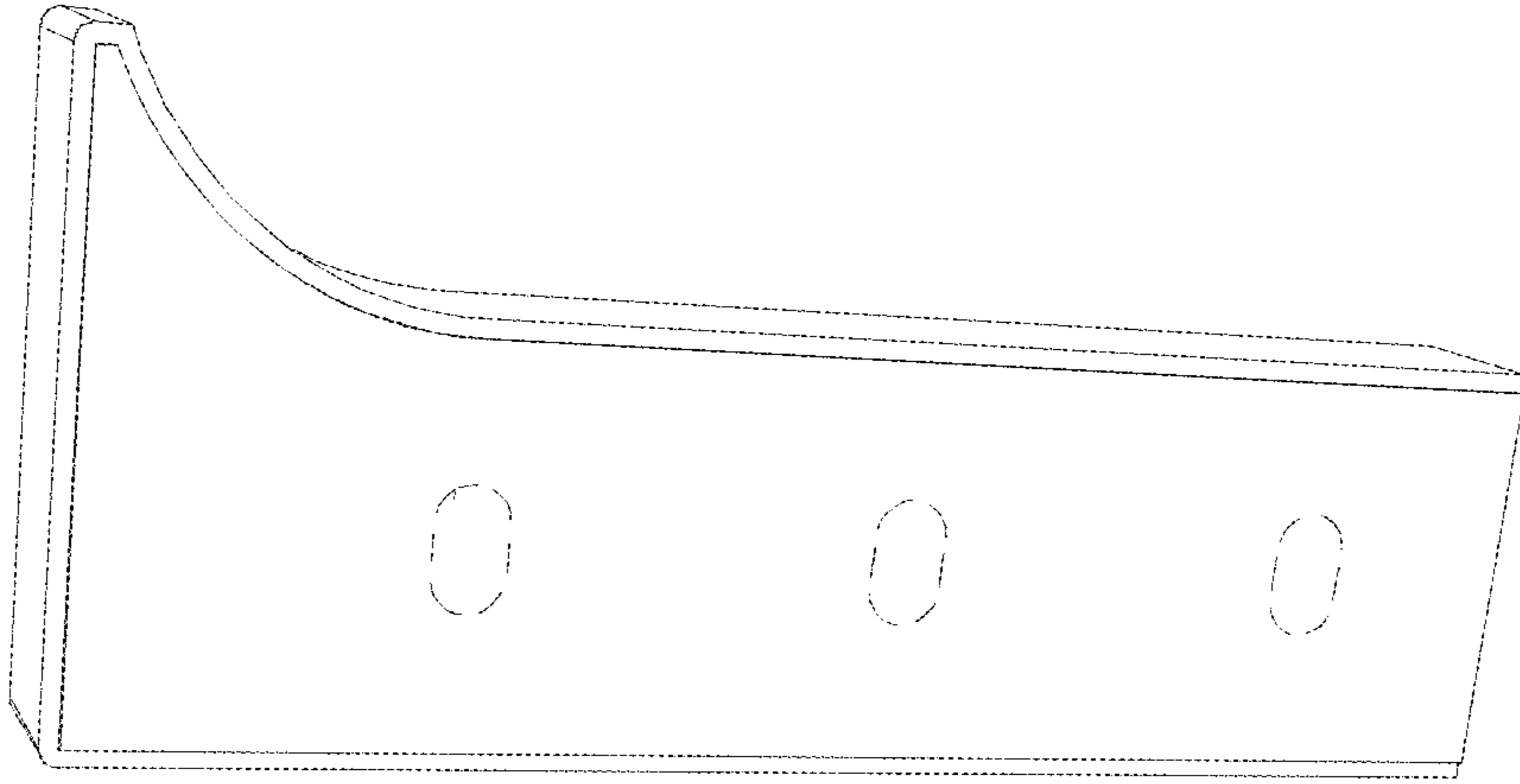


FIG. 6

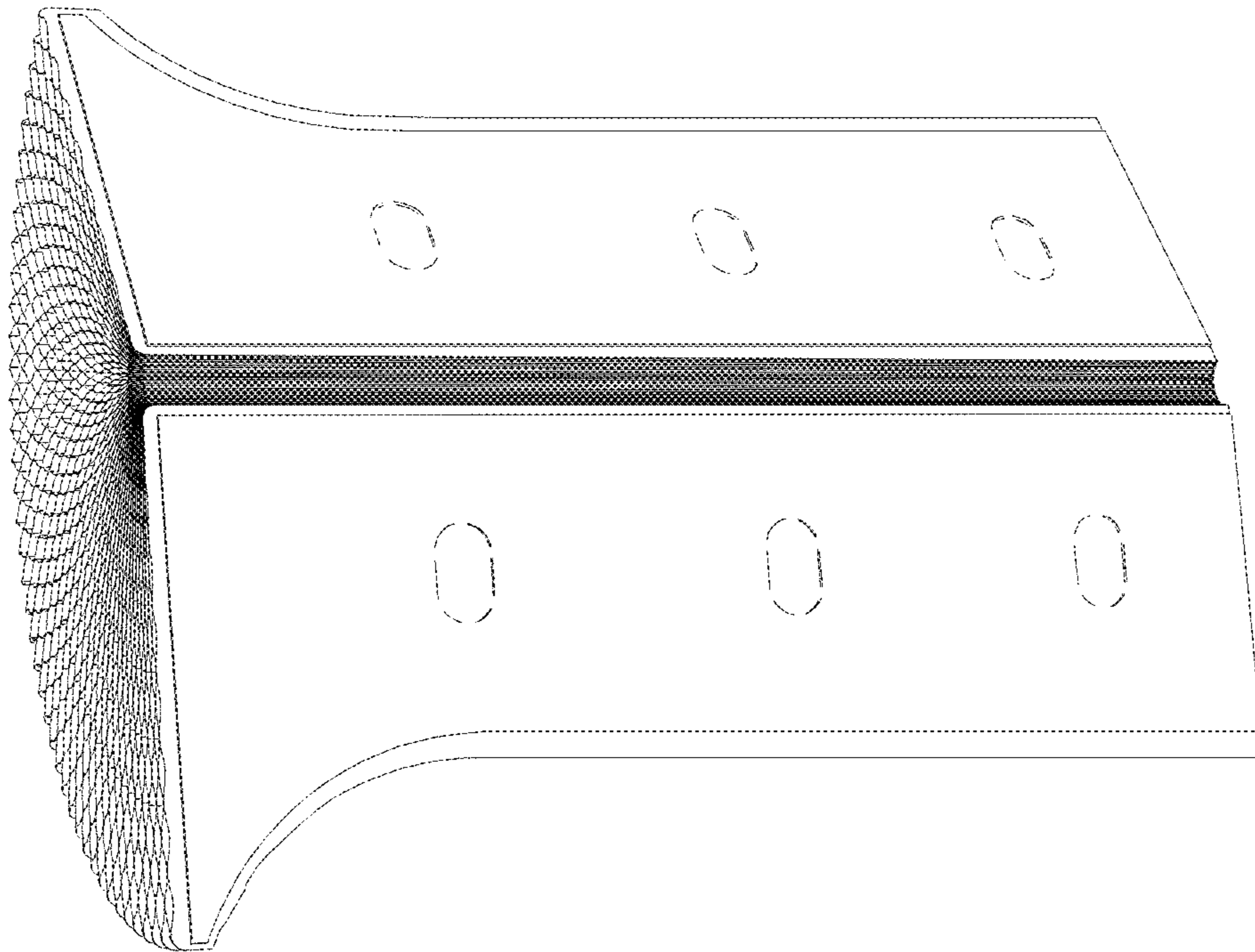


FIG. 5



FIG. 7

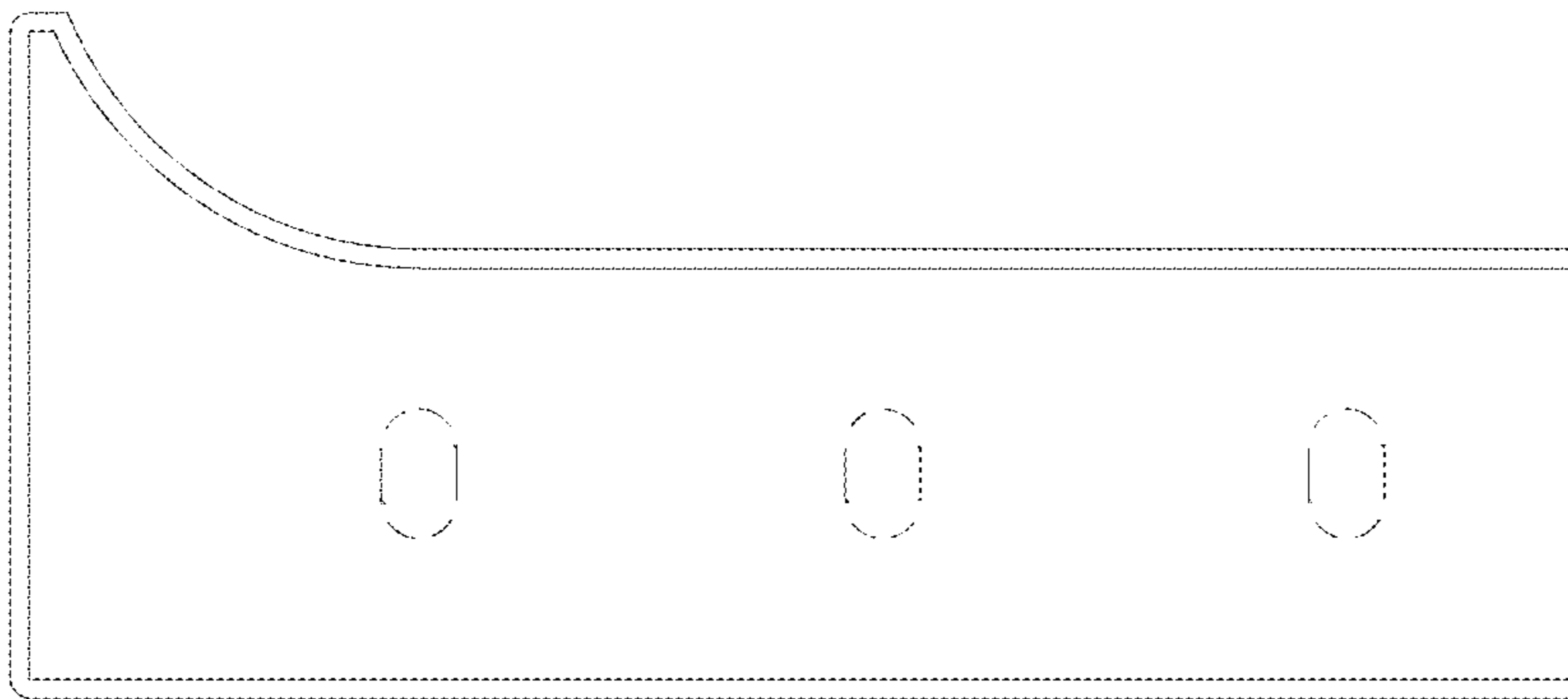


FIG. 8

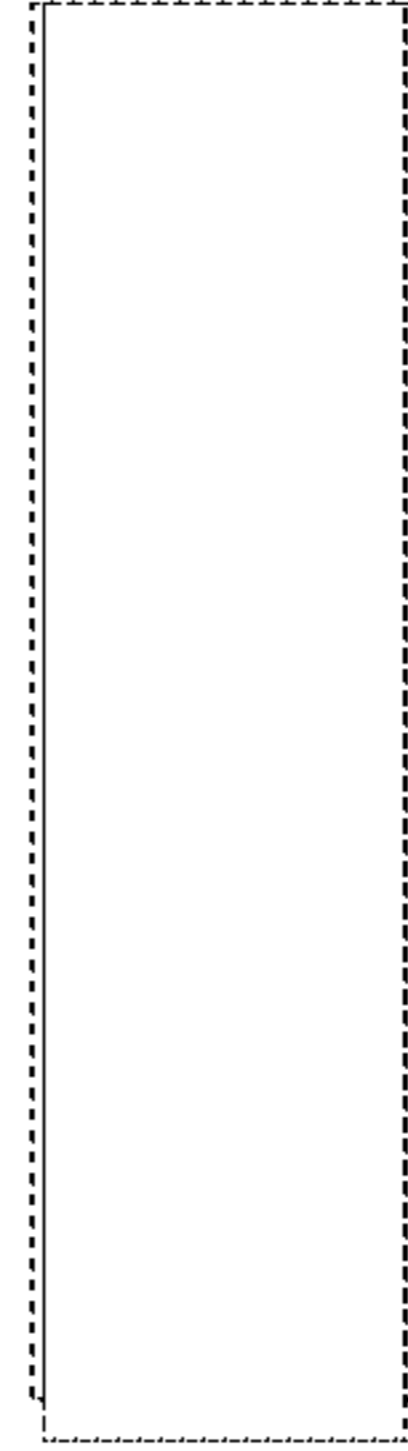


FIG. 9

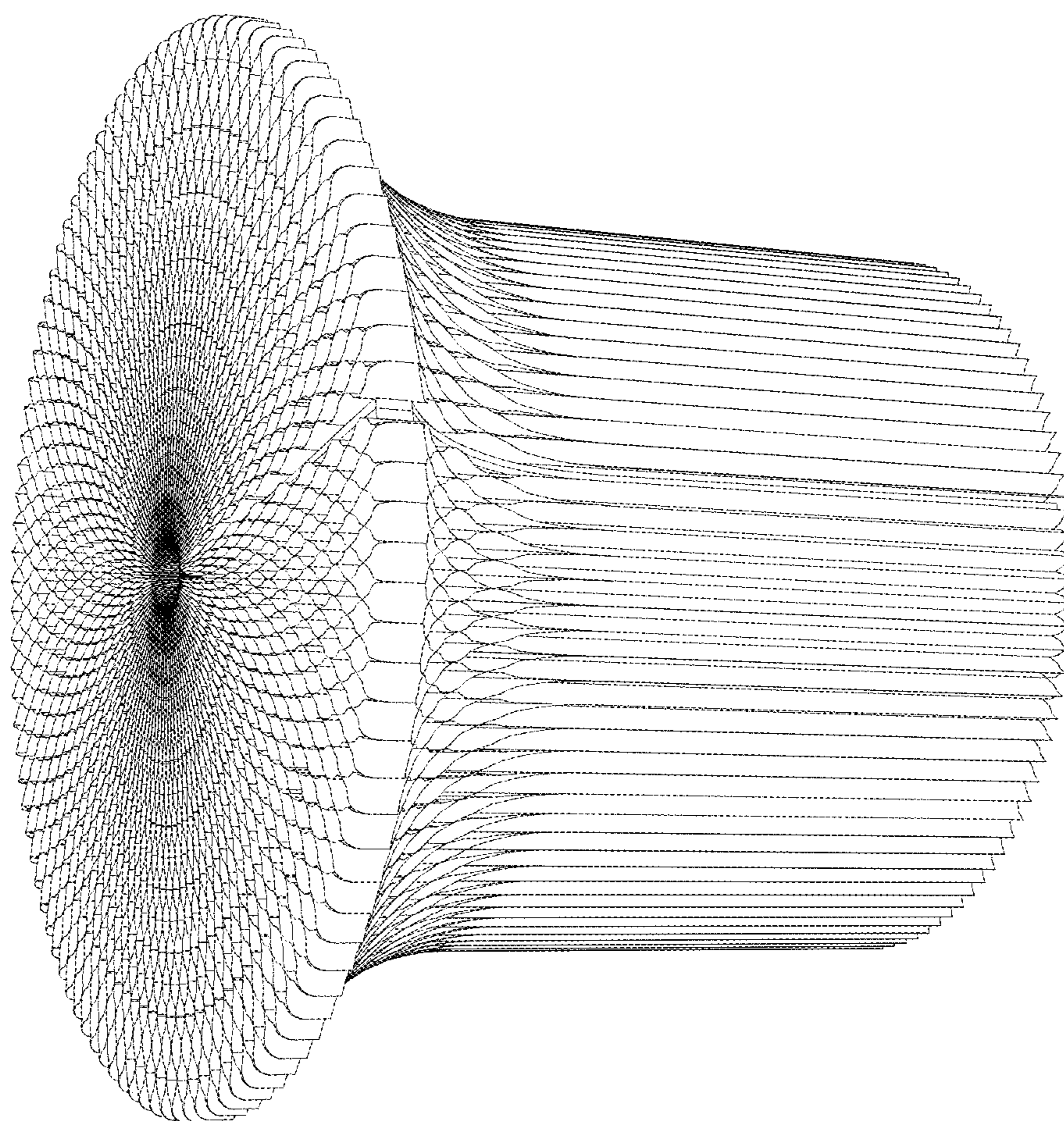


FIG. 10



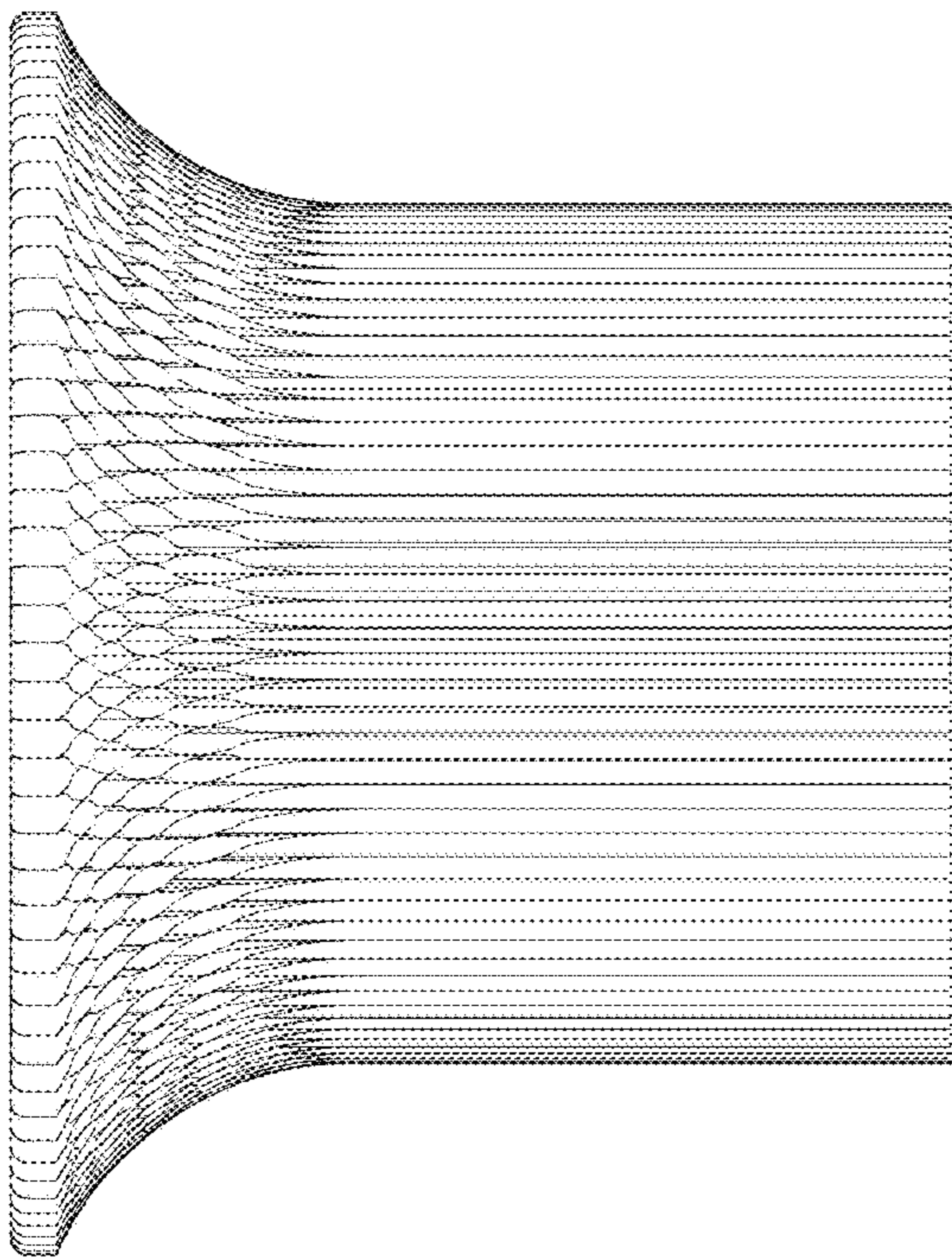


FIG. 11

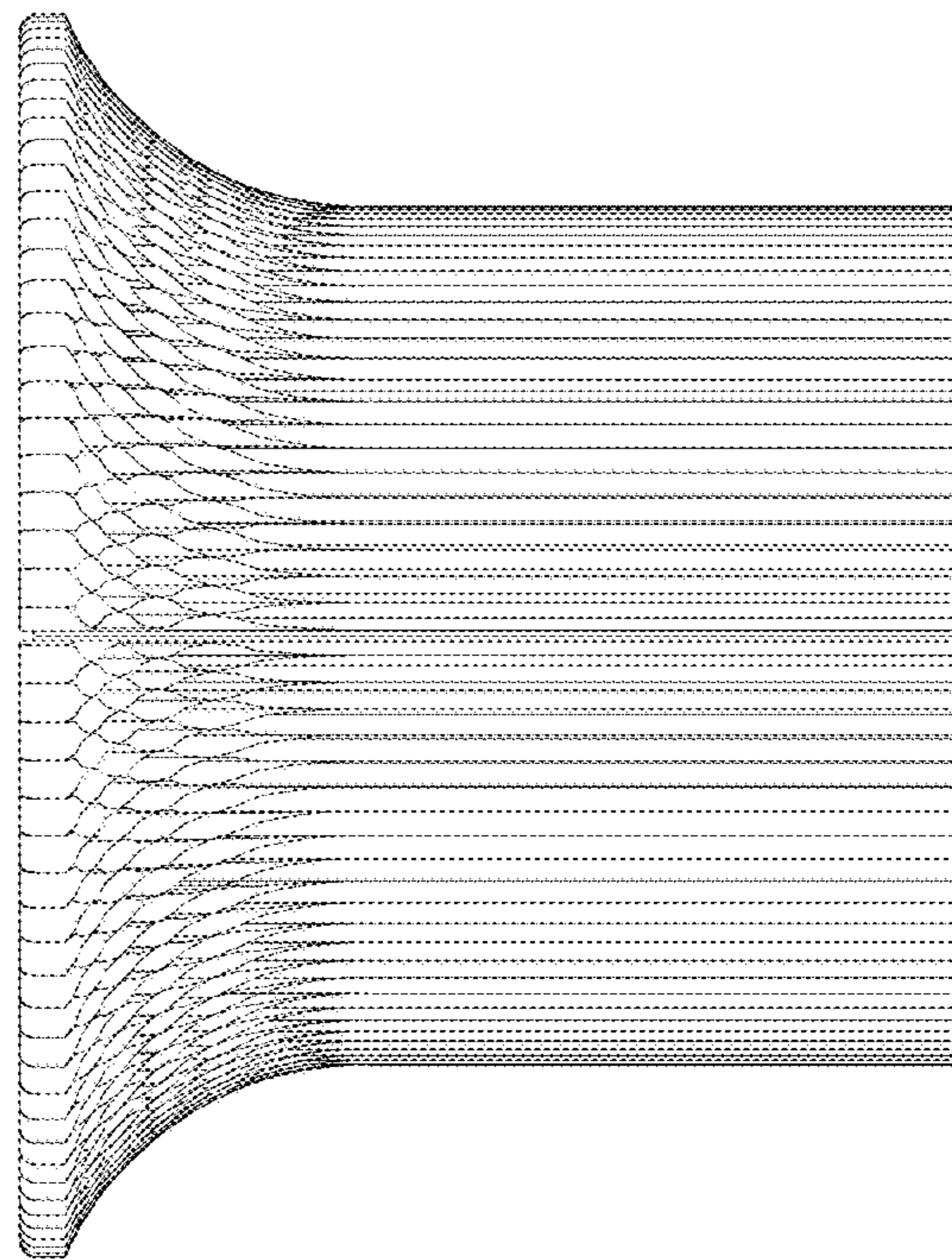


FIG. 12

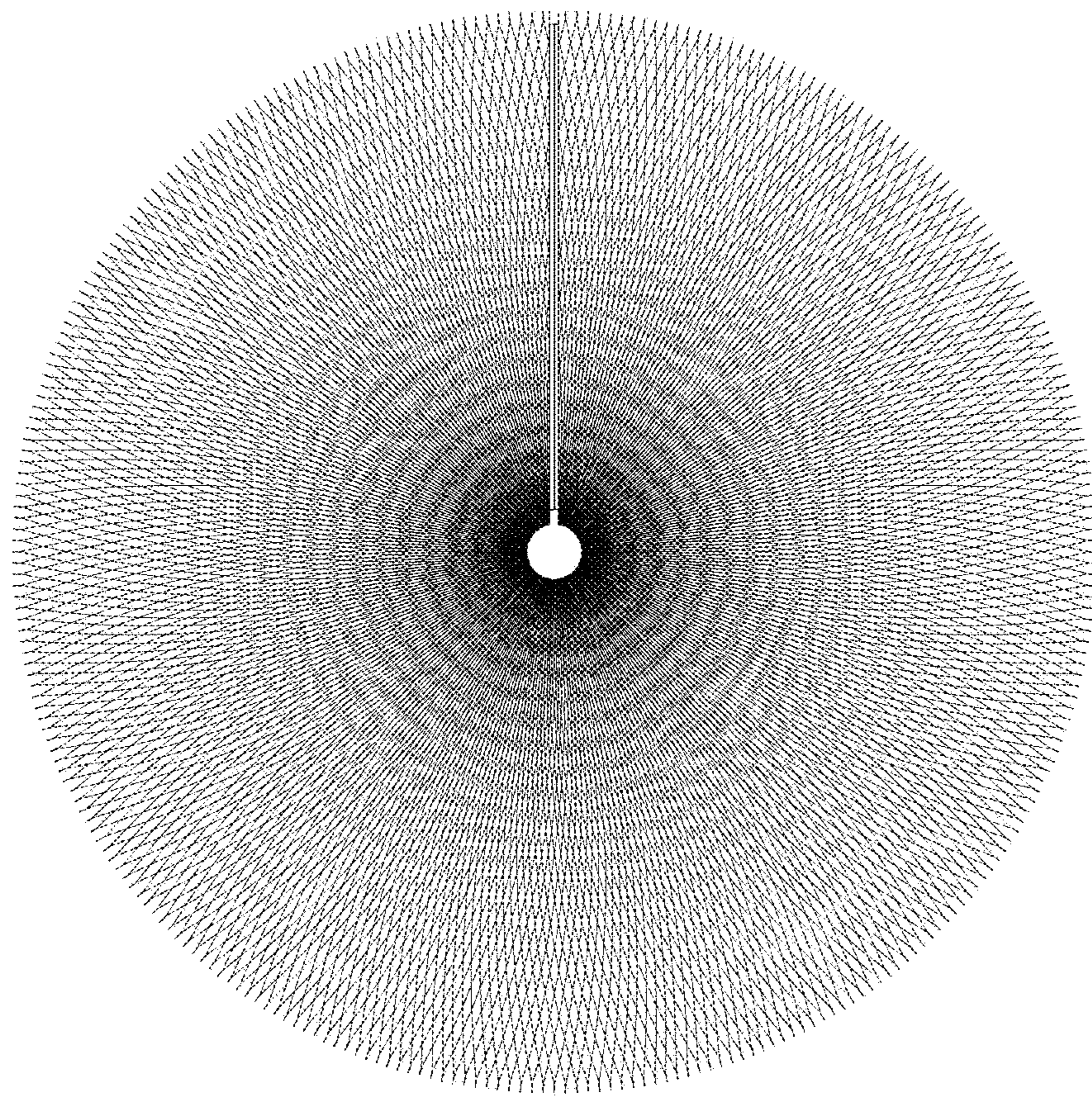


FIG. 13

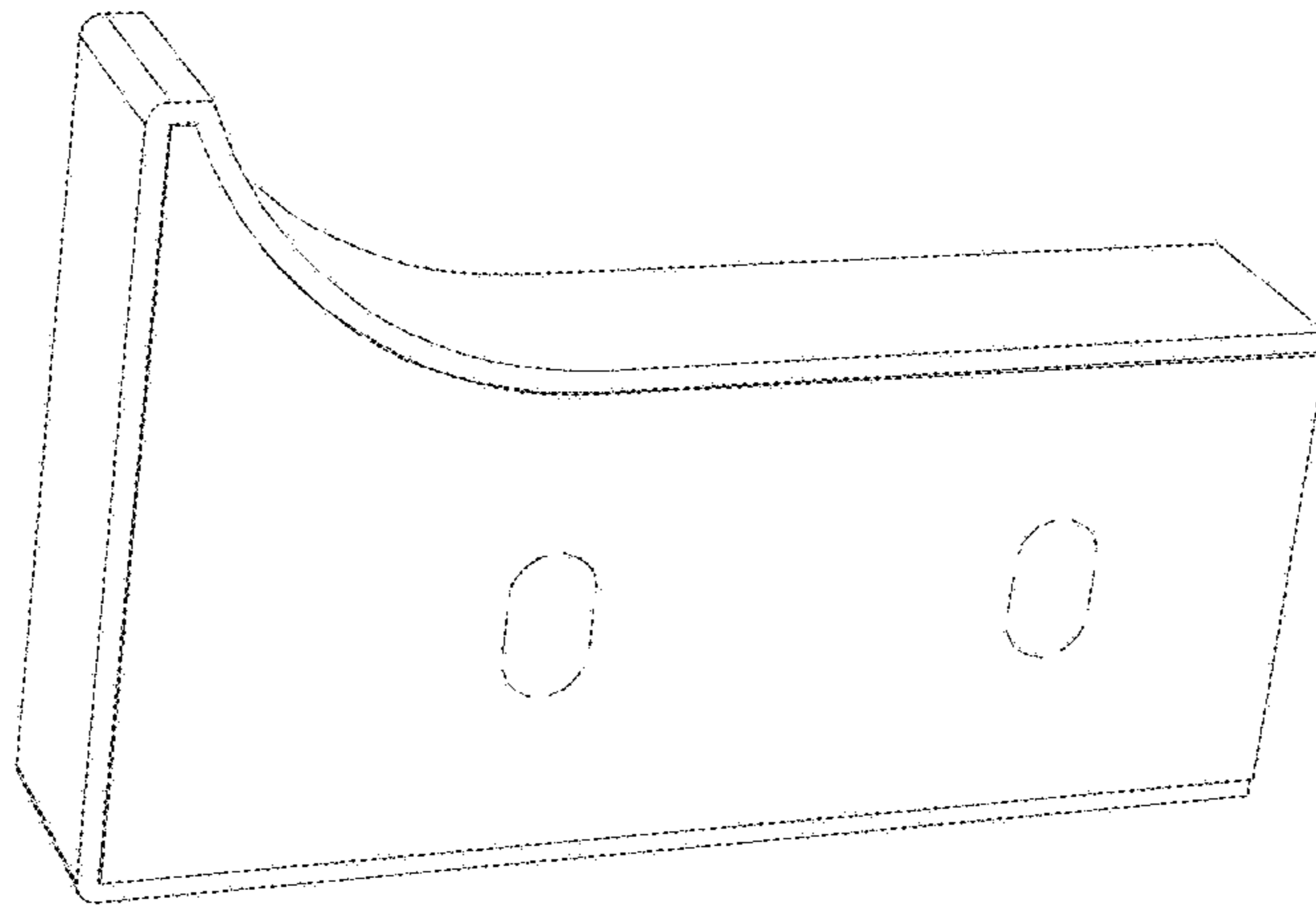


FIG. 15

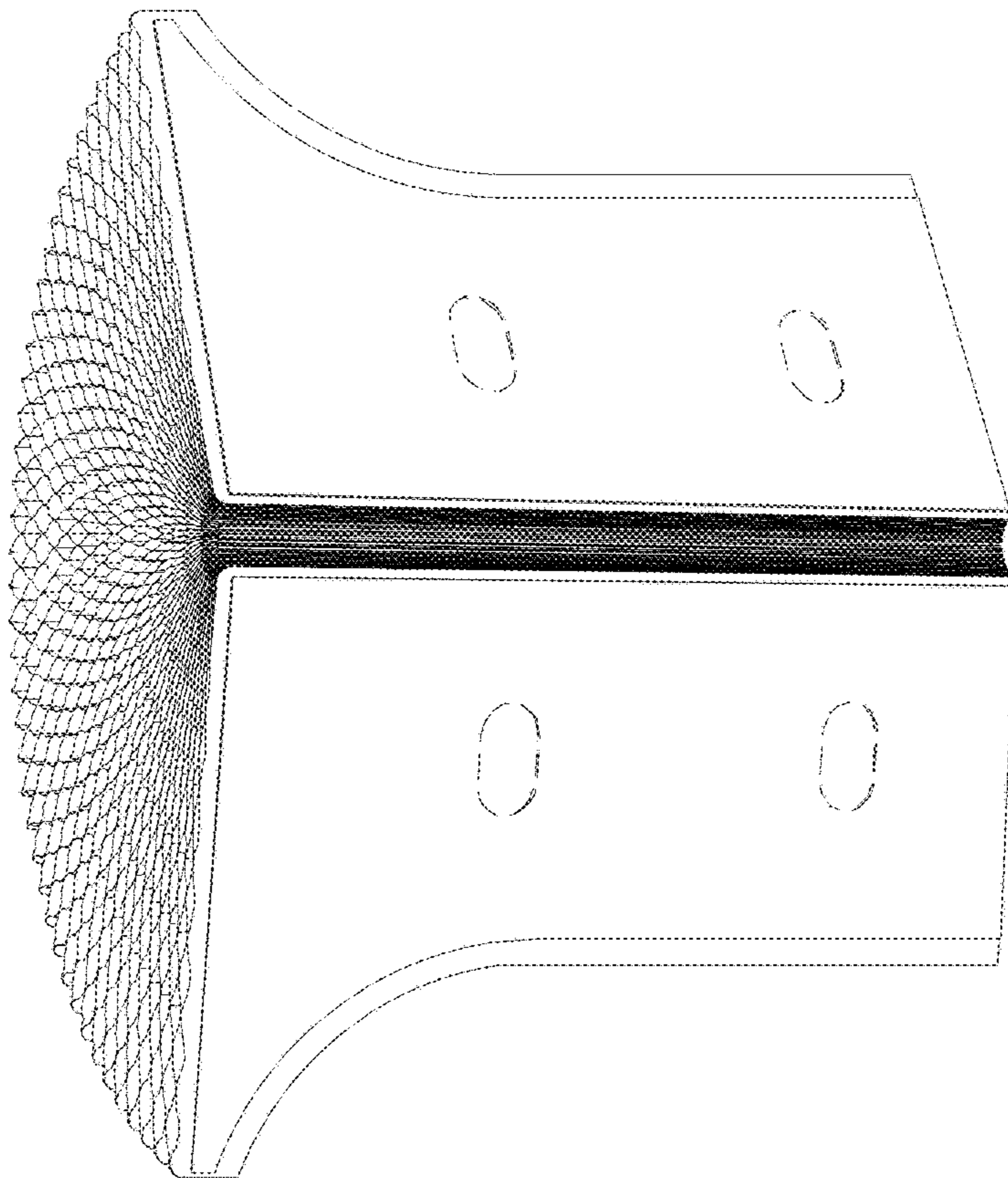


FIG. 14

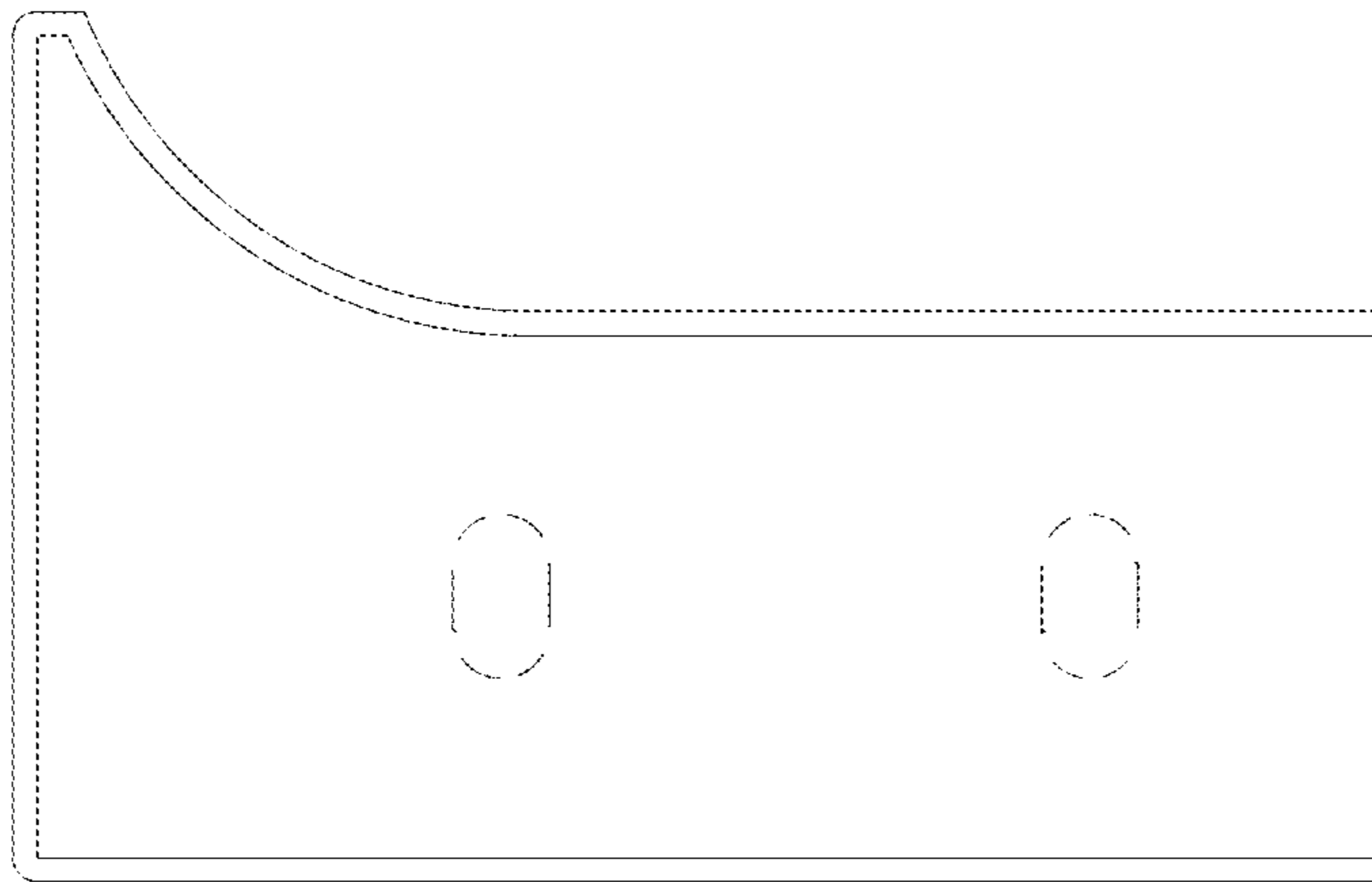


FIG. 16



FIG. 17

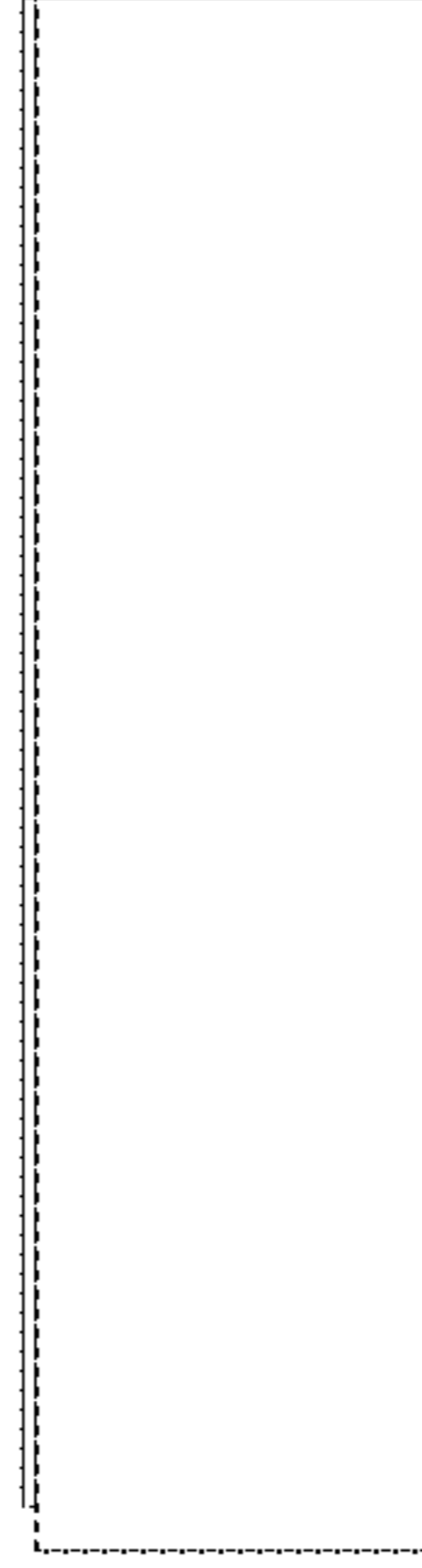


FIG. 18