



US00D808693S

(12) **United States Design Patent**  
**Belitz et al.**

(10) **Patent No.:** **US D808,693 S**  
(45) **Date of Patent:** **\*\* Jan. 30, 2018**

- (54) **ADJUSTABLE MICROPHONE BOOM**
- (71) Applicant: **Swift Distribution, Inc.**, Loveland, CO (US)
- (72) Inventors: **Michael J. Belitz**, Cherry Hills Village, CO (US); **Patrick Bertsch**, Thornton, CO (US)
- (73) Assignee: **Swift Distribution, Inc.**, Loveland, CO (US)
- (\*\*) Term: **14 Years**
- (21) Appl. No.: **29/514,645**
- (22) Filed: **Jan. 14, 2015**
- (51) **LOC (11) Cl.** ..... **06-06**
- (52) **U.S. Cl.**  
USPC ..... **D6/682.5**
- (58) **Field of Classification Search**  
USPC ..... D6/675, 675.1-675.2, 682, 700-701, D6/682.5; D19/65, 86; D14/206, 211, D14/224-229, 496; 248/166  
CPC . A47B 19/002; A47B 2019/004; A47B 19/02; A47F 5/04; A47F 5/06; A47F 5/12; A47F 7/00  
See application file for complete search history.

- (56) **References Cited**  
U.S. PATENT DOCUMENTS  
D326,969 S \* 6/1992 Eason ..... D14/224  
D343,517 S \* 1/1994 Marchetti ..... D3/204  
D392,123 S \* 3/1998 Lynch ..... D17/99  
6,036,159 A \* 3/2000 Yu ..... G10G 5/00  
224/910  
6,789,772 B2 \* 9/2004 Eason ..... F16M 11/16  
248/166  
D497,904 S \* 11/2004 Dardashti ..... D14/224  
D506,219 S \* 6/2005 Eason ..... D16/244  
7,007,909 B2 \* 3/2006 Hsieh ..... F16B 7/1463  
248/412

- 7,258,320 B2 \* 8/2007 Tai ..... A47B 19/002  
248/166
- D580,262 S \* 11/2008 Eason ..... D17/22
- D643,230 S \* 8/2011 Hepeng ..... D6/708.25
- D643,648 S \* 8/2011 Eason ..... D6/682
- D644,450 S \* 9/2011 Walter ..... D6/701
- D646,501 S \* 10/2011 Hepeng ..... D6/681.1
- D657,977 S \* 4/2012 Belitz ..... D6/681.1
- D675,039 S \* 1/2013 Foisy ..... D6/682.1
- D743,951 S \* 11/2015 Slaton ..... D14/229
- 2008/0135697 A1 \* 6/2008 Workman ..... F16M 11/16  
248/177.1
- 2008/0229901 A1 \* 9/2008 Eason ..... F16B 7/0486  
84/421
- 2008/0253601 A1 \* 10/2008 Hilderman ..... H04R 1/026  
381/363
- 2010/0243828 A1 \* 9/2010 Lippert ..... A47B 19/002  
248/157

(Continued)

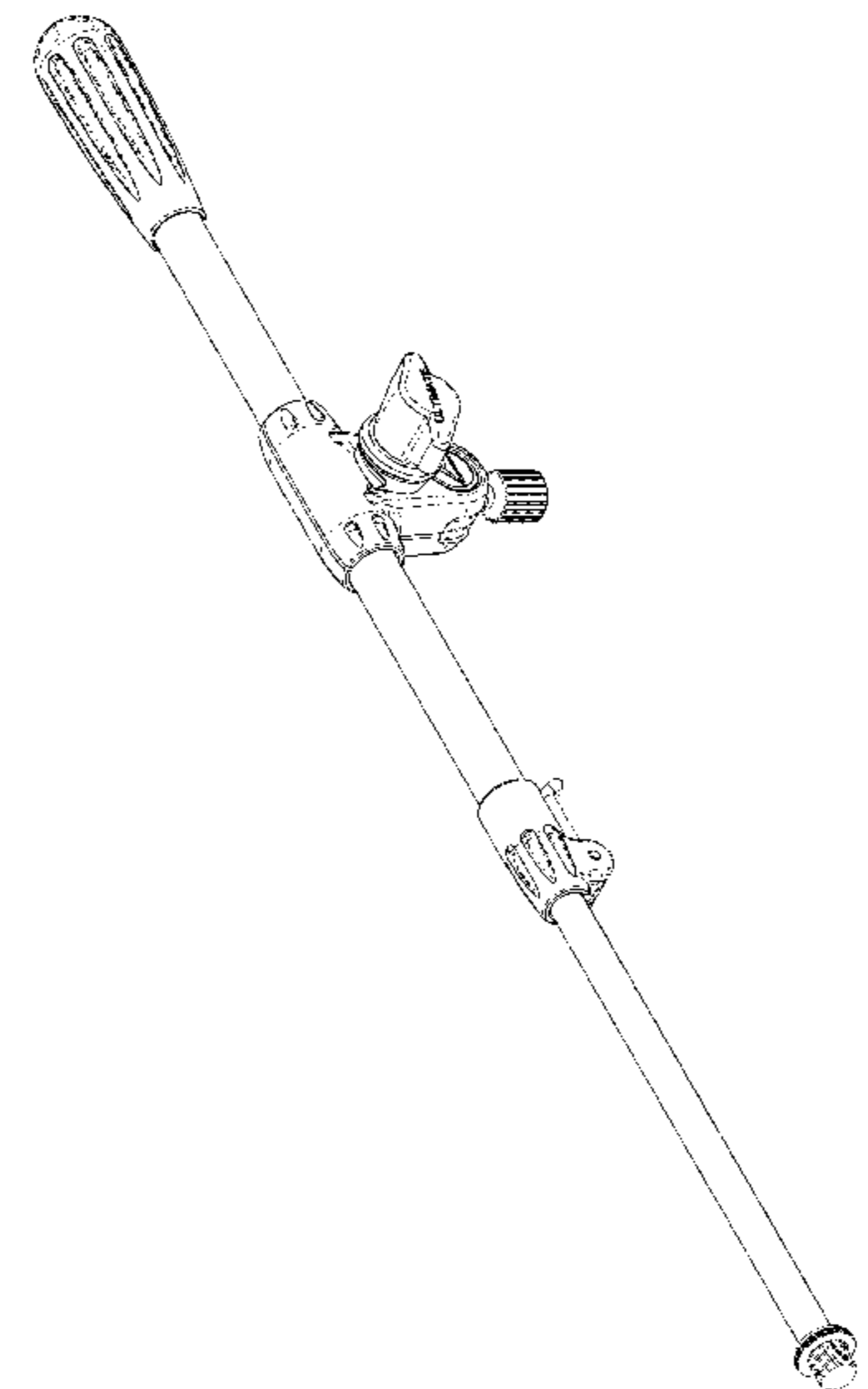
*Primary Examiner* — Kelley Donnelly  
(74) *Attorney, Agent, or Firm* — Talus Law Group LLC

(57) **CLAIM**  
The ornamental design for an adjustable microphone boom, as shown and described.

**DESCRIPTION**

FIG. 1 is a front elevation view of an adjustable microphone boom showing our new design.  
FIG. 2 is a rear elevation view thereof;  
FIG. 3 is a left elevation view thereof;  
FIG. 4 is a right elevation view thereof;  
FIG. 5 is a top plan view thereof;  
FIG. 6 is a bottom plan view thereof; and,  
FIG. 7 is a perspective view thereof.  
Note that any features rendered in broken line do not form part of the claimed design, and that the Applicant reserves the right to change any of the features or structures rendered in solid line to broken line.

**1 Claim, 7 Drawing Sheets**



(56)

**References Cited**

U.S. PATENT DOCUMENTS

2013/0105644	A1 *	5/2013	Yu .....	G10G 5/005 248/125.7
2014/0117173	A1 *	5/2014	Liaw .....	G10G 5/00 248/125.8

\* cited by examiner

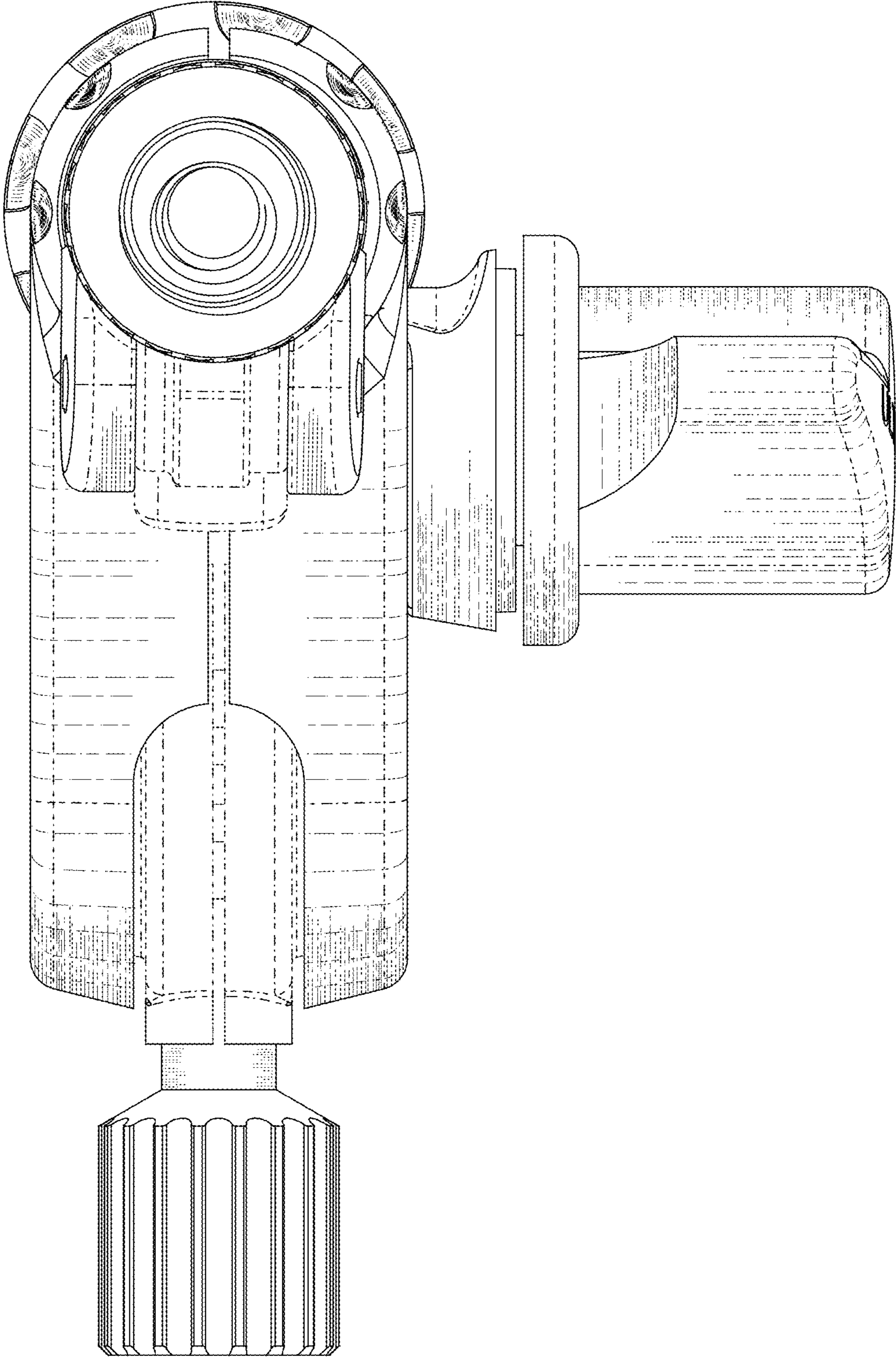


FIG.1

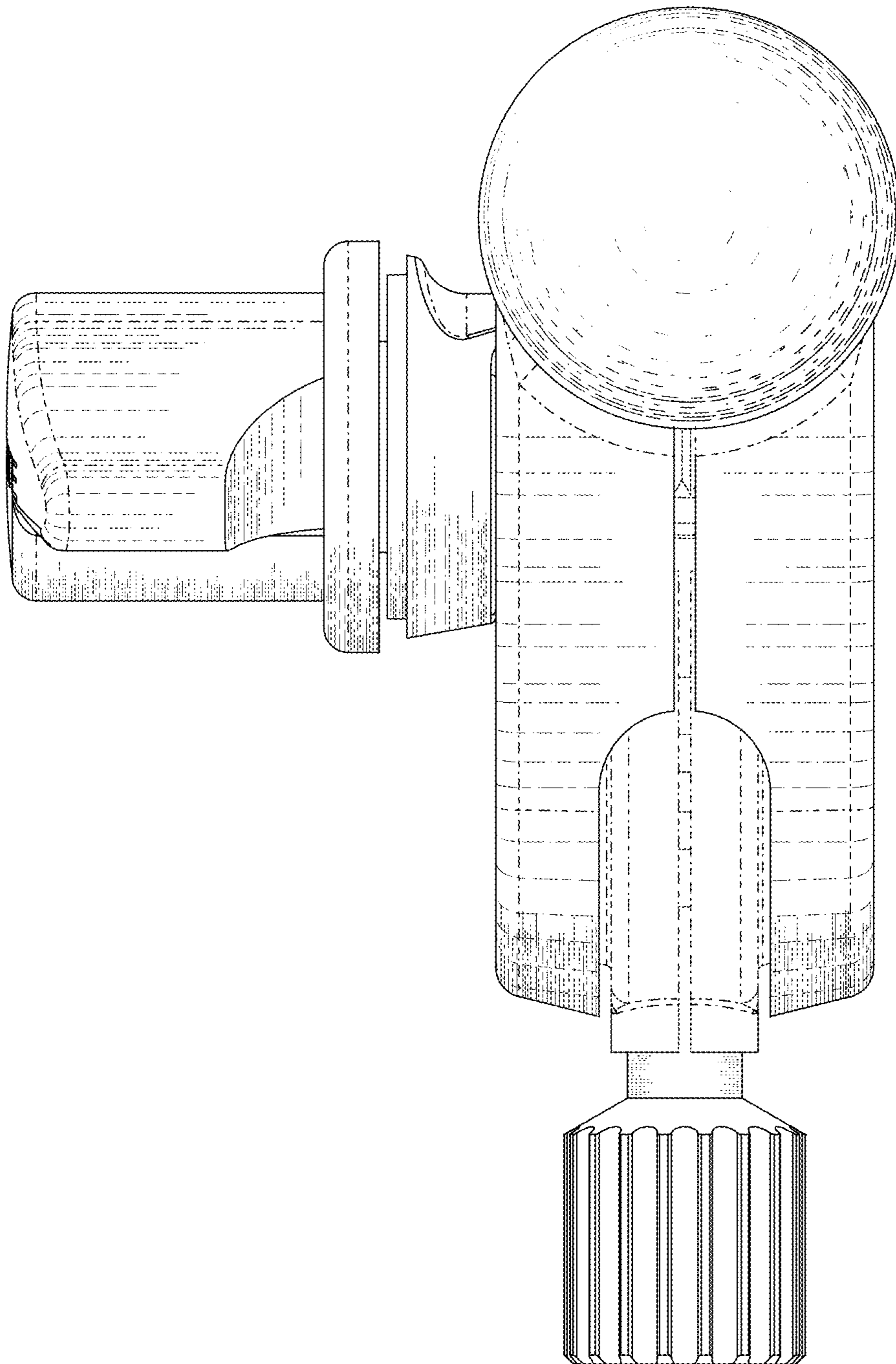


FIG.2

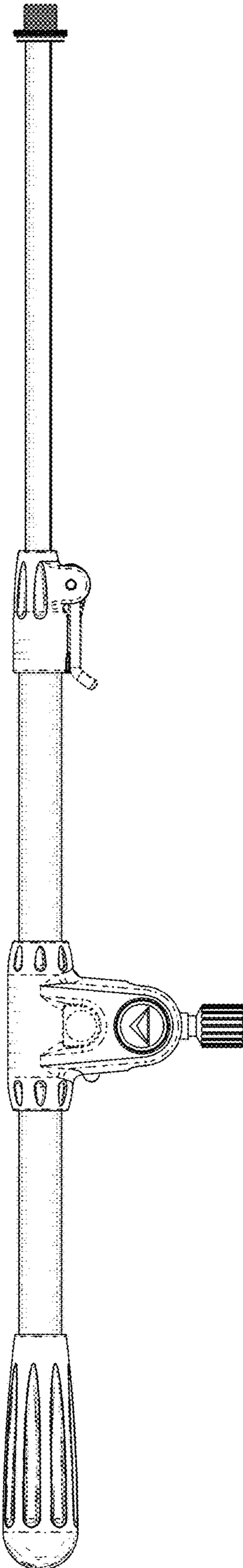


FIG.3

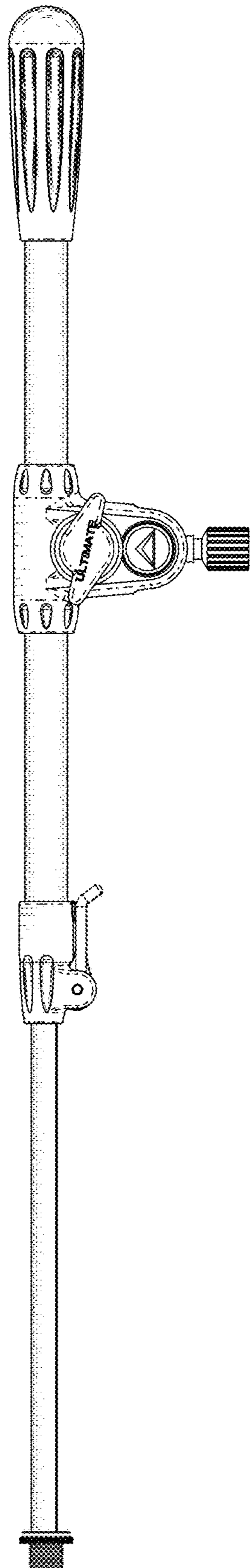


FIG.4

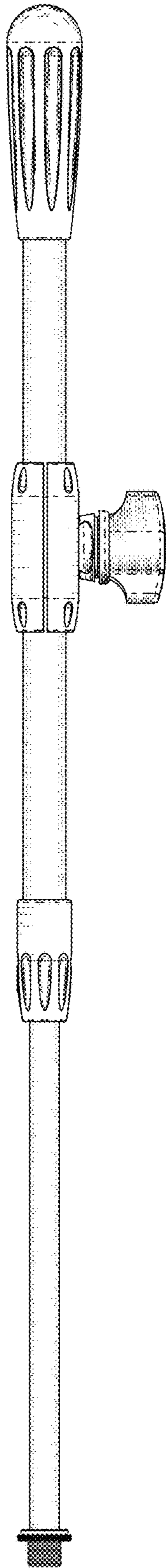


FIG.5

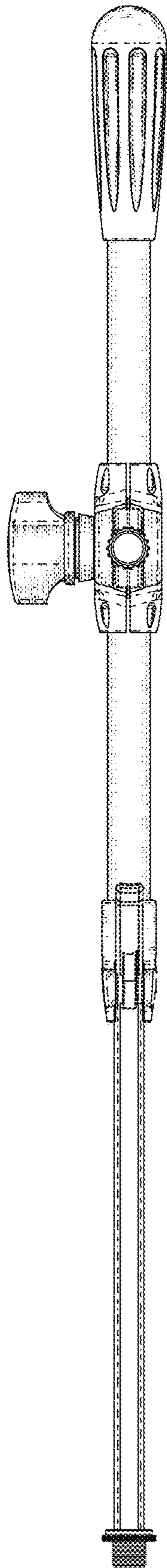


FIG.6



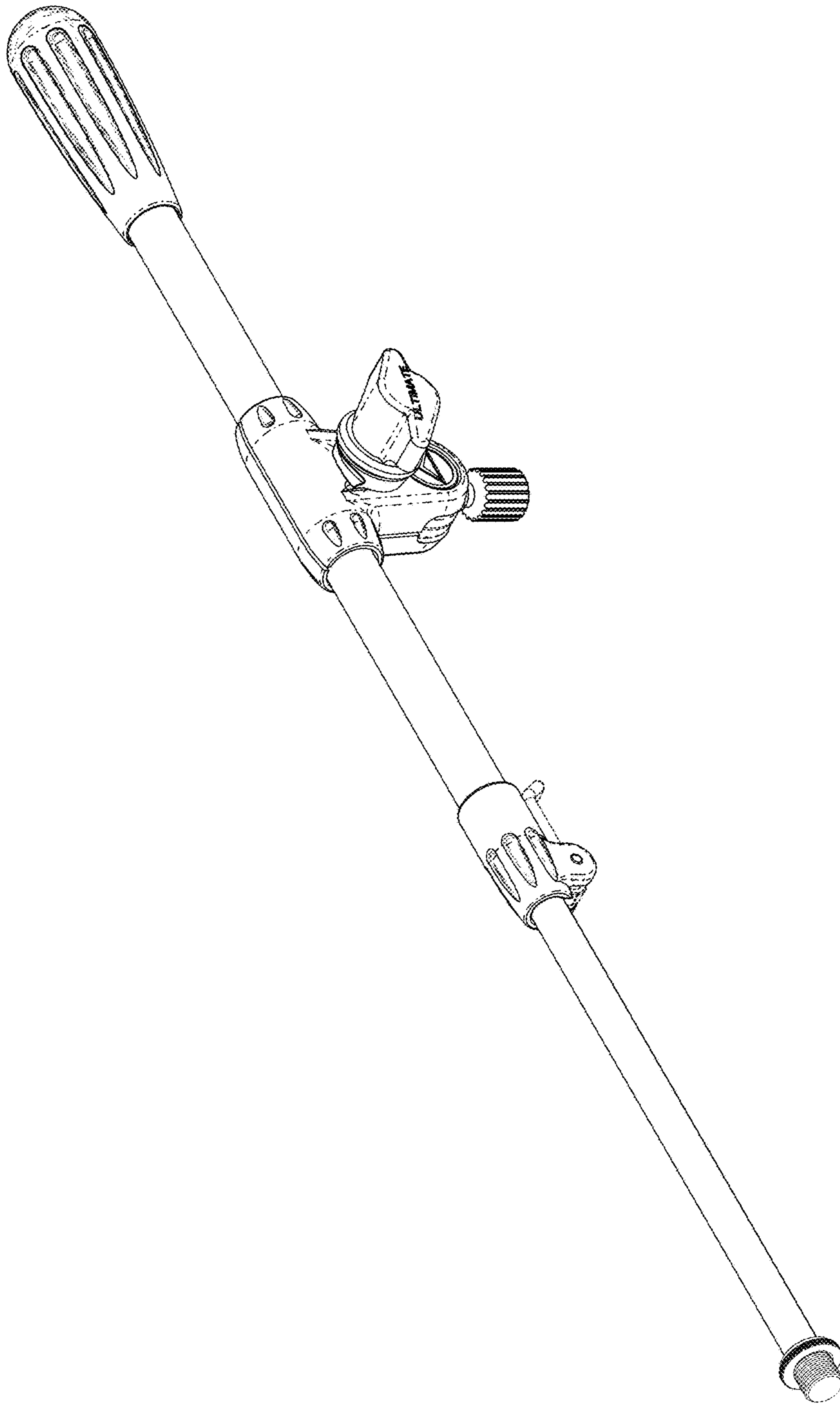


FIG.7