



US00D808692S

(12) **United States Design Patent**
McCormick

(10) **Patent No.:** **US D808,692 S**
(45) **Date of Patent:** **** Jan. 30, 2018**

(54) **CORNUCOPIA SHAPED SELF HELP AID**
(71) Applicant: **Michael G. McCormick**, Roanoke, VA
(US)
(72) Inventor: **Michael G. McCormick**, Roanoke, VA
(US)

D390,380 S * 2/1998 Furnell D6/676.3
D450,780 S * 11/2001 Holtz D21/325
D518,316 S * 4/2006 Gusdorf D6/675.3
D579,058 S * 10/2008 Glavis D21/392
D630,868 S * 1/2011 Annicelli D19/91
D694,464 S * 11/2013 Parres D26/133
D706,482 S * 6/2014 Pan D26/136

(**) Term: **15 Years**

(21) Appl. No.: **29/564,692**

(22) Filed: **May 14, 2016**

(51) **LOC (11) Cl.** **20-02**

(52) **U.S. Cl.**
USPC **D6/676.3**; D99/34

(58) **Field of Classification Search**
USPC D99/28, 29, 34, 35, 36, 37, 38, 39, 40,
D99/41, 42, 43; D14/900, 901, 902;
109/1 V; 232/4 R; D9/414, 423, 424;
D7/351; D3/273, 292, 304, 323;
D18/3.1, 3.2, 3.3; D8/334; D6/672, 674,
D6/676, 676.1, 676.3, 676.4; D11/131,
D11/157, 149, 152; D1/115; D21/385,
D21/392; D19/91; D26/136

CPC G07F 19/20; G07F 19/202; G07F 19/203;
G07F 19/204; G07F 19/205; G07F
19/207; G06Q 20/1085

See application file for complete search history.

(56) **References Cited**

U.S. PATENT DOCUMENTS

595,509 A * 12/1897 Wyman A45C 1/12
232/4 R
D97,127 S * 10/1935 Fuller D11/149
D132,692 S * 6/1942 Sawyer D11/149
D148,748 S * 2/1948 Blecher D11/131
D161,796 S * 1/1951 Shapiro D19/91

OTHER PUBLICATIONS

NPL Coins Display Boxes from Collinson Enterprises, as indexed by the Internet Archive, Sep. 14, 2012, [online], [site visited Jun. 7, 2017]. Retrieved from url: <https://web.archive.org/web/20120914203107/http://www.collinson.biz/coins/displayboxes.html>.*

* cited by examiner

Primary Examiner — Jeffrey D Asch
Assistant Examiner — Tracey J Bell
(74) *Attorney, Agent, or Firm* — William G. Sykes

(57) **CLAIM**

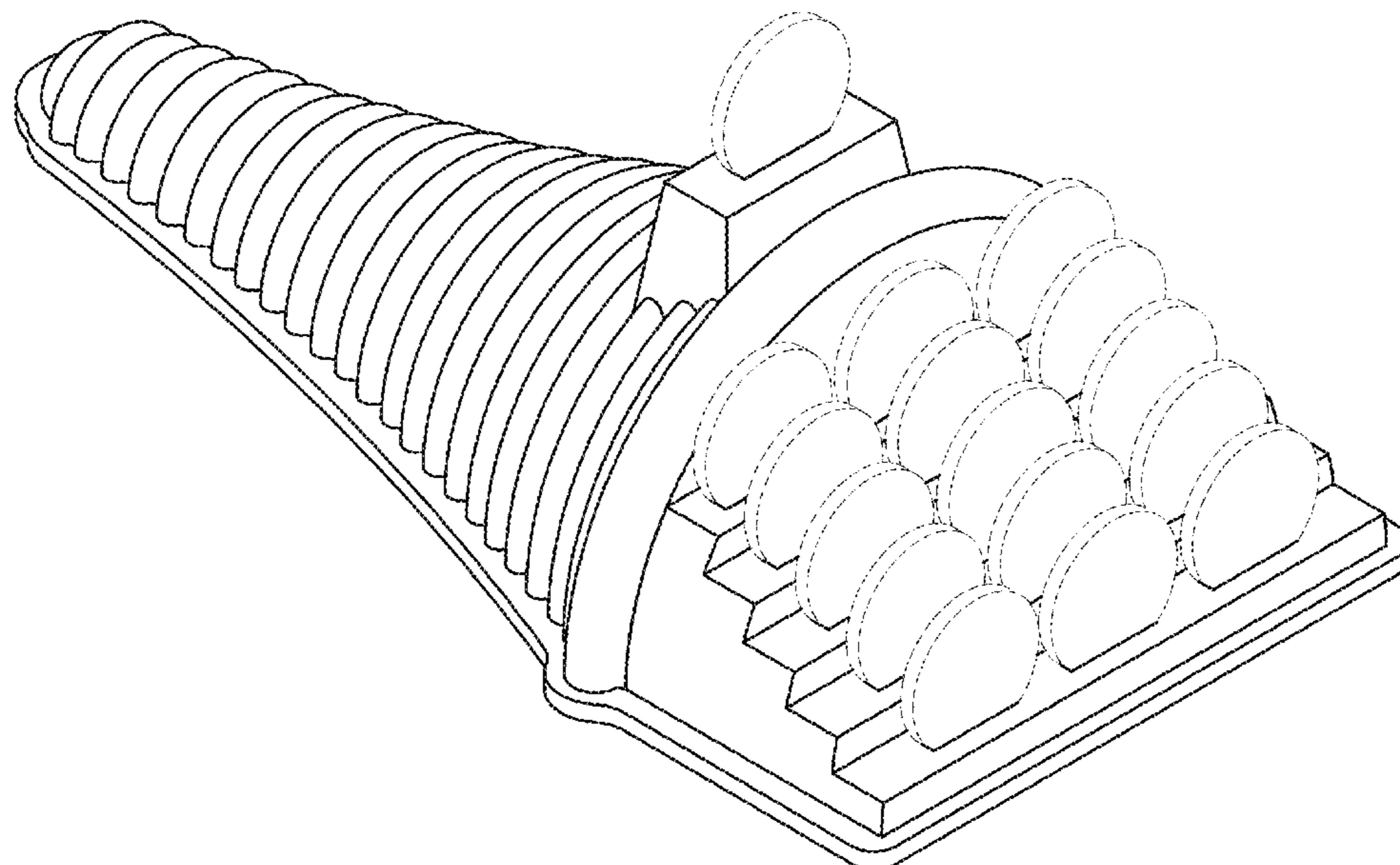
The ornamental design for a cornucopia shaped self help aid, as shown.

DESCRIPTION

FIG. 1 is a front left isometric view of a cornucopia shaped self help aid showing my new design;
FIG. 2 is a front view thereof;
FIG. 3 is a top view thereof;
FIG. 4 is a bottom view thereof;
FIG. 5 is a right side view thereof;
FIG. 6 is a left side view thereof; and,
FIG. 7 is a back view.

The broken lines shown in the figures depict environment for use with the cornucopia shaped self help aid and form no part of the claimed design.

1 Claim, 7 Drawing Sheets



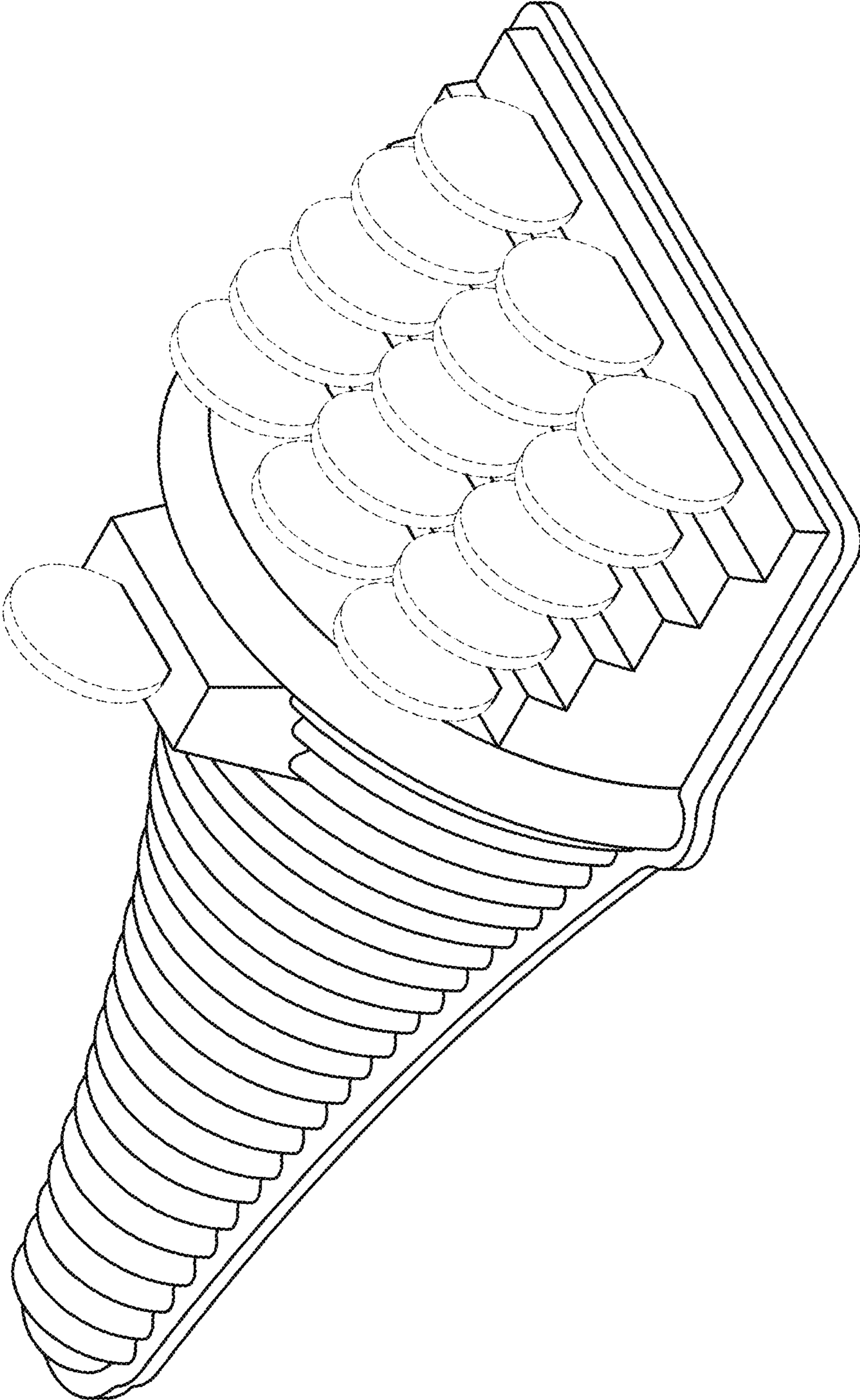


Fig. 1

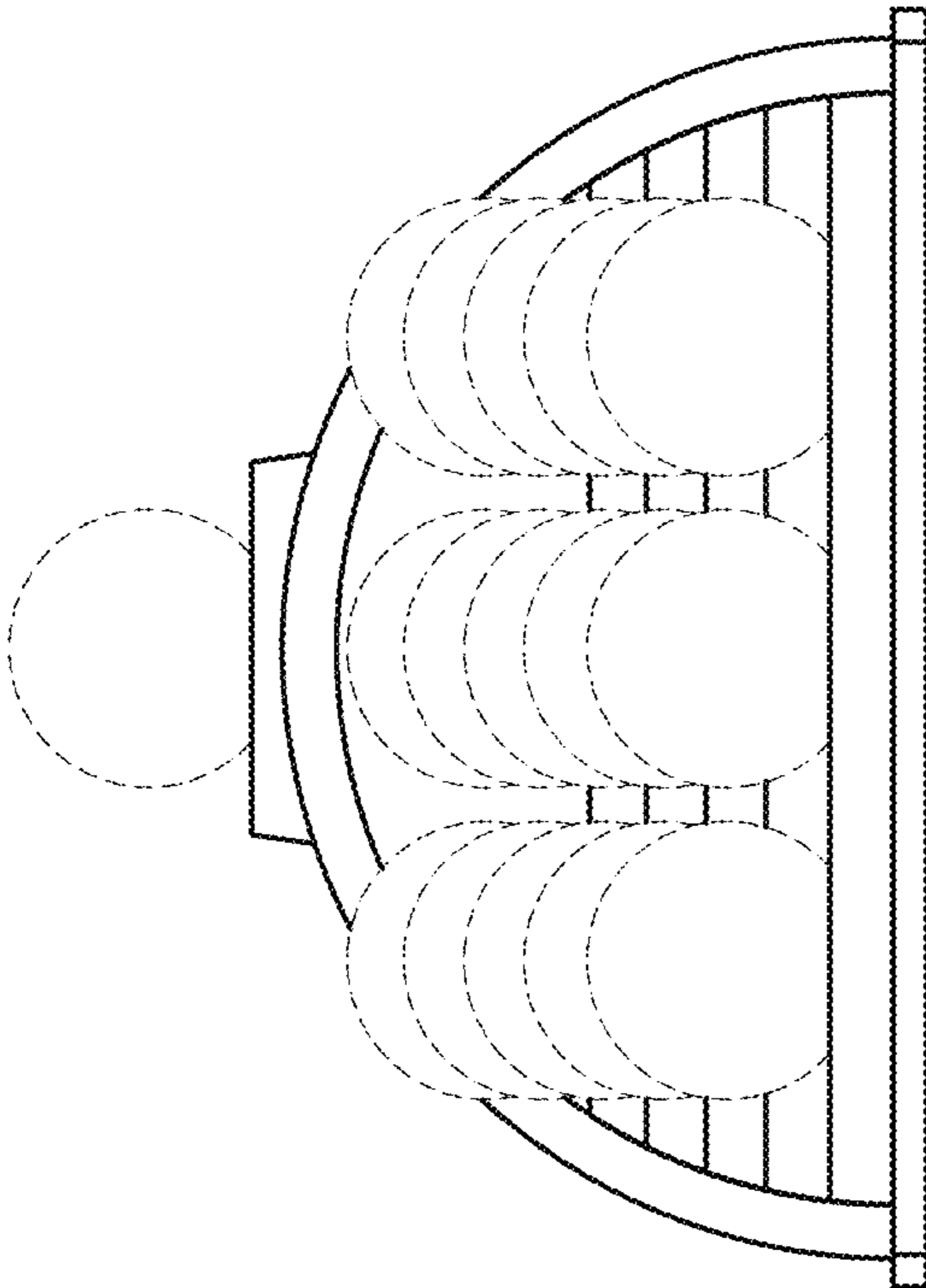


Fig. 2

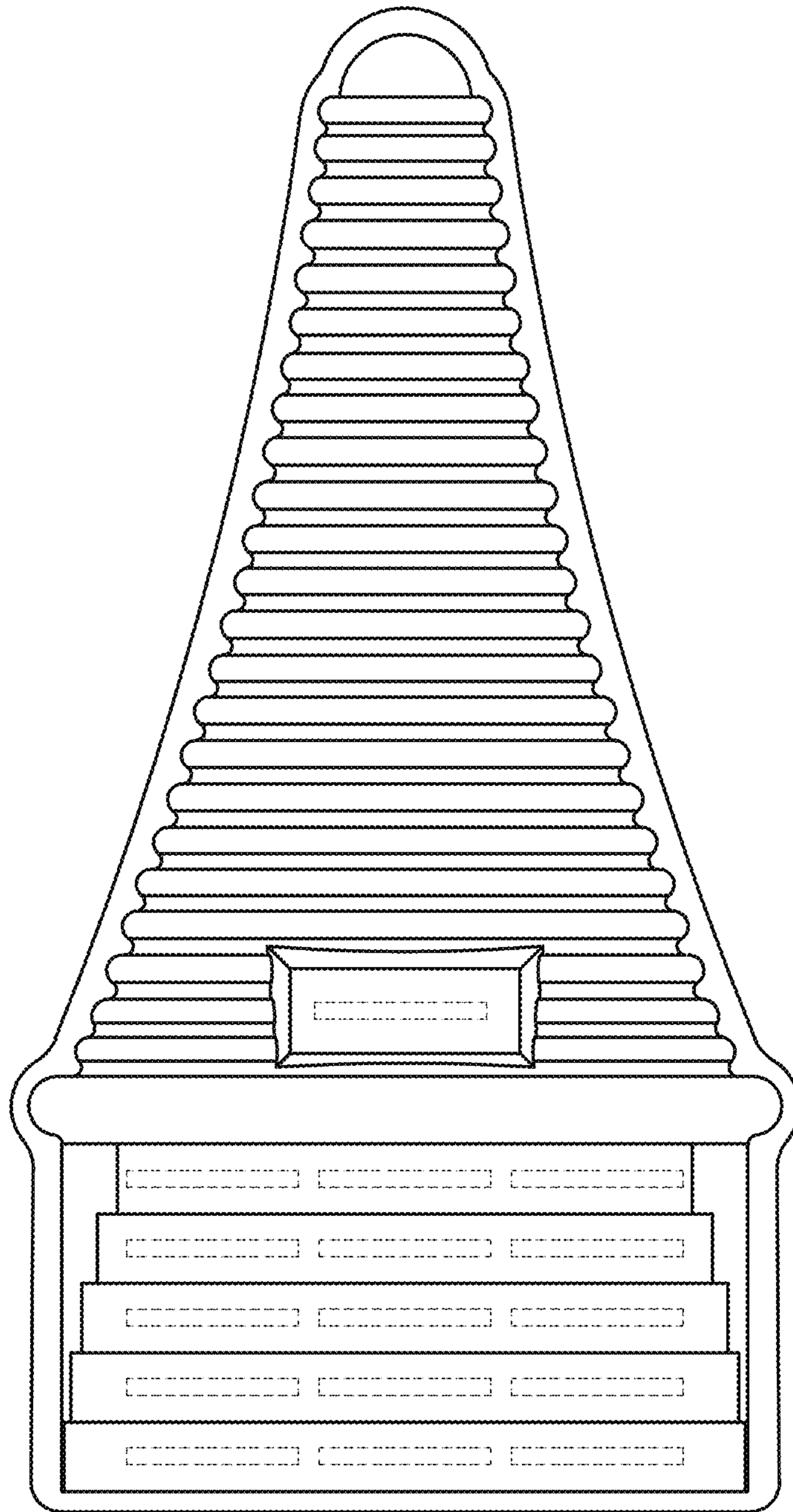


Fig. 3

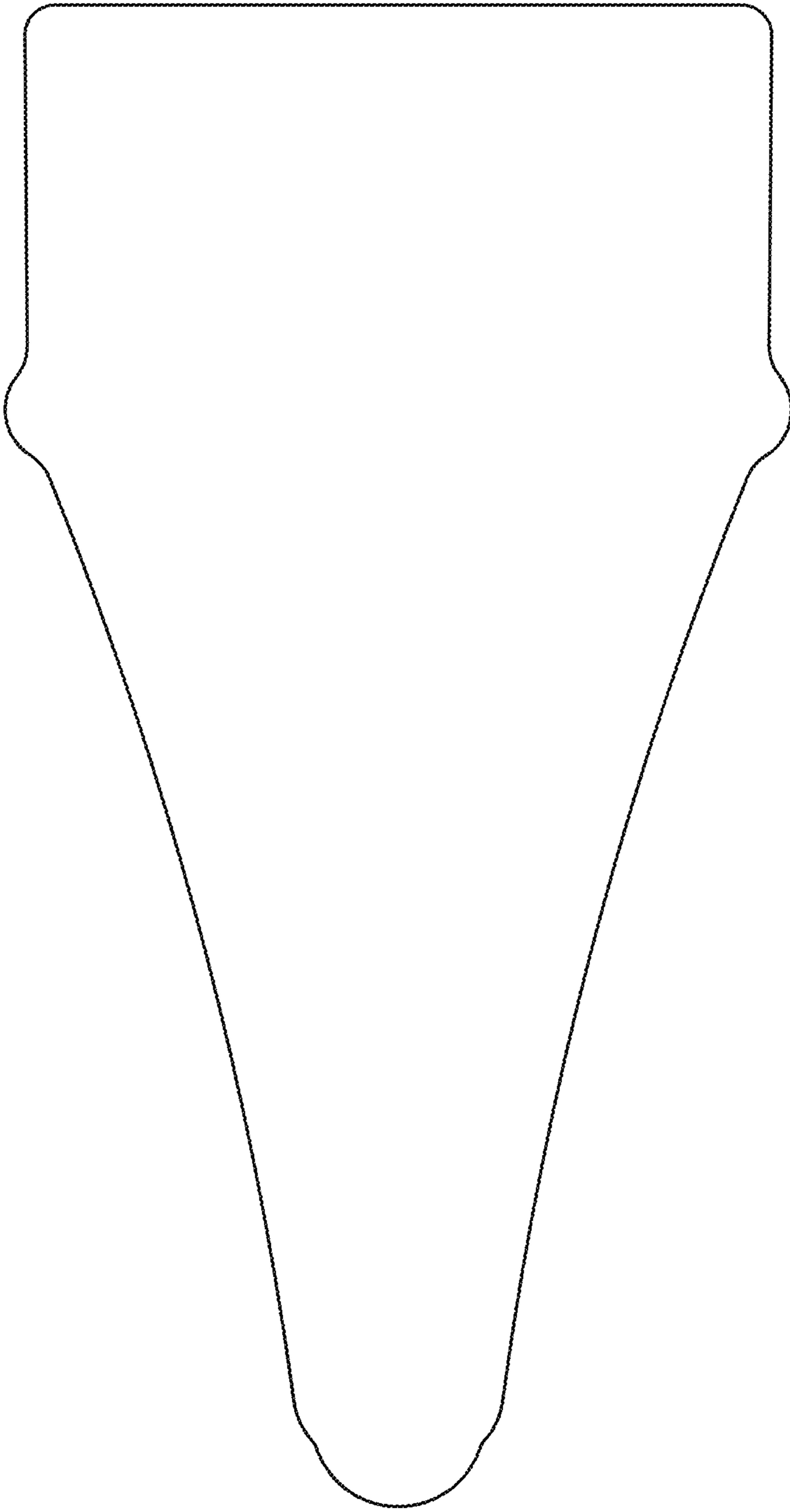


Fig. 4

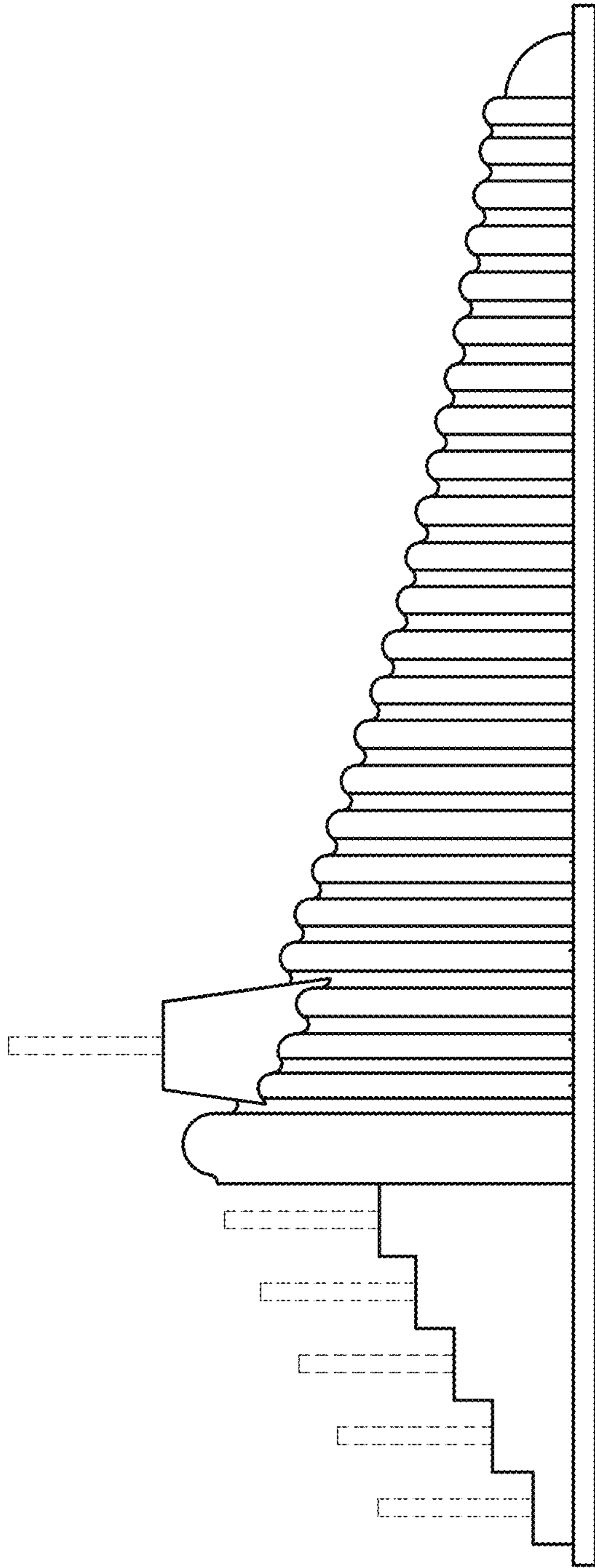


Fig. 5

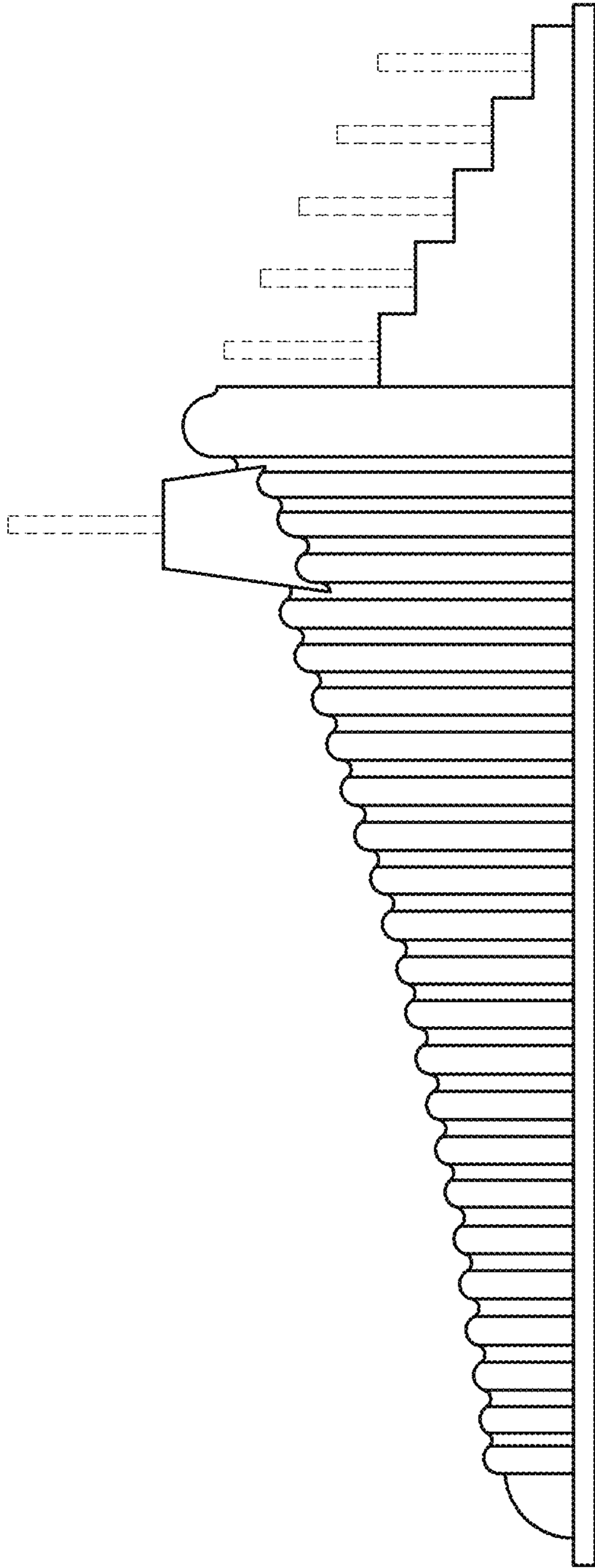


Fig. 6

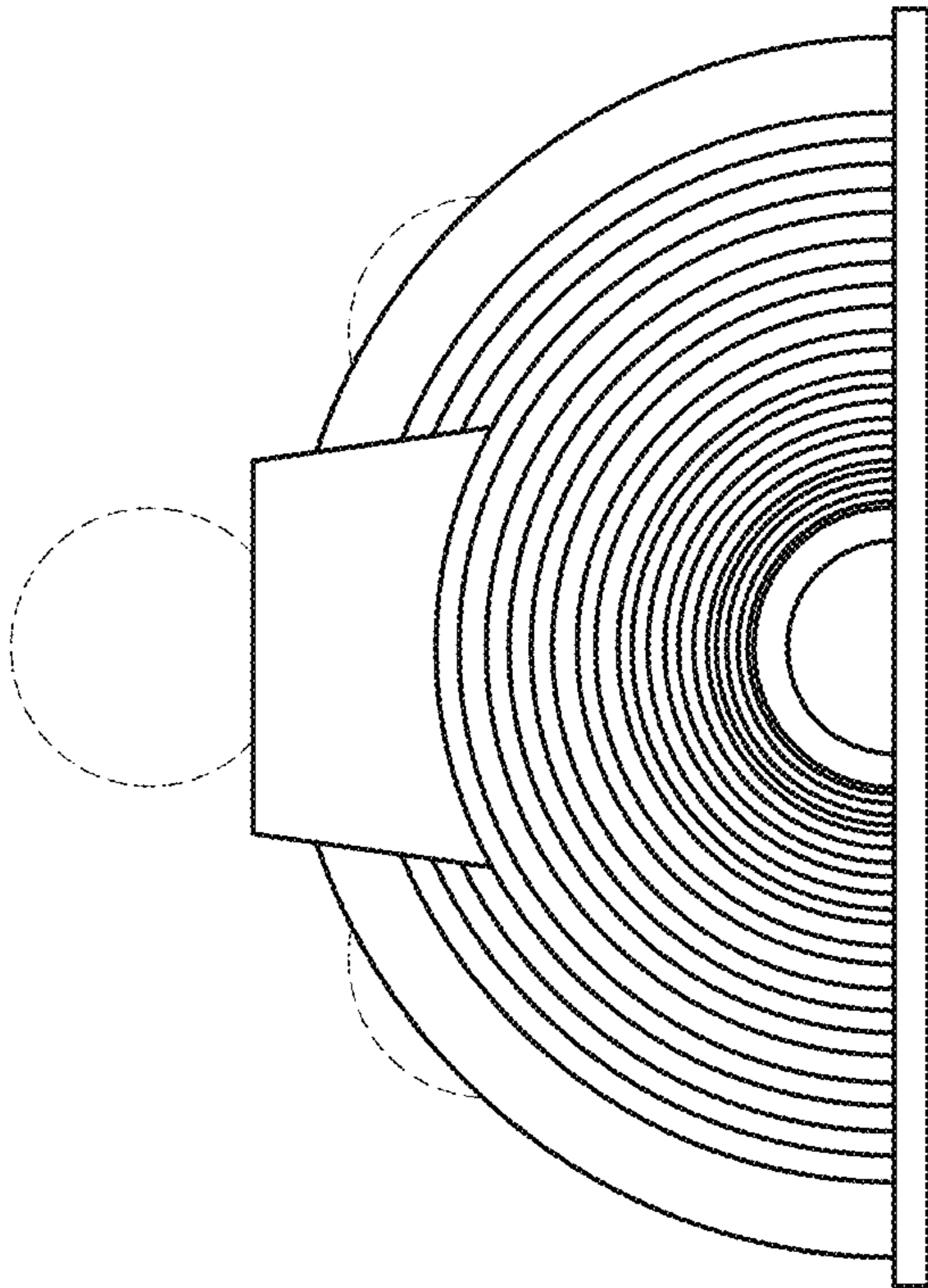


Fig. 7