



US00D808691S

(12) **United States Design Patent**
Davis

(10) **Patent No.:** **US D808,691 S**
(45) **Date of Patent:** **** Jan. 30, 2018**

- (54) **JEWELRY STAND**
- (71) Applicant: **Michelle Jean Davis**, Woodland Hills, CA (US)
- (72) Inventor: **Michelle Jean Davis**, Woodland Hills, CA (US)
- (**) Term: **15 Years**
- (21) Appl. No.: **29/597,968**
- (22) Filed: **Mar. 21, 2017**
- (51) **LOC (11) Cl.** **06-06**
- (52) **U.S. Cl.**
USPC **D6/675.4**
- (58) **Field of Classification Search**
USPC .. D6/672, 673, 675, 675.4, 678.3, 681-682;
D14/217, 447
CPC .. A47F 5/00; A47F 5/0807; A47F 5/12; A47F
7/02; A45F 2200/05
See application file for complete search history.

- D760,724 S * 7/2016 Kang D14/447
- D768,138 S * 10/2016 Malsan D14/447
- D780,490 S * 3/2017 James D6/682
- D798,636 S * 10/2017 Van Landingham, Jr. . D6/677.4
- D800,733 S * 10/2017 Burns D14/447
- D801,922 S * 11/2017 Morenstein D13/108

* cited by examiner

Primary Examiner — Kelley Donnelly

(57) **CLAIM**

The ornamental design for a jewelry stand, as shown and described.

DESCRIPTION

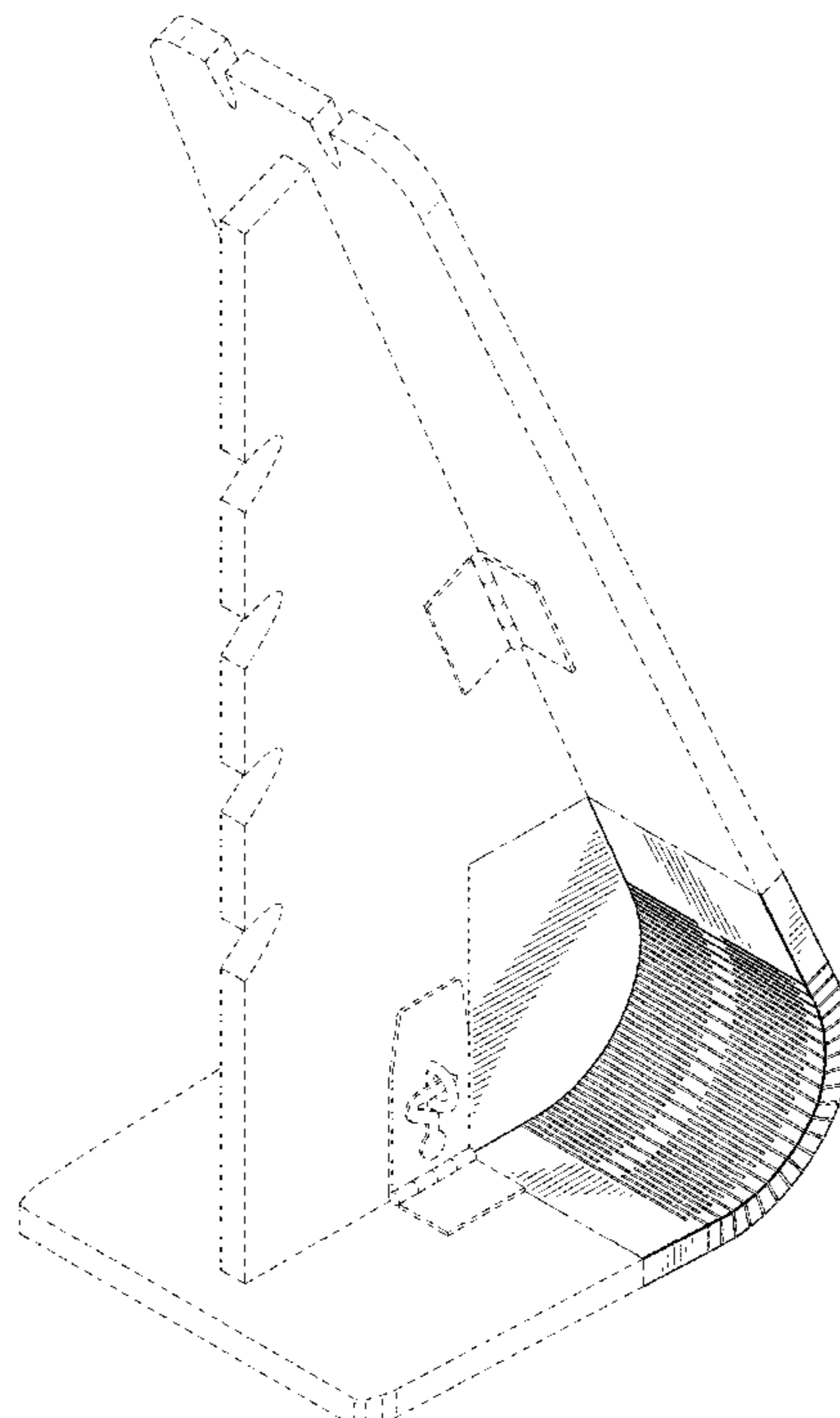
FIG. 1 is a perspective view of the jewelry stand showing my new design;
 FIG. 2 is a back elevation view thereof;
 FIG. 3 is a front elevation view thereof;
 FIG. 4 is a left side elevation view thereof, the right side being a mirror image;
 FIG. 5 is a top plan view thereof;
 FIG. 6 is a bottom plan view thereof;
 FIG. 7 is a side elevation view thereof; and,
 FIG. 8 is a perspective view of the disassembled parts thereof.
 The broken lines shown are included for the purpose of illustrating the unclaimed portions of the article and form no part of the claim.
 The broken lines that define the bounds of the claimed design form no part thereof.

1 Claim, 5 Drawing Sheets

(56) **References Cited**

U.S. PATENT DOCUMENTS

- D329,763 S * 9/1992 Cuminale D6/310
- D364,158 S * 11/1995 Branch D14/137
- D368,184 S * 3/1996 Eley D6/406.4
- D412,074 S * 7/1999 DeWitt D6/672
- D593,998 S * 6/2009 Bentley D14/224
- D660,049 S * 5/2012 Tseng D6/672
- D664,528 S * 7/2012 Chen D14/253
- D676,053 S * 2/2013 Izen D14/447
- D703,673 S * 4/2014 Kittlaus D14/447
- D717,306 S * 11/2014 Clouser D14/447



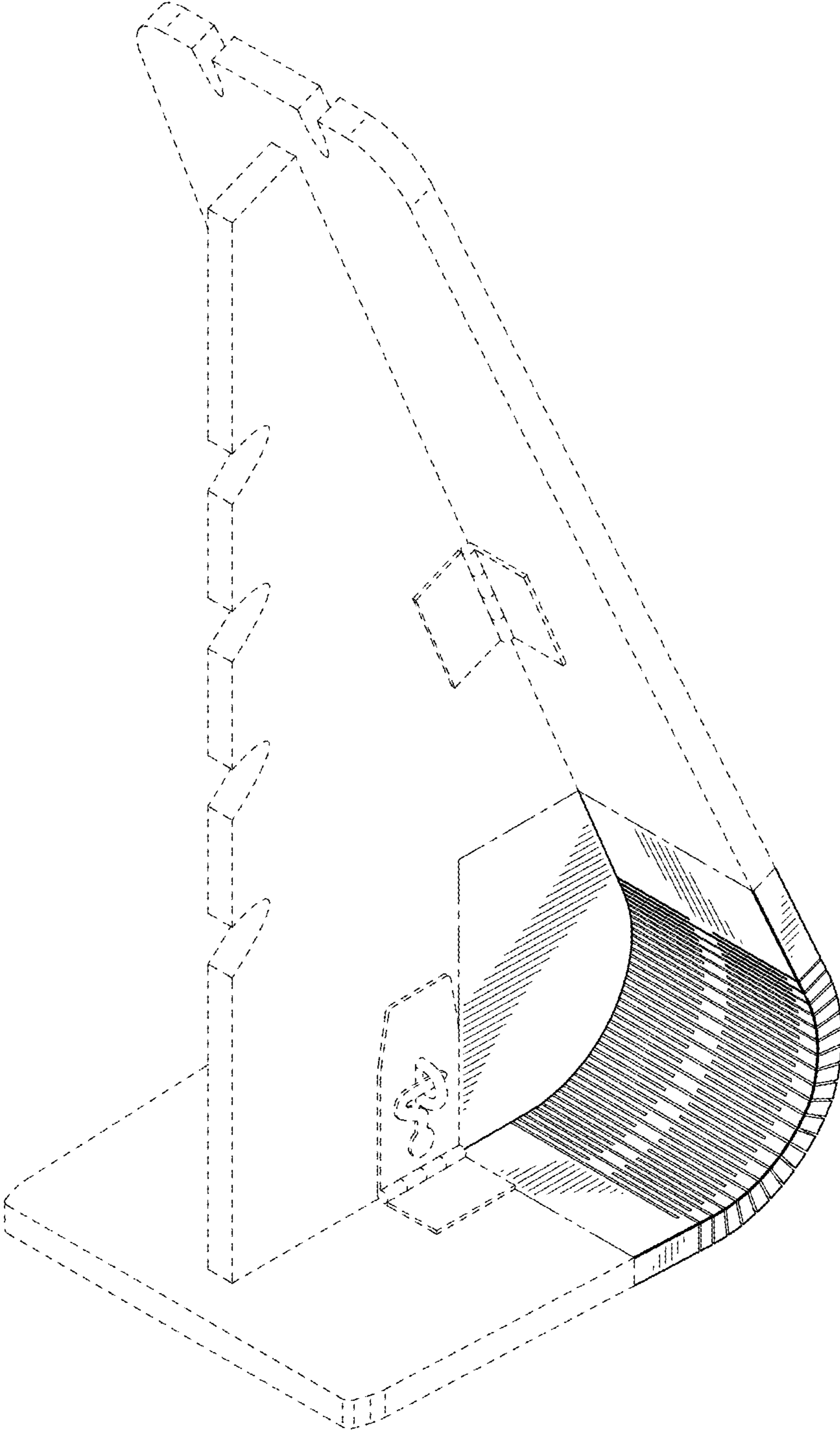


FIG. 1

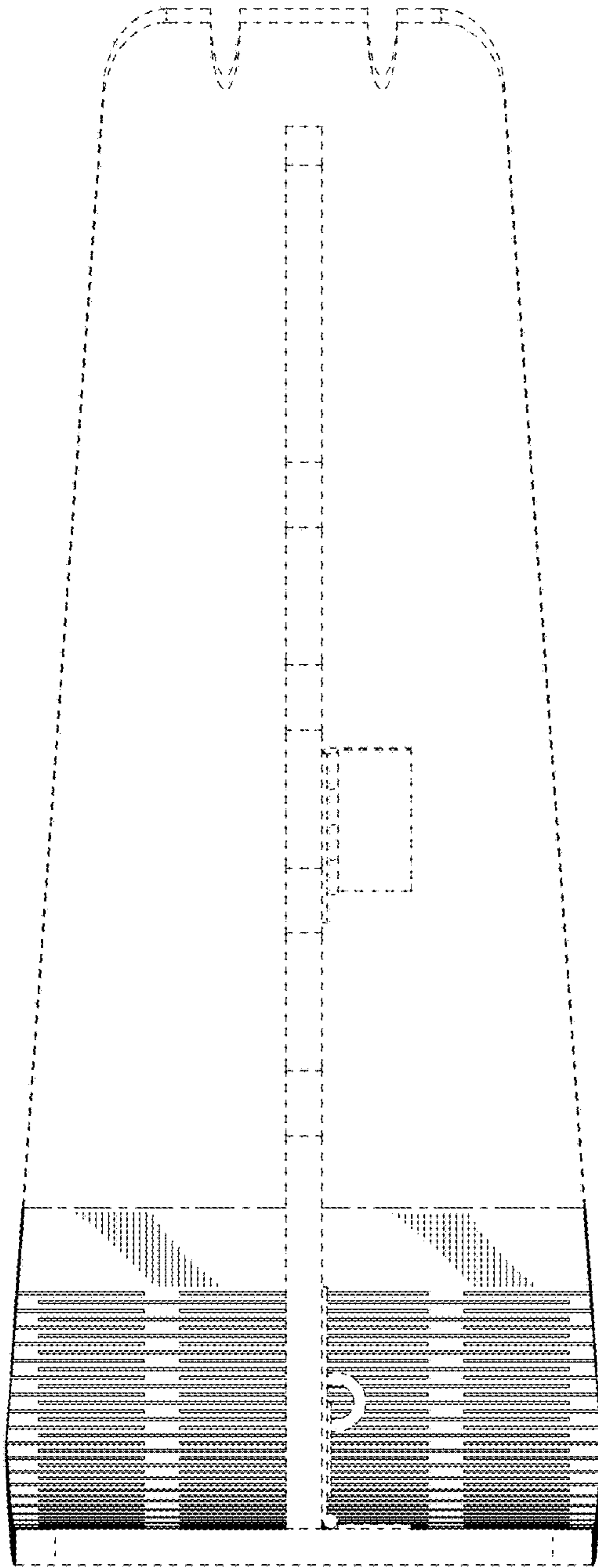


FIG. 2

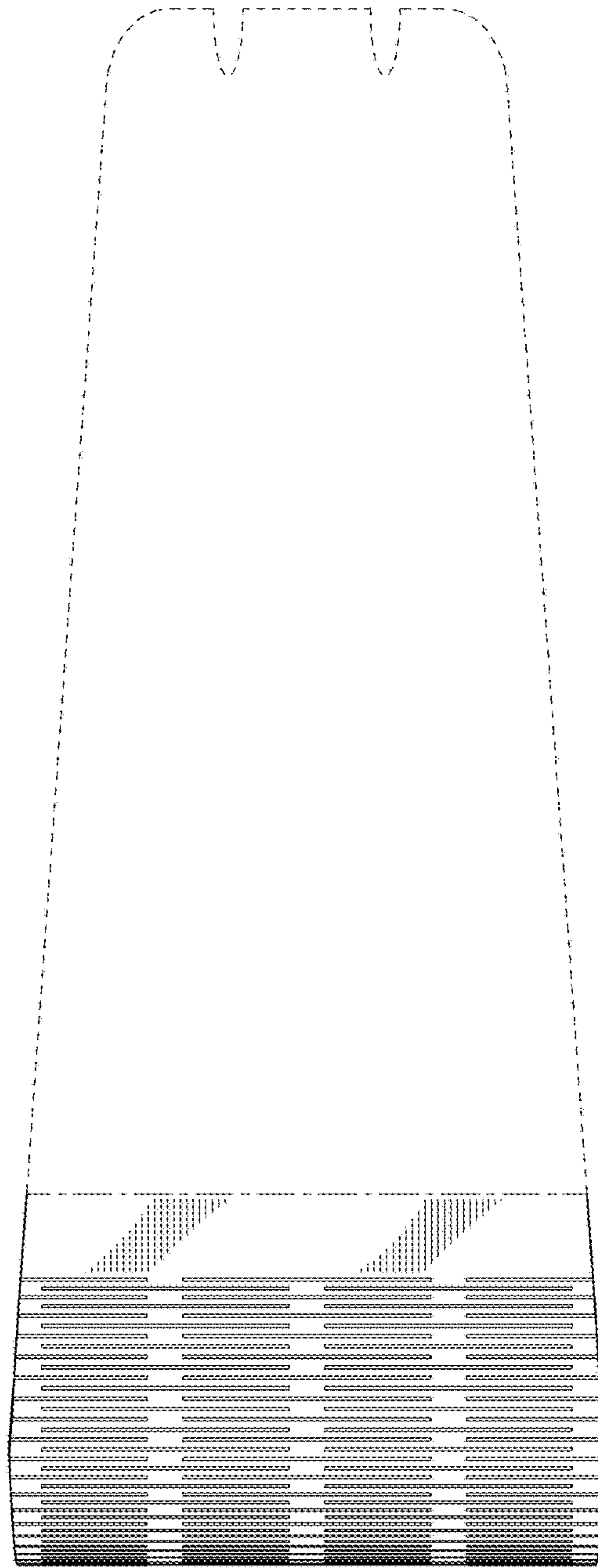


FIG. 3

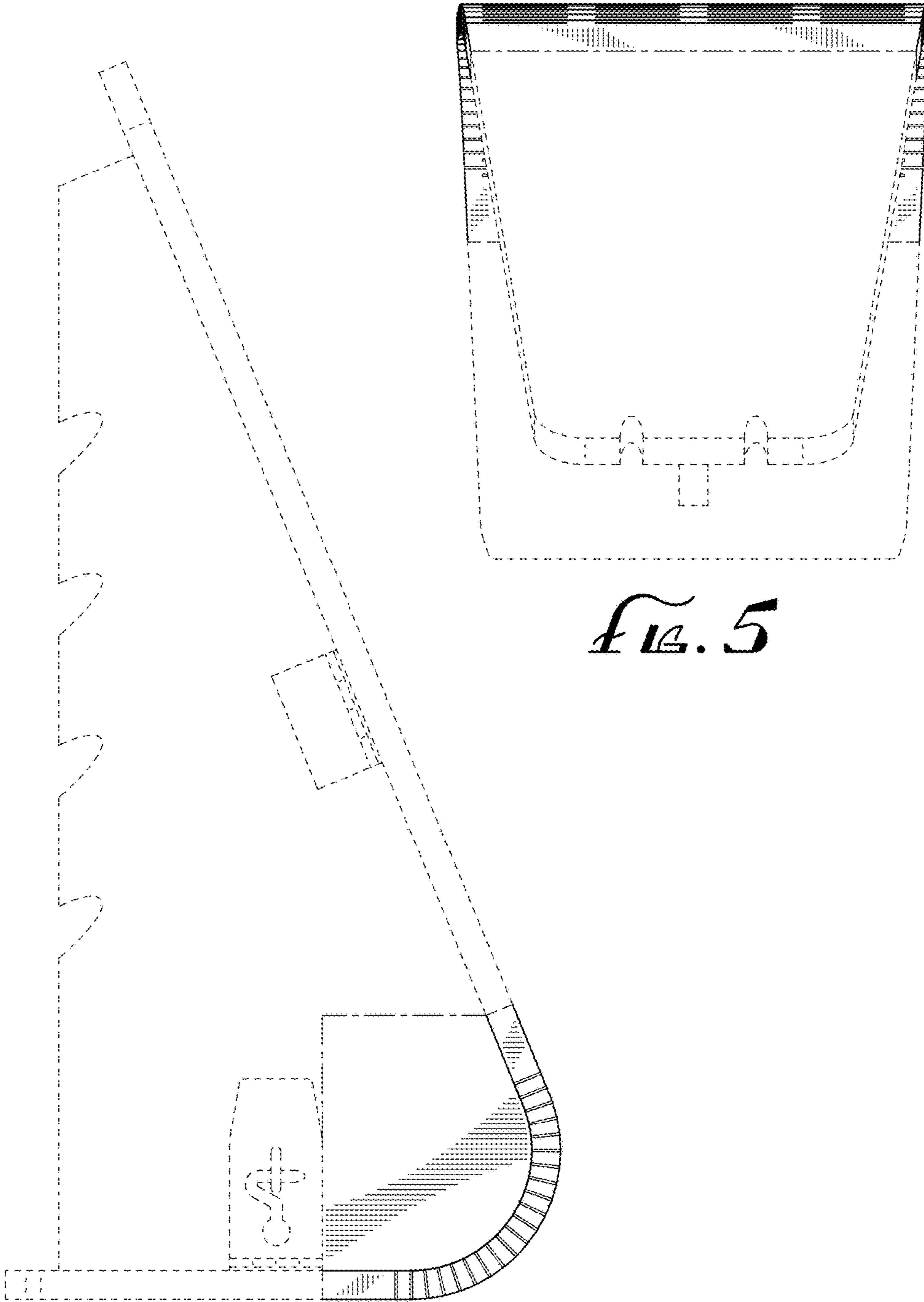


FIG. 5

FIG. 4

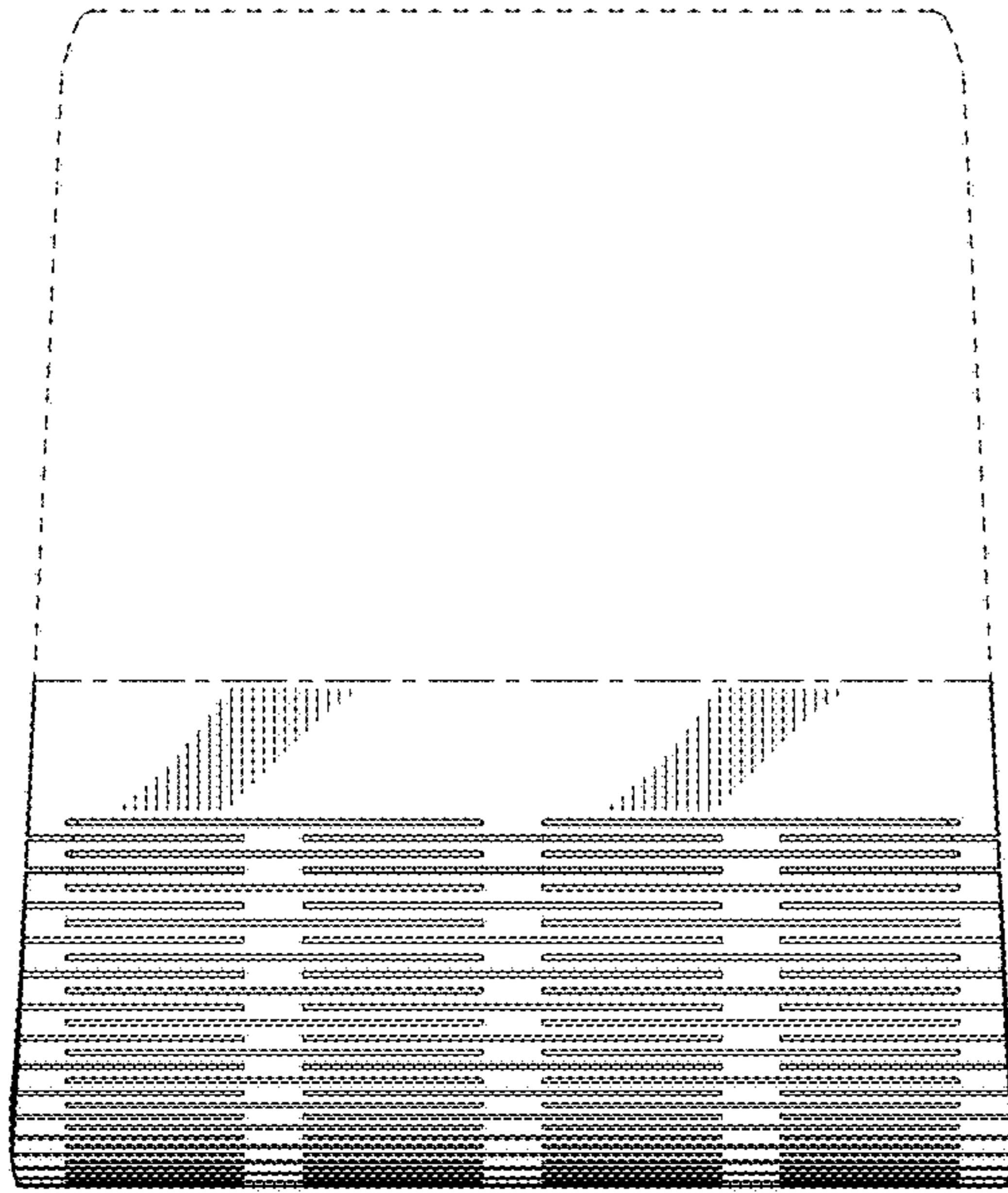


FIG. 6

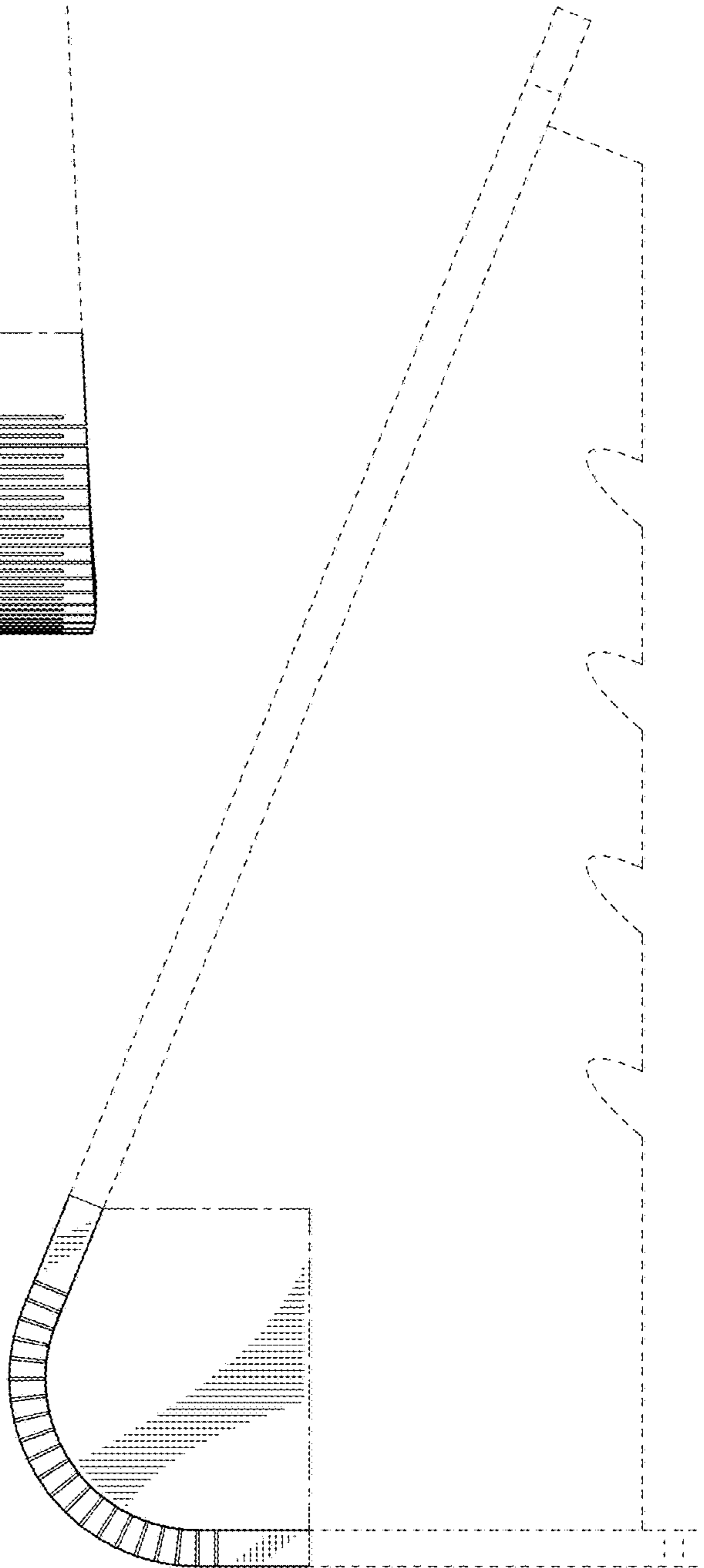


FIG. 7

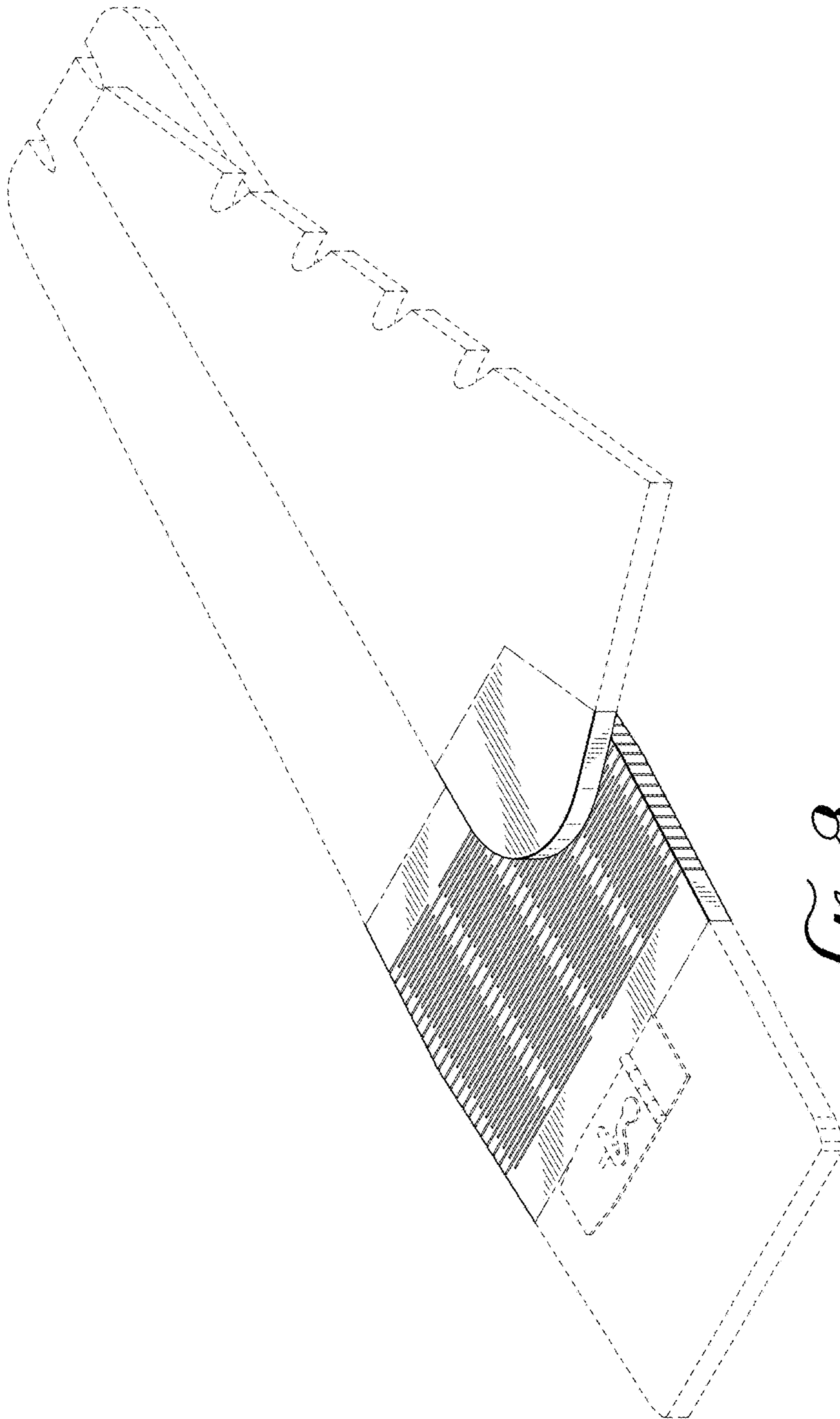


FIG. 3