



US00D808690S

(12) **United States Design Patent** (10) **Patent No.:** **US D808,690 S**  
**Hsu** (45) **Date of Patent:** **\*\* Jan. 30, 2018**

- (54) **UTILITY RACK**
- (71) Applicant: **Seville Classics Inc.**, Torrance, CA (US)
- (72) Inventor: **Li-Han Hsu**, Torrance, CA (US)
- (73) Assignee: **Seville Classics, Inc.**, Torrance, CA (US)
- (\*\*) Term: **15 Years**
- (21) Appl. No.: **29/575,537**
- (22) Filed: **Aug. 25, 2016**

**Related U.S. Application Data**

- (63) Continuation-in-part of application No. 29/568,554, filed on Jun. 20, 2016, now Pat. No. Des. 787,242, which is a continuation-in-part of application No. 29/525,381, filed on Apr. 29, 2015, now Pat. No. Des. 762,402.
- (51) **LOC (11) Cl.** ..... **06-06**
- (52) **U.S. Cl.**  
USPC ..... **D6/675.2**
- (58) **Field of Classification Search**  
USPC ..... D6/672, 675, 675.1, 675.2, 675.3, 675.4, D6/675.5  
CPC ..... A47F 1/00; A47B 96/00; A47B 96/02; A47B 47/00; A47B 47/021  
See application file for complete search history.

(56) **References Cited**

**U.S. PATENT DOCUMENTS**

- 3,252,434 A \* 5/1966 Young, Jr. .... A47F 5/13 108/181
- D291,165 S \* 8/1987 Ray ..... D6/675.2
- 5,779,070 A \* 7/1998 Dickinson ..... A47B 57/265 211/181.1
- D424,836 S \* 5/2000 Kopala, Jr. .... D6/675.2

- D432,820 S \* 10/2000 Walters-Dowding ..... D6/675.2
- 6,260,488 B1 \* 7/2001 Yang ..... A47B 57/545 108/107
- D602,712 S \* 10/2009 Ho ..... D6/675.2
- D626,356 S \* 11/2010 Ho ..... D6/675.2
- D637,427 S \* 5/2011 Troyner ..... D6/705.6
- D683,983 S \* 6/2013 Troyner ..... D6/675.2
- D699,485 S \* 2/2014 Hsu ..... D6/675.1
- D703,467 S \* 4/2014 Ho ..... D6/675.1
- D703,468 S \* 4/2014 Ho ..... D6/675.1
- D704,482 S \* 5/2014 Hsu ..... D6/675.1
- D724,357 S \* 3/2015 Lim ..... A47B 47/00 D6/675.1
- D731,212 S \* 6/2015 Hsu ..... D6/675.2
- D734,966 S \* 7/2015 Greenspon ..... D6/675.2
- D739,681 S \* 9/2015 Bee ..... D7/600.4
- D742,664 S \* 11/2015 Hsu ..... D6/675.5
- D762,402 S \* 8/2016 Hsu ..... D6/675.5
- D785,995 S \* 5/2017 Tsai ..... D6/675.1

(Continued)

*Primary Examiner* — Kelley Donnelly

(74) *Attorney, Agent, or Firm* — Raymond Sun

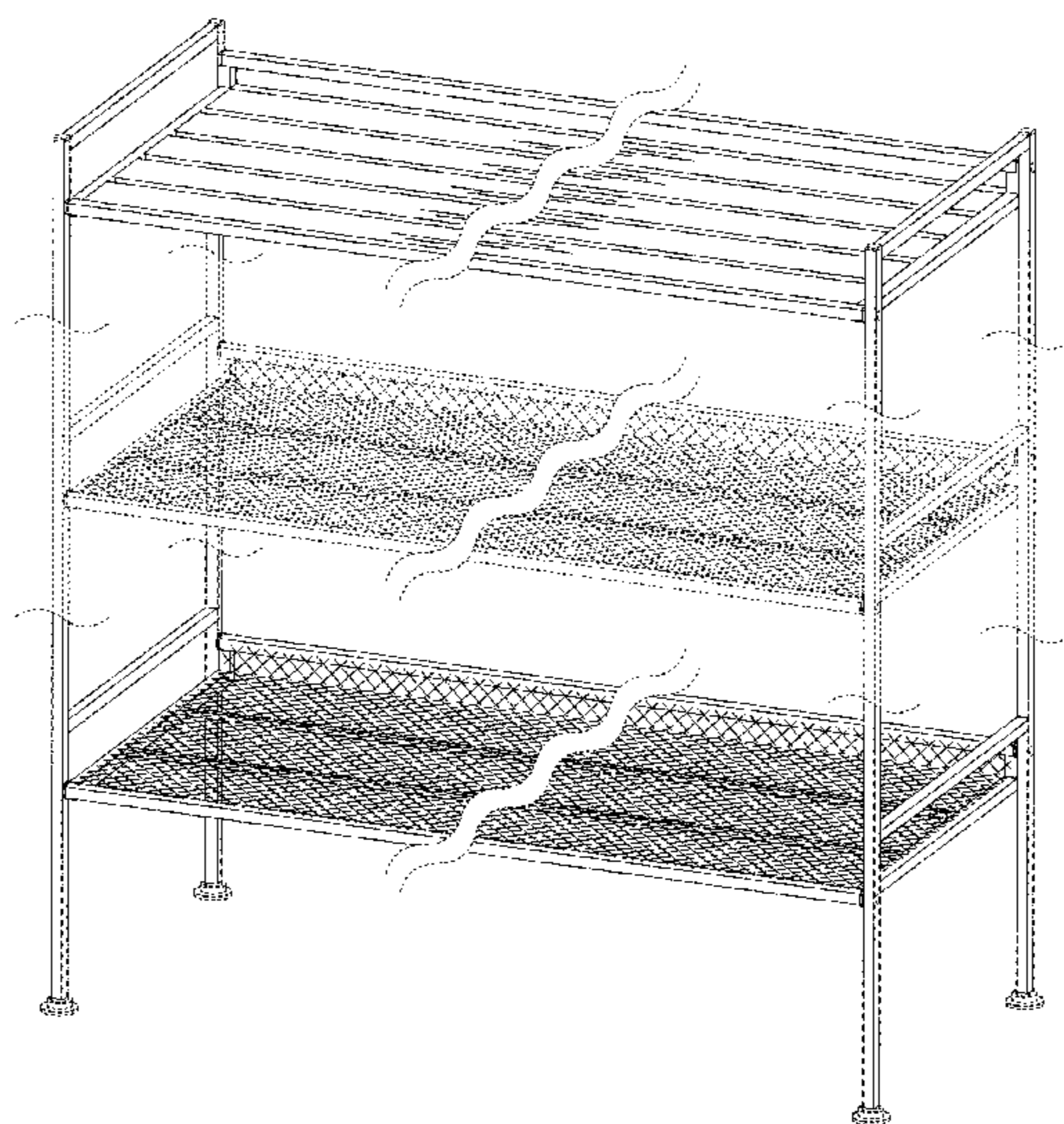
(57) **CLAIM**

The ornamental design for a utility rack, as shown and described.

**DESCRIPTION**

FIG. 1 is a perspective view of a utility rack; FIG. 2 is a front plan view thereof; FIG. 3 is a right plan view thereof; FIG. 4 is a left plan view thereof; FIG. 5 is a top plan view thereof; FIG. 6 is a bottom plan view thereof; and, FIG. 7 is a rear plan view thereof. The broken lines in the drawings indicate unclaimed portions and form no part of the claimed design. The break lines shown in FIGS. 1 through 7 are not part of the claimed design and represent that no particular length is claimed.

**1 Claim, 7 Drawing Sheets**



(56)

**References Cited**

U.S. PATENT DOCUMENTS

D787,242 S *	5/2017	Hsu .....	D6/675.2
2008/0203042 A1 *	8/2008	Felsenthal .....	A47B 47/027 211/153
2010/0181274 A1 *	7/2010	Vargo .....	A47B 57/50 211/187
2011/0233164 A1 *	9/2011	Chang .....	A47B 57/14 211/188
2011/0240571 A1 *	10/2011	Ho .....	A47B 47/021 211/13.1

\* cited by examiner

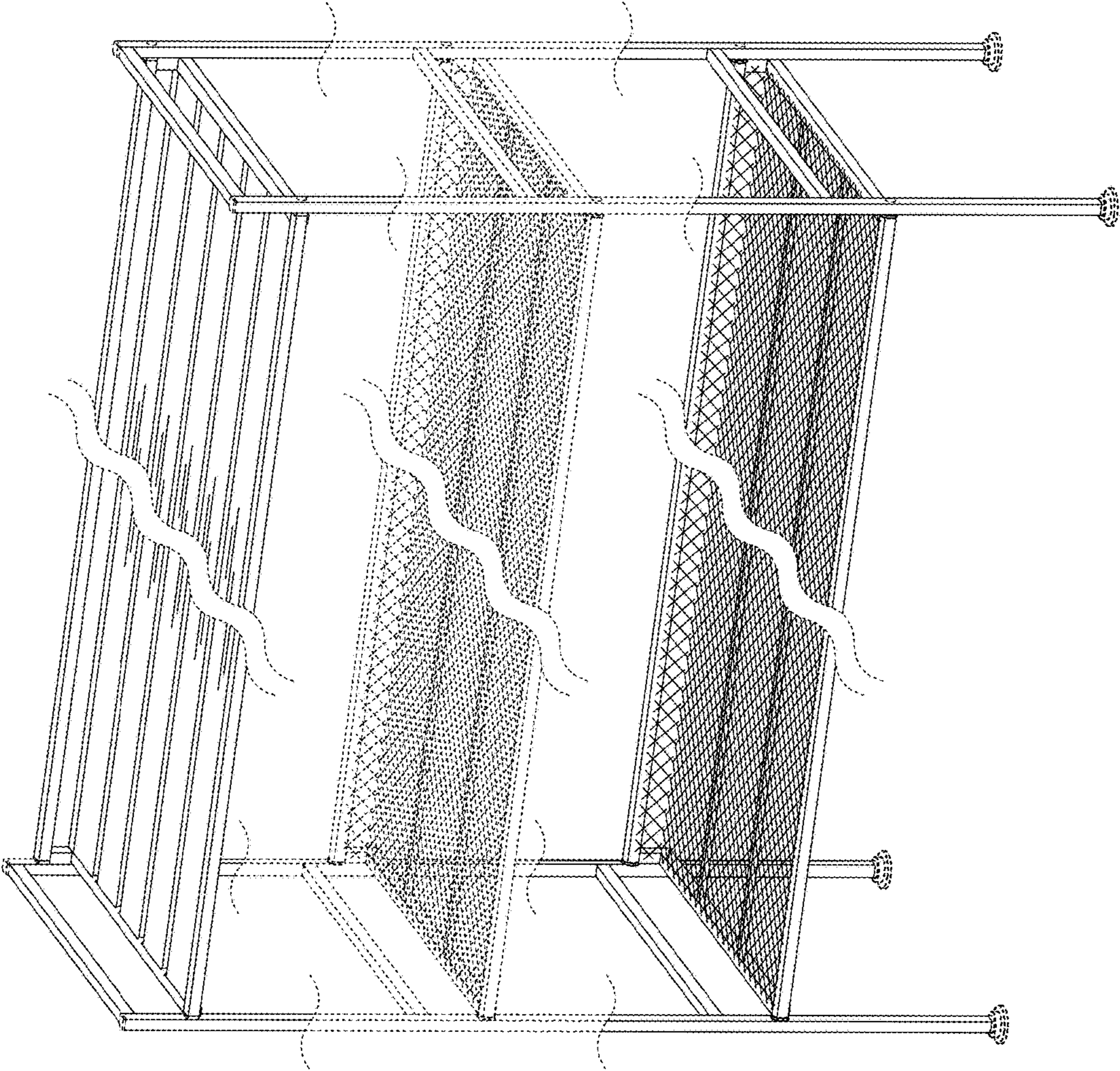


FIG. 1

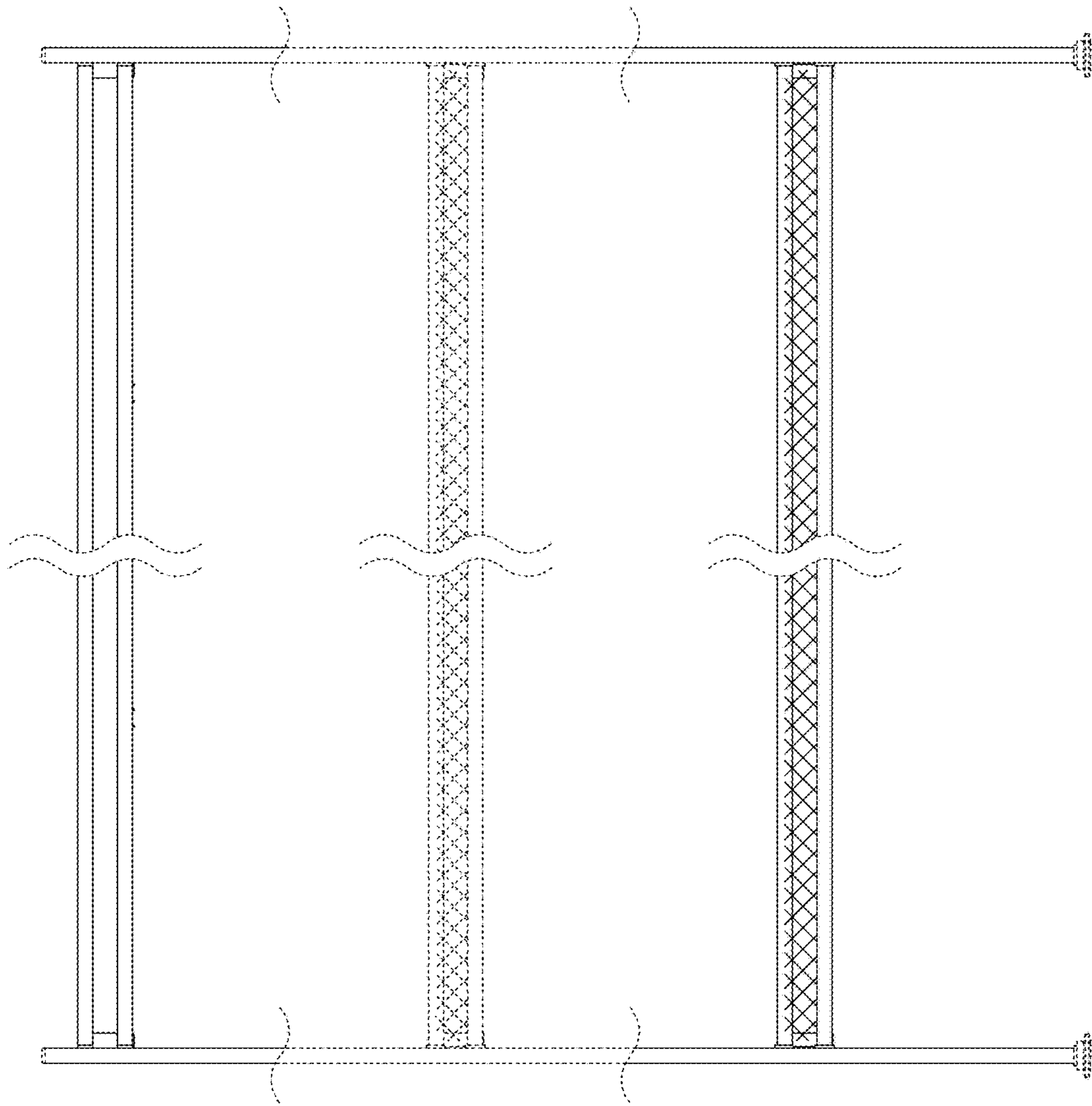


FIG. 2

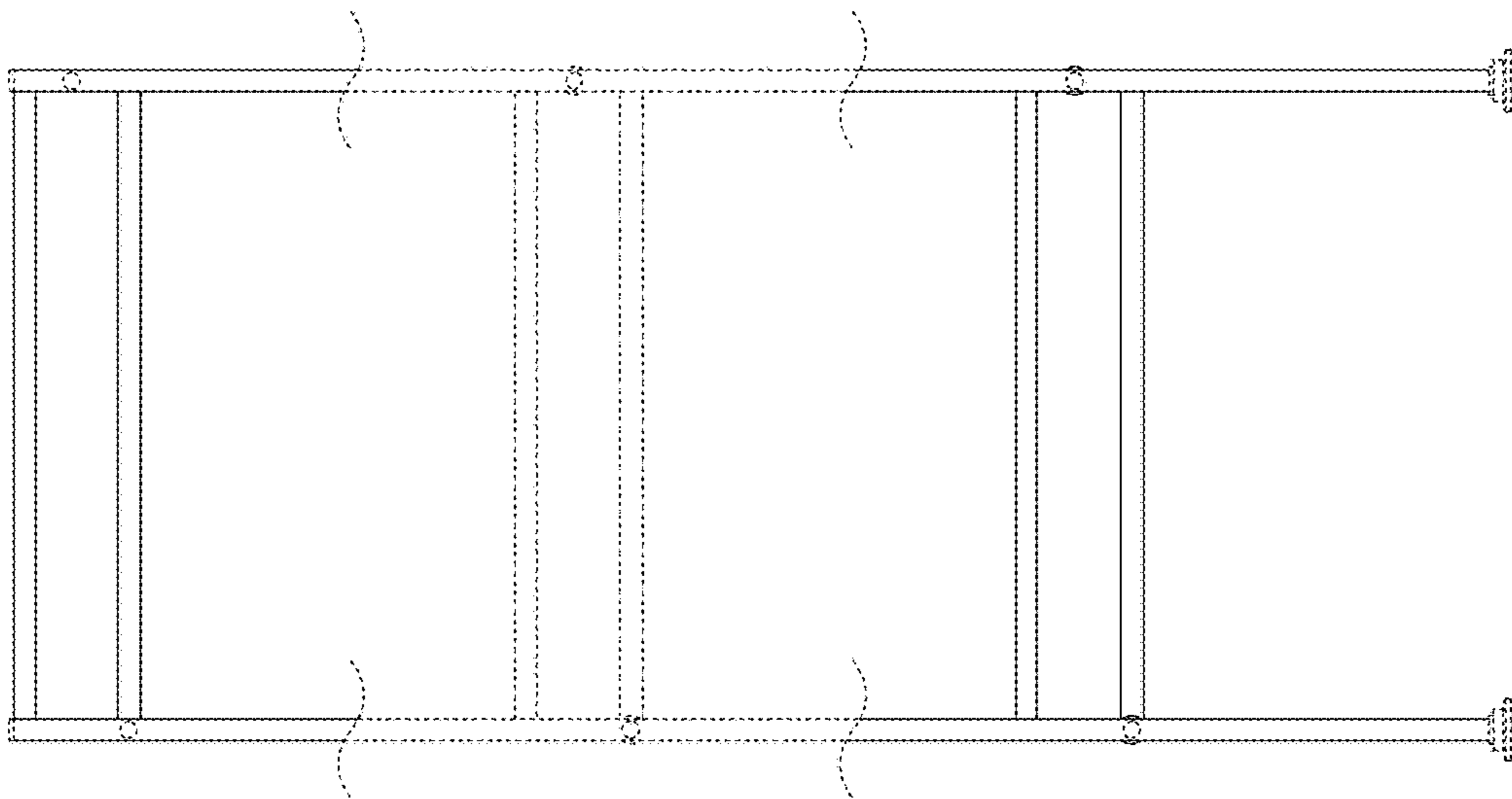


FIG. 3

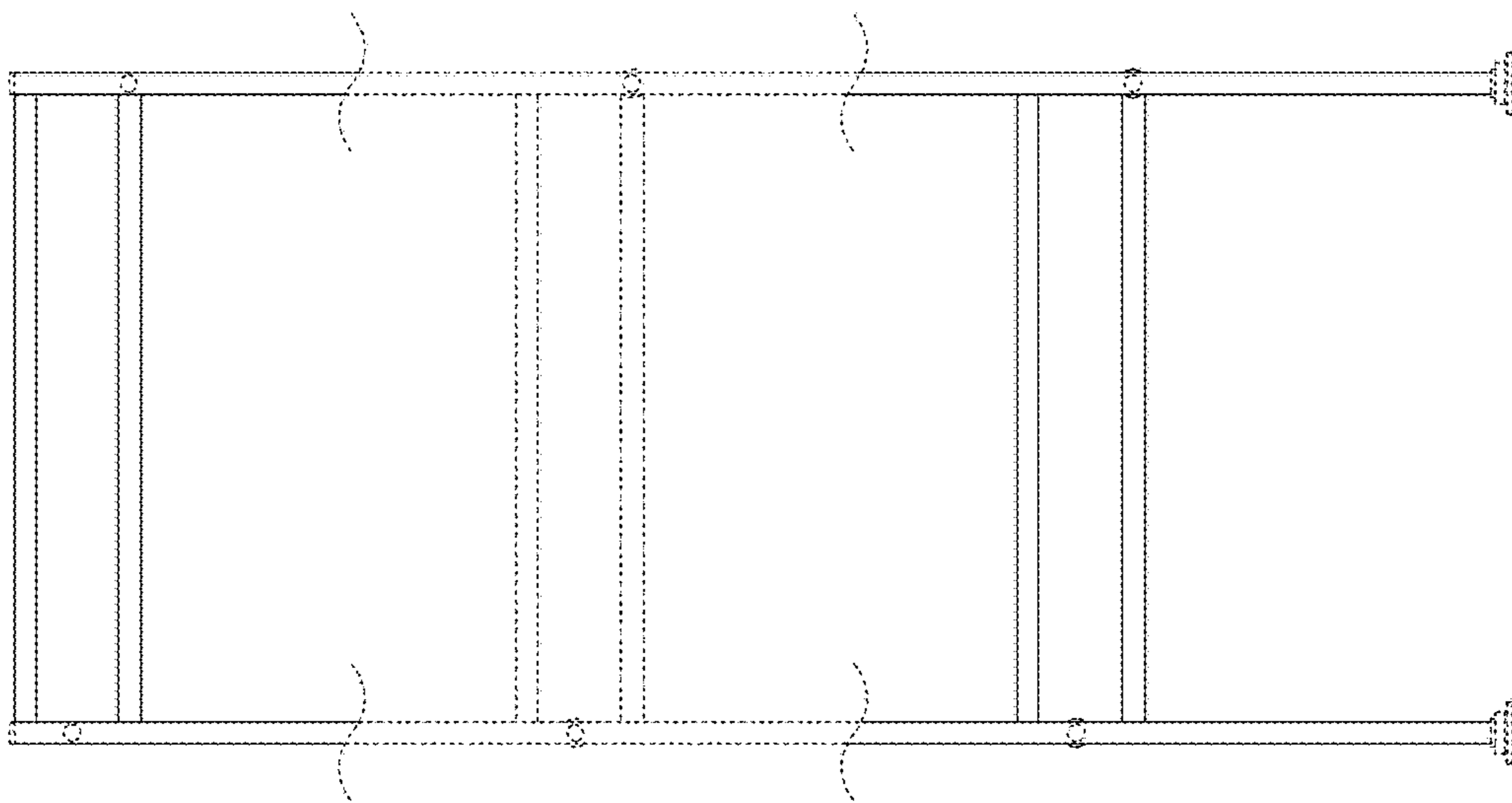


FIG. 4

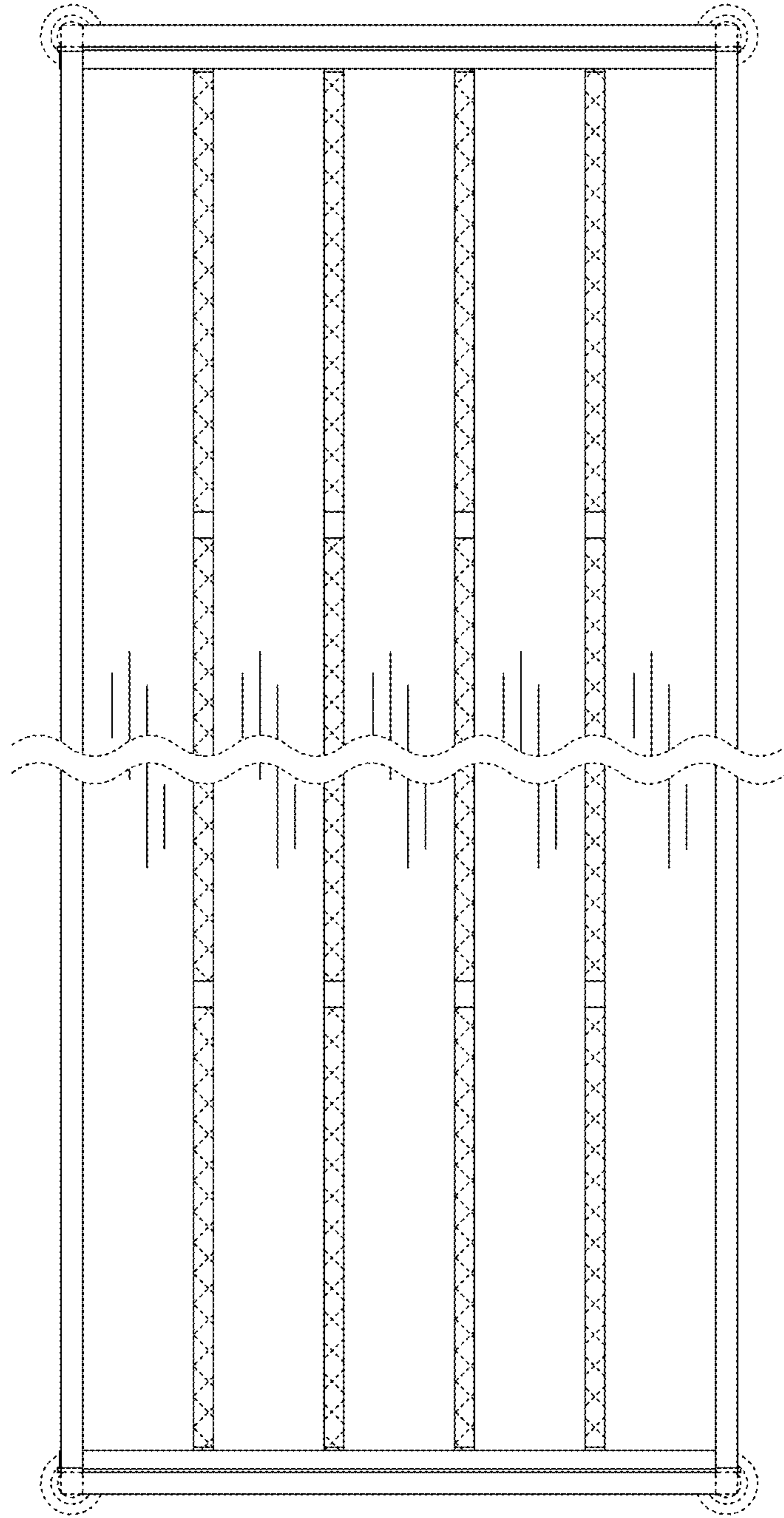


FIG. 5

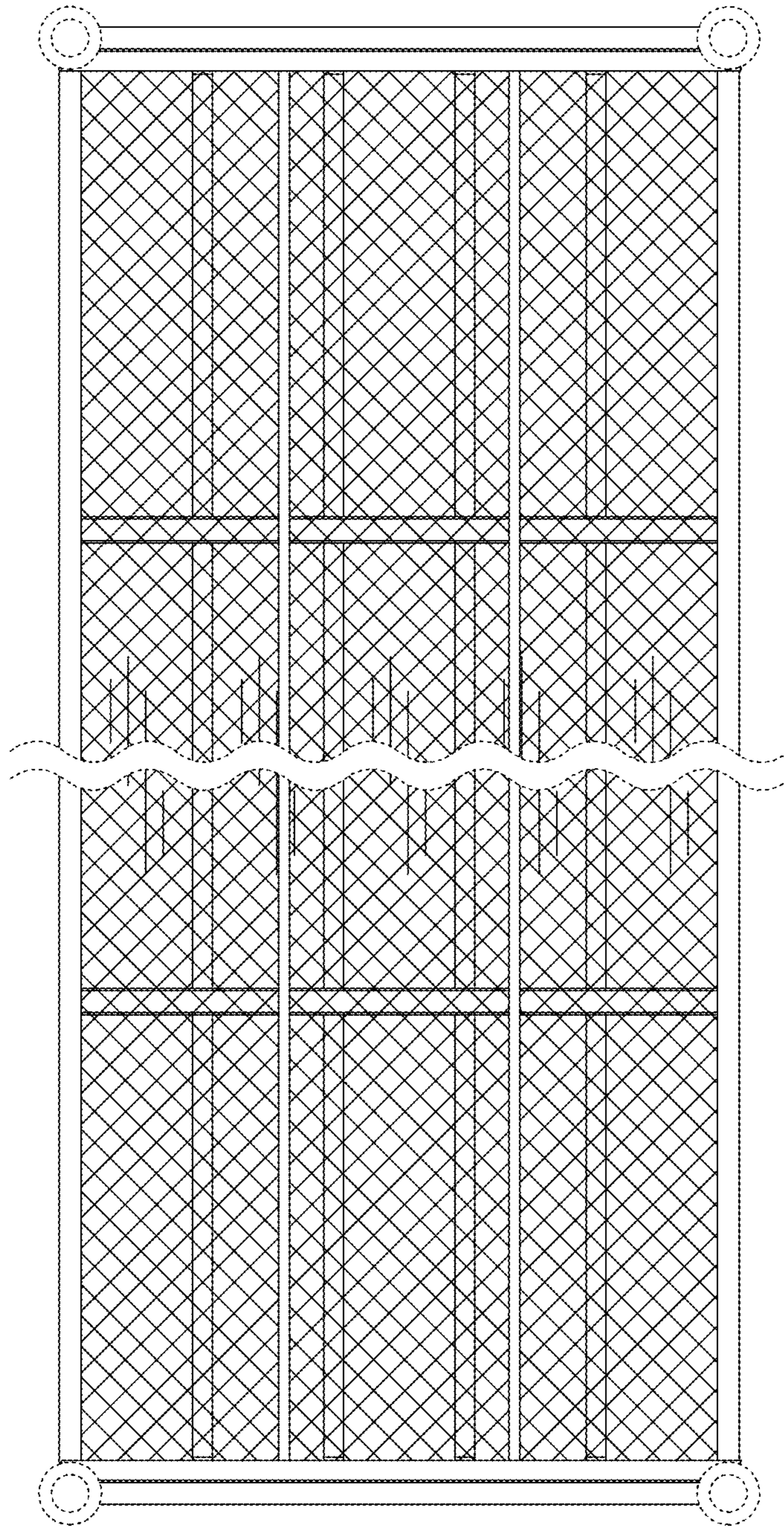


FIG. 6



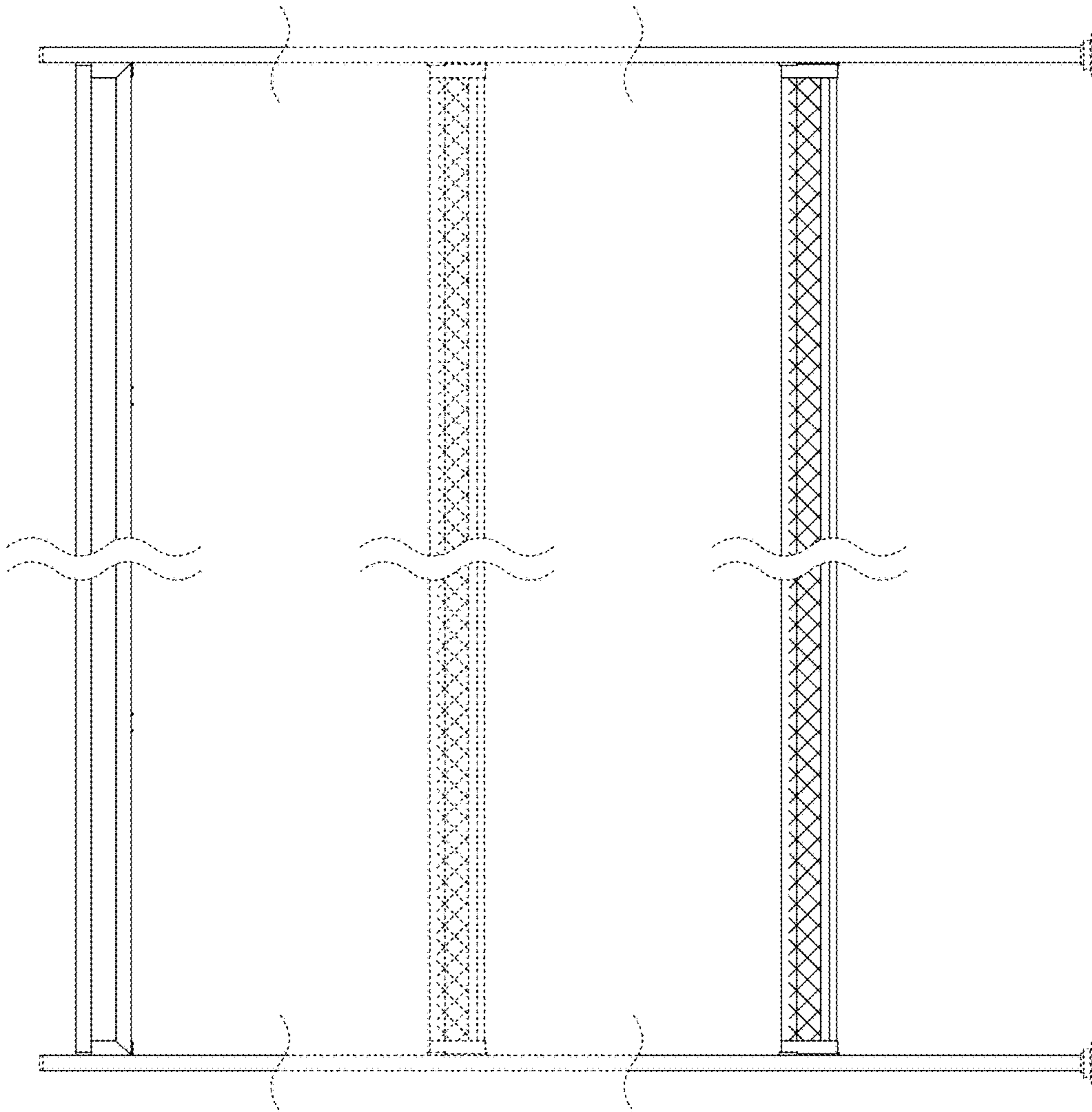


FIG. 7