



US00D808689S

(12) **United States Design Patent** (10) **Patent No.:** **US D808,689 S**
Rieger (45) **Date of Patent:** **** Jan. 30, 2018**

(54) **FURNITURE WITH COMPARTMENTS**

(71) Applicant: **Oliver Rieger**, Illertissen (DE)

(72) Inventor: **Oliver Rieger**, Illertissen (DE)

(**) Term: **15 Years**

(21) Appl. No.: **35/500,917**

(22) Filed: **Mar. 30, 2016**

(80) **Hague Agreement Data**

Int. Filing Date: **Mar. 30, 2016**

Int. Reg. No.: **DM/090343**

Int. Reg. Date: **Mar. 30, 2016**

Int. Reg. Pub. Date: **May 6, 2016**

(30) **Foreign Application Priority Data**

Oct. 7, 2015 (DE) 40 2015 101 068

(51) **LOC (11) Cl.** **06-04**

(52) **U.S. Cl.**
USPC **D6/667**

(58) **Field of Classification Search**

USPC ... D6/657, 663–665, 668, 668.1, 668.2, 671,
D6/672, 675, 675.1, 675.3; D21/671;
D25/63

CPC A47B 43/00; A47B 55/00; A47B 67/00;
A47F 3/00; A47F 3/0404; A47F 5/00;
A63B 17/04; A63B 22/04

See application file for complete search history.

(56) **References Cited**

U.S. PATENT DOCUMENTS

D28,415 S * 3/1898 Warren 206/561
3,035,671 A * 5/1962 Sicherman E06C 1/005
108/100
5,558,603 A * 9/1996 Simon A63B 23/0458
482/51
D543,383 S * 5/2007 Edison D6/675.3
D738,140 S * 9/2015 Bartelmuss D6/664

(Continued)

OTHER PUBLICATIONS

Sport Winners Podium—Getty Images <http://www.gettyimages.com/detail/photo/sports-winners-podium-royalty-free-image/138077518> retrieved from the internet on Apr. 28, 2017.*

Primary Examiner — Mary Ann Calabrese

(74) *Attorney, Agent, or Firm* — Collard & Roe, P.C.

(57) **CLAIM**

The ornamental design for a furniture with compartments, as shown and described.

DESCRIPTION

1.1 is a front, top and left side perspective view of furniture with compartments, showing my new design;

1.2 is a rear, top and right side perspective view thereof, with two of the lids in a raised position;

1.3, is a front, top and left side perspective view thereof, with two of the lids in a raised position;

1.4 is a front, top and right side perspective view thereof, with two of the lids in a raised position;

1.5 is a front view thereof;

1.6 is a top view thereof;

1.7 is a front, top and right side perspective view thereof, with two of the lids in a raised position;

2.1 is a front, top and left side perspective view of furniture with compartments, showing another embodiment of my new design;

2.2 is a rear, top and left side perspective view thereof, with two of the lids in a raised position;

2.3 is a front, top and right side perspective view thereof, with two of the lids in a raised position;

2.4 is a front, top and right side perspective view thereof, with two of the lids in a raised position;

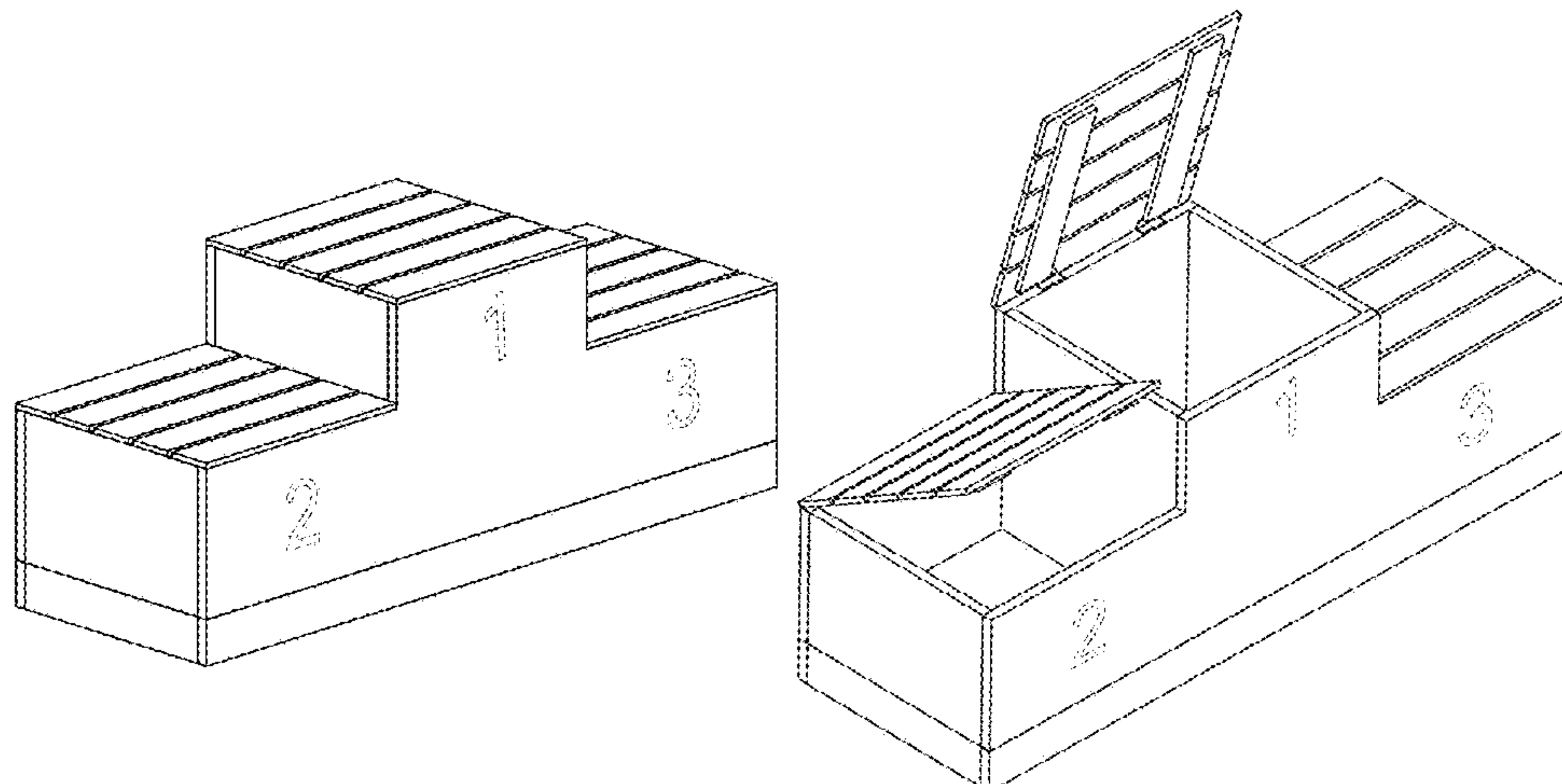
2.5 is a rear, top and left side perspective view, with two of the lids in a raised position;

2.6 is a front view thereof; and

2.7 is a top view thereof.

The features shown in broken lines form no part of the claimed design.

1 Claim, 14 Drawing Sheets



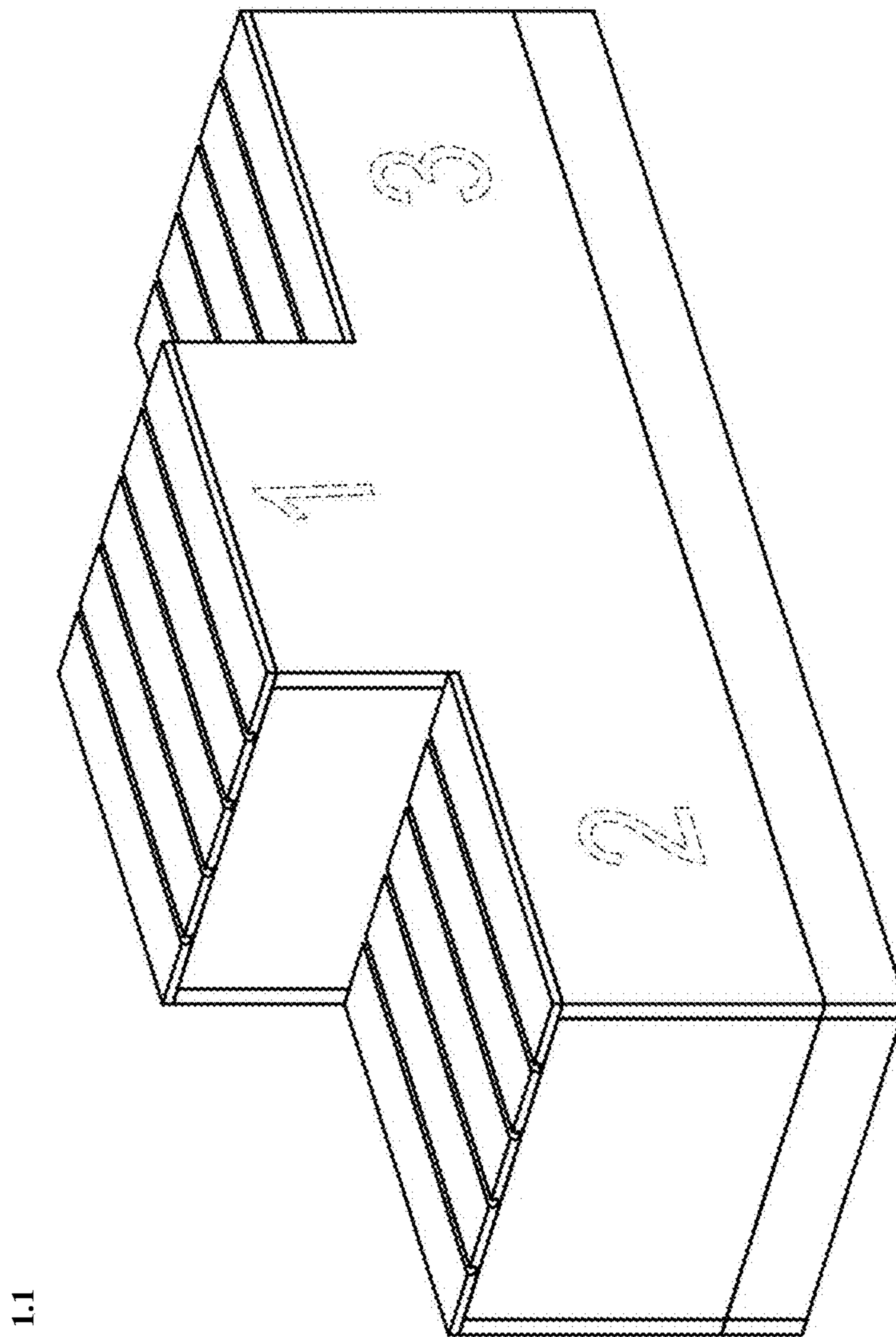
(56)

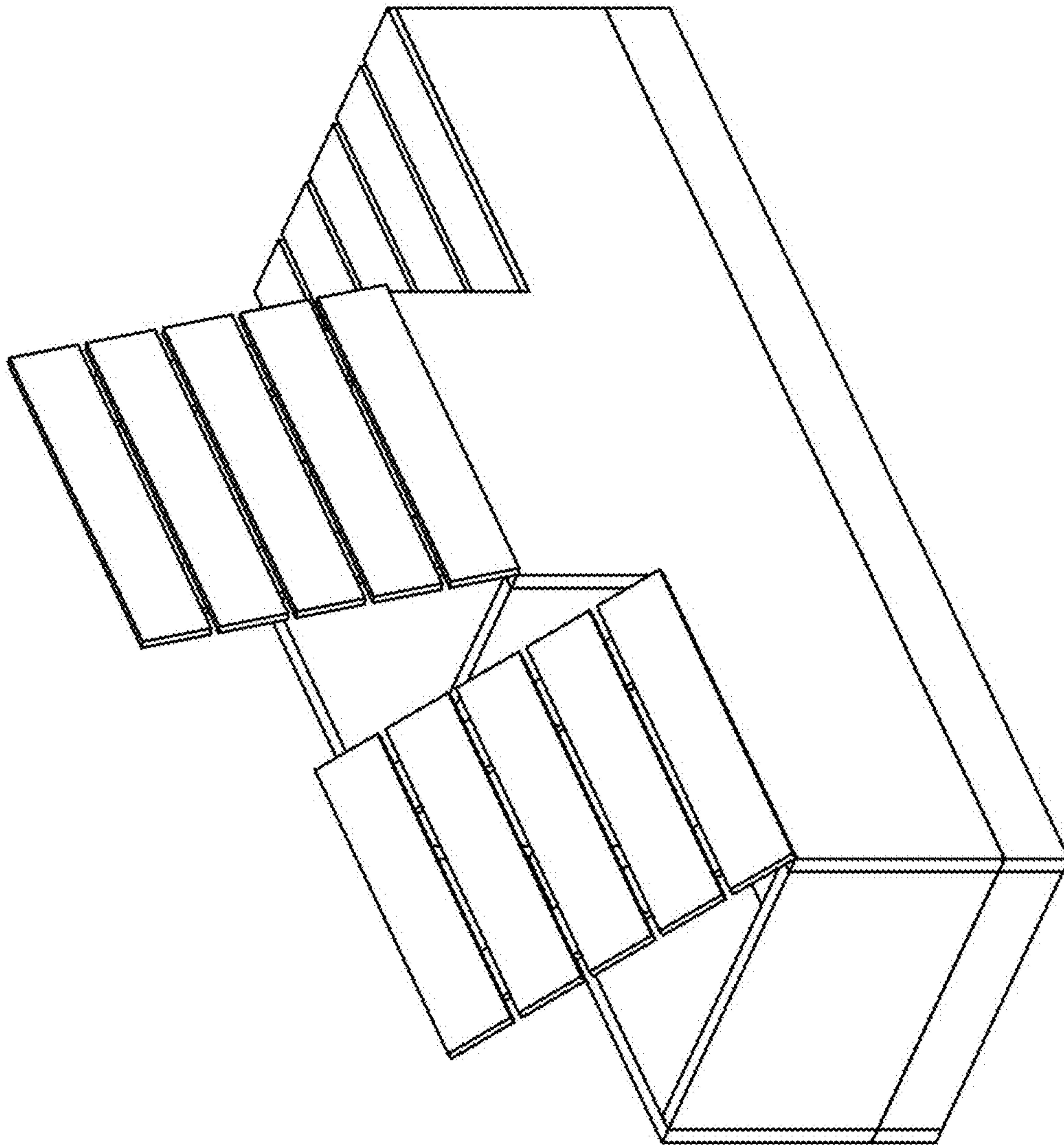
References Cited

U.S. PATENT DOCUMENTS

D760,852 S *	7/2016	Appleton	D21/671
2005/0146255 A1 *	7/2005	Sabo	A47B 67/00
			312/316
2009/0124464 A1 *	5/2009	Kastelic	A63B 17/04
			482/52

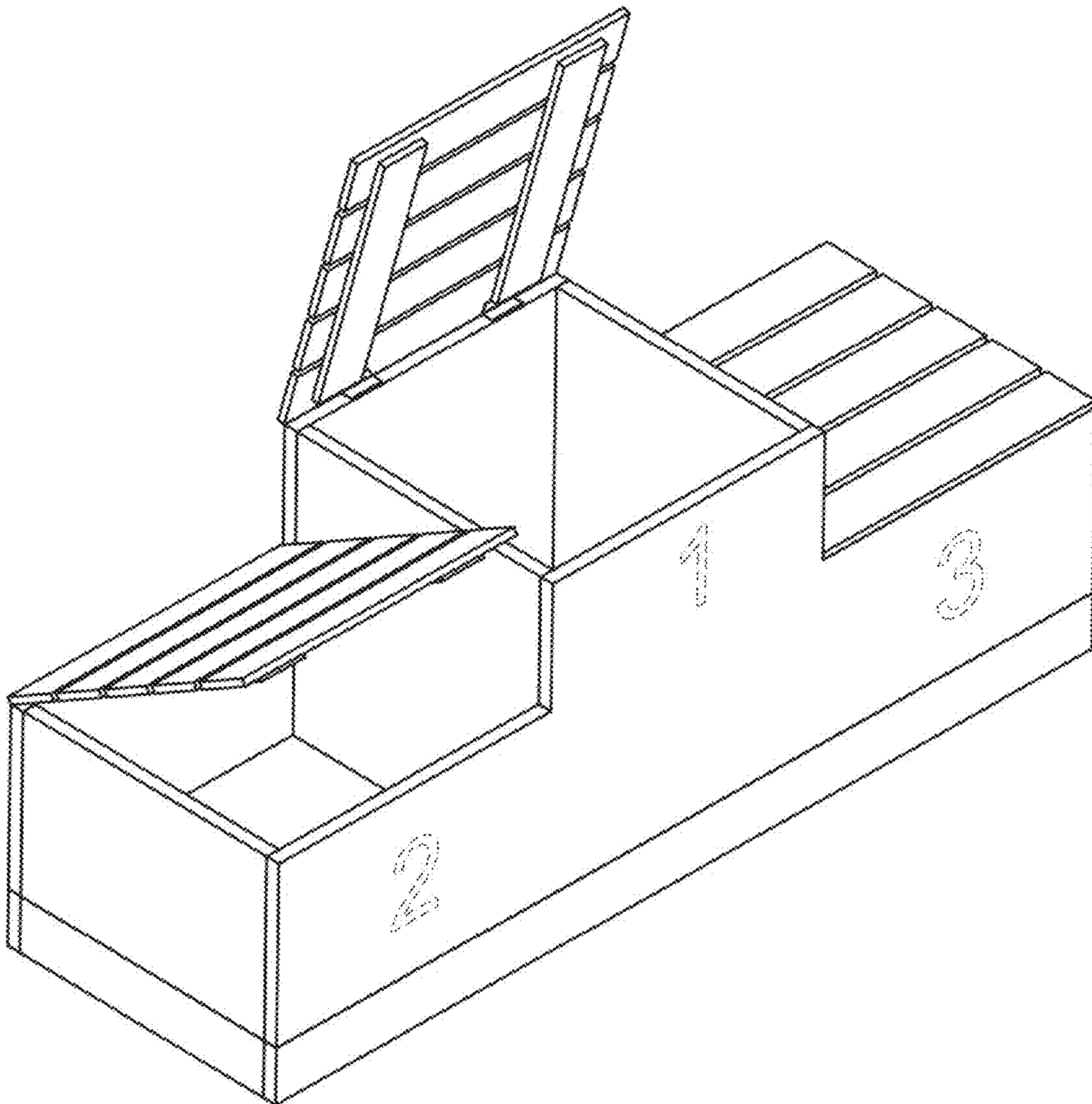
* cited by examiner



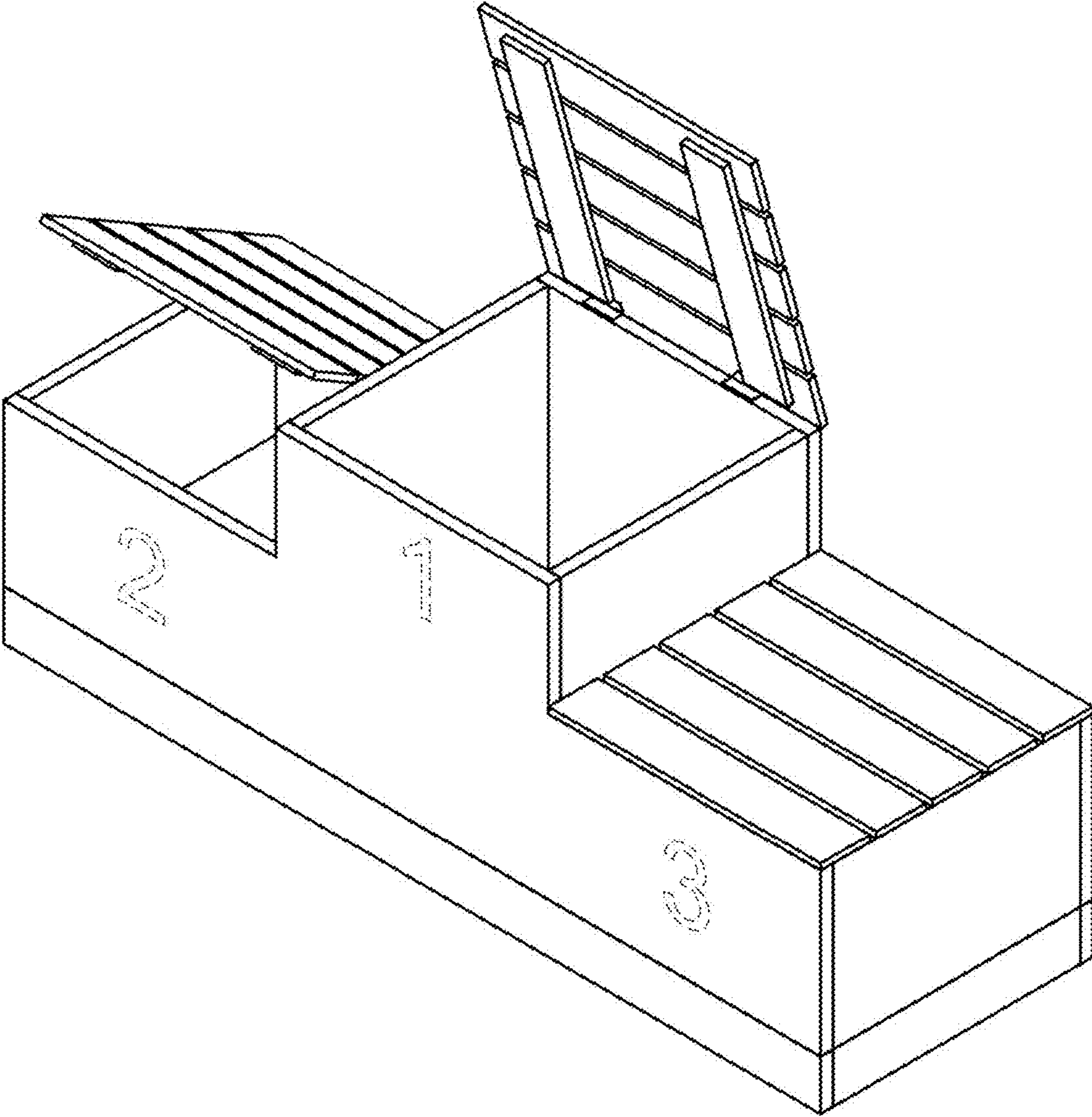


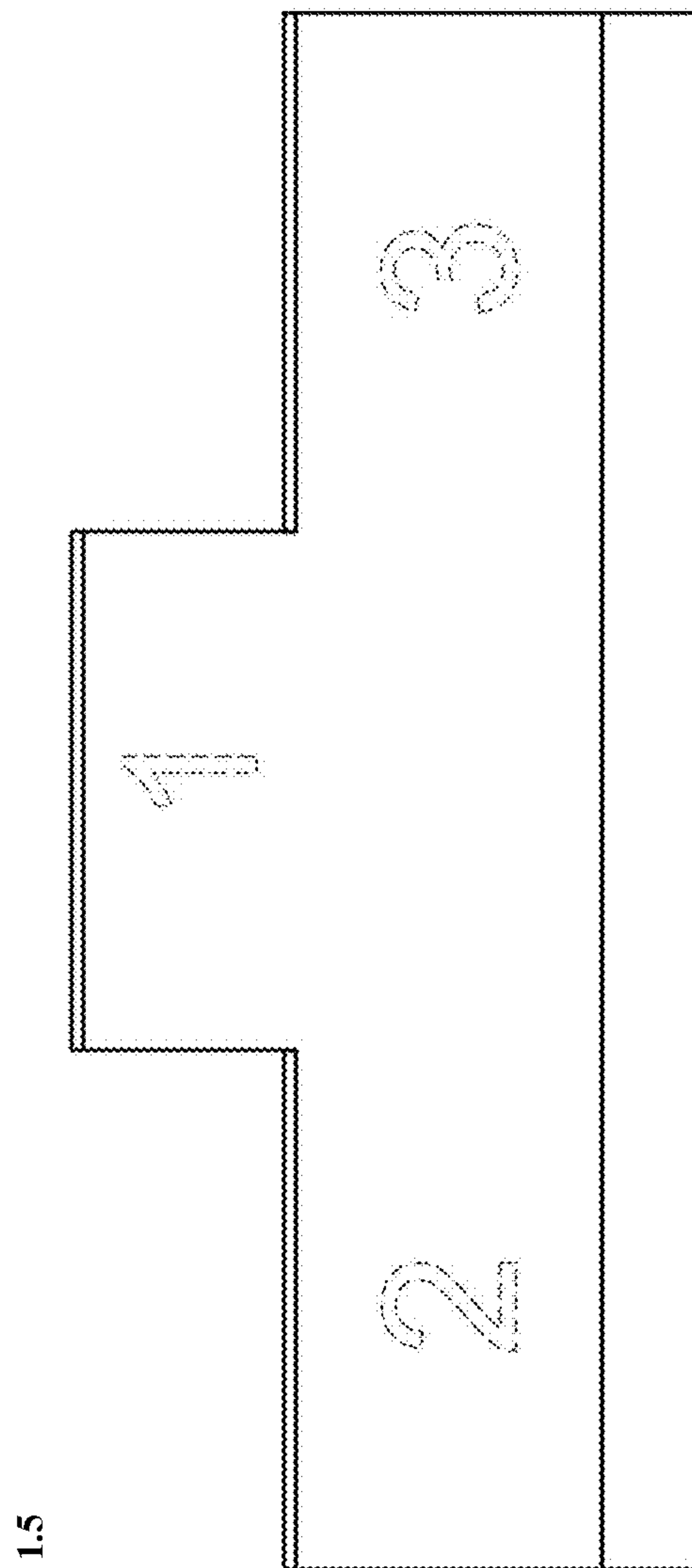
1.2

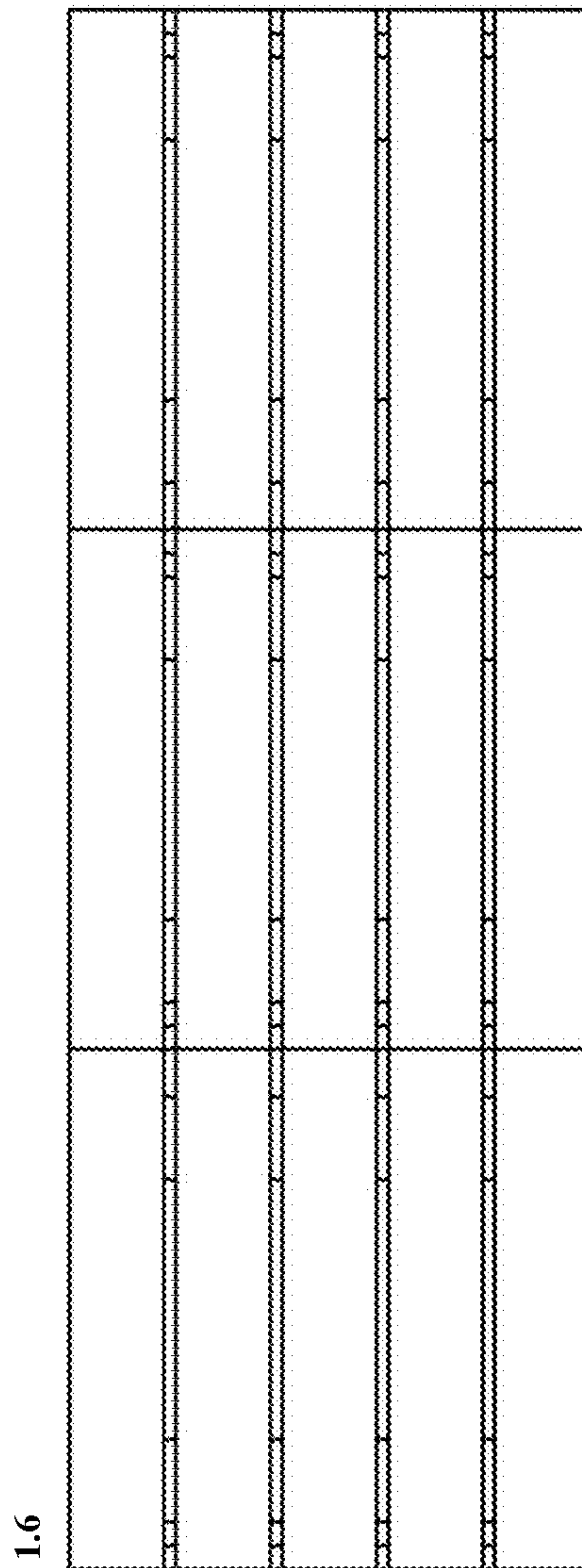
1.3



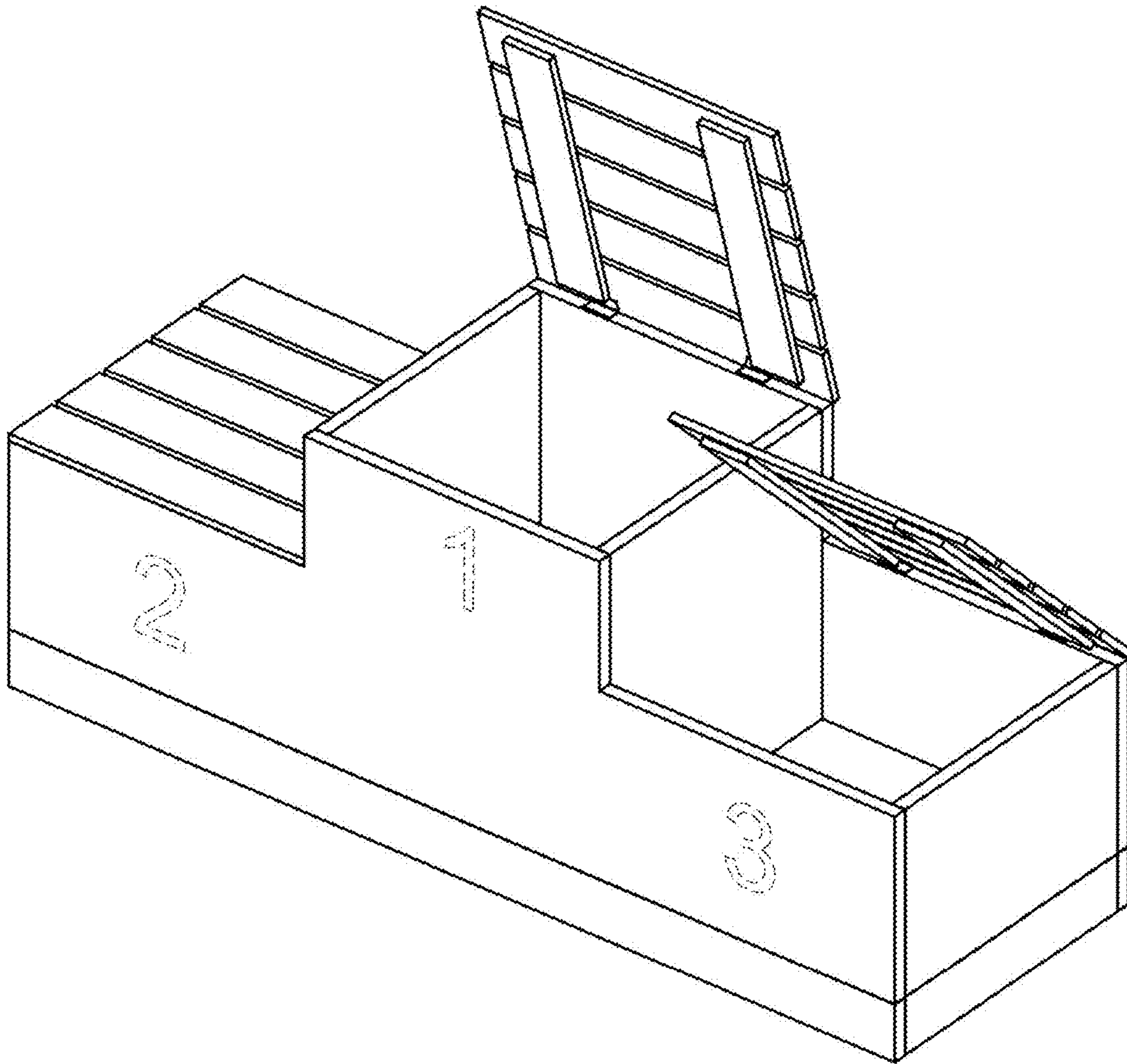
1.4

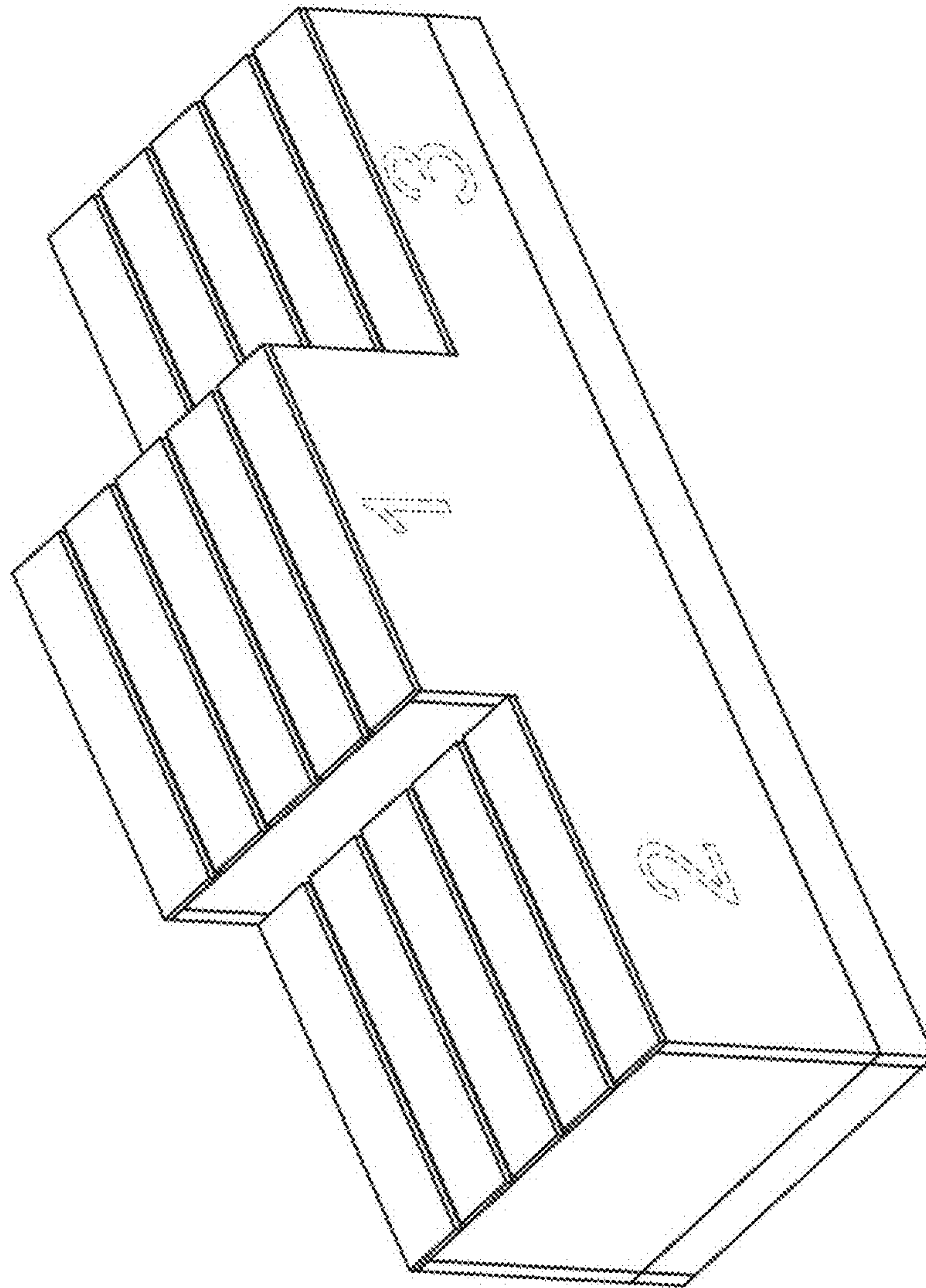




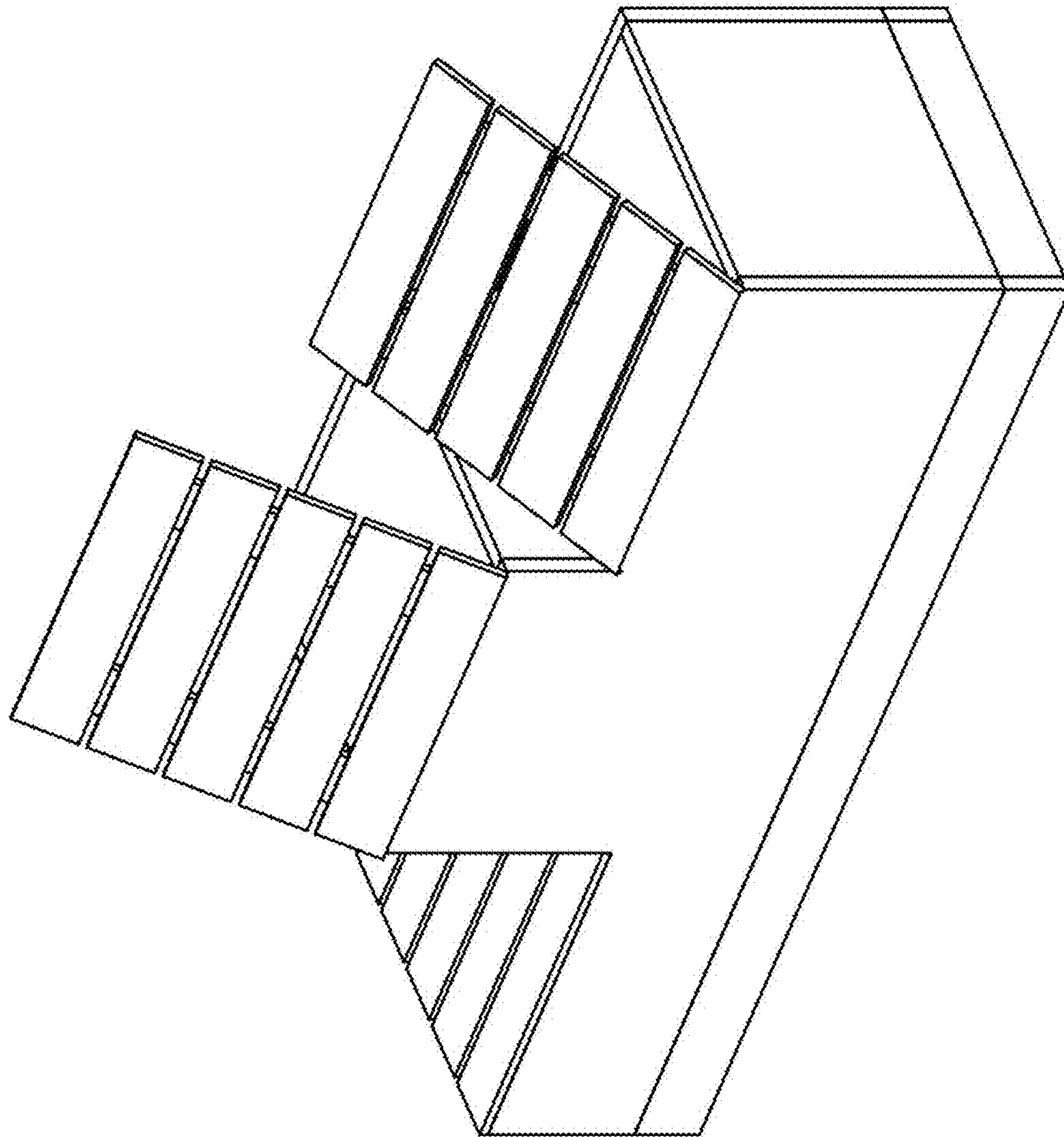


1.7



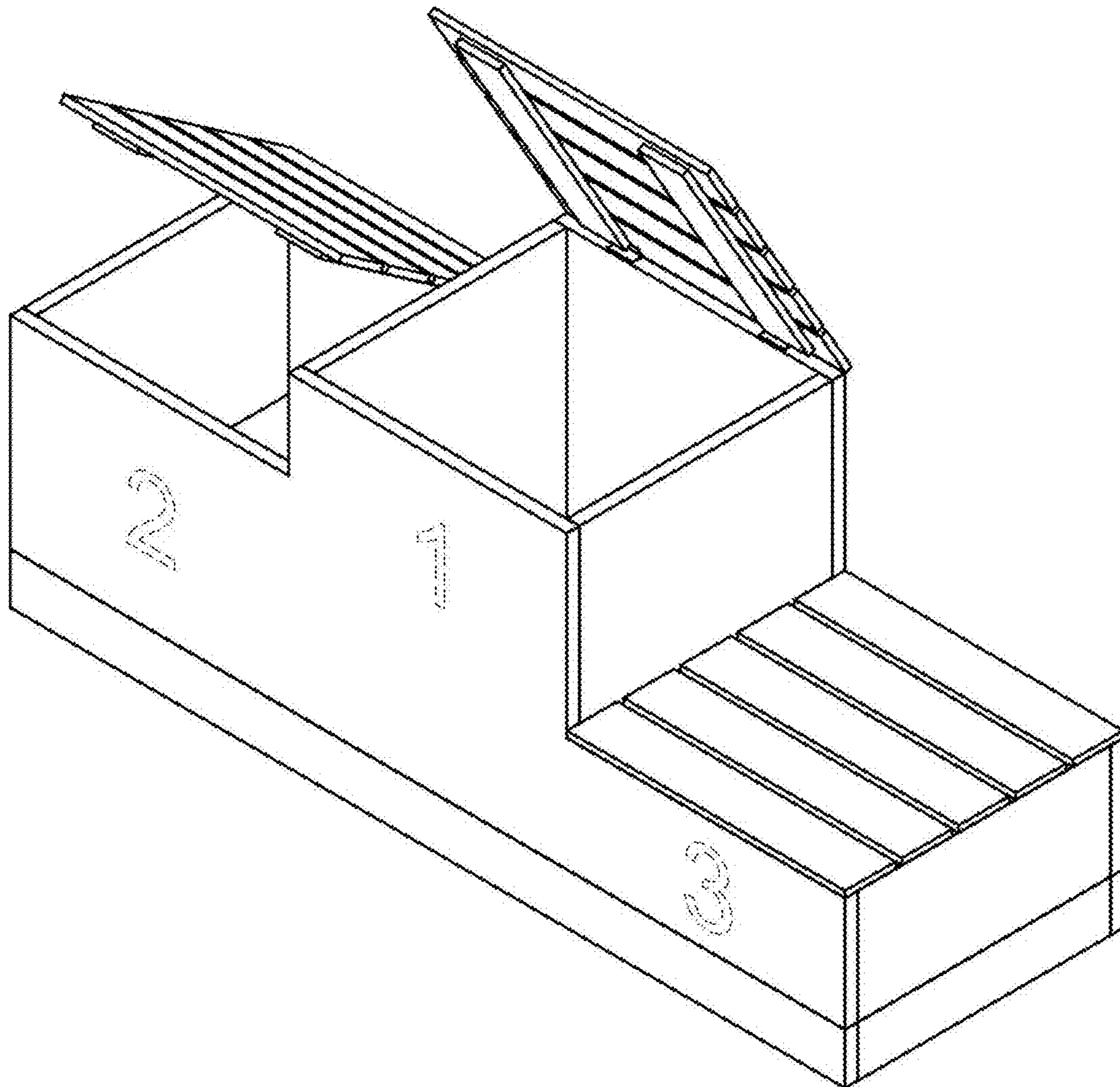


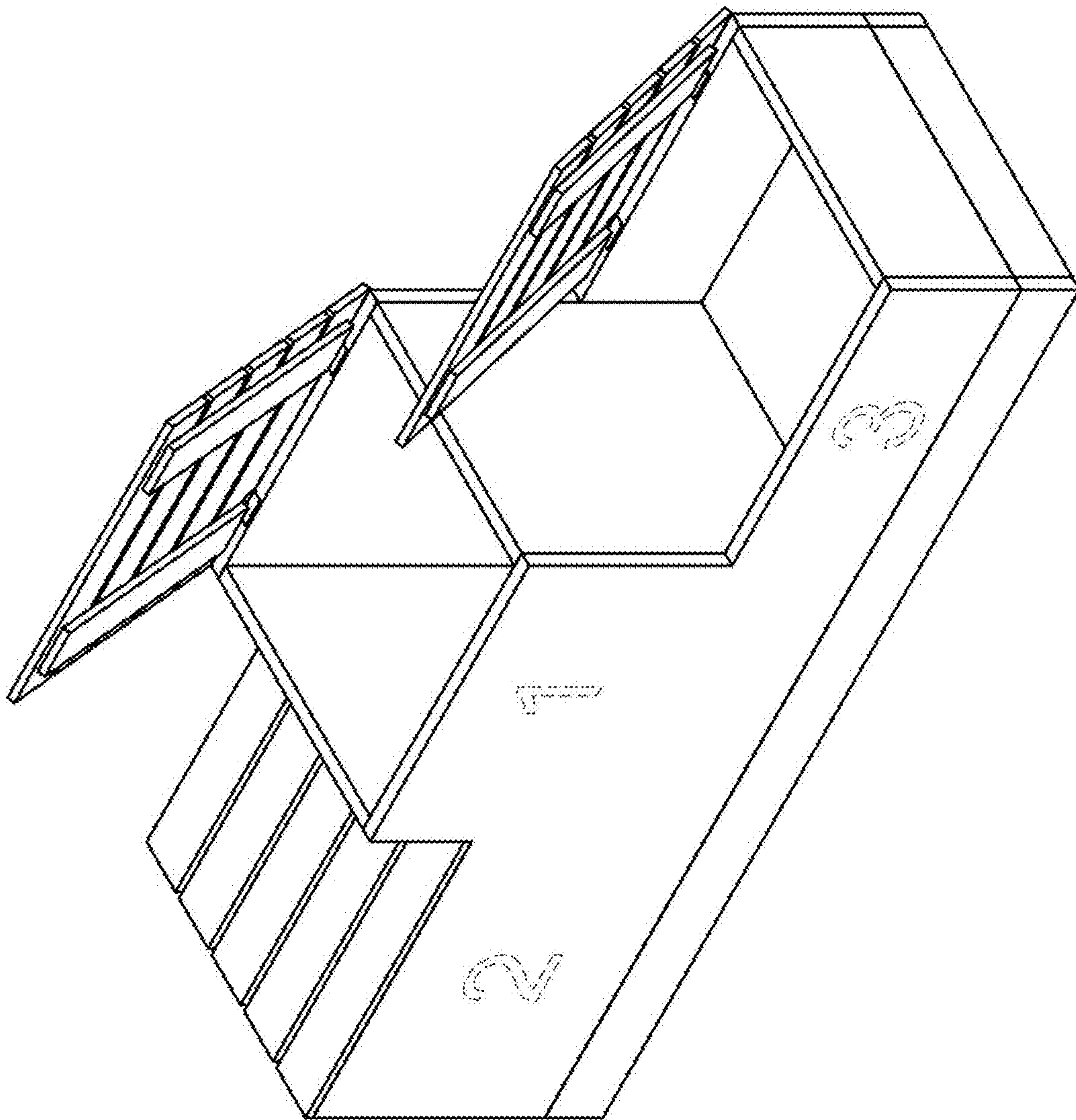
2.1



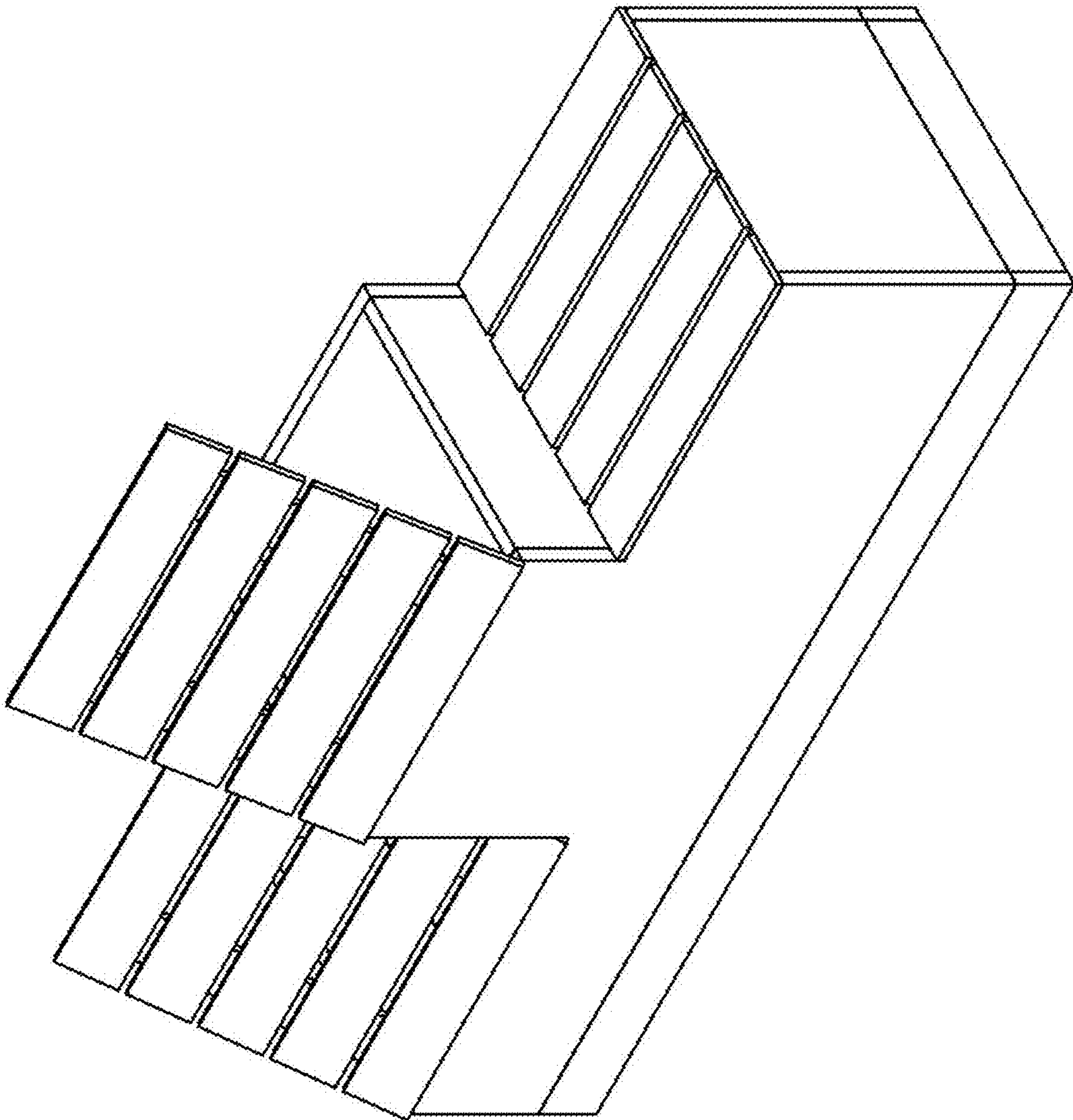
2.2

2.3





2.4



2.5

