



US00D808684S

(12) **United States Design Patent**
Santilli

(10) **Patent No.:** **US D808,684 S**

(45) **Date of Patent:** **** Jan. 30, 2018**

(54) **CASSETTE ASSEMBLY FOR A BLIND SYSTEM**

(71) Applicant: **Acmeda Pty Ltd**, Broadmeadows VIC (AU)

(72) Inventor: **Riccardo Santilli**, Reservoir (AU)

(73) Assignee: **Acmeda Pty Ltd**, Broadmeadows VIC (AU)

(**) Term: **15 Years**

(21) Appl. No.: **29/536,773**

(22) Filed: **Aug. 19, 2015**

(30) **Foreign Application Priority Data**

Feb. 19, 2015 (AU) 201510894

(51) **LOC (11) Cl.** **06-10**

(52) **U.S. Cl.**
USPC **D6/580**; D25/119

(58) **Field of Classification Search**
USPC D6/576, 577, 579, 580; D8/354, 363, D8/373, 376, 377, 380; D25/119, 121, D25/123, 125
CPC .. A47H 1/04; A47H 1/13; B60J 1/2038; B60J 1/2063; E06B 2009/587; E06B 9/262; E06B 9/266; E06B 9/323; E06B 9/40; E06B 9/42; E06B 9/58
See application file for complete search history.

(56) **References Cited**

U.S. PATENT DOCUMENTS

- 6,532,109 B1 * 3/2003 Shopp G03B 21/58 160/23.1
- 6,629,555 B2 * 10/2003 DeBlock E06B 9/54 160/275
- D737,671 S * 9/2015 Chou D8/376
- D759,400 S * 6/2016 Watkins D6/580

- D771,477 S * 11/2016 Anderson D25/121
- 2004/0221970 A1 * 11/2004 Nien E06B 9/323 160/173 R
- 2008/0169068 A1 * 7/2008 Liang E06B 9/38 160/178.1 R
- 2009/0266495 A1 * 10/2009 Karasawa E06B 9/262 160/84.03
- 2014/0305602 A1 * 10/2014 Kirby E06B 9/42 160/310
- 2014/0352897 A1 * 12/2014 Mullet E06B 9/42 160/323.1
- 2016/0319593 A1 * 11/2016 Dwarka E06B 9/26
- 2016/0340974 A1 * 11/2016 Huang E06B 9/264
- 2016/0348428 A1 * 12/2016 Cheng E06B 9/40

* cited by examiner

Primary Examiner — Celia A Murphy

Assistant Examiner — Clare Ann Gannon

(74) *Attorney, Agent, or Firm* — Head, Johnson, Kachigian & Wilkinson, PC

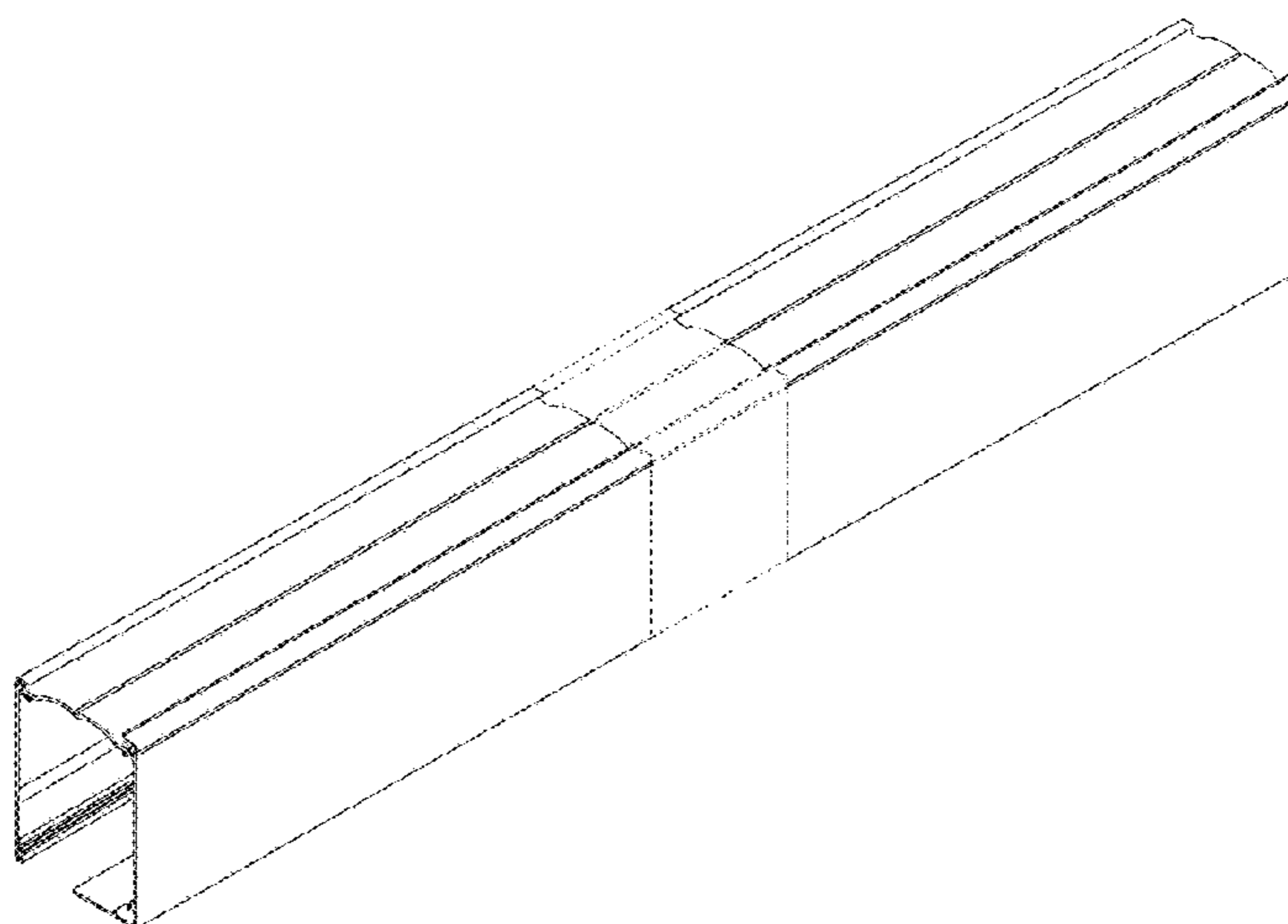
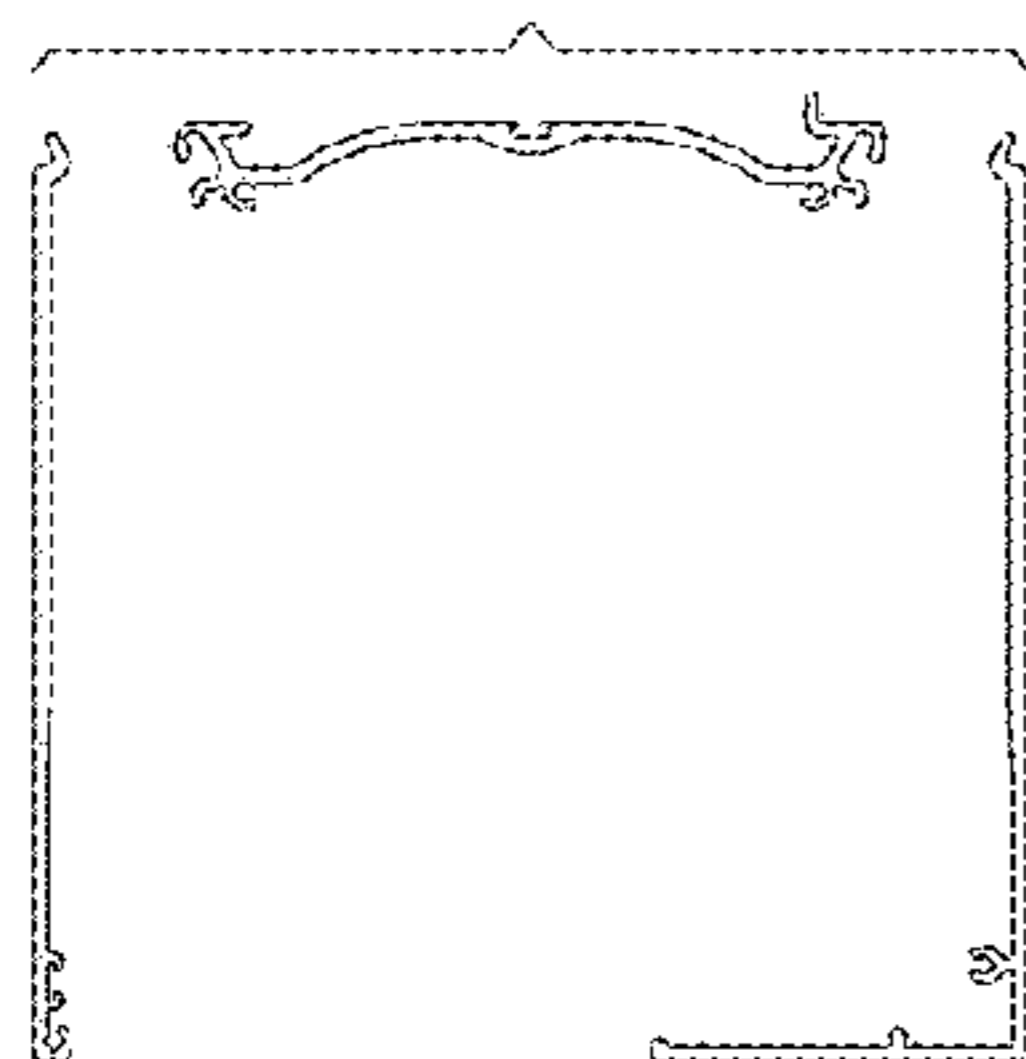
(57) **CLAIM**

The ornamental design for a cassette assembly for a blind system, as shown and described.

DESCRIPTION

FIG. 1 is an exploded left side view of the cassette assembly for a blind system of the present invention;
 FIG. 2 is a right side view thereof;
 FIG. 3 is a left side view thereof;
 FIG. 4 is a top view thereof;
 FIG. 5 is a bottom view thereof;
 FIG. 6 is a front view thereof;
 FIG. 7 is a back view thereof;
 FIG. 8 is a perspective view thereof; and,
 FIG. 9 is an exploded perspective view thereof.
 The cassette assembly for a blind system is shown in FIGS. 4 through 9 with a symbolic break in its length. The appearance of any portion of the article between the dot-dash lines forms no part of the claimed design.

1 Claim, 6 Drawing Sheets



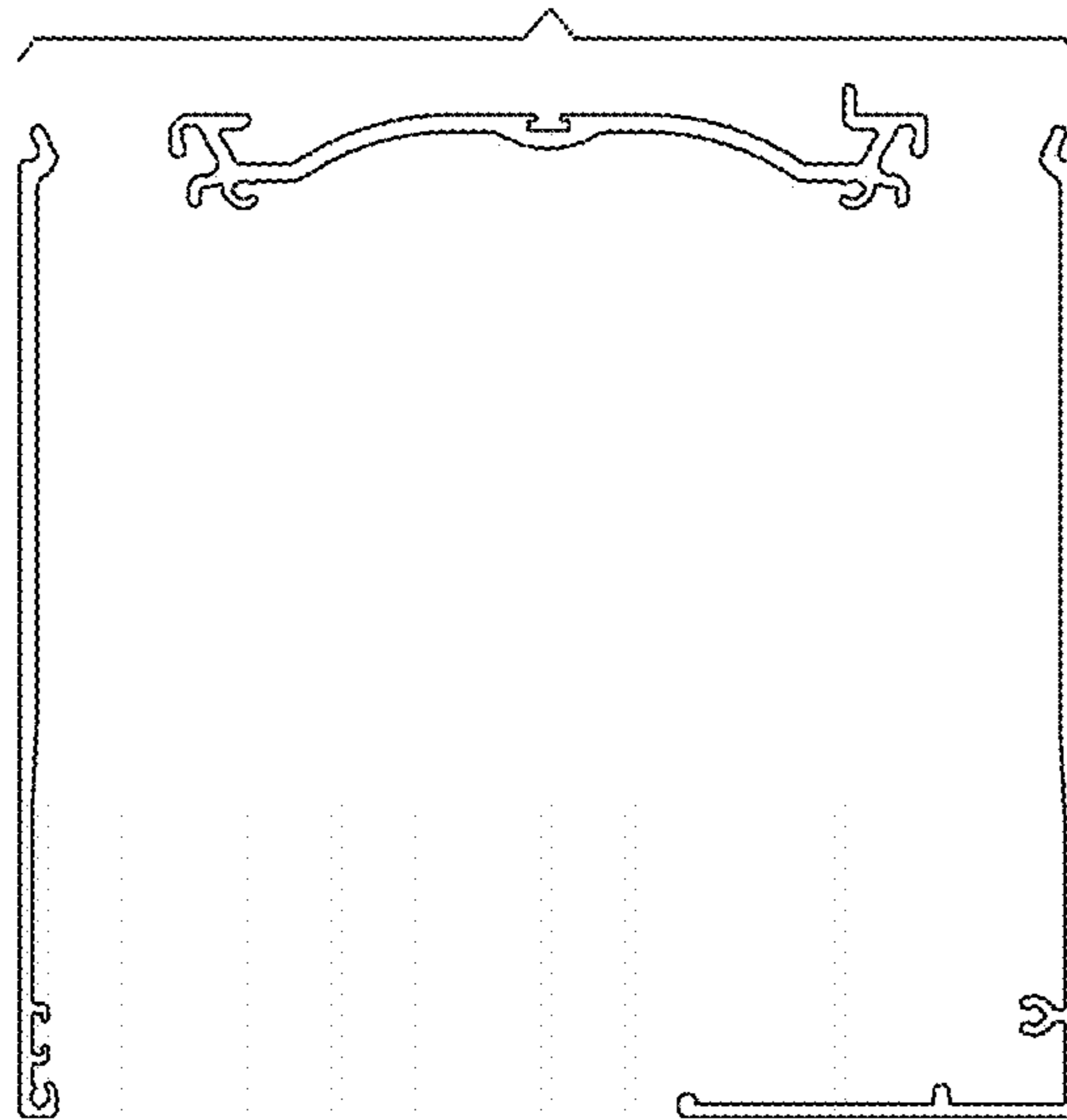


FIG. 1

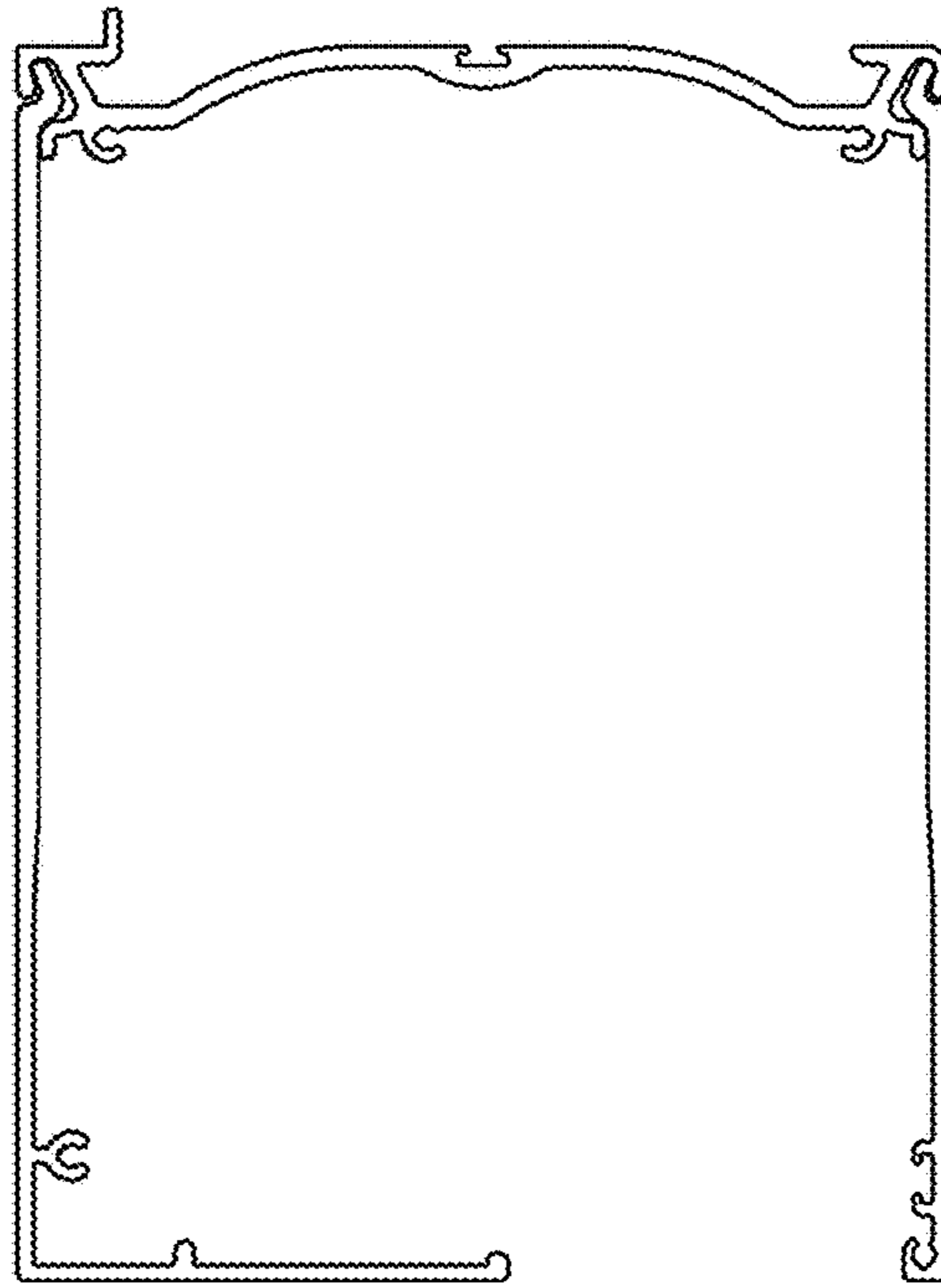


FIG. 2

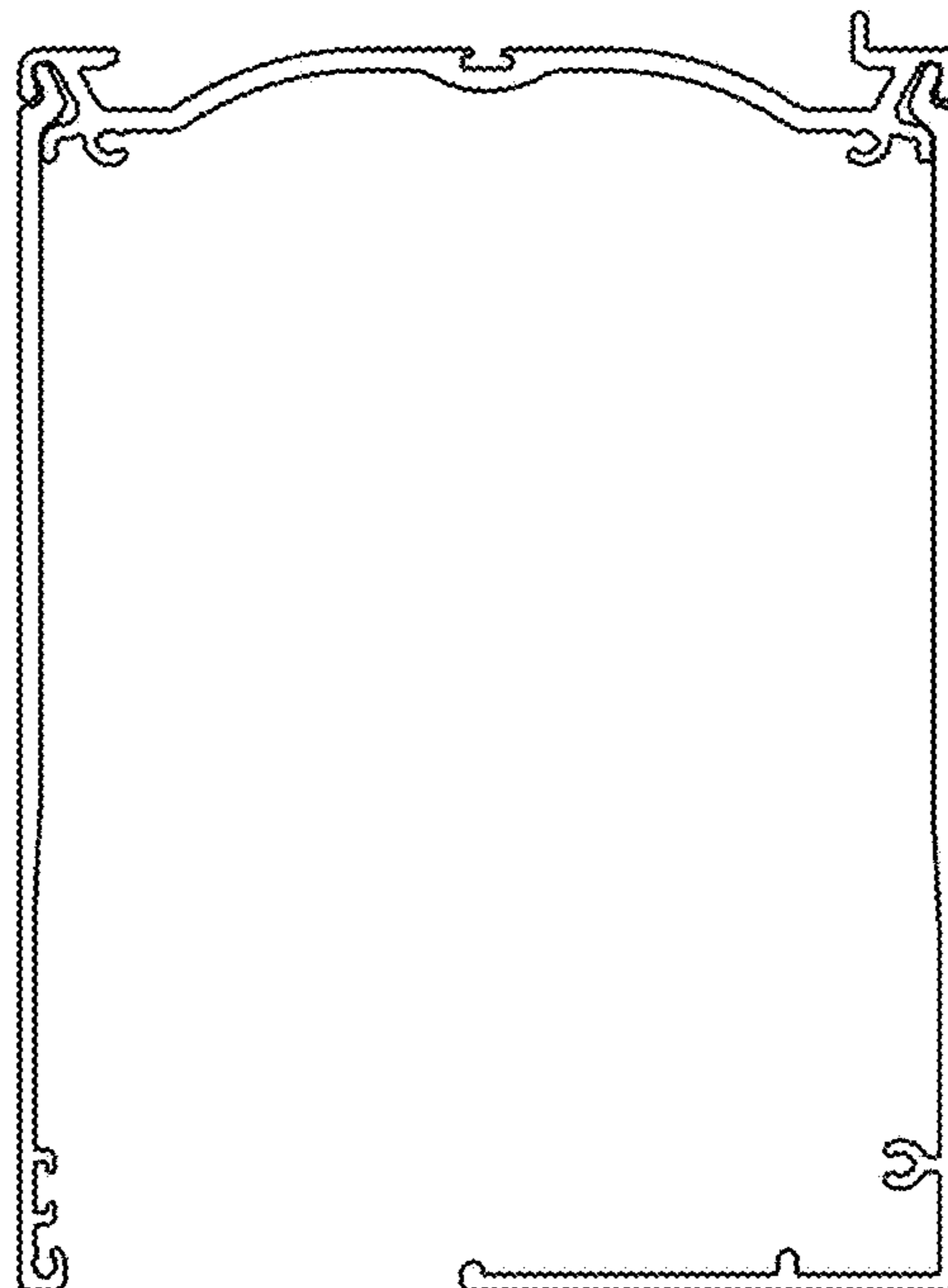


FIG. 3



FIG. 4

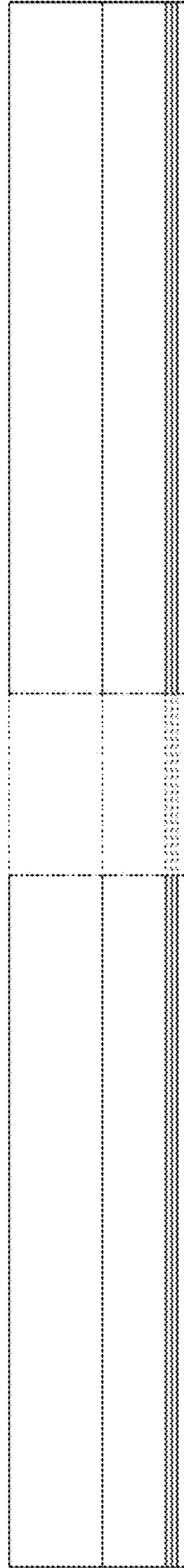


FIG. 5

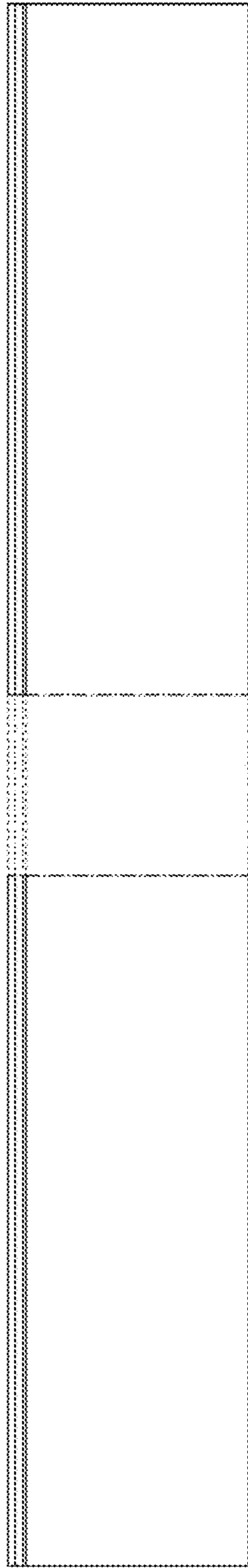


FIG. 6

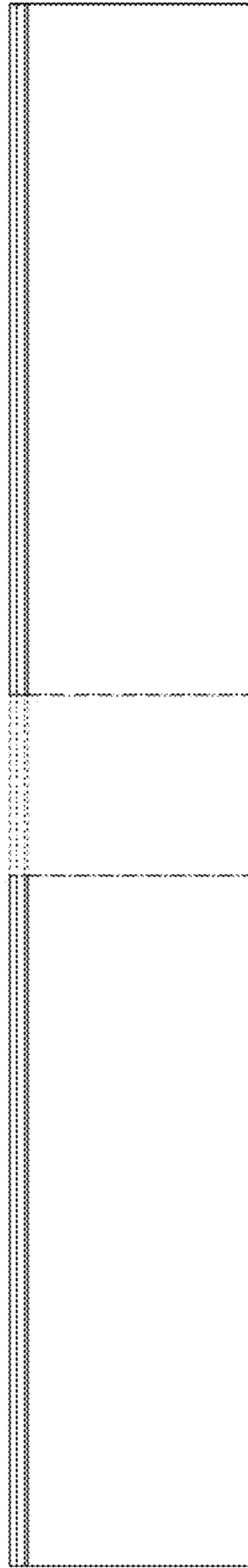


FIG. 7

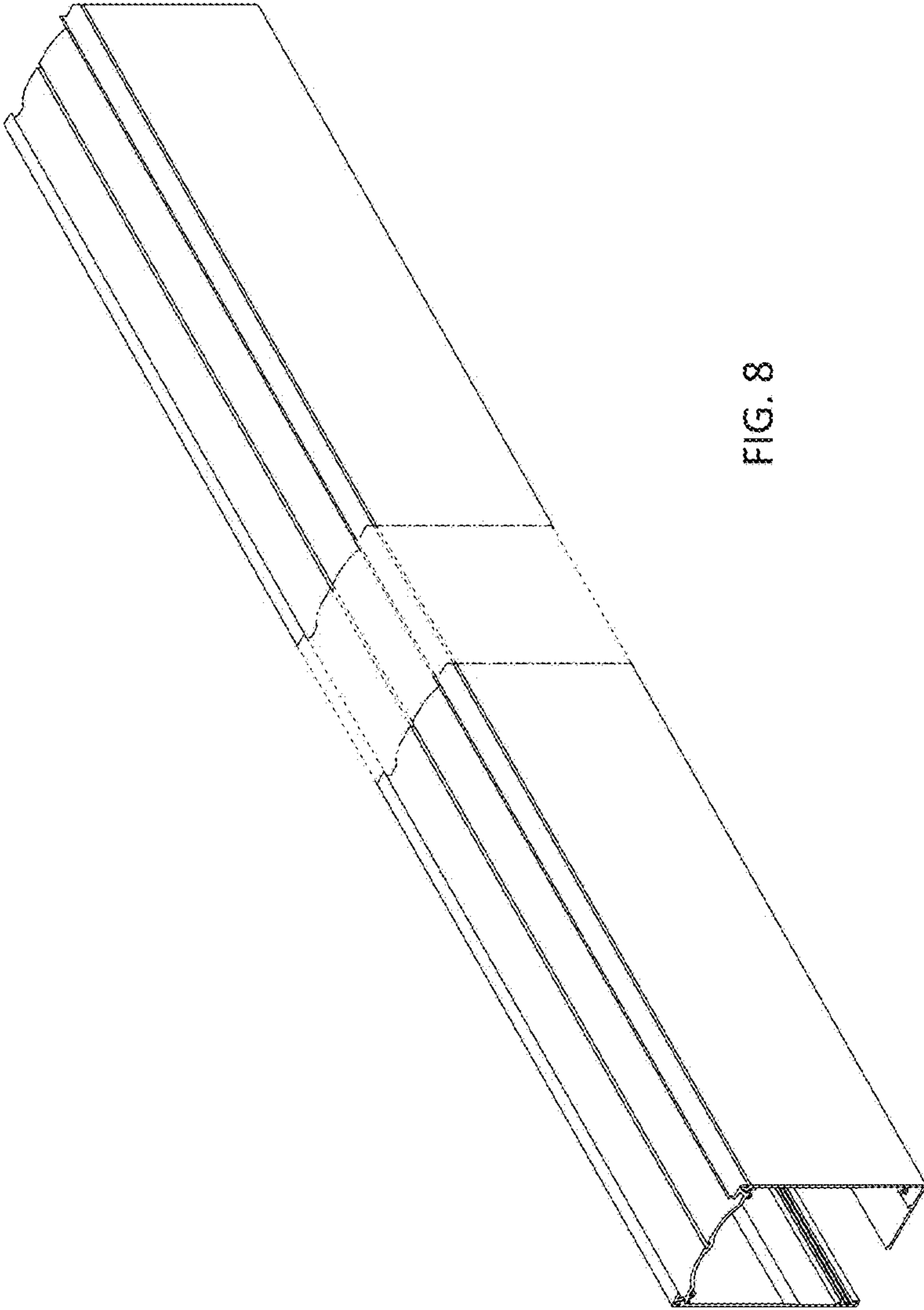


FIG. 8

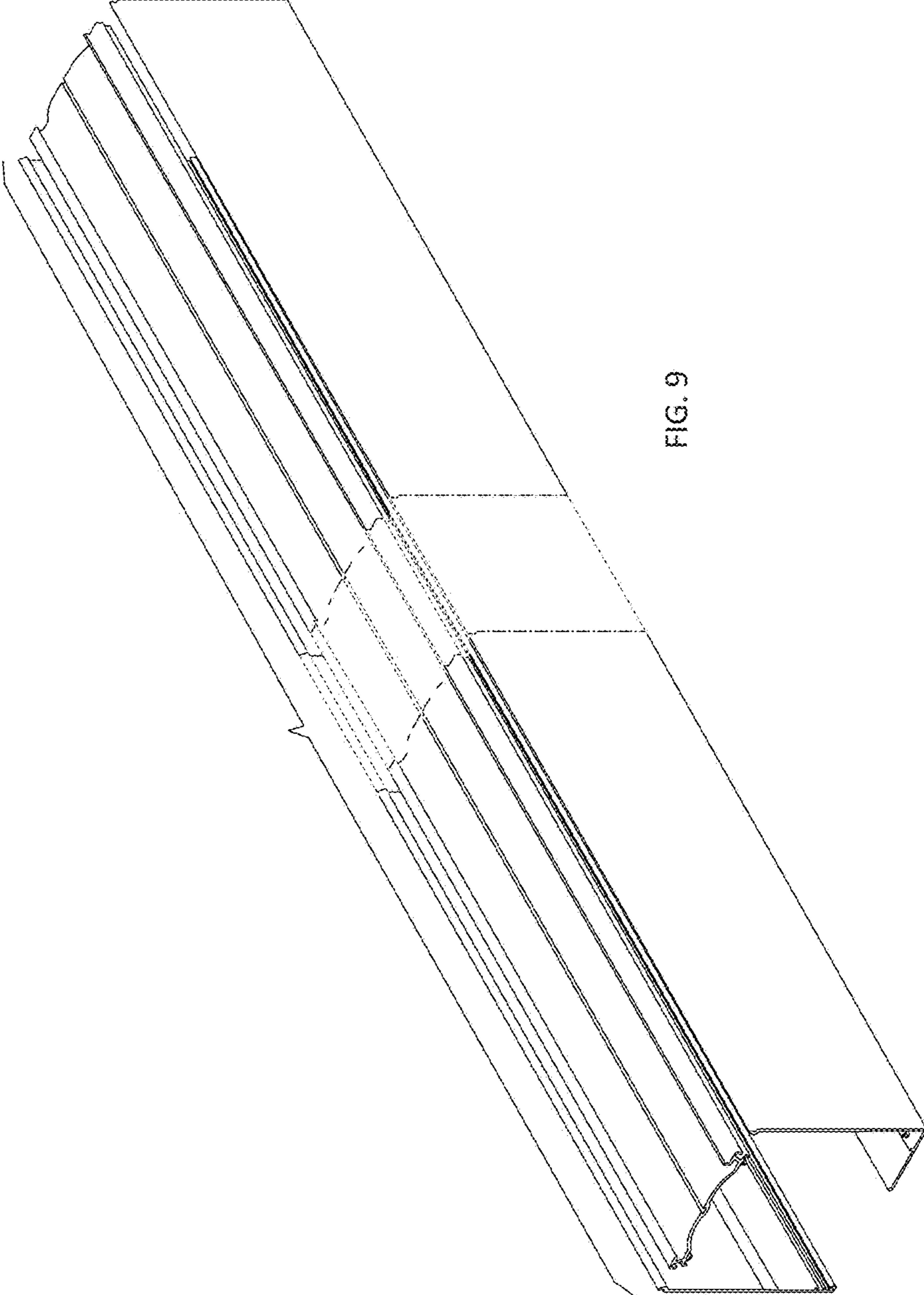


FIG. 9