



US00D808683S

(12) **United States Design Patent** (10) **Patent No.:** **US D808,683 S**
Anderson et al. (45) **Date of Patent:** **** Jan. 30, 2018**

(54) **RAIL FOR A WINDOW COVERING**
(71) Applicant: **Hunter Douglas Inc.**, Pearl River, NY (US)
(72) Inventors: **Richard Anderson**, Whitesville, KY (US); **Fred Bould**, Menlo Park, CA (US); **Winslow Harte**, San Carlos, CA (US)
(73) Assignee: **HUNTER DOUGLAS, INC.**, Pearl River, NY (US)

(**) Term: **15 Years**

(21) Appl. No.: **29/532,649**

(22) Filed: **Jul. 9, 2015**

(51) **LOC (11) Cl.** **06-10**

(52) **U.S. Cl.**
USPC **D6/580**

(58) **Field of Classification Search**
USPC D6/576, 577, 579, 580; D8/354, 363, D8/373, 376, 377, 380; D25/119, 121, D25/123, 125
CPC .. A47H 1/04; A47H 1/13; B60J 1/2038; B60J 1/2063; E06B 2009/587; E06B 9/262; E06B 9/266; E06B 9/323; E06B 9/40; E06B 9/42; E06B 9/58
See application file for complete search history.

(56) **References Cited**

U.S. PATENT DOCUMENTS

4,828,002 A * 5/1989 Ashby E06B 9/323 160/21
6,062,292 A * 5/2000 Bryant E06B 9/303 160/173 R
D541,094 S * 4/2007 Yu D6/580

D753,413 S * 4/2016 Anderson D6/580
9,316,050 B2 * 4/2016 Hsu E06B 9/32
D762,462 S * 8/2016 Anderson D25/121
D771,477 S * 11/2016 Anderson D25/121
2008/0202705 A1 * 8/2008 Cheng E06B 9/30 160/170
2008/0289774 A1 * 11/2008 Ying E06B 9/323 160/178.1 R
2009/0008046 A1 * 1/2009 Roetgering E06B 9/322 160/321
2009/0101293 A1 * 4/2009 Anderson E06B 9/323 160/368.1
2015/0218879 A1 * 8/2015 Anderson E06B 9/388 49/465
2016/0123074 A1 * 5/2016 Anderson E06B 9/38 160/368.1

* cited by examiner

Primary Examiner — Celia Murphy

Assistant Examiner — Clare Ann Gannon

(74) *Attorney, Agent, or Firm* — Dority & Manning, P.A.

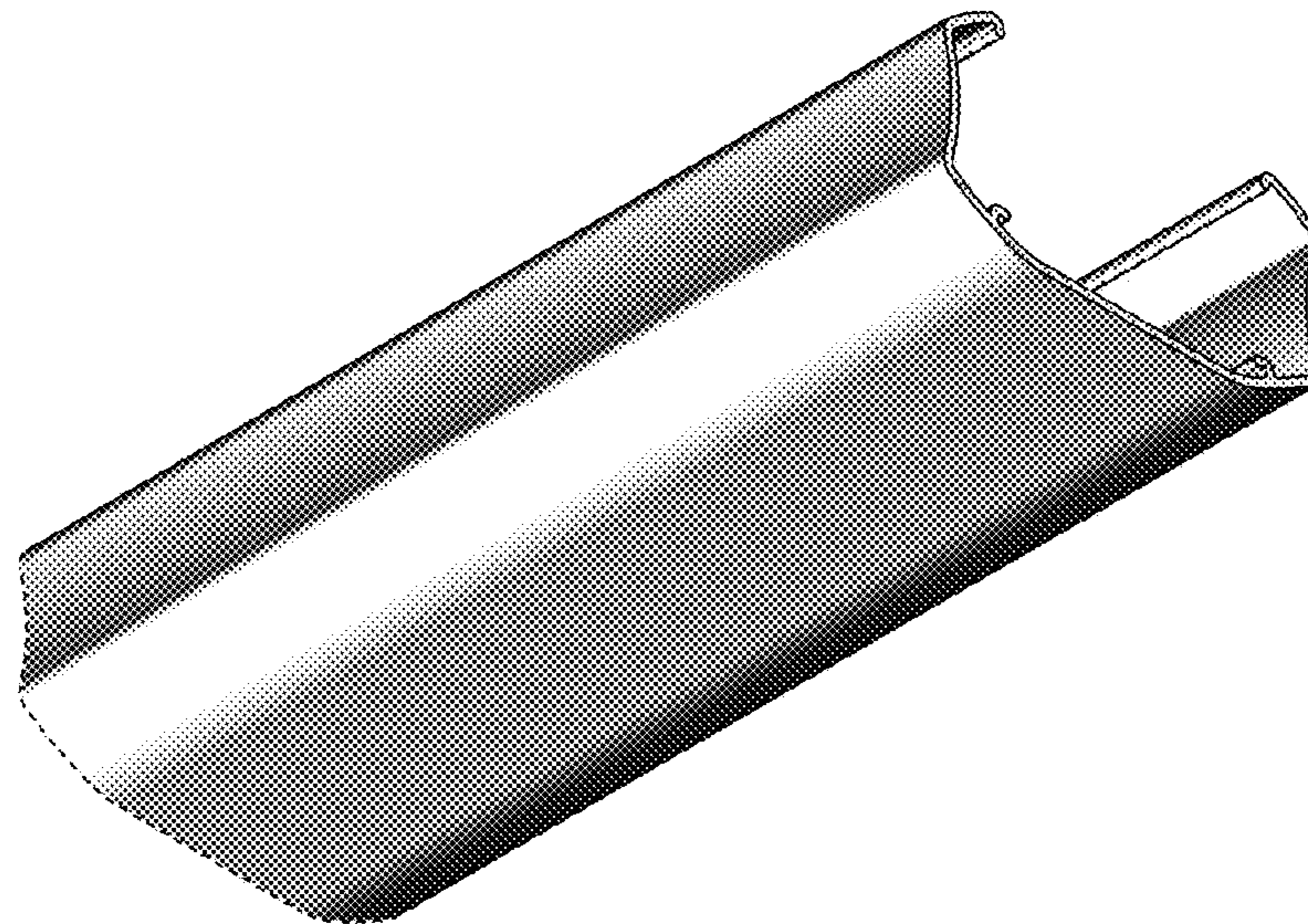
(57) **CLAIM**

The ornamental design for a rail for a window covering, as shown and described.

DESCRIPTION

FIG. 1 is a bottom perspective view of a rail for a window covering showing our design;
FIG. 2 is a top perspective view thereof;
FIG. 3 is a left side elevational view thereof;
FIG. 4 is a top view thereof;
FIG. 5 is a front elevational view thereof, the rear elevational view being a mirror image thereof; and,
FIG. 6 is a bottom plan view thereof.
The broken lines in FIGS. 1, 2, 4, 5 and 6 depict the boundary of the claim and form no part of the claimed design.

1 Claim, 2 Drawing Sheets



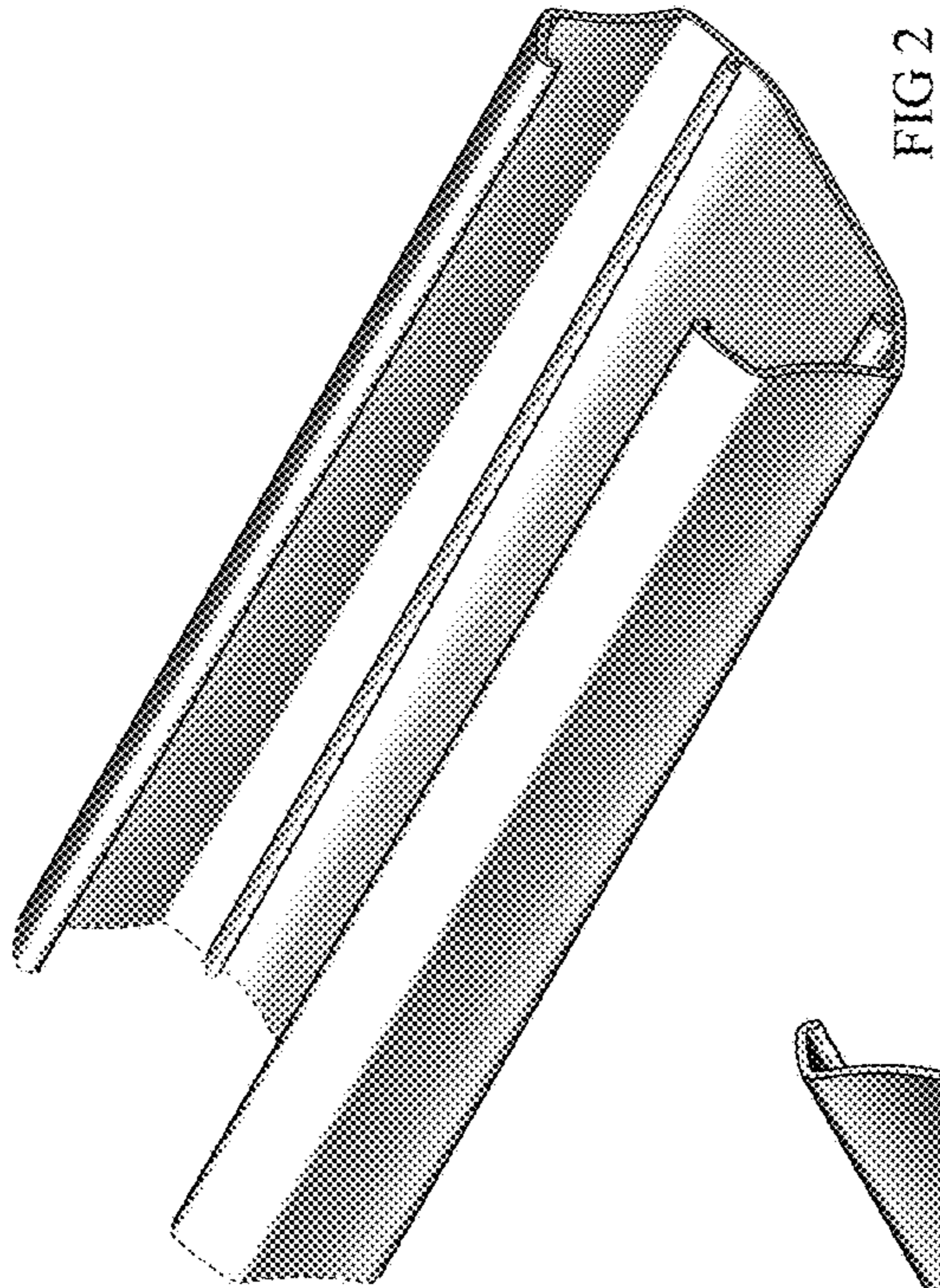


FIG 2

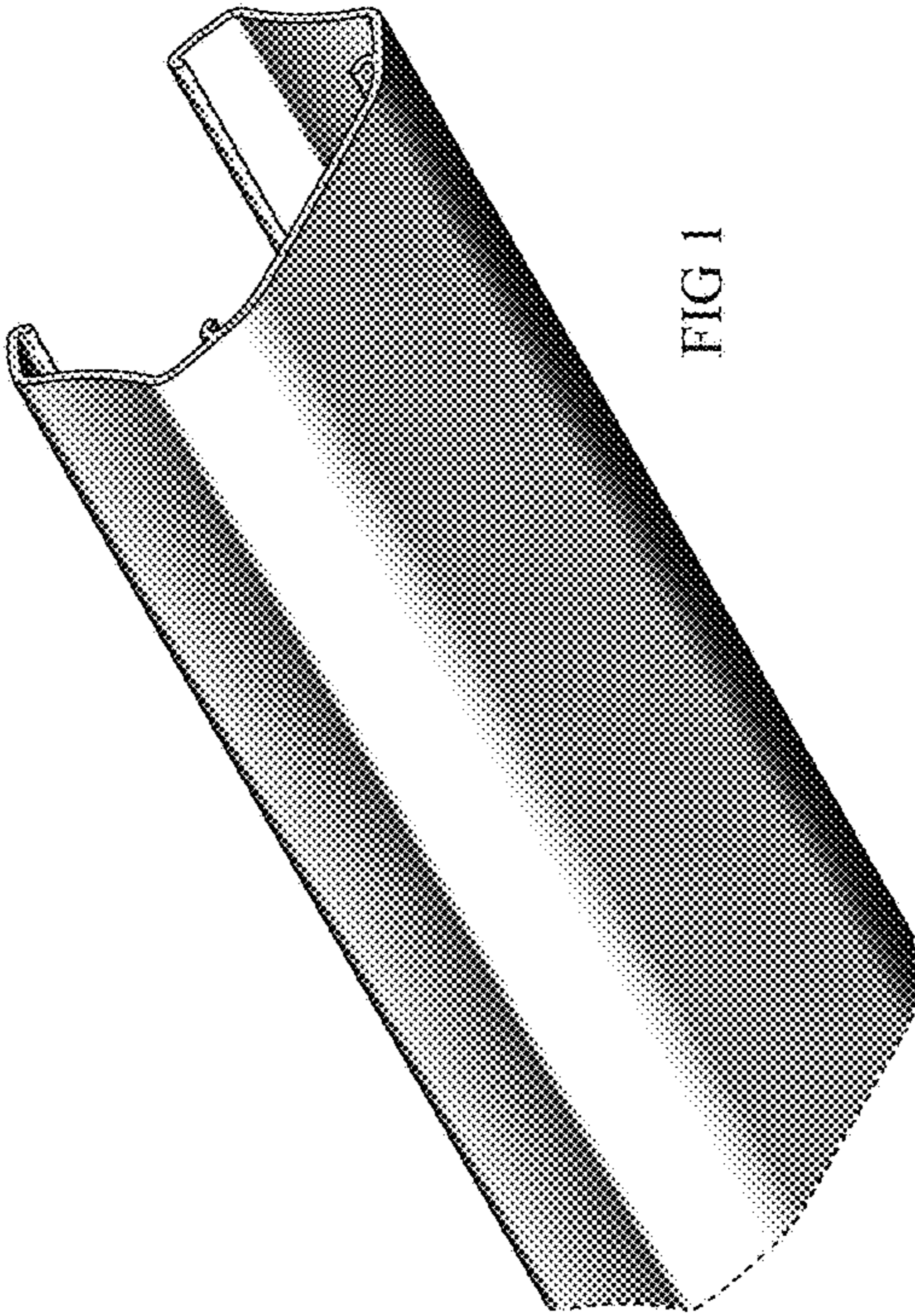


FIG 1

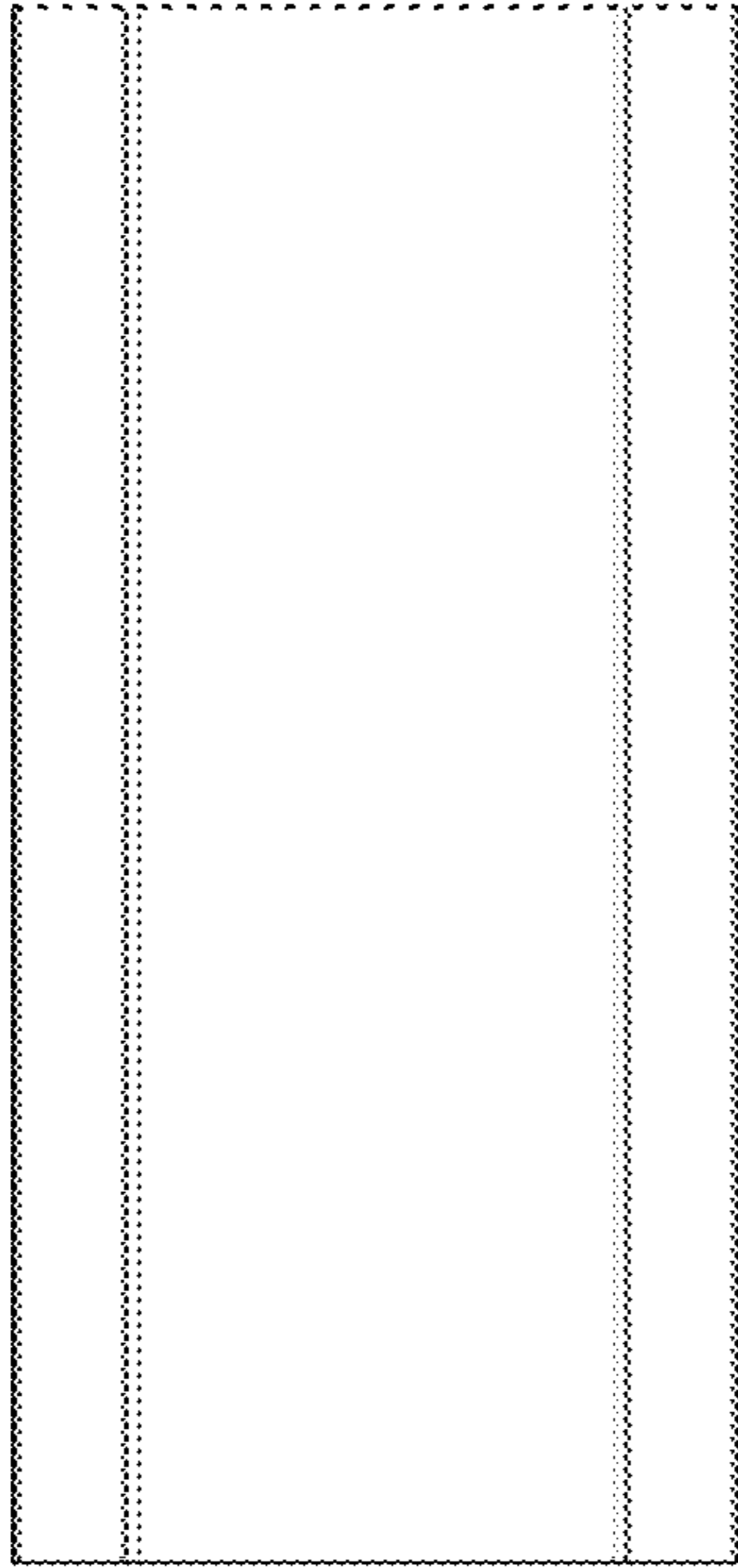


FIG 4

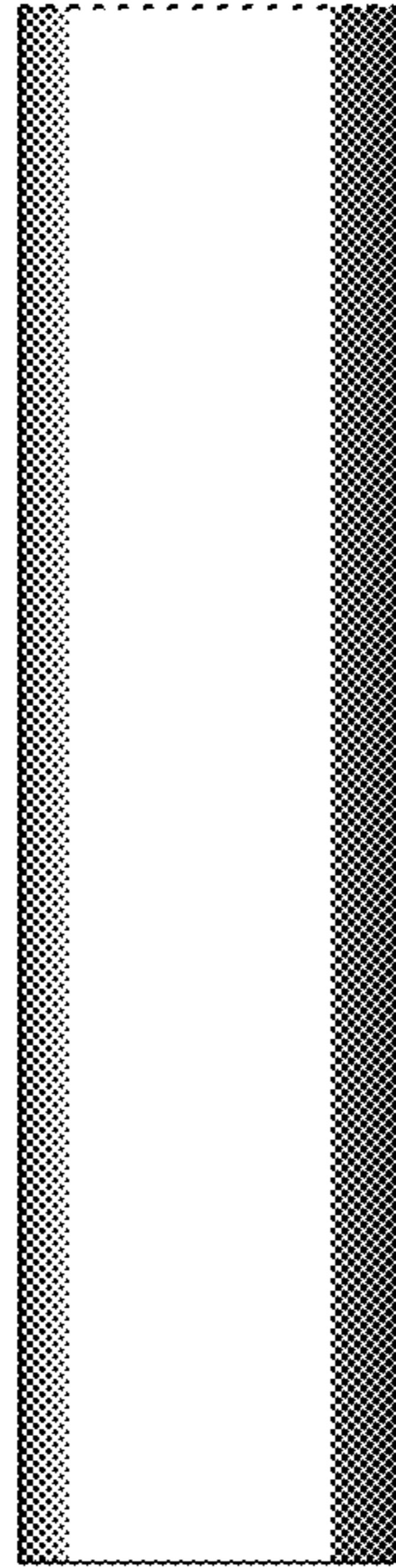


FIG 5

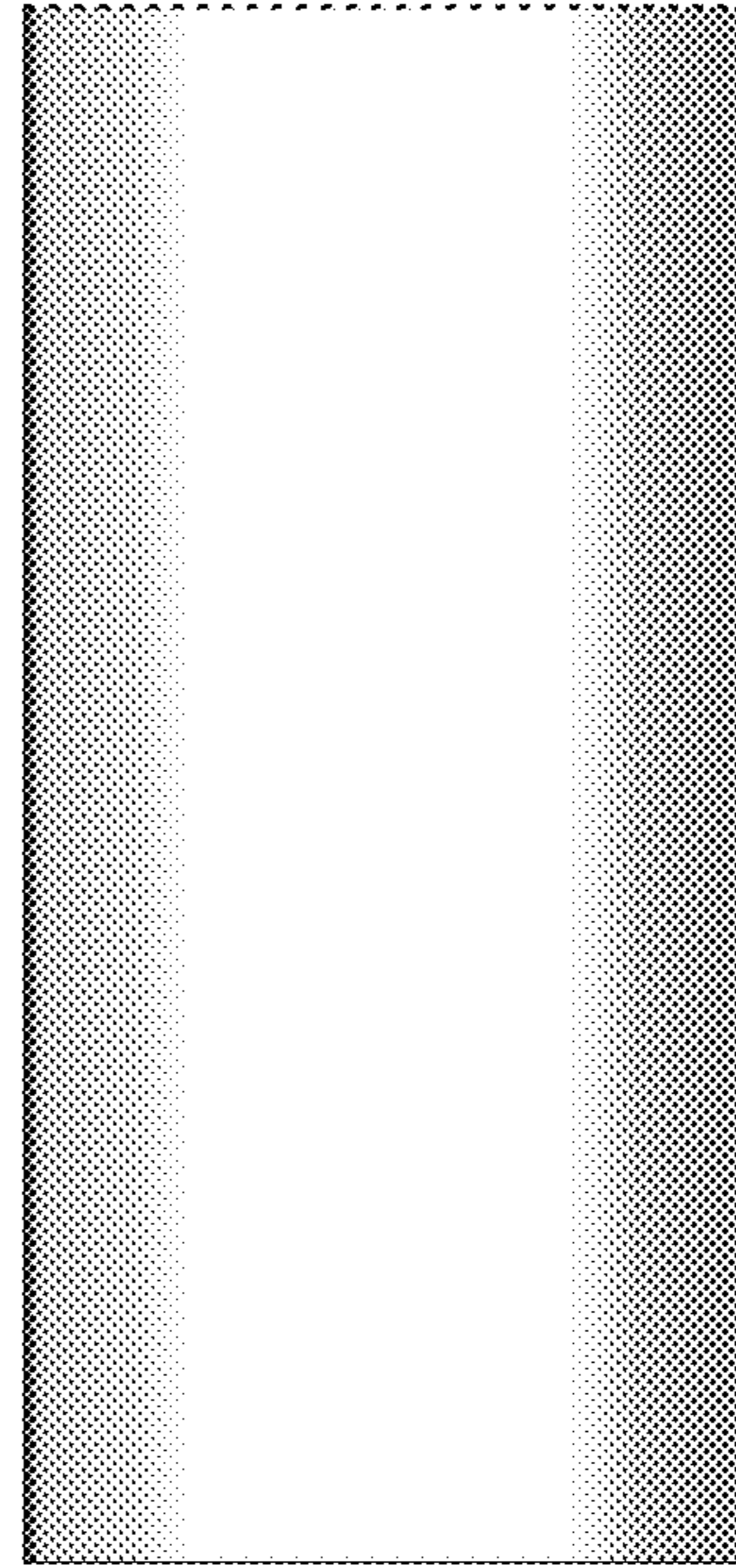


FIG 6

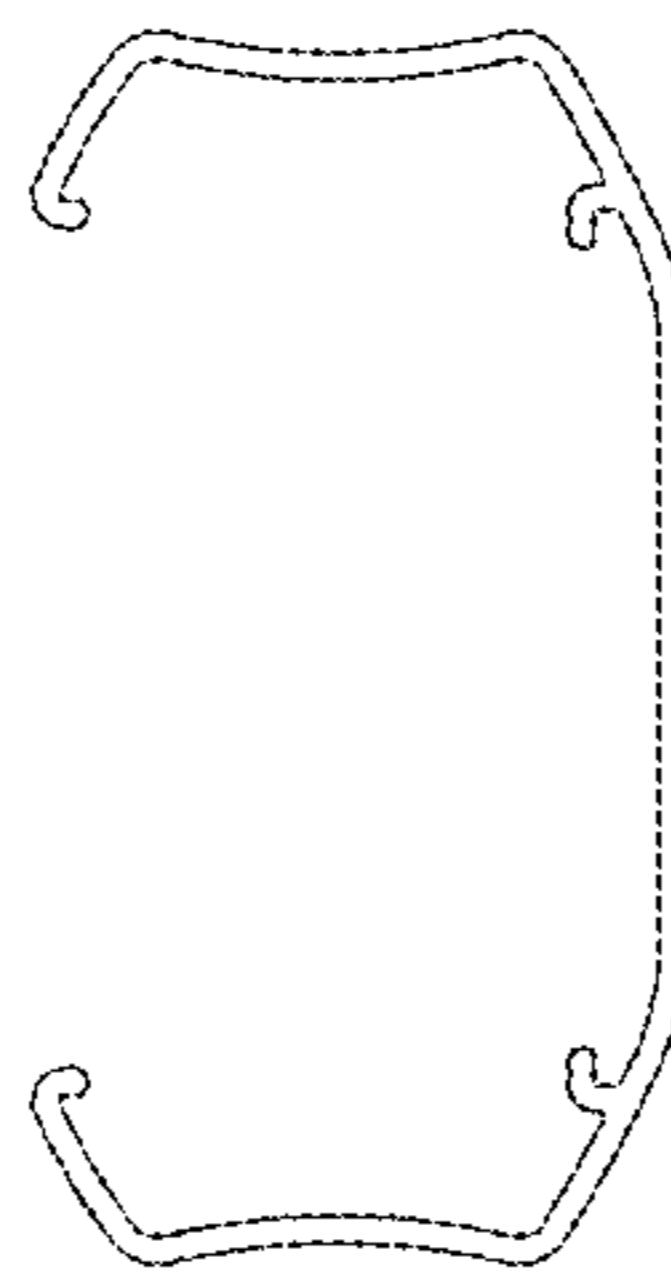


FIG 3