



US00D808682S

(12) **United States Design Patent** (10) **Patent No.:** **US D808,682 S**
Anderson et al. (45) **Date of Patent:** **** Jan. 30, 2018**

(54) **RAIL FOR A WINDOW COVERING**
(71) Applicant: **Hunter Douglas Inc.**, Pearl River, NY (US)
(72) Inventors: **Richard Anderson**, Whitesville, KY (US); **Fred Bould**, Menlo Park, CA (US); **Winslow Harte**, San Carlos, CA (US)
(73) Assignee: **HUNTER DOUGLAS, INC.**, Pearl River, NY (US)
(**) Term: **15 Years**
(21) Appl. No.: **29/532,647**
(22) Filed: **Jul. 9, 2015**
(51) **LOC (11) Cl.** **06-10**
(52) **U.S. Cl.**
USPC **D6/580**
(58) **Field of Classification Search**
USPC D6/576, 577, 579, 580; D8/354, 363, D8/373, 376, 377, 380; D25/119, 121, D25/123, 125
CPC .. A47H 1/04; A47H 1/13; B60J 1/2038; B60J 1/2063; E06B 2009/587; E06B 9/262; E06B 9/266; E06B 9/323; E06B 9/40; E06B 9/42; E06B 9/58
See application file for complete search history.

(56) **References Cited**
U.S. PATENT DOCUMENTS
6,062,292 A * 5/2000 Bryant E06B 9/303 160/173 R
D551,775 S * 9/2007 McGinness D25/135
D687,248 S * 8/2013 Huston D6/580
D753,412 S * 4/2016 Anderson D6/580
9,316,050 B2 * 4/2016 Hsu E06B 9/32
D762,462 S * 8/2016 Anderson D25/121

D771,477 S * 11/2016 Anderson D25/121
2008/0289774 A1 * 11/2008 Ying E06B 9/323 160/178.1 R
2009/0008046 A1 * 1/2009 Roetgering E06B 9/322 160/321
2009/0101293 A1 * 4/2009 Anderson E06B 9/323 160/368.1
2011/0265962 A1 * 11/2011 Drew E06B 9/262 160/340
2015/0041073 A1 * 2/2015 Hsu E06B 9/262 160/192
2015/0184451 A1 * 7/2015 Hsu B27B 11/02 160/84.04
2015/0211294 A1 * 7/2015 Shih E06B 9/262 160/168.1 R
2015/0218879 A1 * 8/2015 Anderson E06B 9/388 49/465

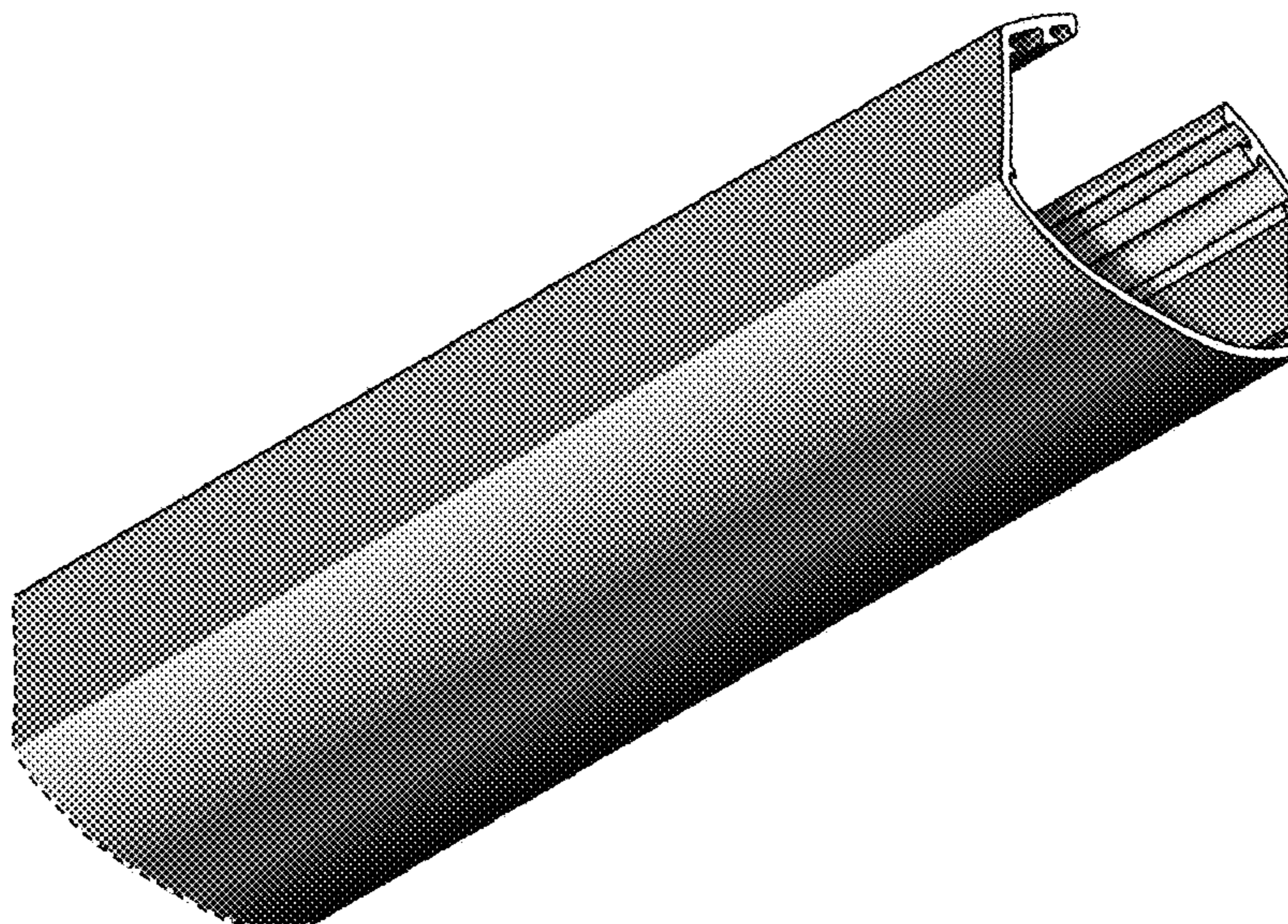
* cited by examiner

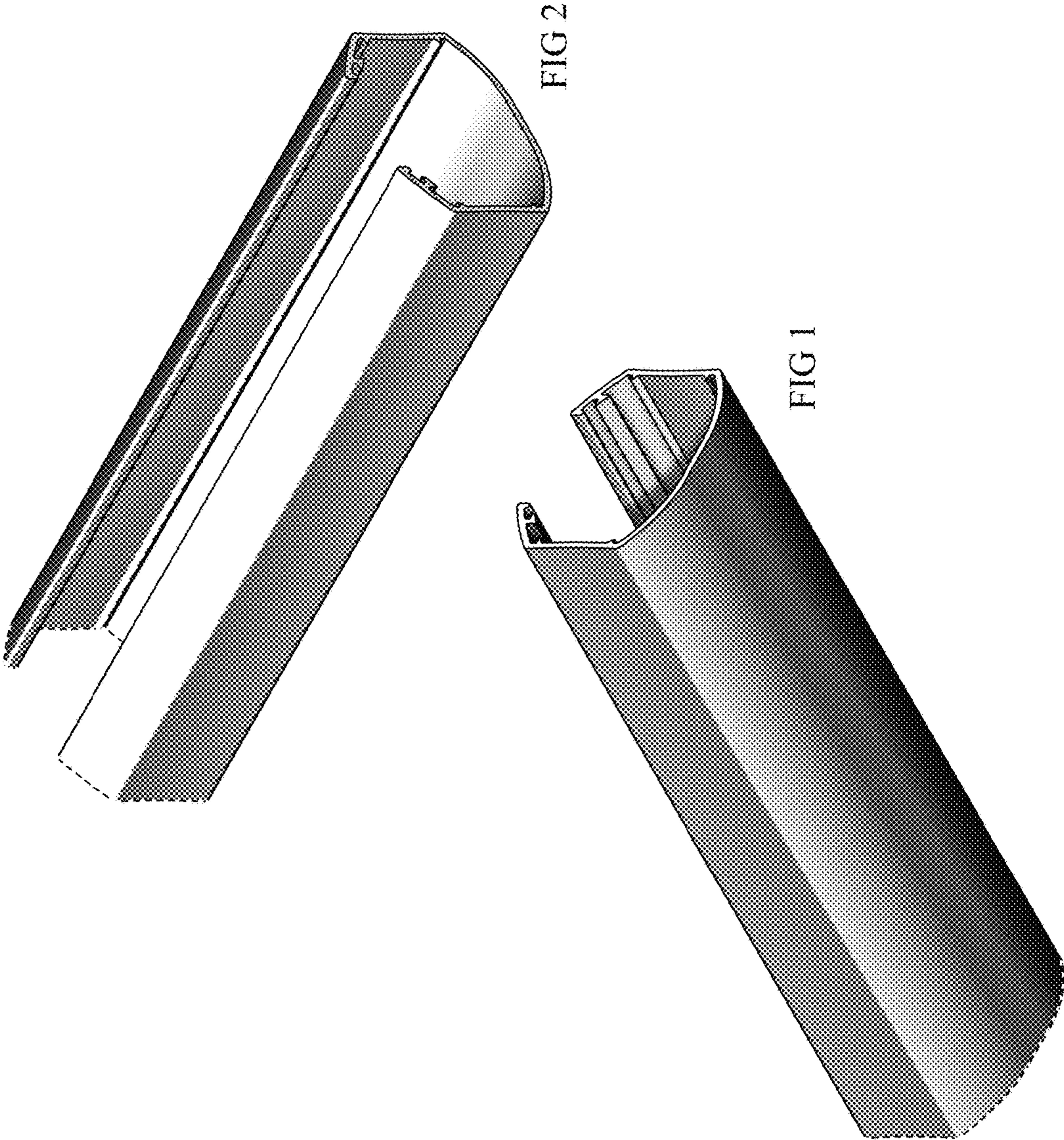
Primary Examiner — Celia Murhpy
Assistant Examiner — Clare Ann Gannon
(74) *Attorney, Agent, or Firm* — Dority & Manning, P.A.

(57) **CLAIM**
The ornamental design for a rail for a window covering, as shown and described.

DESCRIPTION
FIG. 1 is a bottom perspective view of a rail for a window covering showing our design;
FIG. 2 is a top perspective view thereof;
FIG. 3 is a left side elevational view thereof;
FIG. 4 is a top view thereof;
FIG. 5 is a front elevational view thereof, the rear elevational view being a mirror image thereof; and,
FIG. 6 is a bottom plan view thereof.
The broken lines in FIGS. 1, 2, 4, 5 and 6 depict the boundary of the claim and form no part of the claimed design.

1 Claim, 2 Drawing Sheets





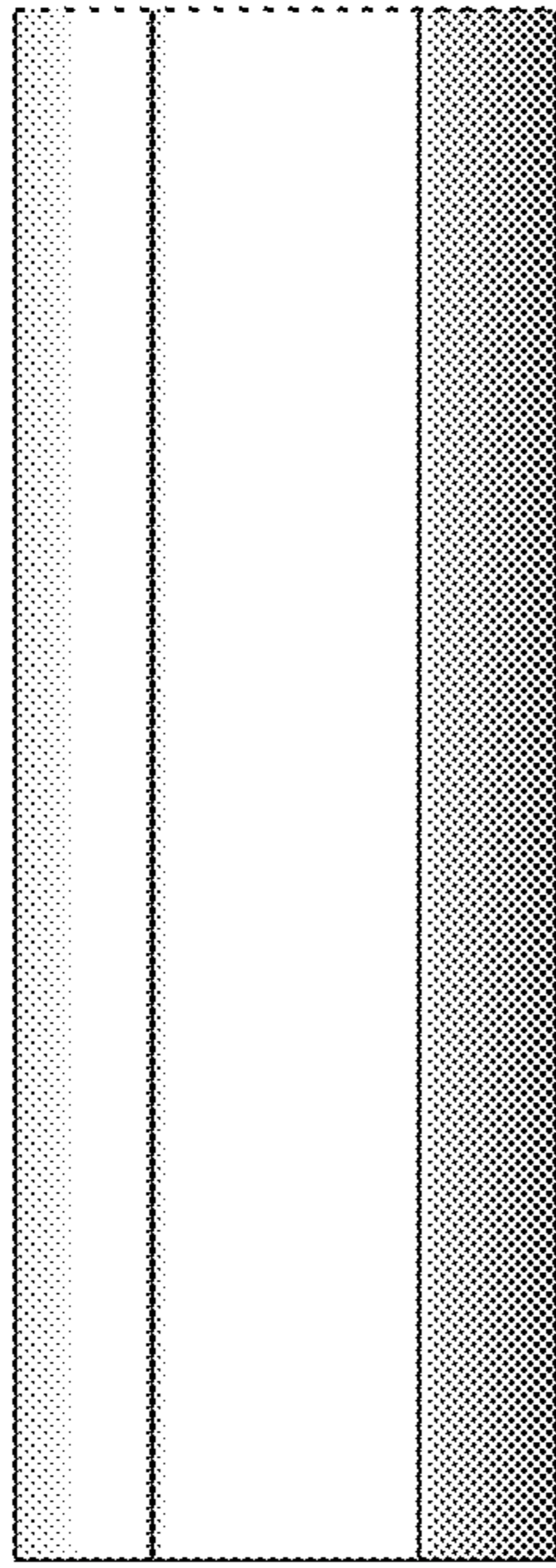


FIG 4

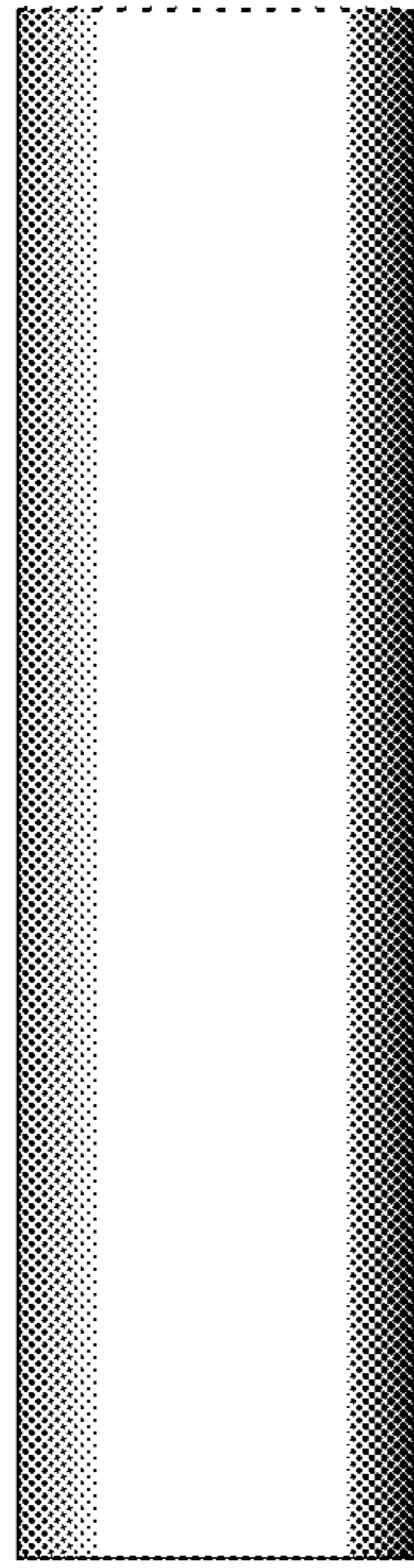


FIG 5

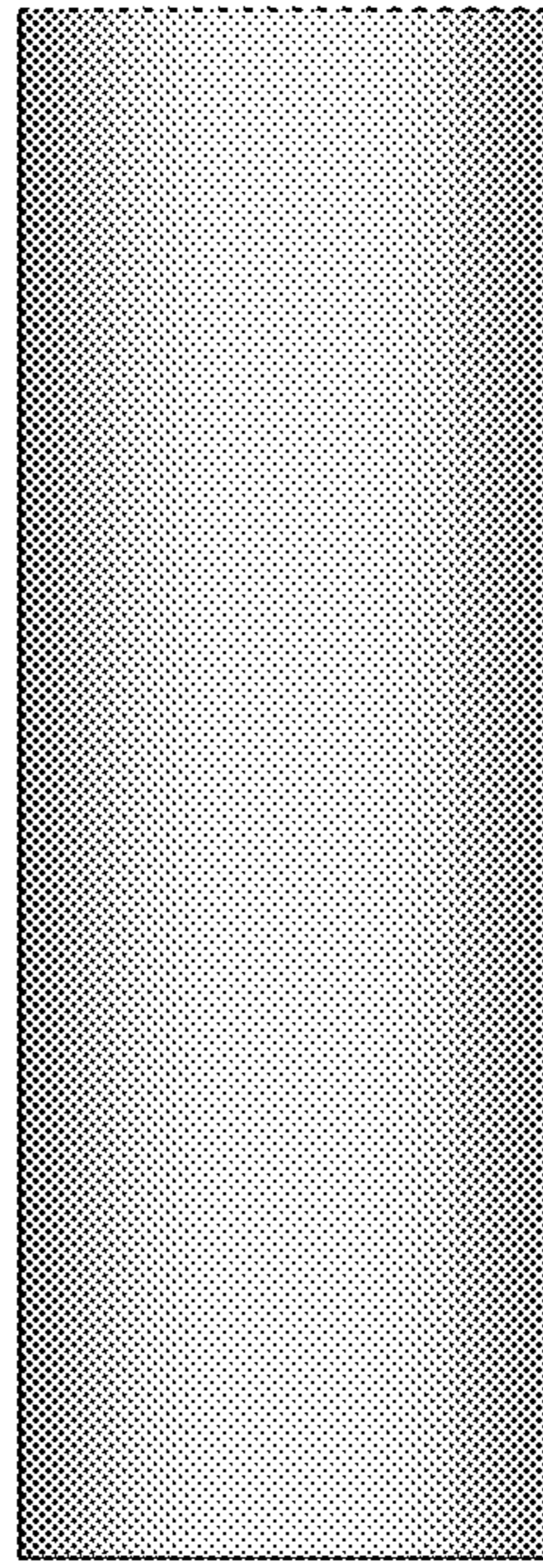


FIG 6

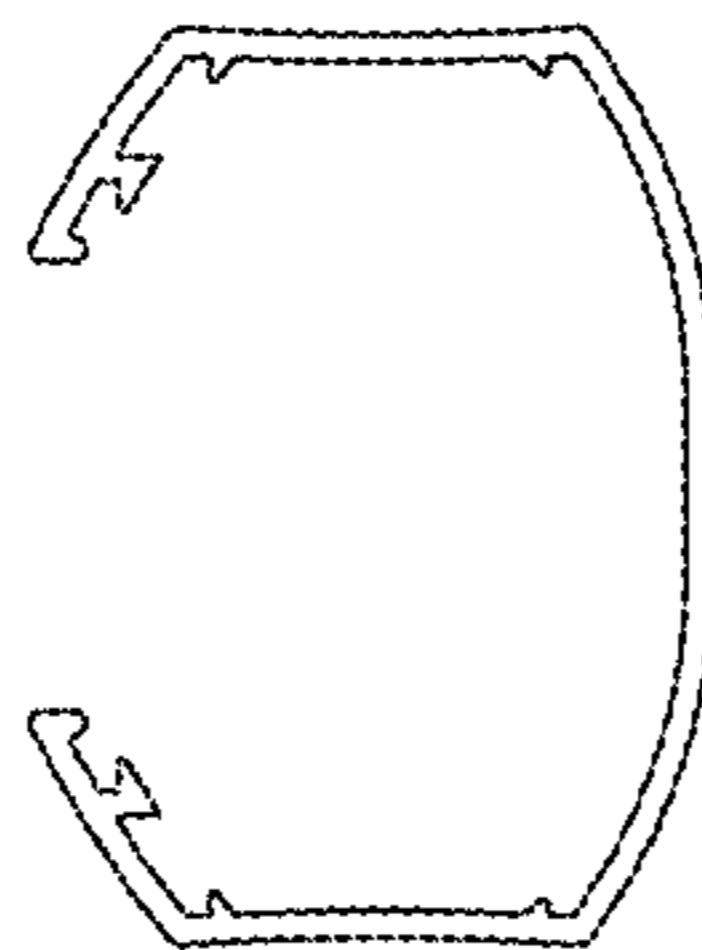


FIG 3