



US00D808681S

(12) **United States Design Patent**
Nowacek

(10) **Patent No.:** **US D808,681 S**
(45) **Date of Patent:** **** Jan. 30, 2018**

(54) **TILE HANGER BATTEN**

(74) *Attorney, Agent, or Firm* — Eric A. Hinojosa

(71) Applicant: **David Nowacek**, San Antonio, TX (US)

(72) Inventor: **David Nowacek**, San Antonio, TX (US)

(**) Term: **15 Years**

(21) Appl. No.: **29/556,144**

(22) Filed: **Feb. 27, 2016**

(51) **LOC (11) Cl.** **06-07**

(52) **U.S. Cl.**
USPC **D6/553**

(58) **Field of Classification Search**
USPC D6/533, 300, 301, 302, 309, 319, 320,
D6/325, 328, 512; D8/350, 353, 400,
D8/402, 404; D11/132; D9/456;
D23/249
CPC E04D 12/004; E04D 12/006; E06B 1/04;
E04F 13/007; B65D 9/36
See application file for complete search history.

(56) **References Cited**

U.S. PATENT DOCUMENTS

D284,687 S *	7/1986	Doman	D23/249
D286,739 S *	11/1986	Larsson	D13/156
D329,982 S *	10/1992	Young	D6/328
D522,094 S *	5/2006	Koury	D23/249
D553,487 S *	10/2007	Quan	D8/402
D742,124 S *	11/2015	Vanderheyden	D6/300

* cited by examiner

Primary Examiner — Wan Laymon
Assistant Examiner — Mark Booker

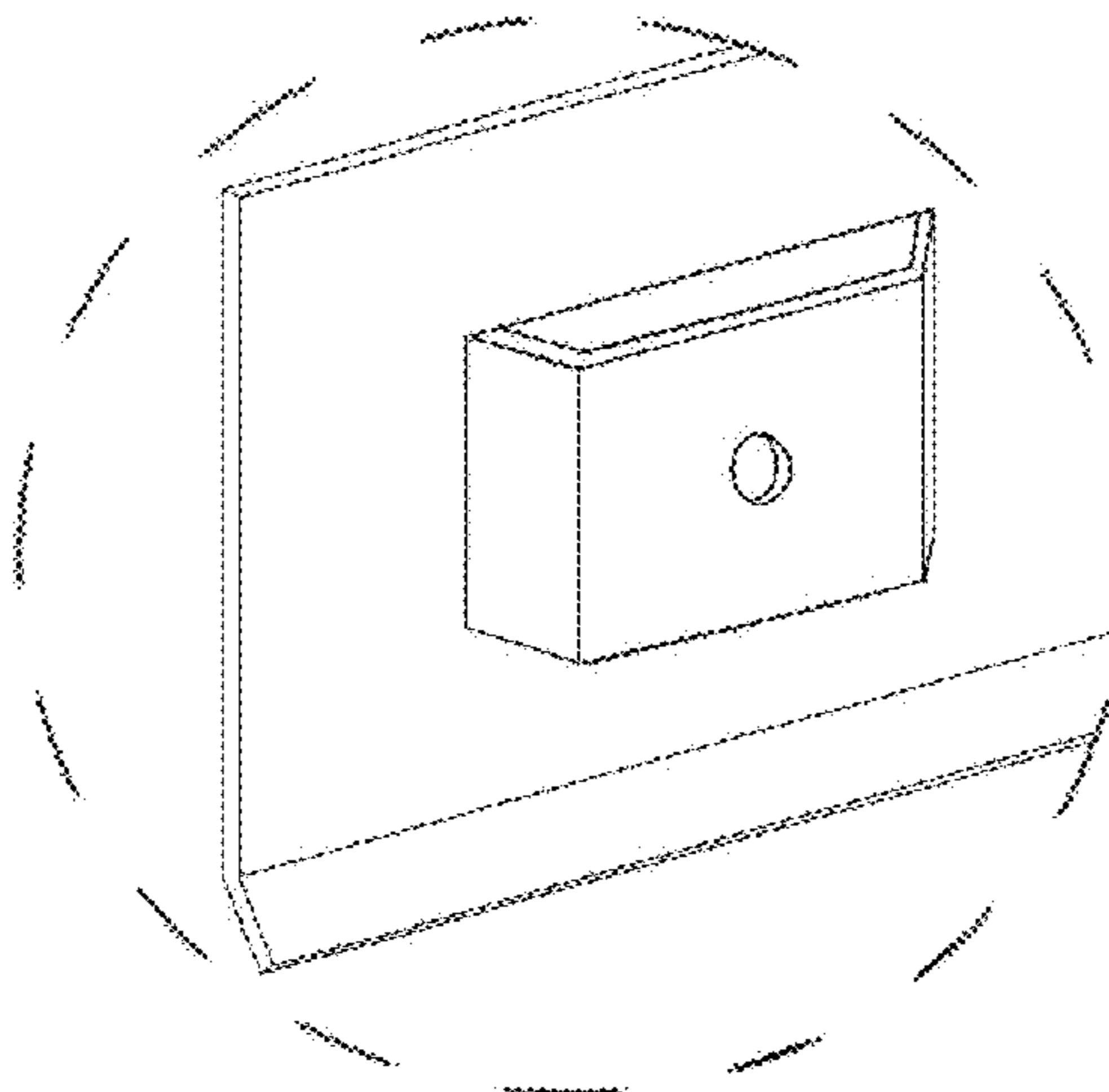
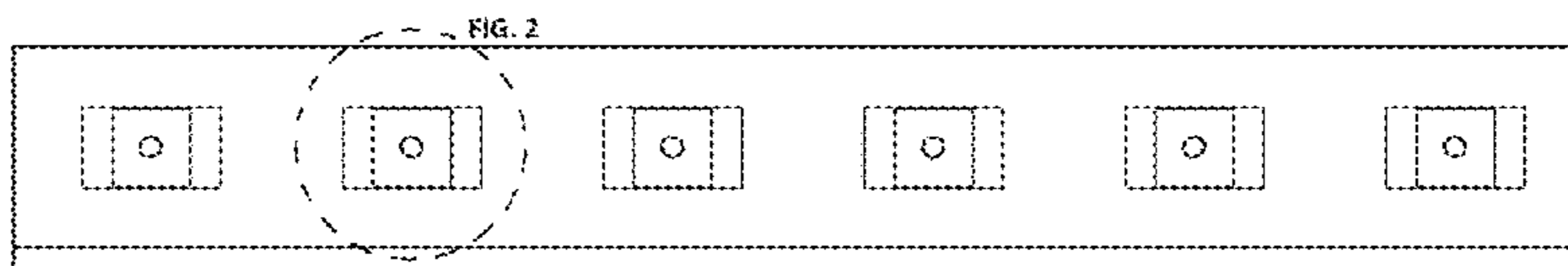
(57) **CLAIM**

The ornamental design for a tile hanger batten, as shown and described.

DESCRIPTION

FIG. 1 is a front plan view of a tile hanger batten showing my new design;
FIG. 2 is an enlarged section of the front plan view of FIG. 1;
FIG. 3 is a left side plan view of a tile hanger batten showing my new design;
FIG. 4 is a top plan view of a tile hanger batten showing my new design;
FIG. 5 is an enlarged section of the top plan view of FIG. 4;
FIG. 6 is a bottom plan view of a tile hanger batten showing my new design;
FIG. 7 is an enlarged section of the bottom plan view of FIG. 6;
FIG. 8 is a right side plan view of a tile hanger batten showing my new design;
FIG. 9 is a rear plan view of a tile hanger batten showing my new design;
FIG. 10 is an enlarged section of the rear plan view of FIG. 9;
FIG. 11 is a perspective view of a tile hanger batten showing my new design; and,
FIG. 12 is an enlarged section of the perspective view of FIG. 11.

1 Claim, 12 Drawing Sheets



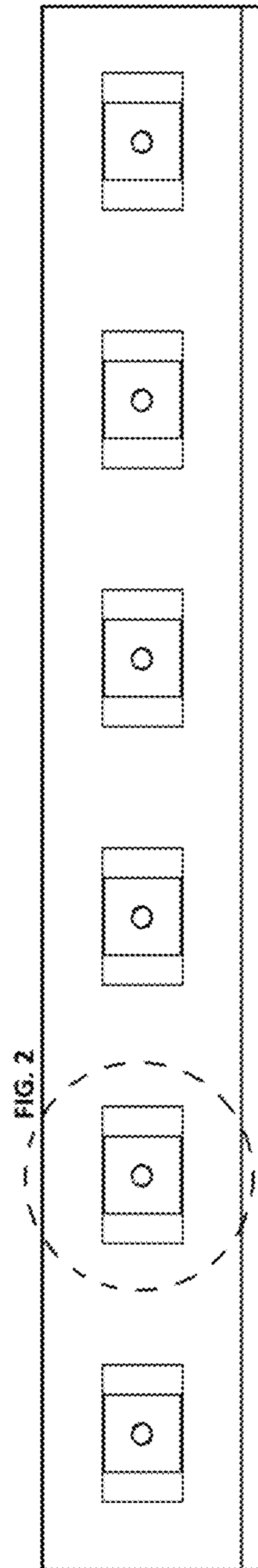


Fig. 1

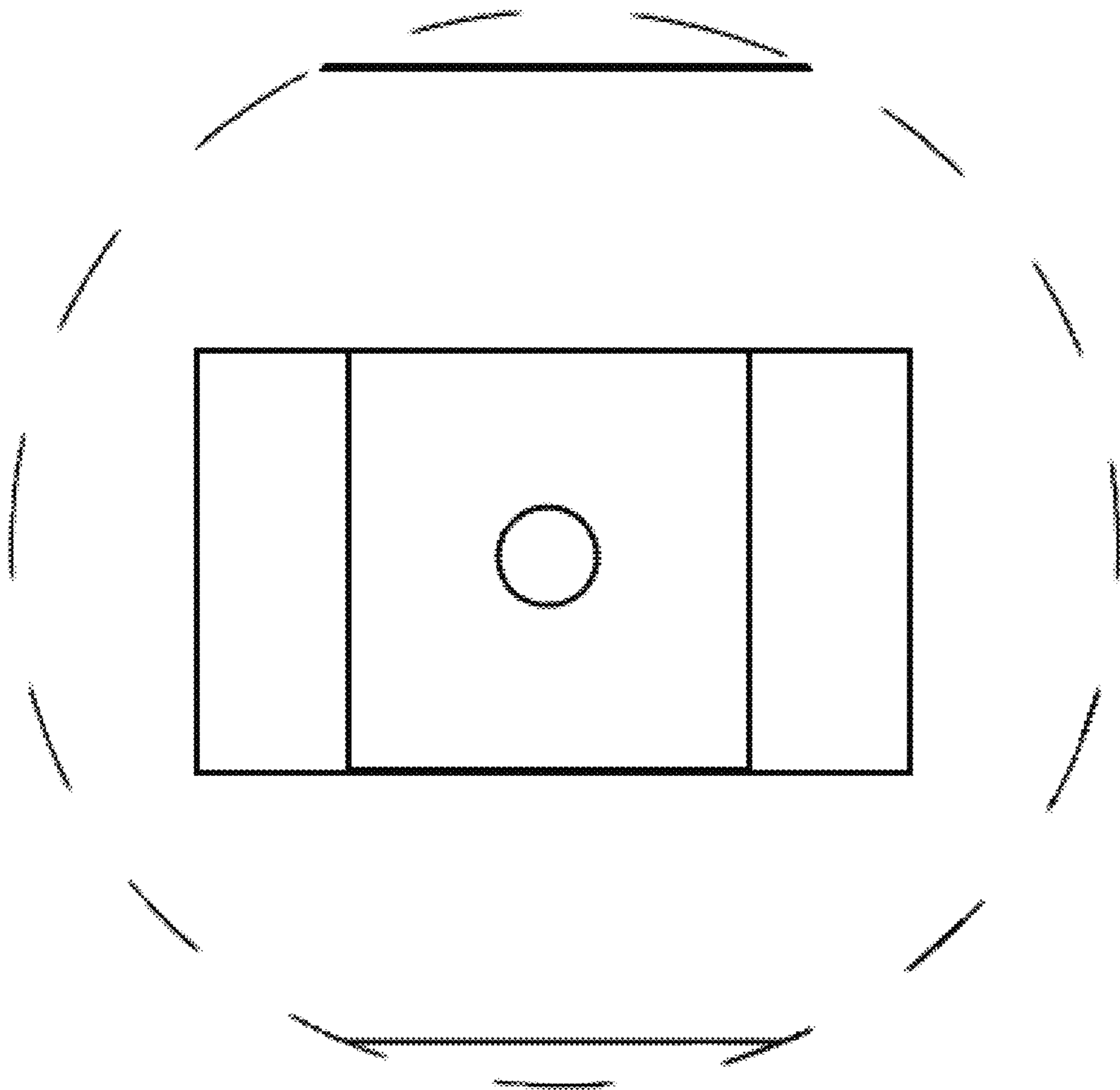


Fig. 2

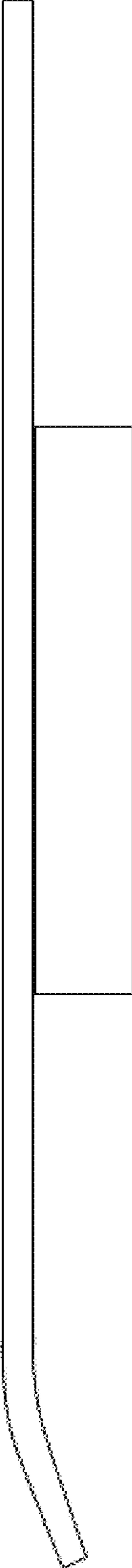


Fig. 3

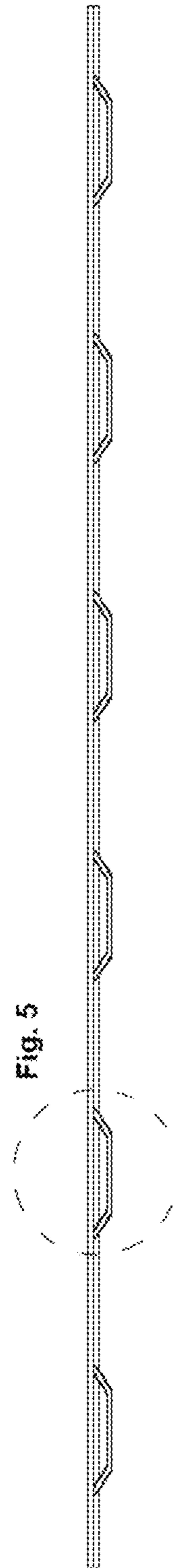


Fig. 4

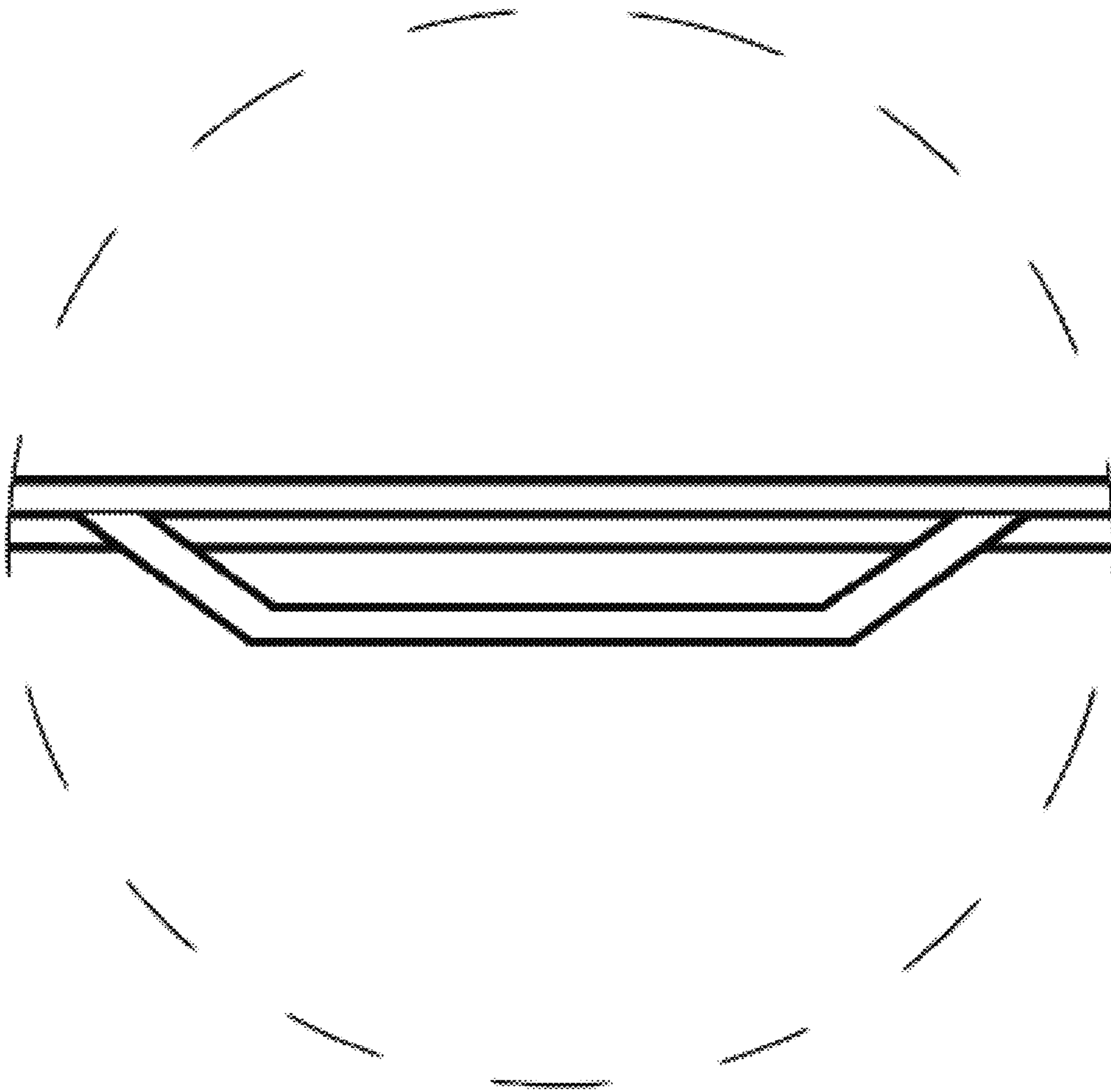


Fig. 5

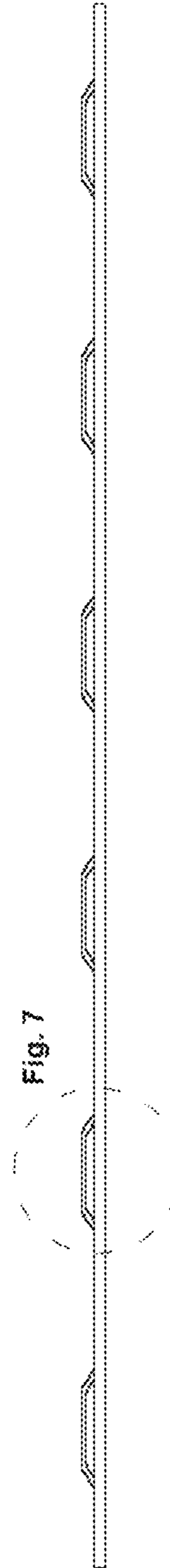


Fig. 6

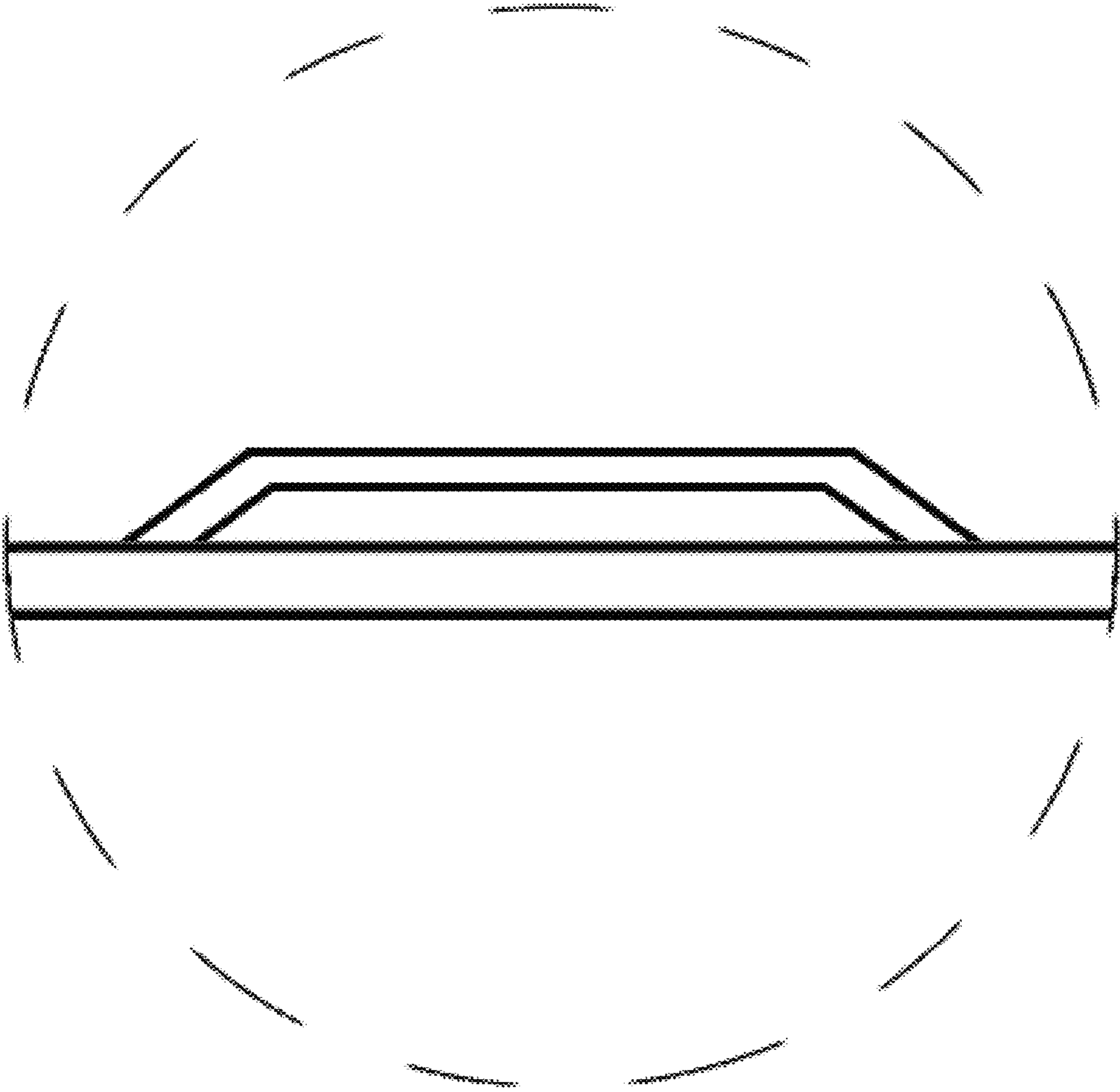


Fig. 7

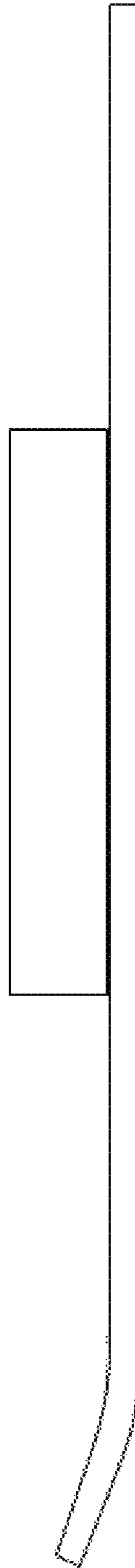


Fig. 8

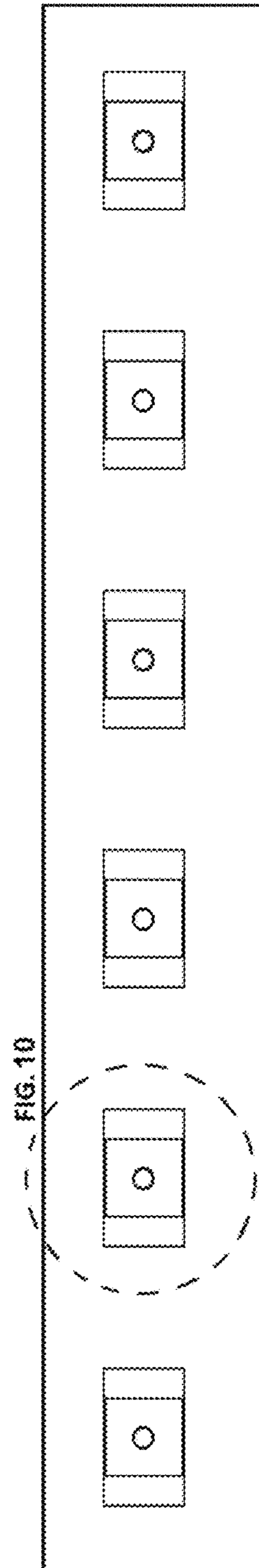


Fig. 9

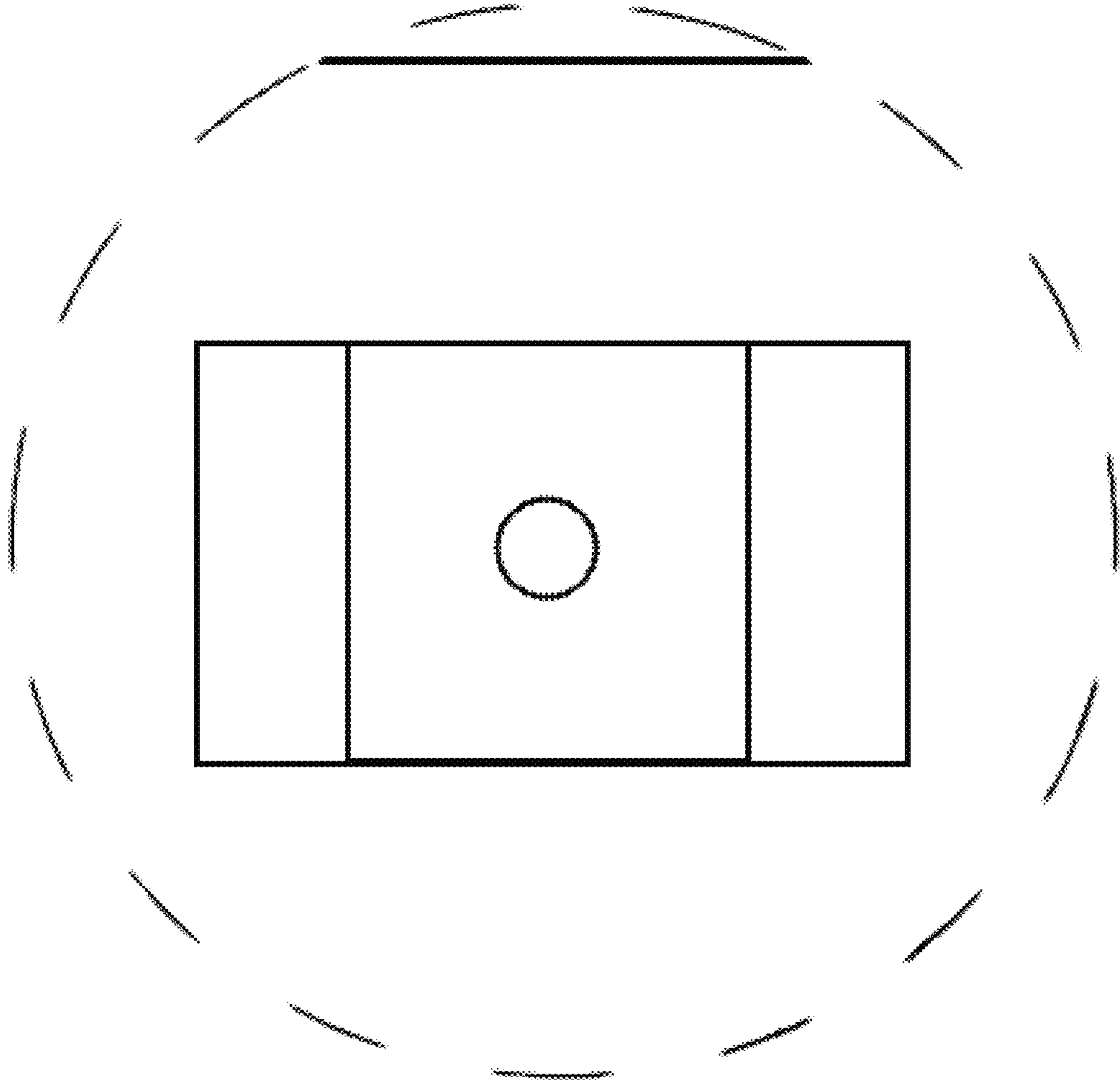


Fig. 10

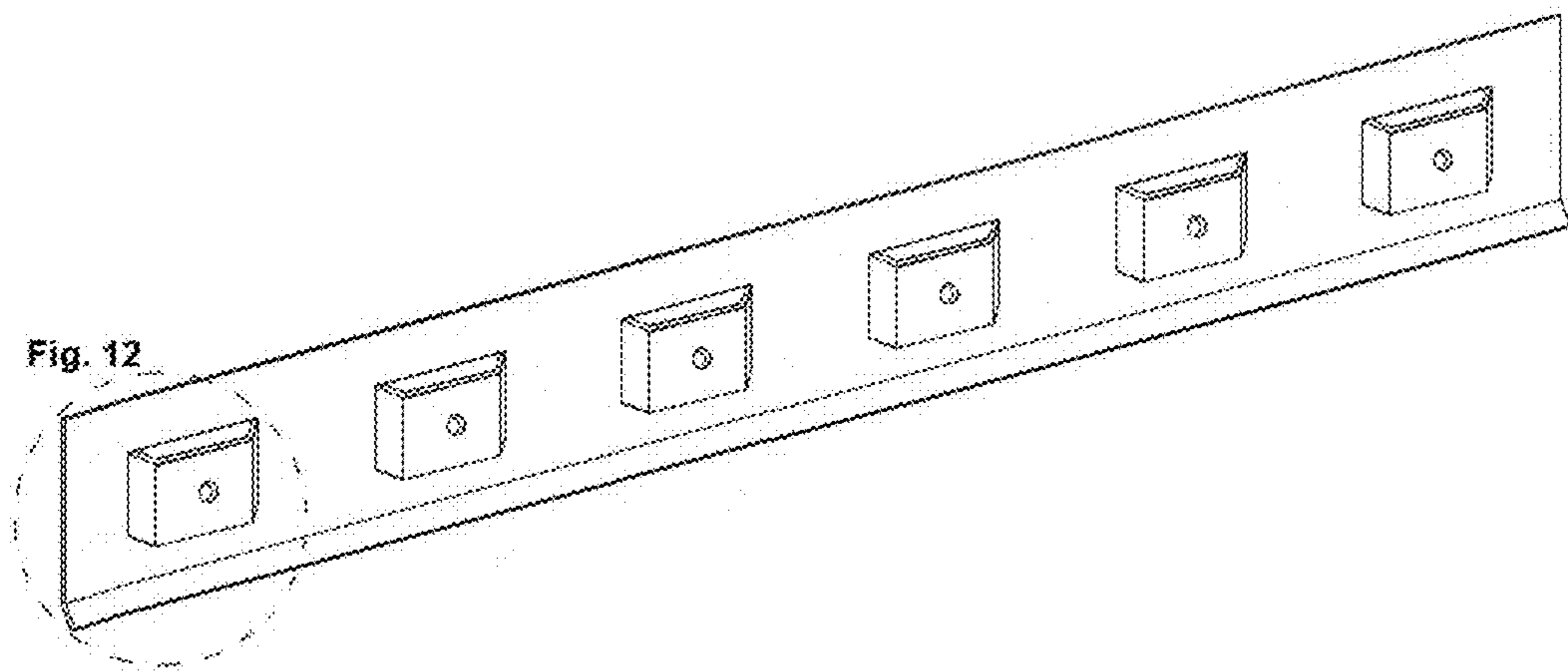


Fig. 11

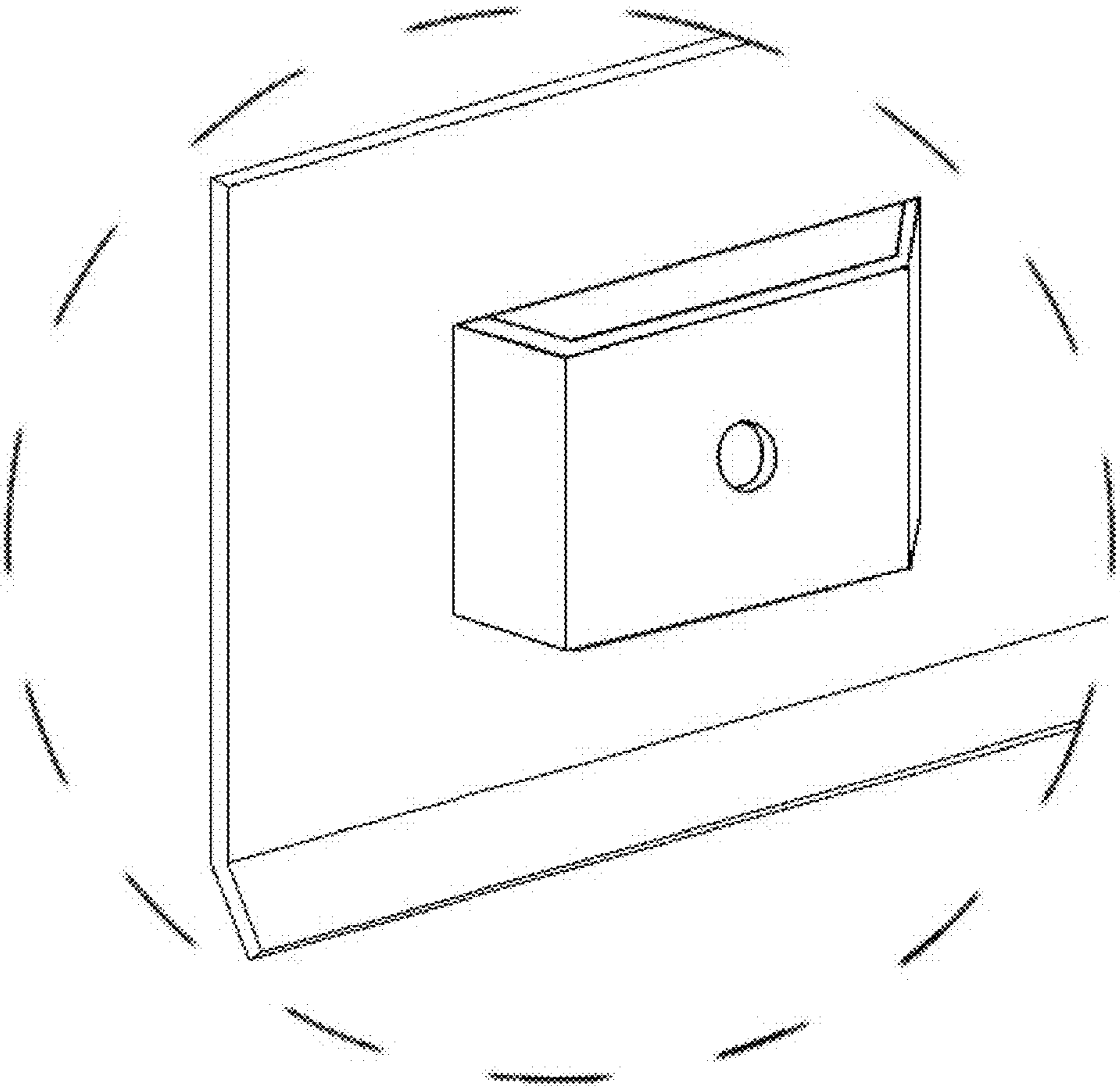


Fig. 12