



US00D808680S

(12) **United States Design Patent** (10) **Patent No.:** **US D808,680 S**
Dunn et al. (45) **Date of Patent:** **** Jan. 30, 2018**

(54) **CASSETTE**

(71) Applicant: **Munchkin, Inc.**, Van Nuys, CA (US)

(72) Inventors: **Steven Bryan Dunn**, Beverly Hills, CA (US); **Kevin Douglas Johnson**, Tarzana, CA (US)

(73) Assignee: **MUNCHKIN, INC.**, Van Nuys, CA (US)

(**) Term: **14 Years**

(21) Appl. No.: **29/510,858**

(22) Filed: **Dec. 3, 2014**

(51) **LOC (11) Cl.** **06-06**

(52) **U.S. Cl.**
USPC **D6/515**

(58) **Field of Classification Search**

USPC D6/515-523; D34/10
CPC B65D 21/0209; B65D 2543/00296; B65D 2519/00174; B65D 2543/00537; B65D 85/00; B65D 21/083; B65D 2519/00034; B65D 2519/00273; B65D 2519/00502; B65D 2519/00641; B65D 2543/00092; B65D 2543/00629; B65D 2543/00685; B65D 2519/00069; B65D 2519/00164; B65D 2519/00208; B65D 2519/00288; B65D 2519/00323; B65D 2519/00333; B65D 2519/00338; B65D 2519/00497; B65D 2519/00611; B65D 2519/00661; B65D 2519/00711; B65D 2543/0074; B65D 2543/00851; B65D 43/0212; B65D 43/022; B65D 45/22; B65D 53/02; B65D 5/324; B65D 5/443; B65D 5/62; B65D 7/22; B65D 7/04; B65D 7/12; B65D 7/38; B65D 81/025; B65D 81/26

See application file for complete search history.

(56) **References Cited**

U.S. PATENT DOCUMENTS

2,671,906 A 3/1954 Potts
2,989,828 A 6/1961 Warp
3,152,576 A 10/1964 Faurot
D201,670 S 7/1965 Moore
3,321,103 A 5/1967 Phillips

(Continued)

FOREIGN PATENT DOCUMENTS

CA 2366384 6/2003
CA 2486136 5/2005

(Continued)

OTHER PUBLICATIONS

International Search Report and Written Opinion for PCT/US2013/029555 dated Jul. 9, 2013 (pp. 1-10).

(Continued)

Primary Examiner — Ian Simmons

Assistant Examiner — Khawaja Anwar

(74) *Attorney, Agent, or Firm* — Robert Z. Evora, Esq.;
Moazzam & Associates, LLC

(57) **CLAIM**

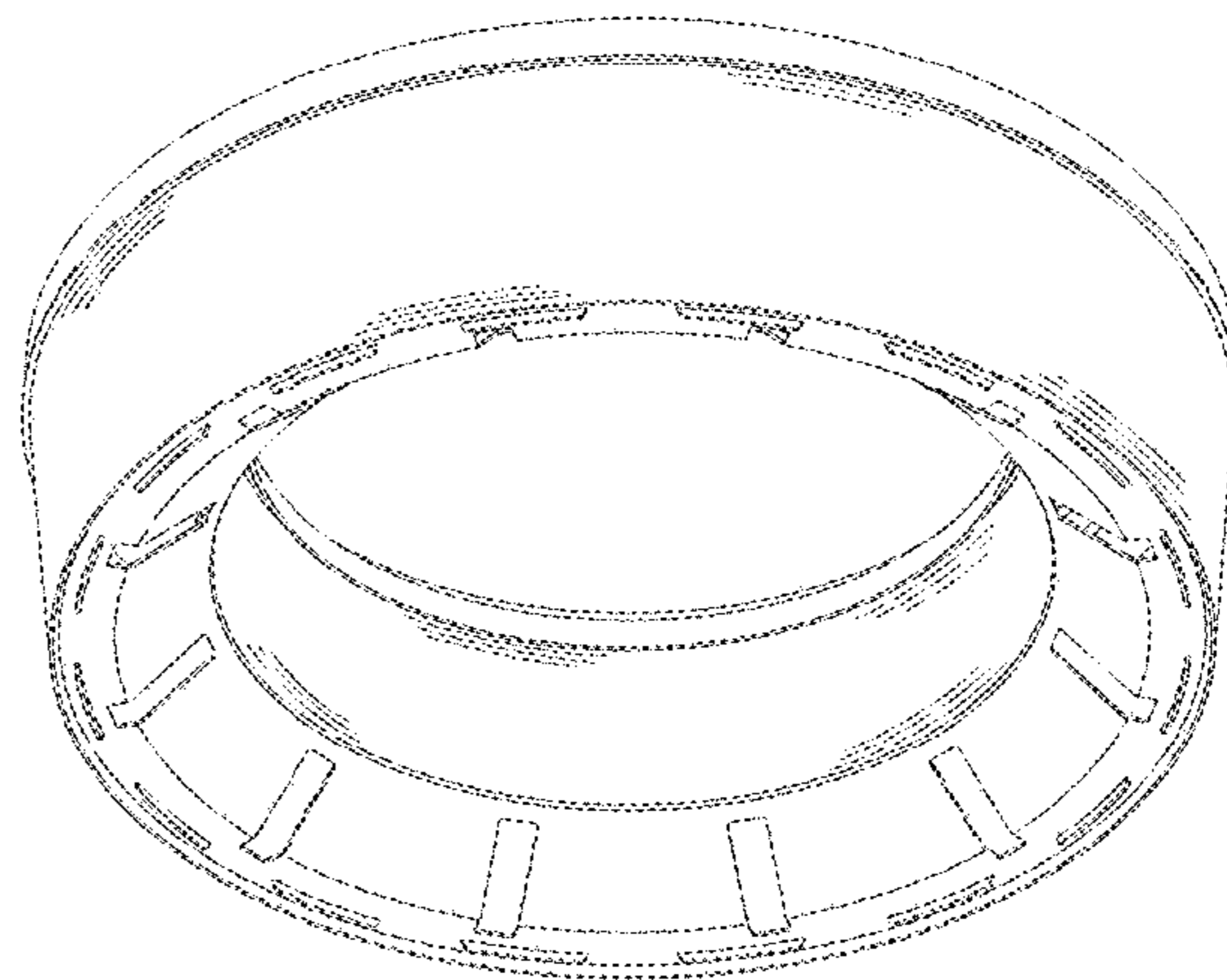
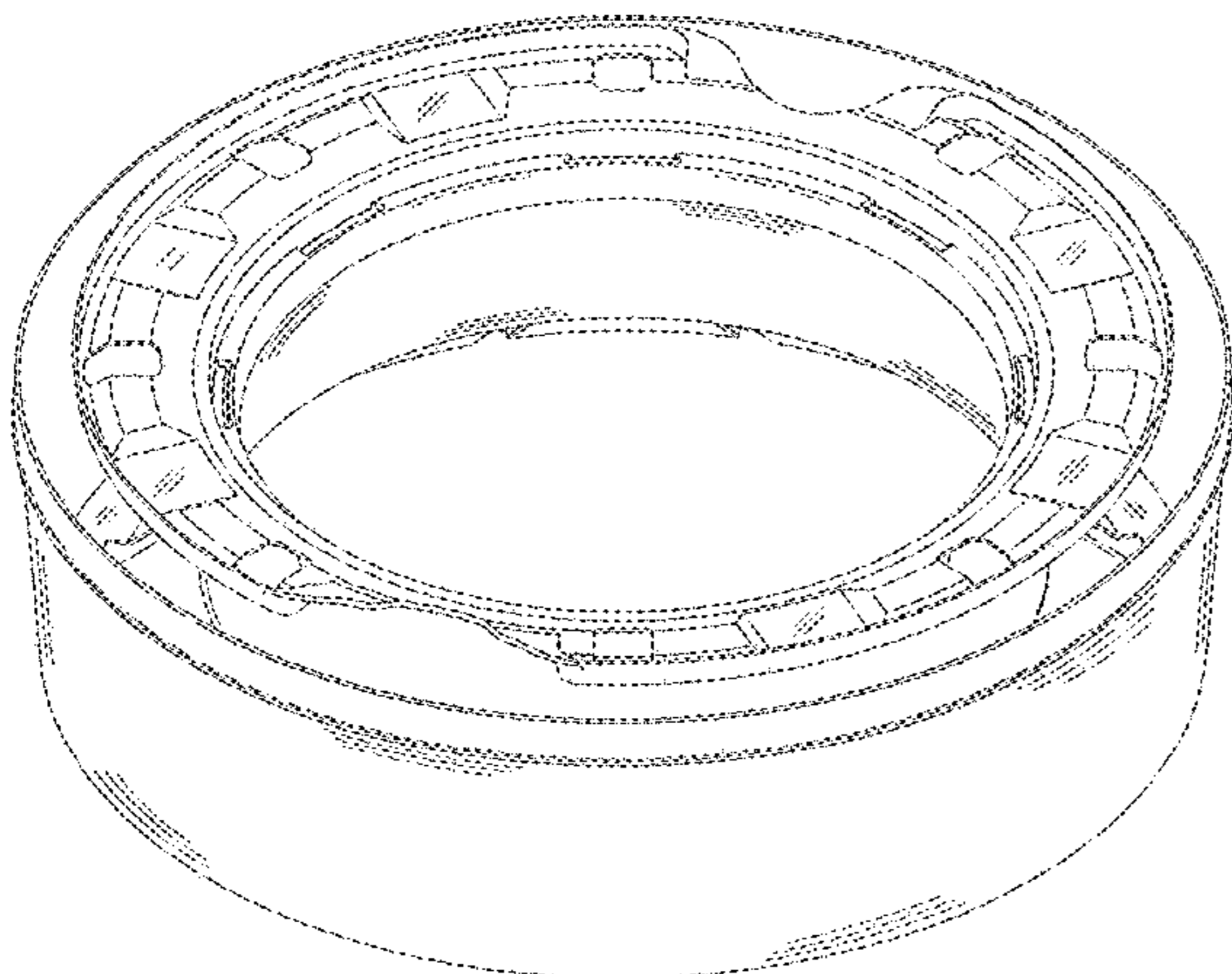
The ornamental design for a cassette, as shown and described.

DESCRIPTION

FIG. 1 is an upper front perspective view of a cassette of our new design;
FIG. 2 is a bottom front perspective thereof;
FIG. 3 is a front view thereof;
FIG. 4 is a right side view thereof;
FIG. 5 is a left side view thereof;
FIG. 6 is a top view thereof; and,
FIG. 7 is a bottom view thereof.

The broken line in the figure drawings represents unclaimed environment only and forms no part of the claimed design.

1 Claim, 5 Drawing Sheets



(56)

References Cited

U.S. PATENT DOCUMENTS

3,376,046 A 4/1968 Kivett et al.
 3,401,409 A 9/1968 Ekrut
 3,452,368 A 7/1969 Cooper
 3,536,192 A 10/1970 Couper
 3,602,924 A 9/1971 Kneisley
 3,619,822 A 11/1971 Carmichael
 3,723,999 A 4/1973 Miller
 3,746,159 A 7/1973 May
 3,938,300 A 2/1976 Lovqvist
 3,956,510 A 5/1976 Beall
 4,085,706 A 4/1978 Evans
 4,132,047 A 1/1979 Gerigk et al.
 4,408,692 A 10/1983 Sigel et al.
 4,420,093 A 12/1983 Von Holdt
 4,505,003 A 3/1985 Becker et al.
 4,528,719 A 7/1985 Frey
 D279,949 S 8/1985 Rossin
 D302,753 S 8/1989 Zelinger
 4,869,049 A 9/1989 Richards et al.
 4,934,529 A 6/1990 Richards et al.
 5,045,020 A 9/1991 Neeff et al.
 5,046,219 A 9/1991 Stanley
 5,056,293 A 10/1991 Richard et al.
 D321,572 S 11/1991 Laden
 5,230,651 A 7/1993 Farkonas et al.
 D351,606 S 10/1994 Markusson et al.
 5,535,913 A 7/1996 Asbach et al.
 5,590,512 A 1/1997 Richards et al.
 D381,472 S 7/1997 Catalano et al.
 5,699,925 A 12/1997 Petruzzi
 5,813,200 A 9/1998 Jacoby et al.
 5,971,194 A 10/1999 Freedland
 6,065,272 A 5/2000 Lecomte
 6,128,890 A 10/2000 Firth
 6,170,240 B1 1/2001 Jacoby et al.
 6,370,847 B1 4/2002 Jensen et al.
 6,612,099 B2 9/2003 Stravitz et al.
 6,925,781 B1 8/2005 Kunth et al.
 6,941,733 B2 9/2005 Chomik et al.
 6,974,029 B2 12/2005 Morand et al.
 7,100,767 B2 9/2006 Chomik et al.
 7,395,646 B2 7/2008 Salman et al.
 D614,897 S 5/2010 Morand et al.
 D615,786 S 5/2010 Morand et al.
 7,707,808 B2 5/2010 Chomik et al.
 7,743,588 B2 6/2010 Webb et al.
 7,757,467 B2 7/2010 Chomik et al.

8,091,325 B2 1/2012 Stravitz et al.
 D664,386 S * 7/2012 Ohnishi D6/515
 8,440,316 B2 5/2013 Chomik et al.
 8,484,936 B2 7/2013 Tannock
 D695,541 S * 12/2013 Dunn D6/515
 D705,566 S * 5/2014 Morand D6/515
 D705,567 S * 5/2014 Morand D6/515
 D705,568 S * 5/2014 Morand D6/515
 D706,055 S * 6/2014 Morand D6/515
 2003/0121923 A1 7/2003 Morand et al.
 2004/0217122 A1 11/2004 Trinko et al.
 2007/0219425 A1 9/2007 Moore
 2008/0121640 A1 5/2008 Chomik et al.
 2008/0272140 A1 11/2008 Mowers et al.
 2009/0100806 A1 4/2009 Morand
 2011/0000172 A1 1/2011 Morand
 2014/0110293 A1 4/2014 Dunn et al.

FOREIGN PATENT DOCUMENTS

CA	2686128	11/2008
CA	2640384	4/2009
CA	2855159	4/2009
CA	2936415	4/2009
CA	2936421	4/2009
CA	2387183	5/2009
CA	2937312	10/2016
DE	9319683	6/1994
EP	303517	2/1989
EP	0303517	2/1989
EP	699584	6/1996
EP	1212248	8/2003
GB	2221889	2/1990
JP	5429272	3/1979
JP	63123701	5/1988
WO	WO199817536	4/1998
WO	WO9939995	8/1999
WO	WO2002020354 A	3/2002
WO	WO02100723	12/2002
WO	WO2003059748	7/2003
WO	WO2003068635	8/2003
WO	WO2005042381	5/2005
WO	WO2009007723 A	1/2009

OTHER PUBLICATIONS

International Search Report and Written Opinion for PCT/US2015060454, dated Jan. 29, 2016 (pp. 1-9).

* cited by examiner

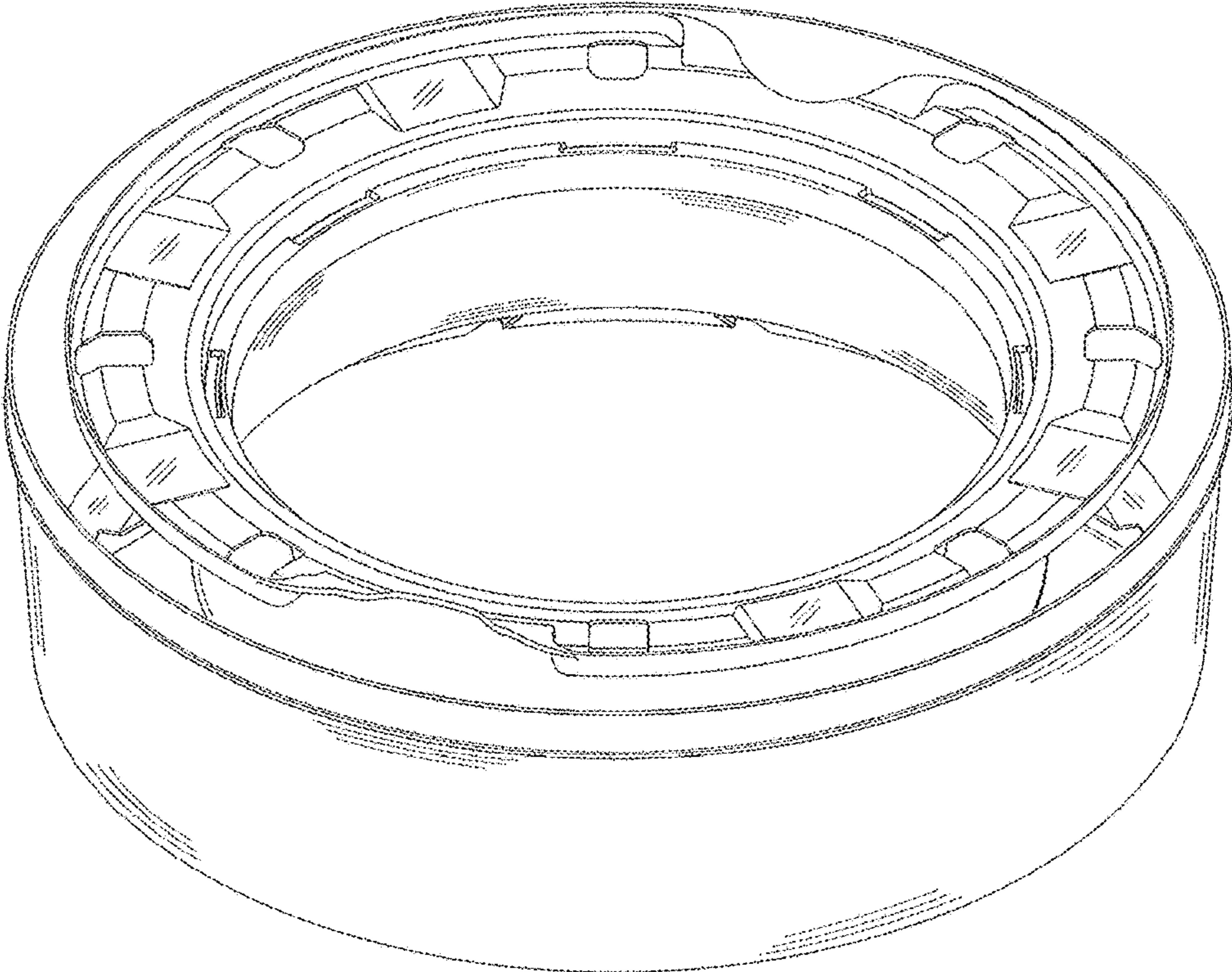


FIG. 1

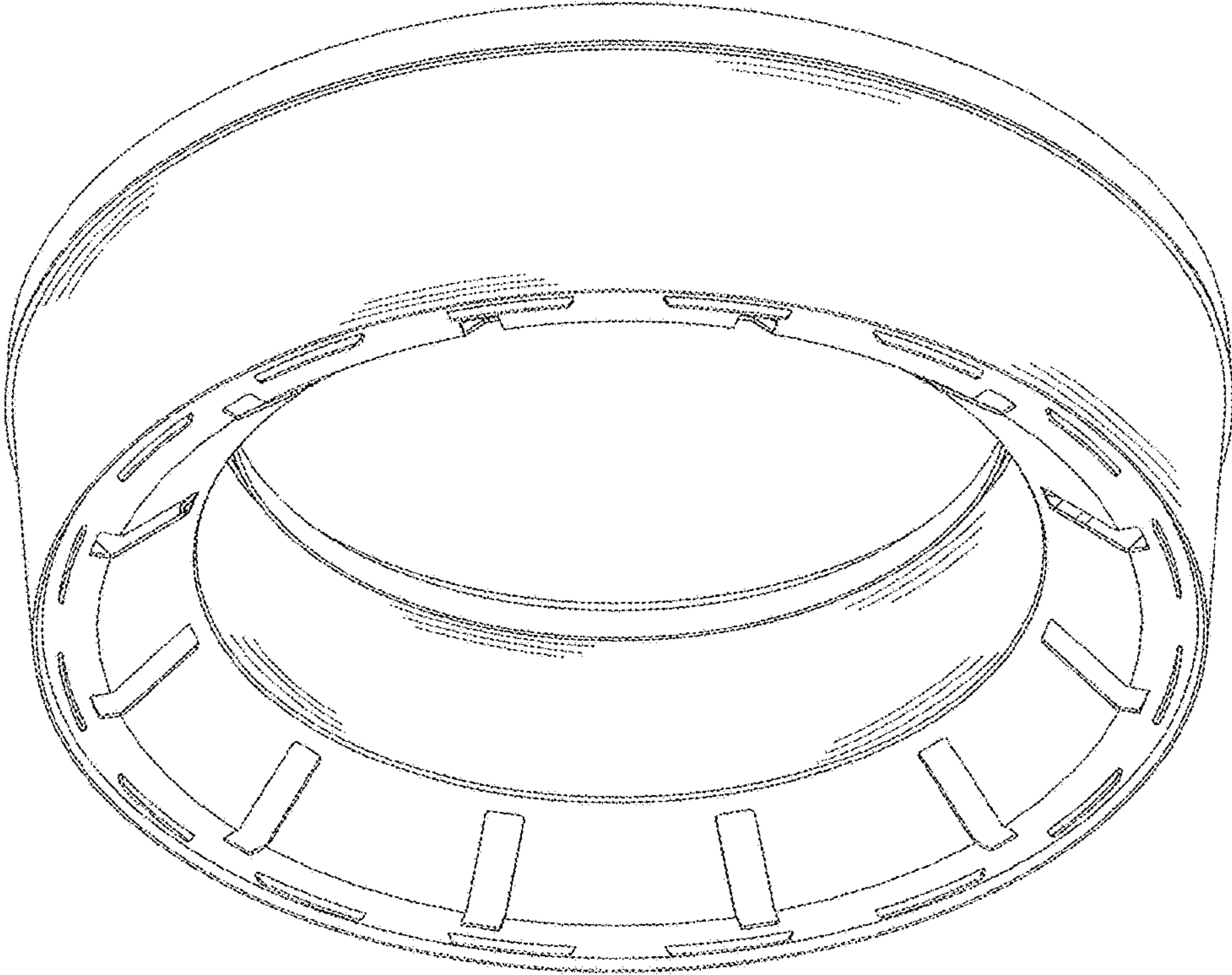


FIG. 2

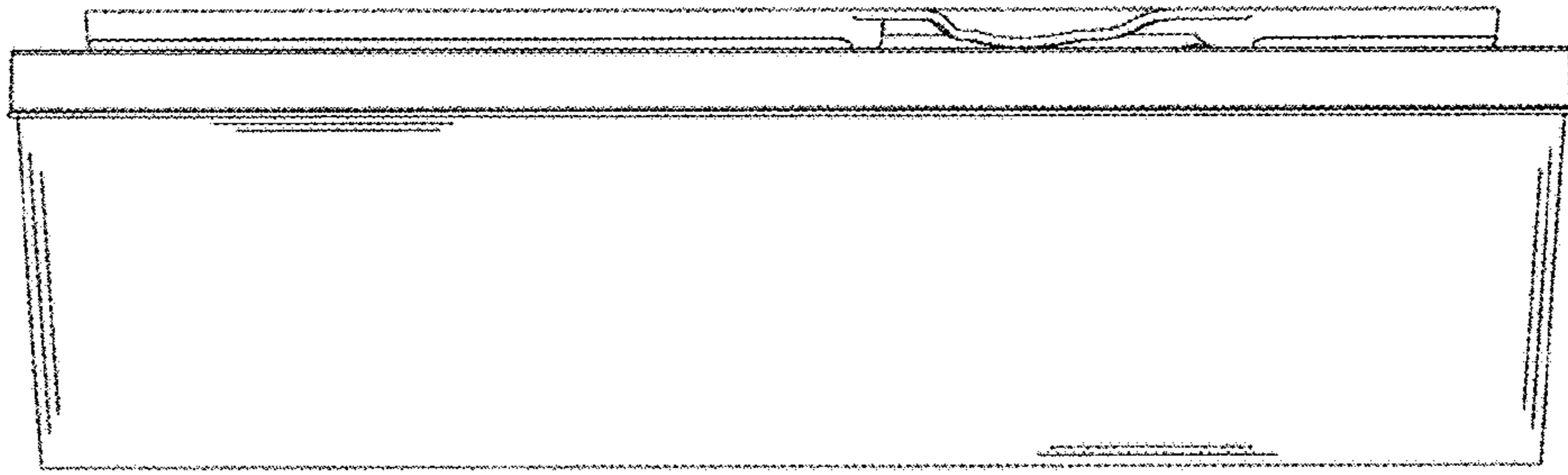


FIG. 3

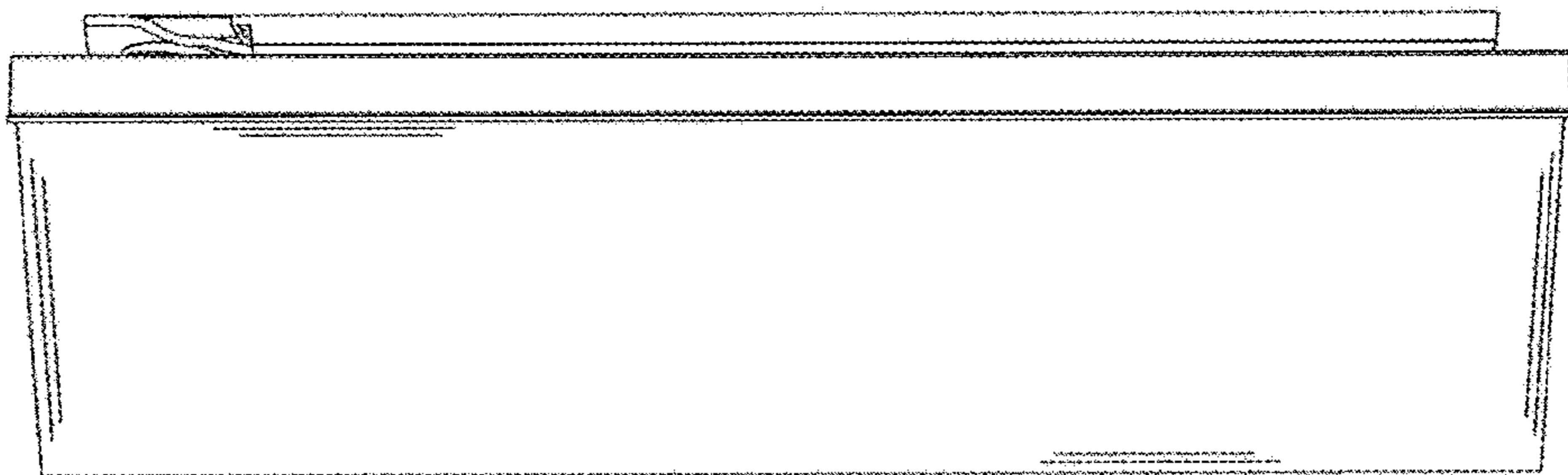


FIG. 4

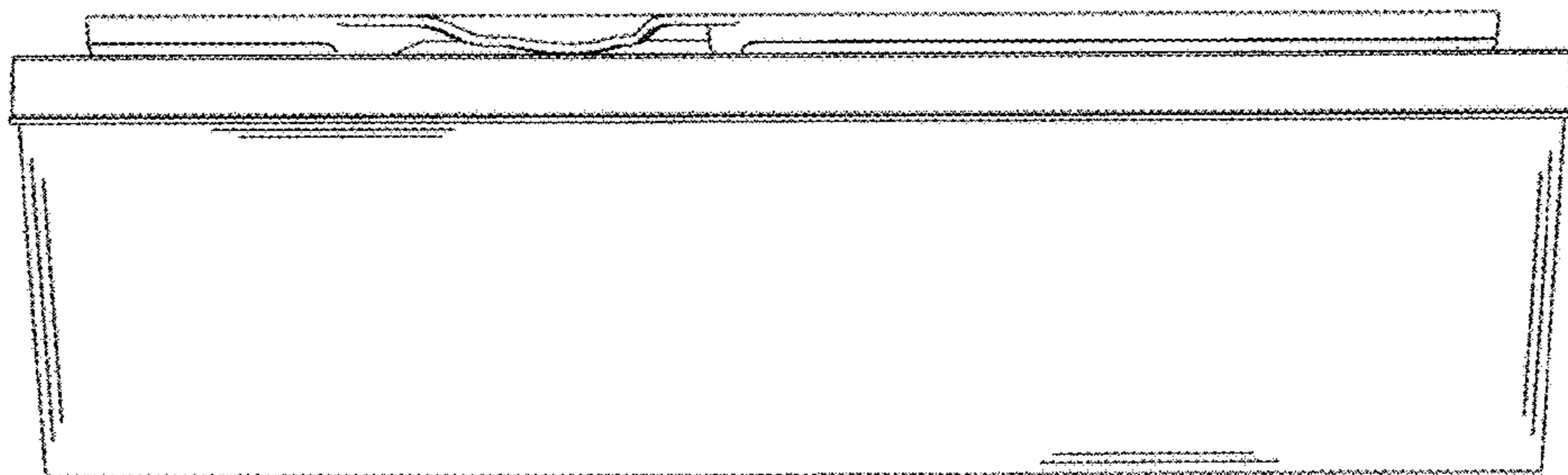


FIG. 5

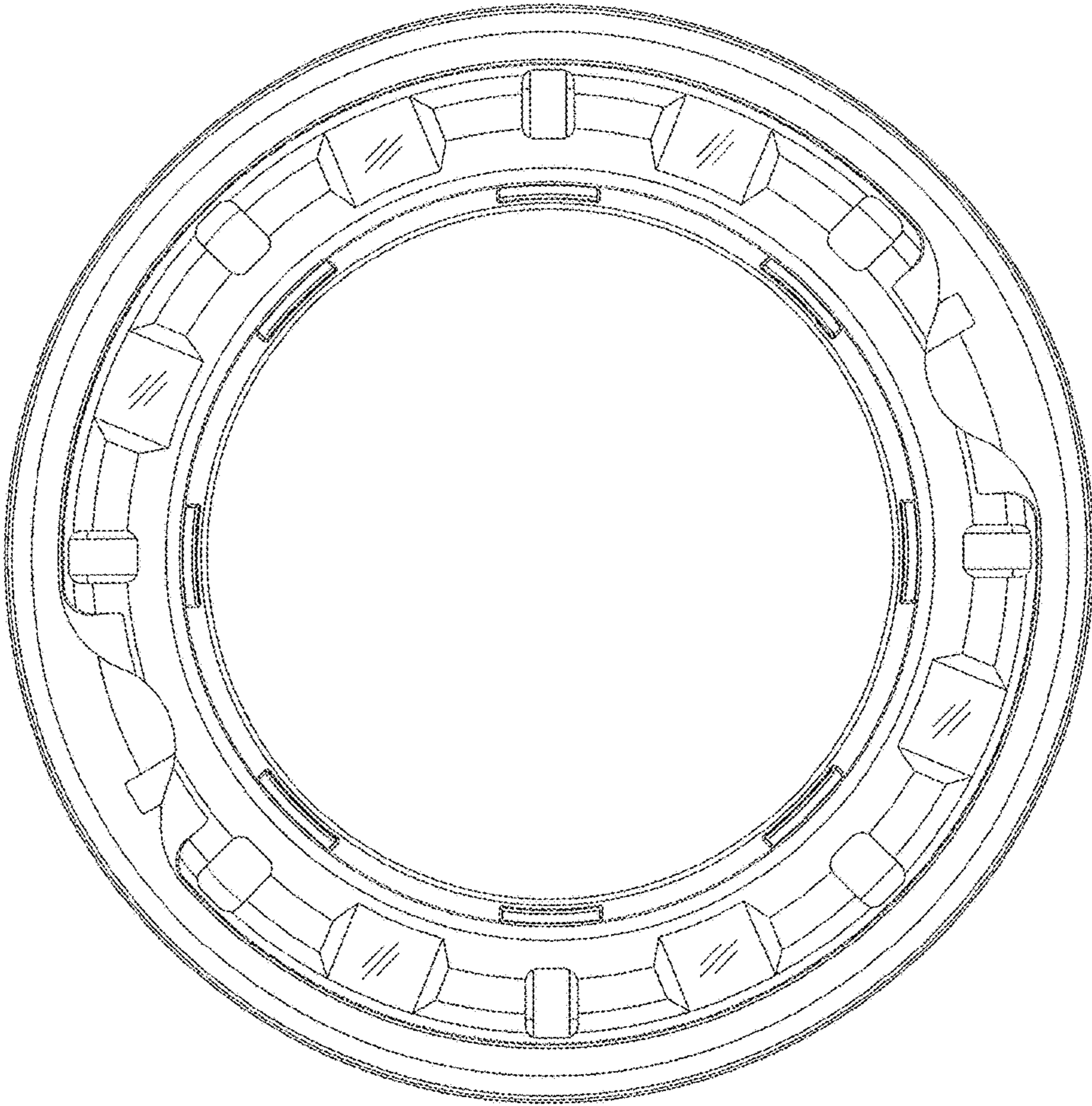


FIG. 6

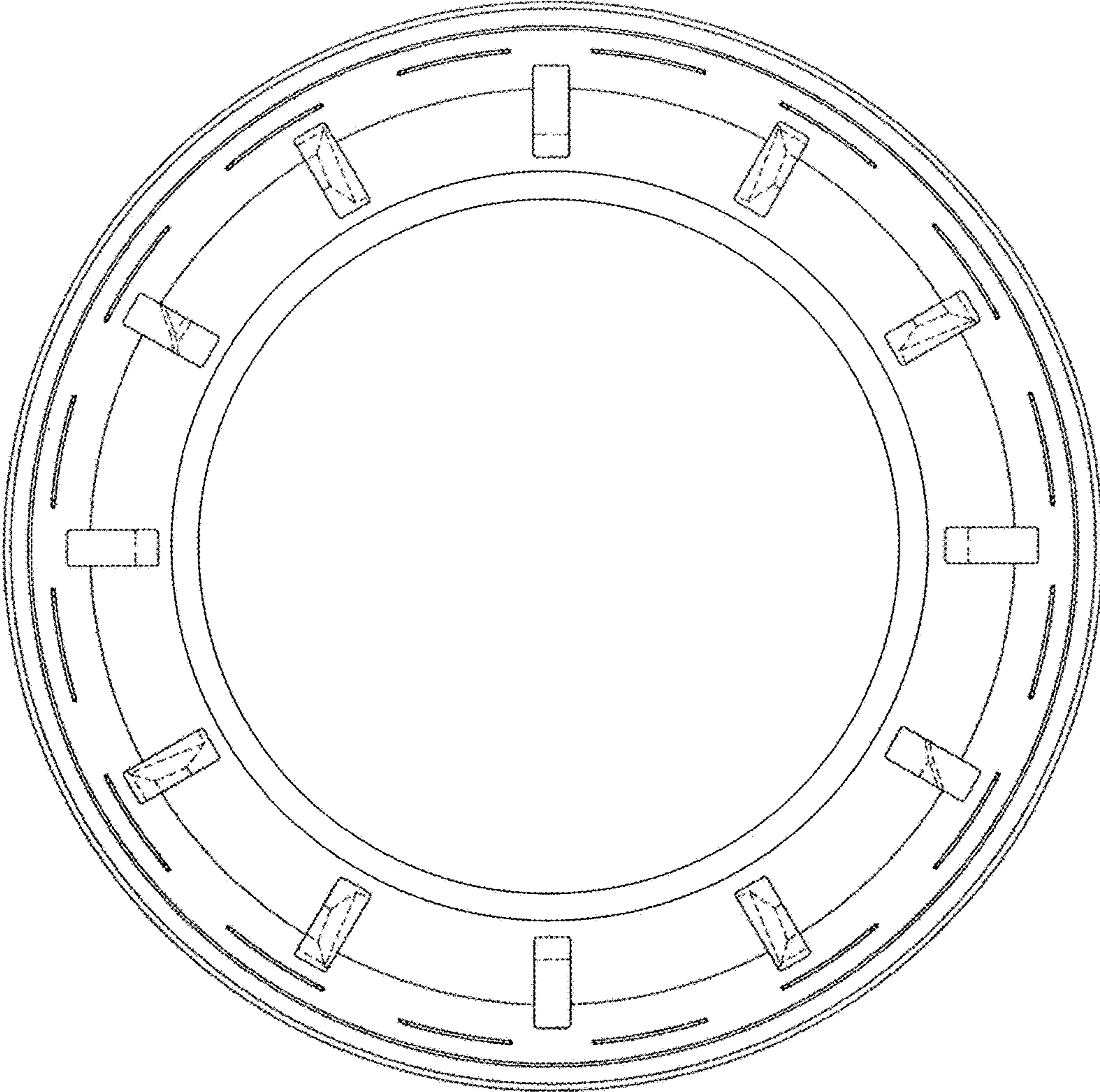


FIG. 7