



US00D808676S

(12) **United States Design Patent**
Bellissimo

(10) **Patent No.:** **US D808,676 S**

(45) **Date of Patent:** **** Jan. 30, 2018**

(54) **RISER MOUNTED ROW SEATS**

(71) Applicant: **4Topps, LLC**, Winston-Salem, NC
(US)

(72) Inventor: **Joseph Bellissimo**, Winston-Salem, NC
(US)

(73) Assignee: **4Topps, LLC**, Winston-Salem, NC
(US)

(**) Term: **15 Years**

(21) Appl. No.: **29/578,365**

(22) Filed: **Sep. 21, 2016**

(51) **LOC (11) Cl.** **06-01**

(52) **U.S. Cl.**
USPC **D6/362**

(58) **Field of Classification Search**

USPC D6/333, 334, 344, 348, 356, 360–366,
D6/368, 369–371, 374, 377, 380, 381,
D6/708, 716; D12/52; D11/184;
D21/521, 534–539, 674, 676, 687, 688,
D21/690, 828; D23/292; D30/118
CPC ... B64D 11/06; B64D 11/064; B64D 11/0601;
B64D 11/0602; B64D 11/0606; B64D
11/0604; B64D 11/0605; B64D 11/0641;
B64D 11/0638; B64D 11/0643; B64D
11/0644; B64D 11/0647; B60N 2/01;
B60N 2/583; B60N 2/4221; B60N
2/4606; B60N 2/7011; A47C 1/036;
A47C 1/037; A47C 1/02; A47C 1/14;
A47C 1/16; A47C 1/143; A47C 1/146;
A47C 1/0342; A47C 3/12; A47C 4/03;
A47C 4/024; A47C 5/12; A47C 7/26;
A47C 7/506; A47C 7/021; A47C 7/16;
A47C 7/18; A47C 7/54; A47C 7/62;
A47C 7/70; A47C 7/744; A47C 7/185;
Y10T 29/49826

See application file for complete search history.

(56) **References Cited**

U.S. PATENT DOCUMENTS

D165,457 S *	12/1951	Hoven et al.	D6/368
2,595,582 A *	5/1952	Hoven	A47C 7/26 297/302.4
2,620,858 A *	12/1952	Hoven	A47C 7/58 248/575
3,137,527 A *	6/1964	Hoven	A47C 1/121 297/331
3,182,377 A *	5/1965	Hoven	A47C 1/12 29/91
3,281,185 A *	10/1966	Albinson	A47C 5/12 297/218.5
3,287,060 A *	11/1966	Thompson	A47C 7/563 297/332
3,464,753 A *	9/1969	Van Ryn	A47C 1/12 297/232

(Continued)

OTHER PUBLICATIONS

Airflow Mesh Stadium Seating Product Design, <http://4topps.com/product.php?id=air-flow-mesh>.

(Continued)

Primary Examiner — Kevin K Rudzinski

Assistant Examiner — Paul D Bohannon

(74) *Attorney, Agent, or Firm* — MacCord Mason PLLC

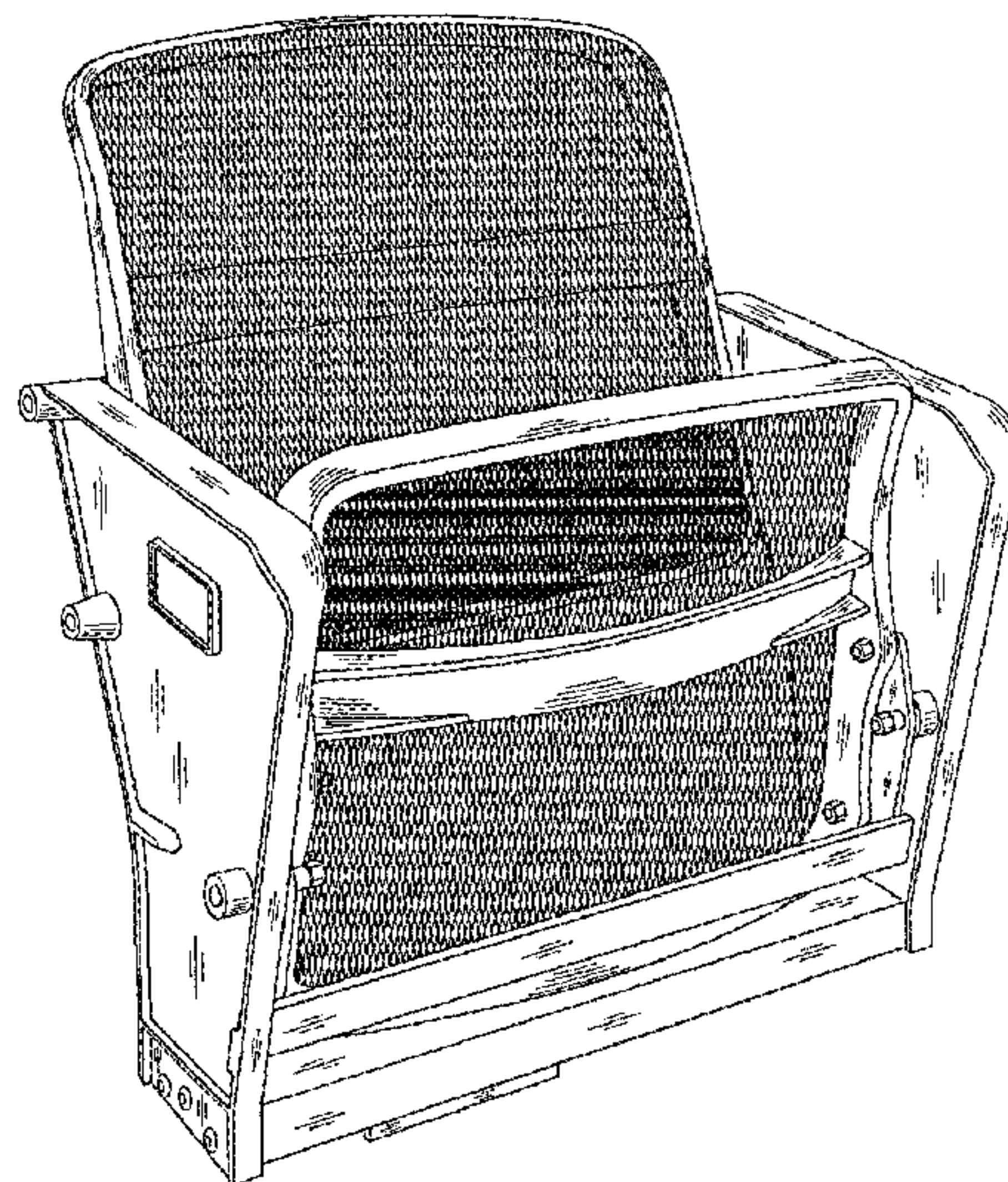
(57) **CLAIM**

The ornamental design for riser mounted row seats, as shown and described.

DESCRIPTION

FIG. 1 is a front perspective view of riser mounted row seats according to the new design;
FIG. 2 is a side view of the design of the seat in FIG. 1, the opposite side view being a mirror image thereof;
FIG. 3 is a front view of the seat of FIG. 1; and,
FIG. 4 is a rear view of the seat of FIG. 1.

1 Claim, 4 Drawing Sheets



(56)

References Cited

U.S. PATENT DOCUMENTS

3,479,084 A * 11/1969 Van Ryn A47C 7/70
 297/162
 D216,305 S * 12/1969 Gazit D6/368
 D222,350 S * 10/1971 Sundberg D6/368
 3,628,830 A * 12/1971 Mitjans A47C 7/02
 297/218.3
 3,638,998 A * 2/1972 Anderson A47C 1/12
 297/332
 3,690,726 A * 9/1972 Van Ryn A47C 1/12
 297/332
 D226,058 S * 1/1973 Woods D6/368
 5,040,846 A * 8/1991 Finney A47C 1/12
 297/259.1
 5,375,914 A * 12/1994 Donnelly A47C 1/121
 297/335
 5,393,120 A * 2/1995 Woods A47C 7/56
 297/292
 5,700,052 A * 12/1997 Yamazaki A47C 1/12
 181/295
 6,582,020 B1 * 6/2003 Tenenboym A47C 1/121
 297/188.14
 D479,657 S * 9/2003 Calatrava Valls D6/368

D520,765 S * 5/2006 Piano D6/368
 D530,936 S * 10/2006 Gehry D6/368
 8,256,835 B2 * 9/2012 Brink A47C 1/121
 297/145
 D672,980 S * 12/2012 Mitjans D6/364
 D681,969 S * 5/2013 Mitjans D6/364
 8,713,856 B1 5/2014 Bellissimo et al. 52/8
 8,973,308 B1 * 3/2015 Bellissimo E04H 3/12
 52/8
 2003/0102703 A1 * 6/2003 Tenenboym A47C 1/121
 297/326
 2006/0186718 A1 * 8/2006 Griepentrog A47C 17/175
 297/341
 2007/0063568 A1 * 3/2007 Figueras Mitjans A47C 7/54
 297/411.2
 2014/0225404 A1 * 8/2014 Ramirez Magana A47C 1/12
 297/248

OTHER PUBLICATIONS

4Topps sells seating to new Canadian stadium, Triad Business
 Journal, <http://www.bizjournals.com/triad/news/2012/10/01/4topps-sells-seating-to-new-cfl-stadium.html>.
 Photograph of Prior 4Topps Product.

* cited by examiner

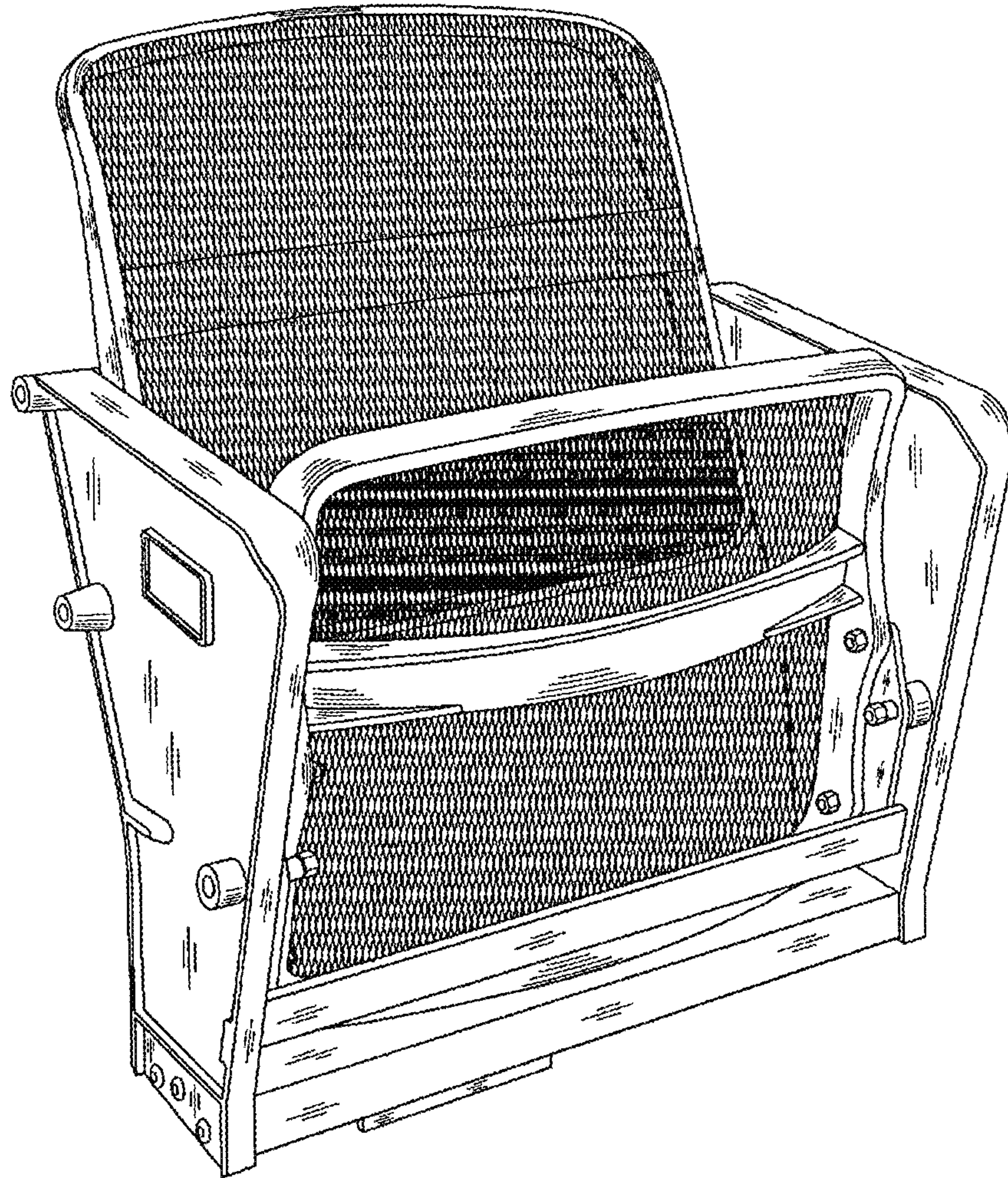


FIG. 1

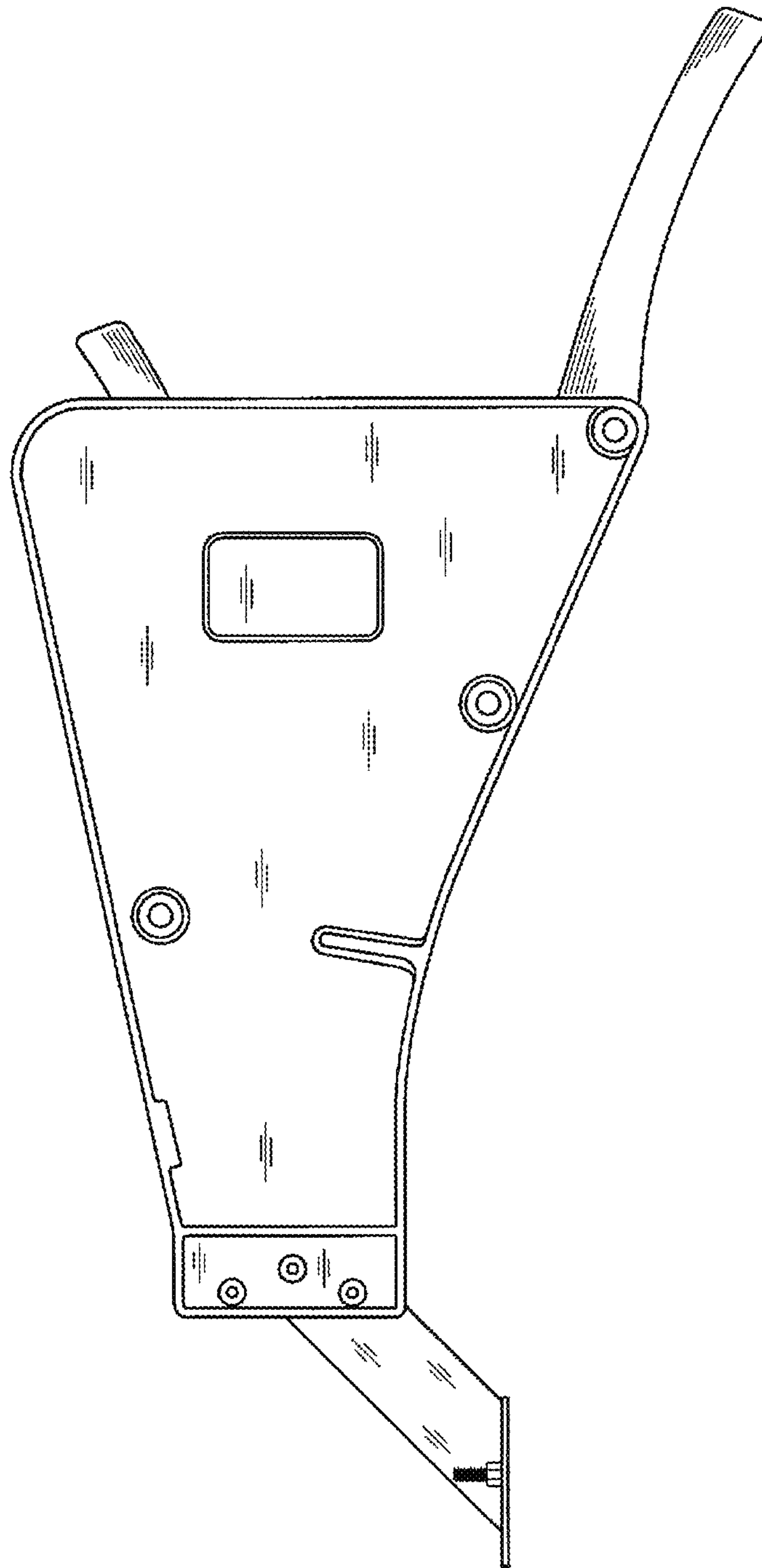


FIG. 2

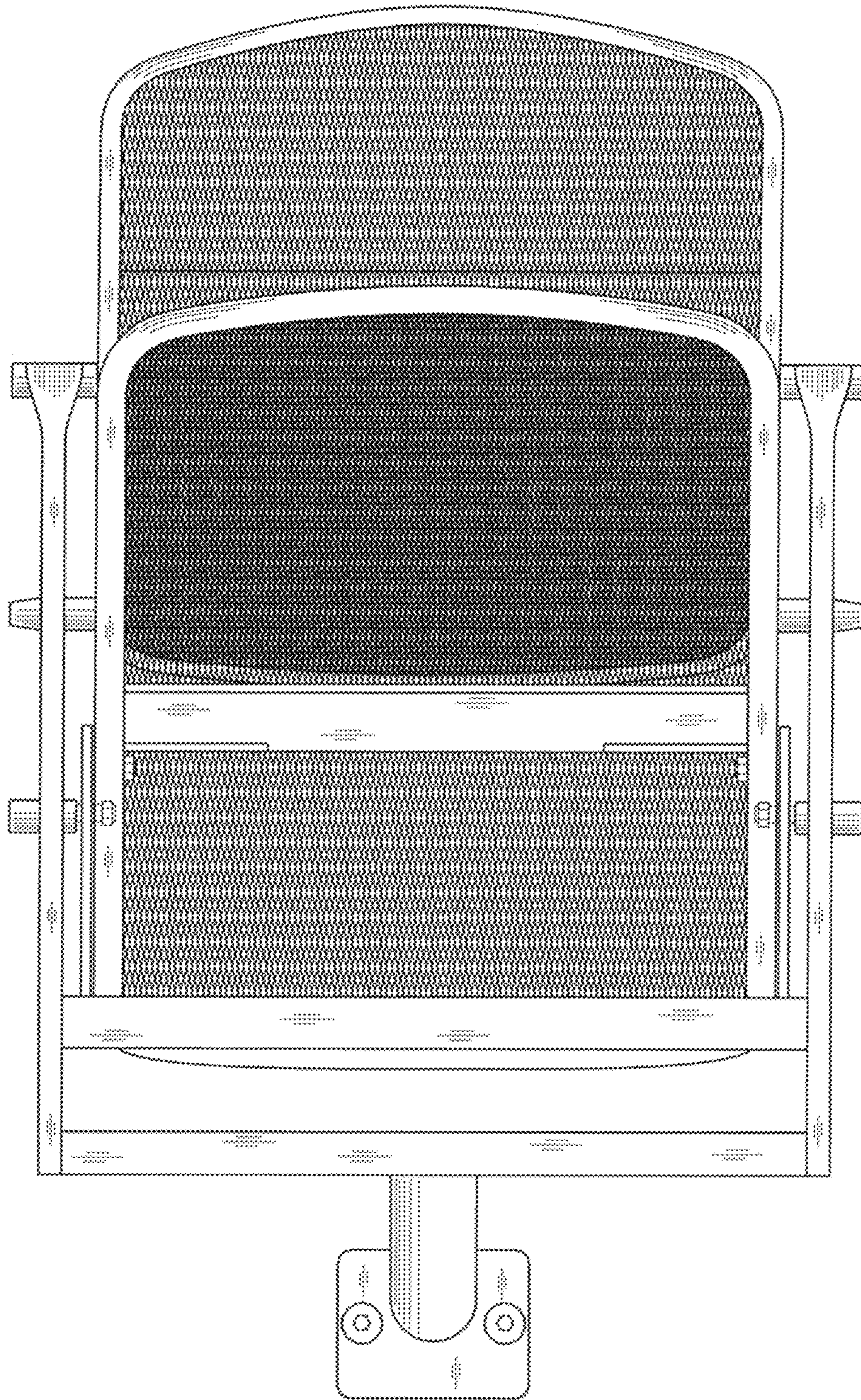


FIG. 3

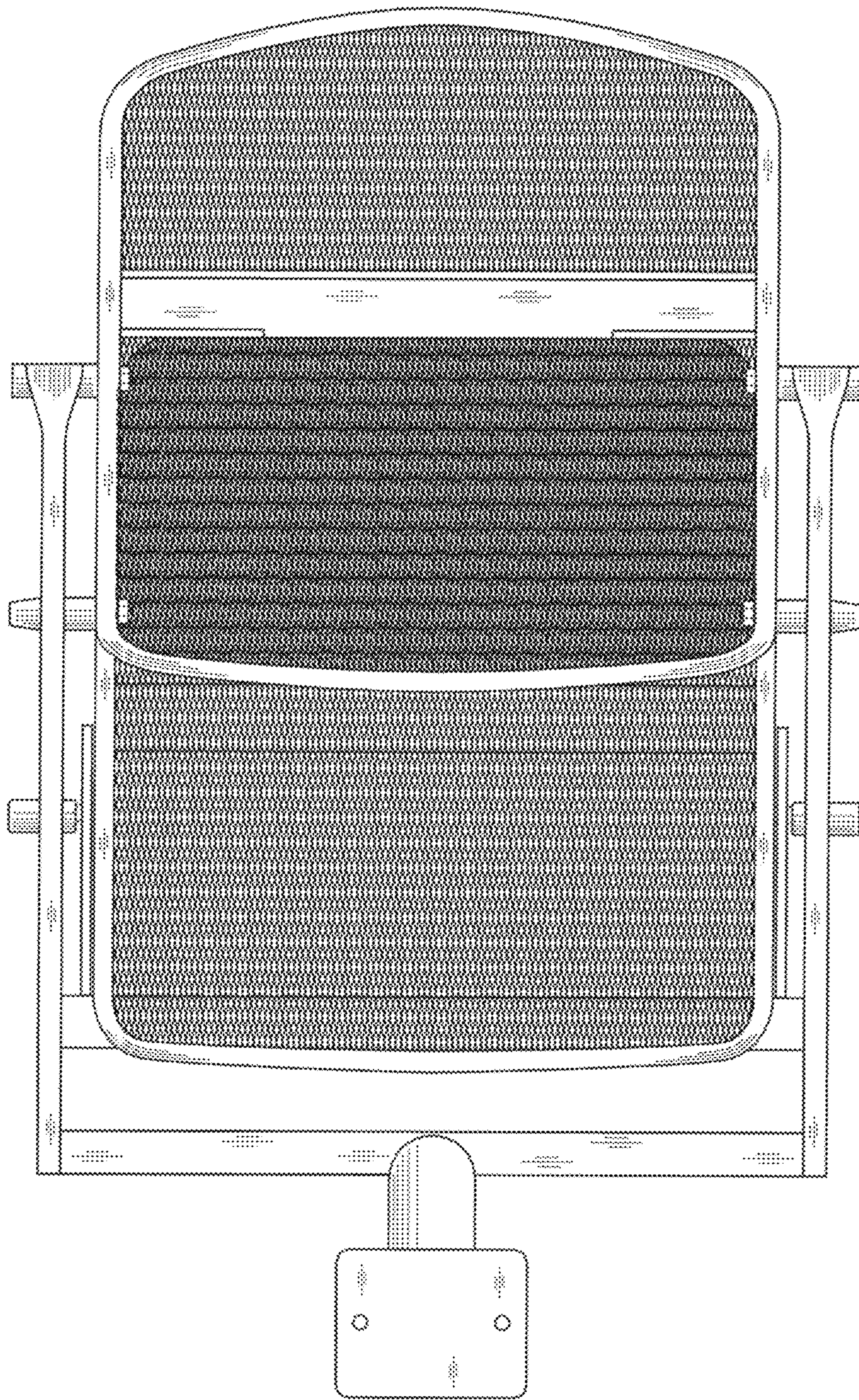


FIG. 4