



US00D808673S

(12) **United States Design Patent**
Brewer et al.

(10) **Patent No.:** **US D808,673 S**
(45) **Date of Patent:** **** Jan. 30, 2018**

- (54) **STOOL**
- (71) Applicants: **Mike Brewer**, Parker, CO (US);
Robert Wilcox, Broomfield, CO (US)
- (72) Inventors: **Mike Brewer**, Parker, CO (US);
Robert Wilcox, Broomfield, CO (US)
- (**) Term: **15 Years**
- (21) Appl. No.: **29/586,076**
- (22) Filed: **Nov. 30, 2016**
- (51) **LOC (11) Cl.** **06-01**
- (52) **U.S. Cl.**
USPC **D6/349**; D34/23
- (58) **Field of Classification Search**
USPC D6/334-336, 349-355, 358, 360-368,
D6/371-374, 403, 405, 406.3, 601, 604,
D6/657, 675.4, 684, 685, 688.17, 690,
D6/691-691.9, 692-692.6, 693-693.3,
D6/695, 707.2, 708, 708.2,
D6/708.15-708.25, 709.11, 716-716.3;
D25/62-65; D34/17, 19, 23
CPC A47C 9/02; A47C 9/007; A47C 9/027;
A47C 7/002; A47C 7/18; A47C 16/02;
A47C 16/04; A47C 3/18; A47C 12/00;
A47C 13/00; A47B 7/00; A47B 7/02;
A47B 9/00; A47B 13/02; A47B 23/00;
A47B 39/00
See application file for complete search history.

- 6,010,187 A * 1/2000 Dallas A47C 7/62
108/94
- D463,143 S * 9/2002 Riddle D6/336
- D466,668 S * 12/2002 Peschmann D34/23
- D511,416 S * 11/2005 Obbitts D34/23
- 7,086,702 B1 * 8/2006 Hurt A47C 7/503
280/32.5
- D530,108 S * 10/2006 Whiteside D6/349
- D531,423 S * 11/2006 Whiteside D6/367
- D555,920 S * 11/2007 Whiteside D6/349
- D579,679 S * 11/2008 Qian D6/349
- 7,658,442 B1 * 2/2010 Whiteside A47C 7/62
297/188.01

(Continued)

OTHER PUBLICATIONS

Craftsman Mechanic's Creeper Seat. [online] Published on Feb. 16, 2017. Retrieved Sep. 6, 2017 from URL:<http://www.sears.com/craftsman-mechanic-s-creeper-seat/p-00934521000P>.*

(Continued)

Primary Examiner — Vy N Koenig
(74) *Attorney, Agent, or Firm* — Lewis Brisbois Bisgaard & Smith LLP

(57) **CLAIM**

The ornamental design for a stool, as shown and described.

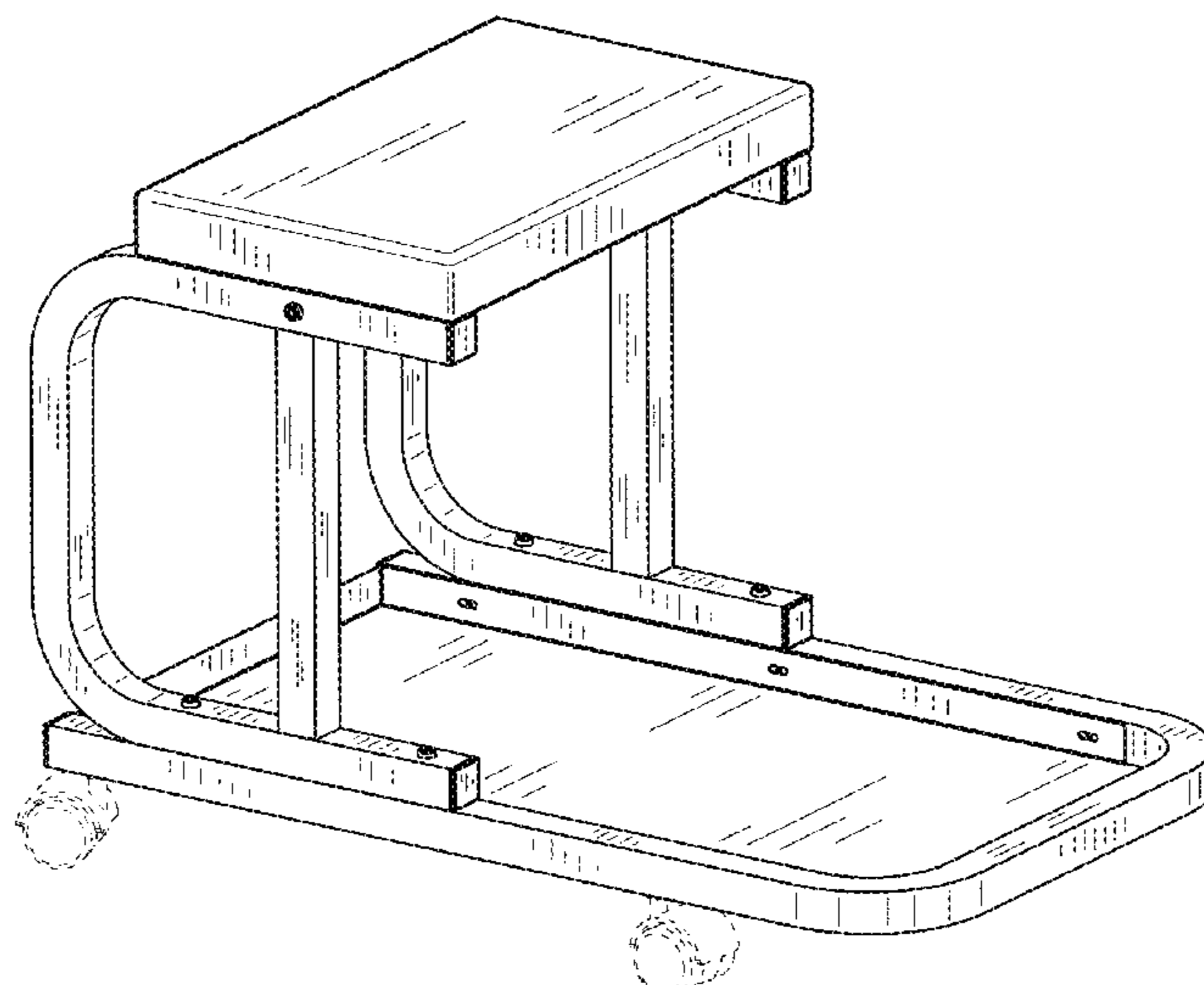
DESCRIPTION

FIG. 1 is a perspective view of the stool showing the new design;
FIG. 2 is a front elevation view thereof;
FIG. 3 is a rear elevation view thereof;
FIG. 4 is a right elevation view thereof;
FIG. 5 is a left elevation view thereof;
FIG. 6 is a top plan view thereof; and,
FIG. 7 is a bottom plan view thereof.
The broken lines depict environment and form no part of the claimed design.

1 Claim, 7 Drawing Sheets

(56) **References Cited**
U.S. PATENT DOCUMENTS

- D247,035 S * 1/1978 Brodmann D14/224
- D299,601 S * 1/1989 Campbell 6/406.2
- D303,309 S * 9/1989 Pulda, Jr. 34/17
- D399,626 S * 10/1998 Taylor D34/23
- D401,426 S * 11/1998 Hu D6/349
- D410,128 S * 5/1999 Dallas D34/23
- D412,045 S * 7/1999 Yuan D34/23



(56)

References Cited

U.S. PATENT DOCUMENTS

D625,526 S * 10/2010 Liuhong D6/335

OTHER PUBLICATIONS

WEN 250-Pound Capacity Rolling Mechanic Seat. [online] Published on Jun. 9, 2017. Retrieved Sep. 6, 2017 from URL:<http://www.sears.com/wen-250-pound-capacity-rolling-mechanic-seat-with/p-00910329000P?rrec=true>.*

Mechanic's Roller Shop Stool. [online] Published on Mar. 7, 2016. Retrieved Sep. 6, 2017 from URL:<https://www.oreillyauto.com/detail/acdelco-2734/tools---equipment-16488/shop-equipment-16634/shop-stools-17330/mechanic-s-roller-shop-stool/34803/2494217>.*

* cited by examiner

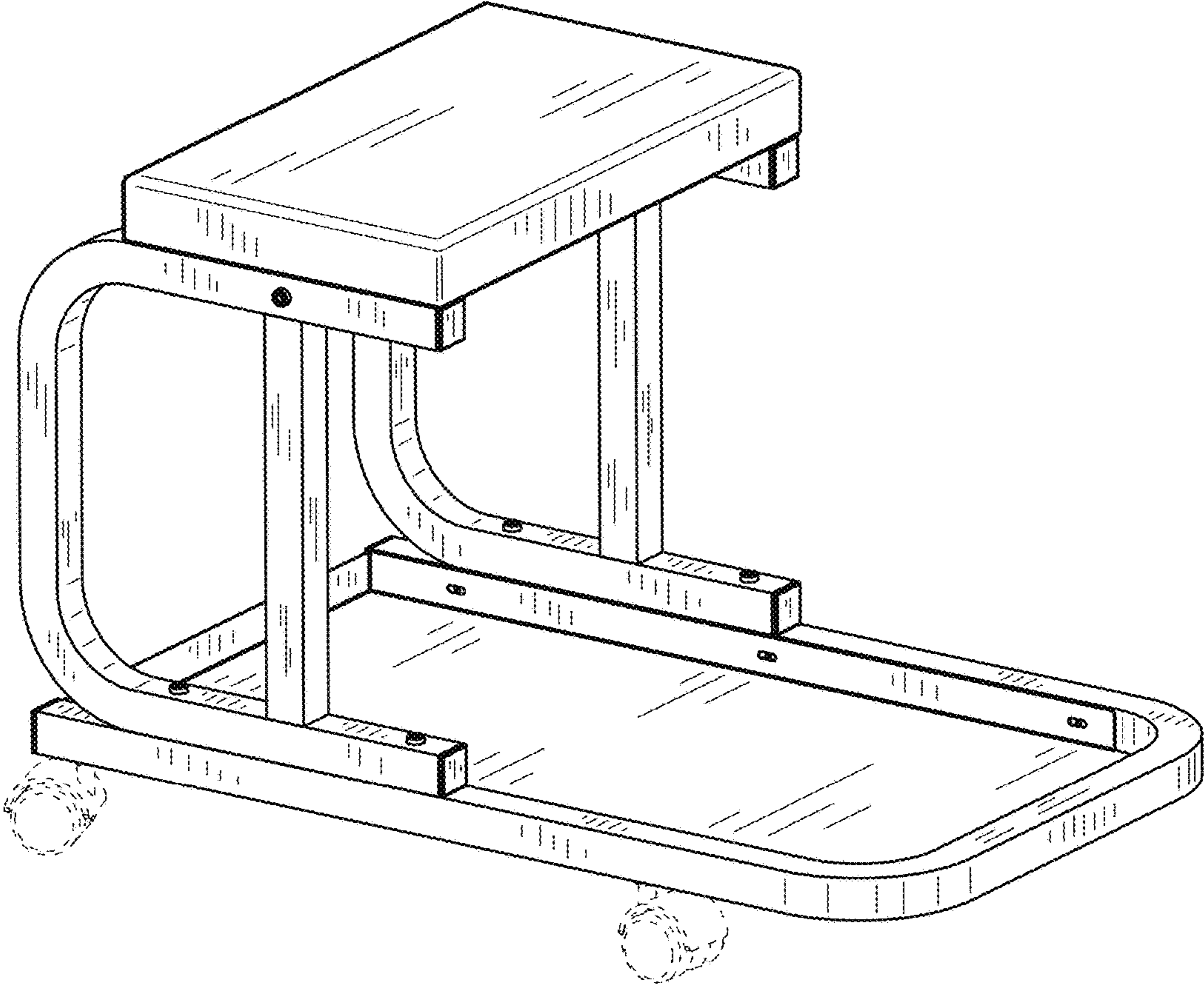


FIG.1

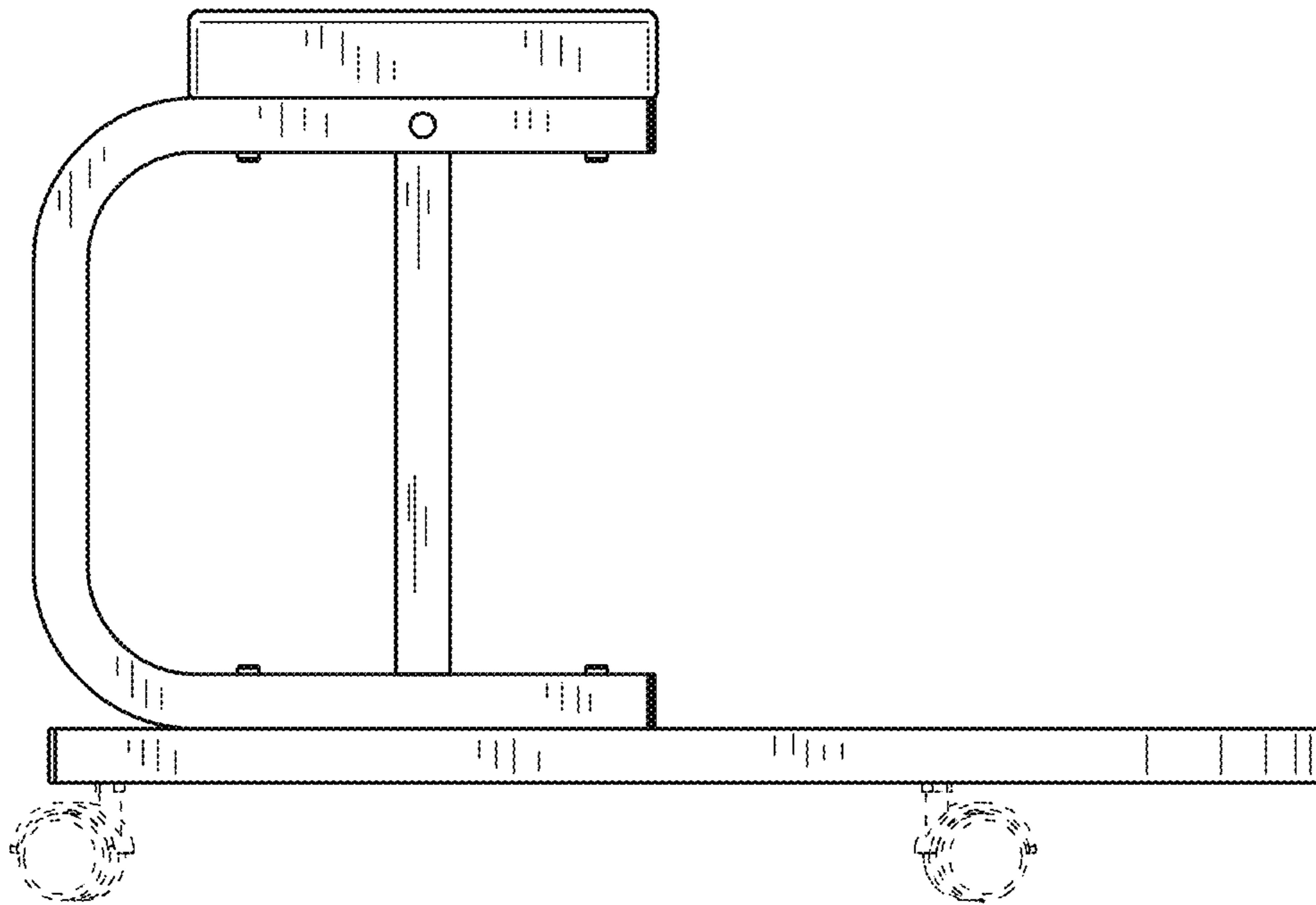


FIG.2

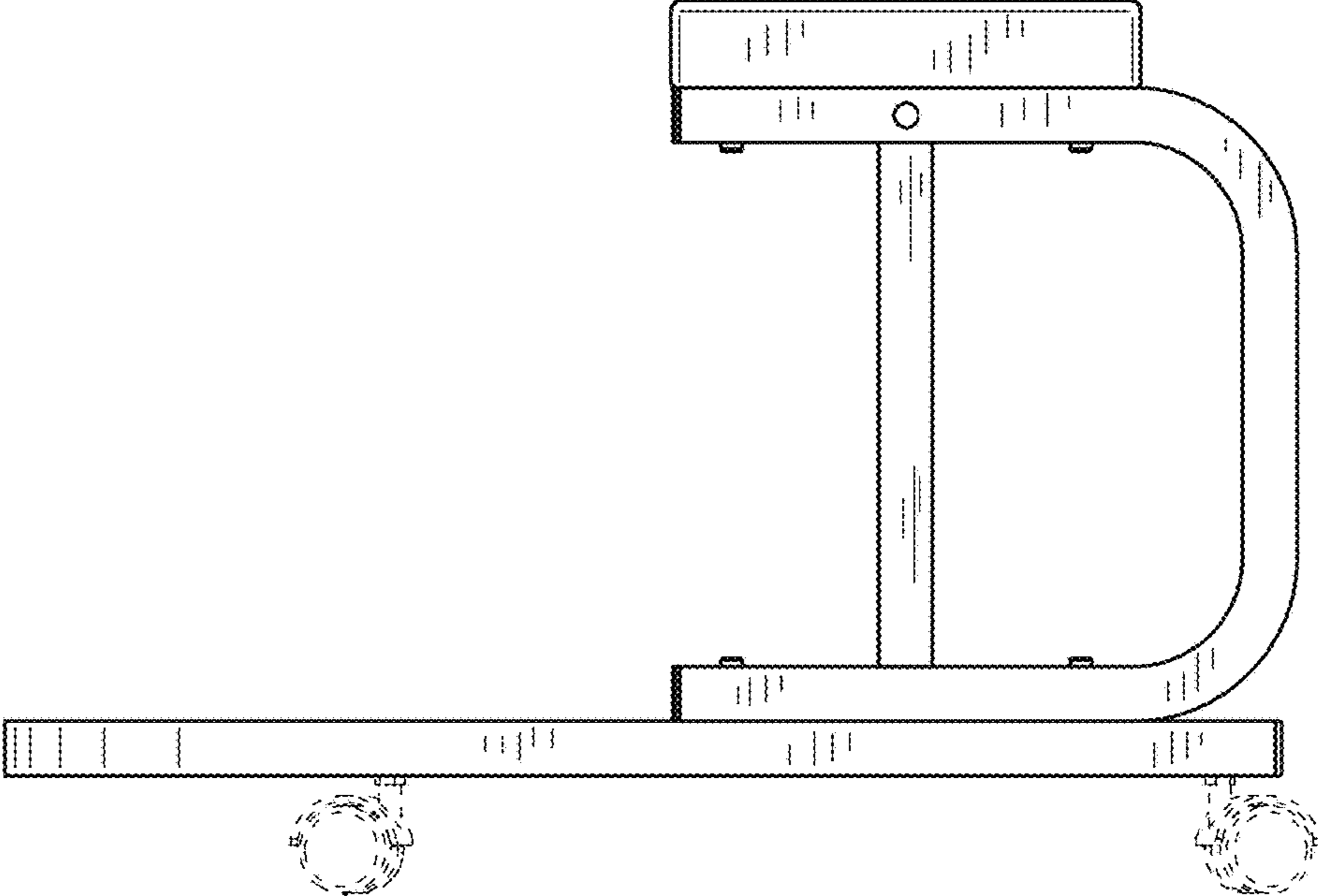


FIG.3

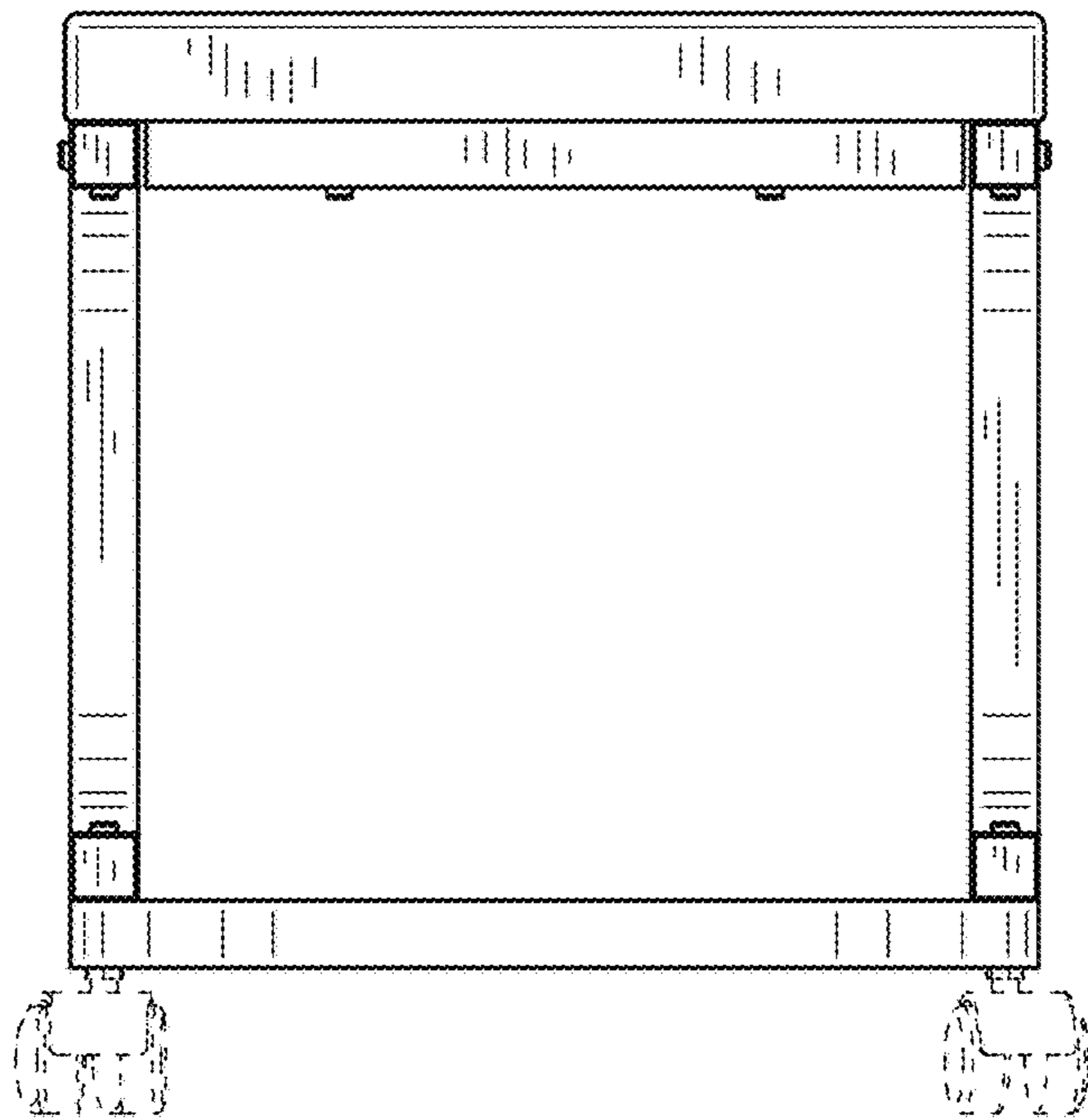


FIG.4

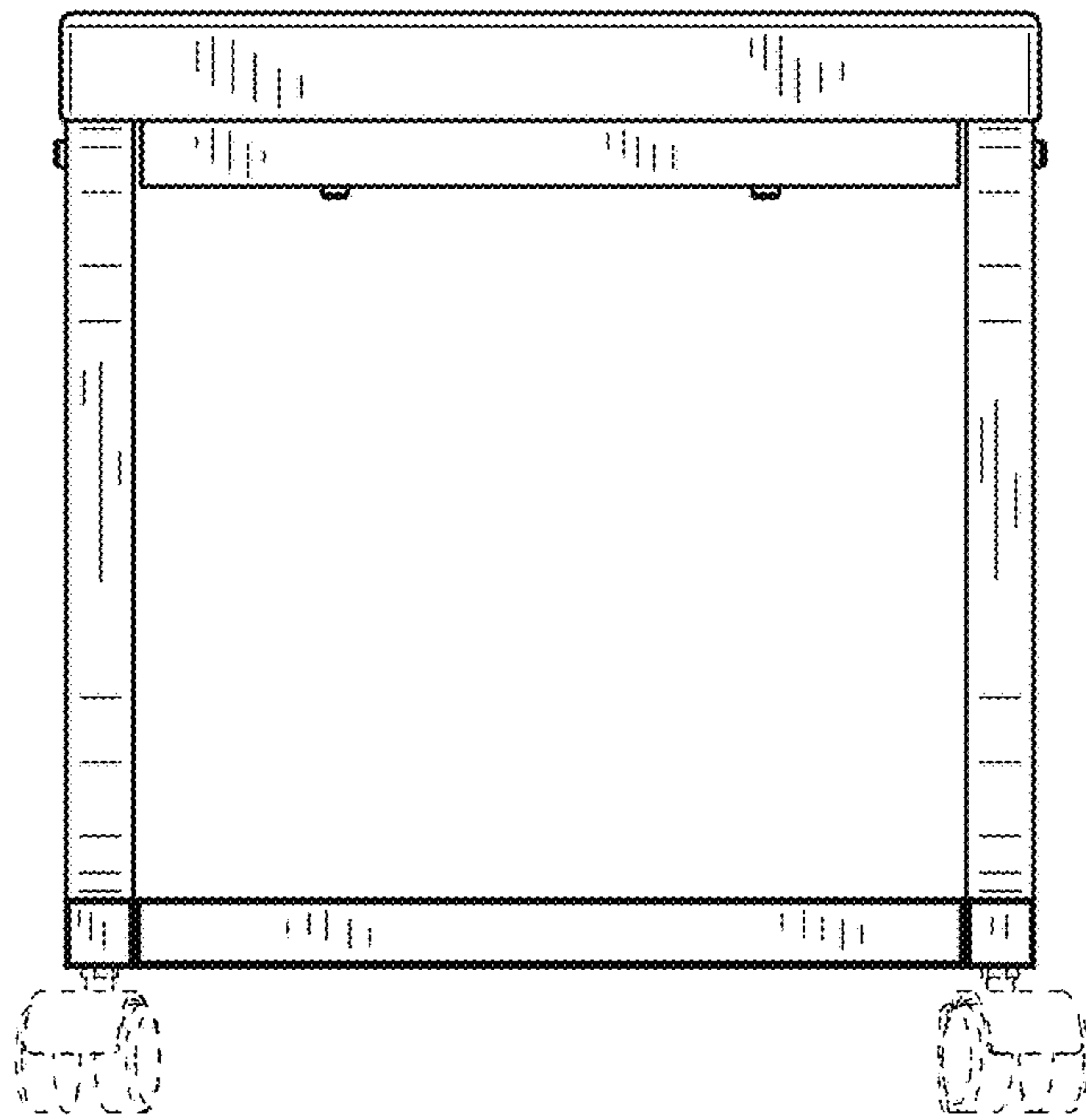


FIG. 5

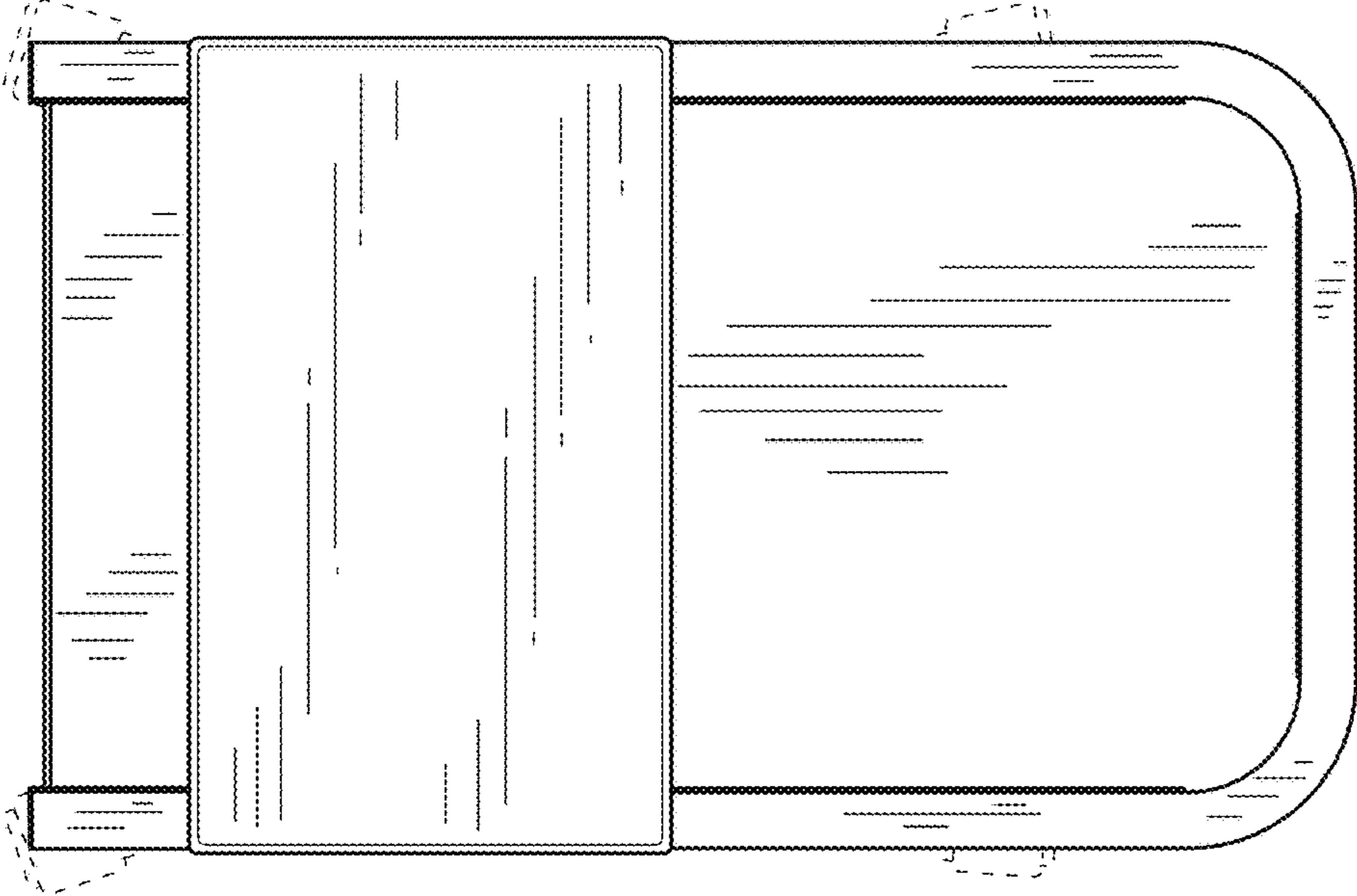


FIG.6

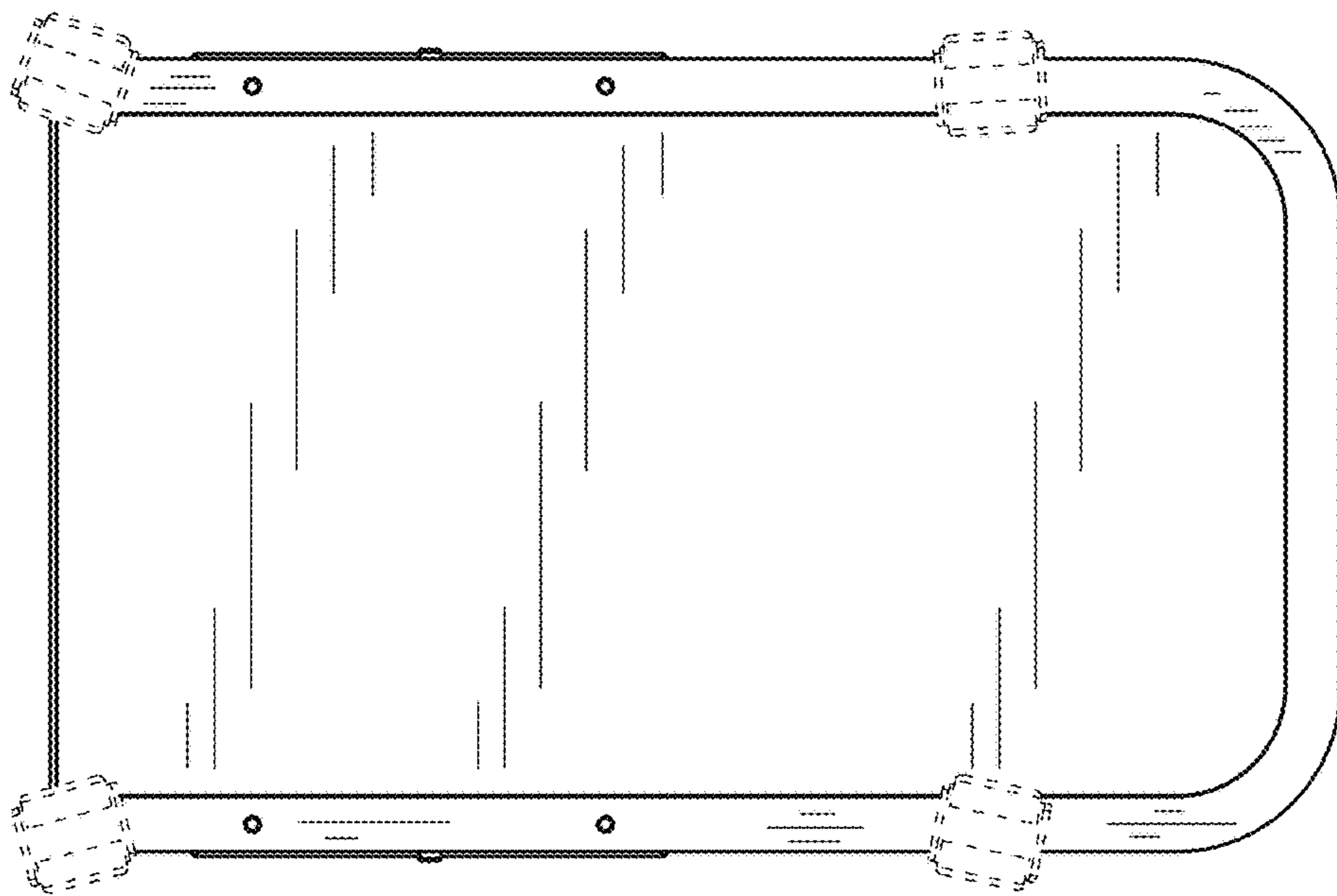


FIG.7