



US00D808672S

(12) **United States Design Patent** (10) **Patent No.:** **US D808,672 S**  
**Goetz** (45) **Date of Patent:** **\*\* Jan. 30, 2018**

(54) **FOOT SUPPORT**  
(71) Applicant: **Anne Goetz**, Saint Paul, MN (US)  
(72) Inventor: **Anne Goetz**, Saint Paul, MN (US)  
(\*\*) Term: **15 Years**  
(21) Appl. No.: **29/581,112**  
(22) Filed: **Oct. 17, 2016**  
(51) **LOC (11) Cl.** ..... **06-01**  
(52) **U.S. Cl.**  
USPC ..... **D6/349**  
(58) **Field of Classification Search**  
USPC ..... D6/334, 349-355, 358, 360-368,  
D6/371-374, 403, 405, 406.3, 601, 604,  
D6/657, 675.4, 685, 688.17, 690,  
D6/691-691.9, 692-692.6, 693-693.3,  
D6/695, 707.2, 708, 708.2,  
D6/708.15-708.25, 709.11, 716-716.3;  
D25/62-65  
CPC ..... A47C 9/02; A47C 9/007; A47C 9/027;  
A47C 7/002; A47C 7/18; A47C 16/02;  
A47C 16/04; A47C 3/18; A47C 3/203;  
A47C 12/00; A47C 13/00; A47B 7/00;  
A47B 7/02; A47B 9/00; A47B 13/02;  
A47B 23/00; A47B 39/00  
See application file for complete search history.

D337,211 S \* 7/1993 Bergkvist ..... D6/349  
D355,315 S \* 2/1995 Walters ..... D6/691.3  
D367,967 S \* 3/1996 Calmeise ..... D6/336  
D376,281 S \* 12/1996 Robertson ..... D6/349  
D449,386 S \* 10/2001 Cheris ..... D25/65  
D462,204 S \* 9/2002 Ross ..... D6/690  
D705,554 S \* 5/2014 Edwards ..... D6/349  
D725,948 S \* 4/2015 Kim ..... D6/690  
D779,585 S \* 2/2017 Dedrick ..... D17/20  
2008/0093167 A1 \* 4/2008 Saunders ..... A47C 12/00  
182/33  
2015/0359390 A1 12/2015 Goetz

**OTHER PUBLICATIONS**

Arched Seat. [online] Published on Sep. 11, 2015. Retrieved Sep. 5, 2017 from URL: <https://www.trendhunter.com/trends/arched-seat>.\*

\* cited by examiner

*Primary Examiner* — Vy N Koenig  
(74) *Attorney, Agent, or Firm* — Antonio Papageorgiou Esq.; Meister Seelig & Fein LLP

(57) **CLAIM**

I claim the ornamental design for a foot support, as shown.

**DESCRIPTION**

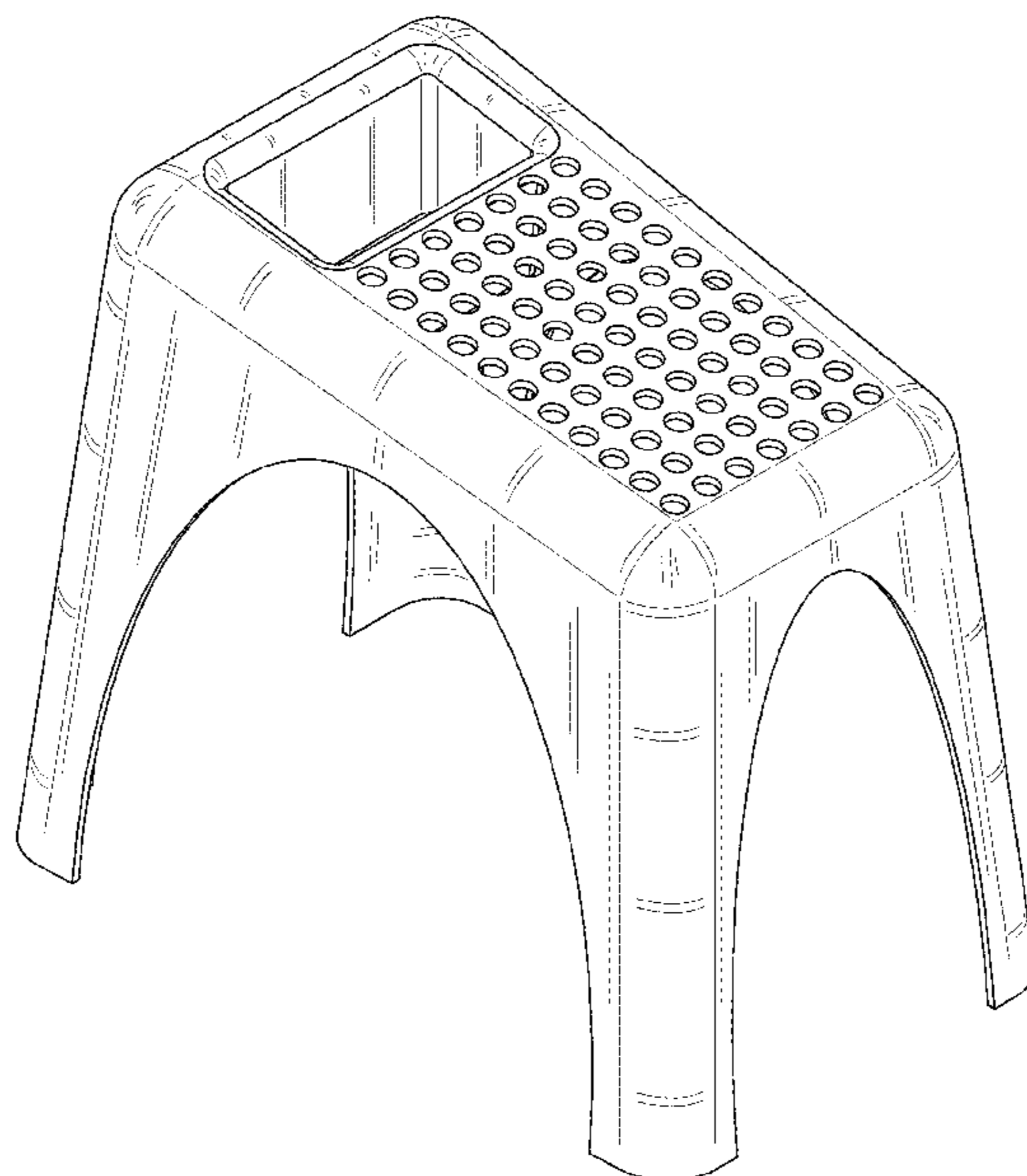
FIG. 1 is a front, left and top perspective view of the foot support according to my new design;  
FIG. 2 is a front left and bottom perspective view thereof;  
FIG. 3 is a front elevation view thereof;  
FIG. 4 is a back elevation view thereof;  
FIG. 5 is a left side elevation view thereof;  
FIG. 6 is a right side elevation view thereof;  
FIG. 7 is a top plan view thereof; and,  
FIG. 8 is a bottom plan view thereof.

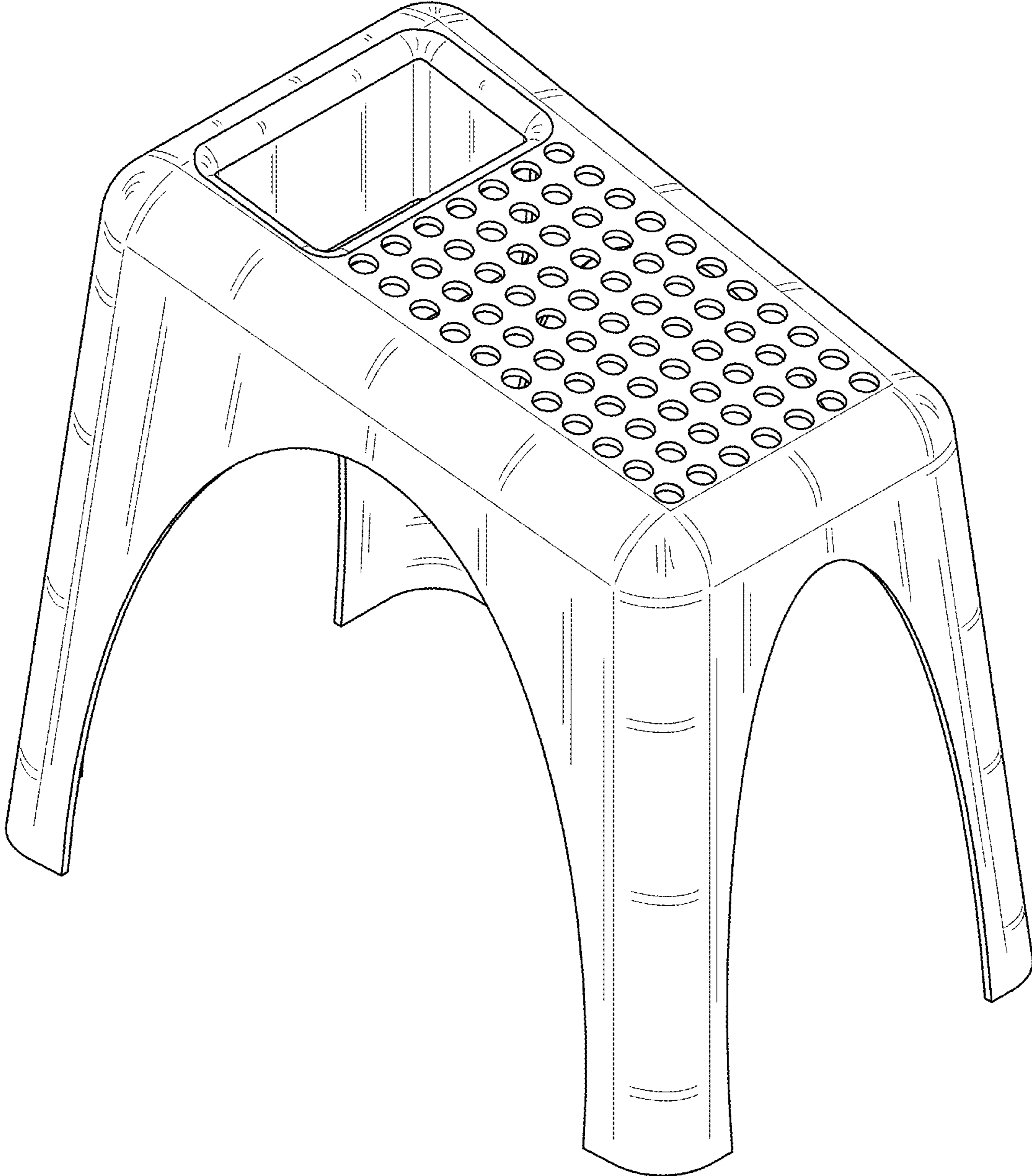
**1 Claim, 8 Drawing Sheets**

(56) **References Cited**

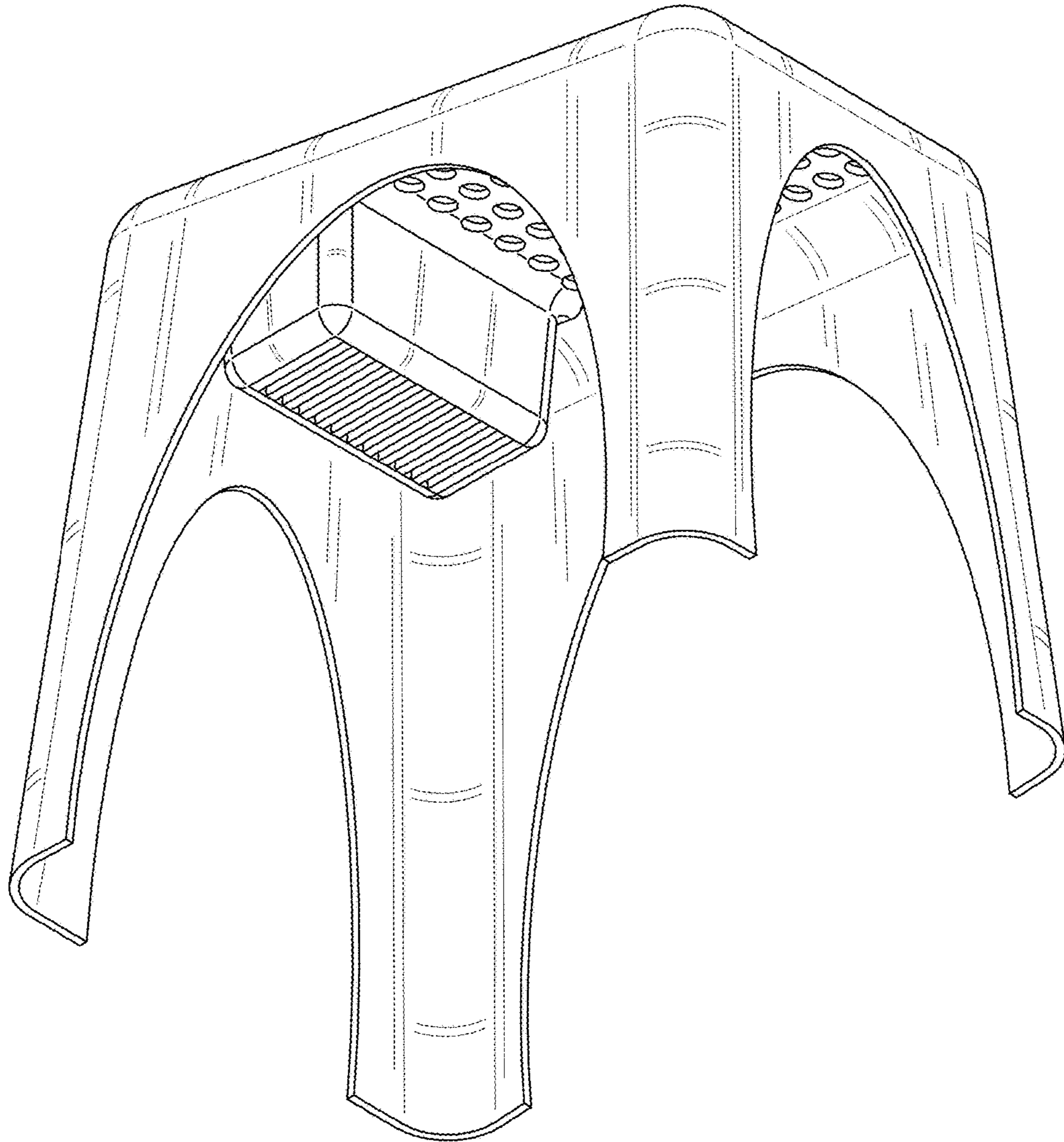
**U.S. PATENT DOCUMENTS**

D214,316 S \* 6/1969 Dukes ..... D6/354  
D224,494 S \* 8/1972 Kerman ..... D6/691.8  
D230,452 S \* 2/1974 Jennings ..... D6/708  
D271,256 S \* 11/1983 McClelland ..... D6/349  
D276,669 S \* 12/1984 Petersson ..... D6/335  
D276,861 S \* 12/1984 Keddie ..... D3/315

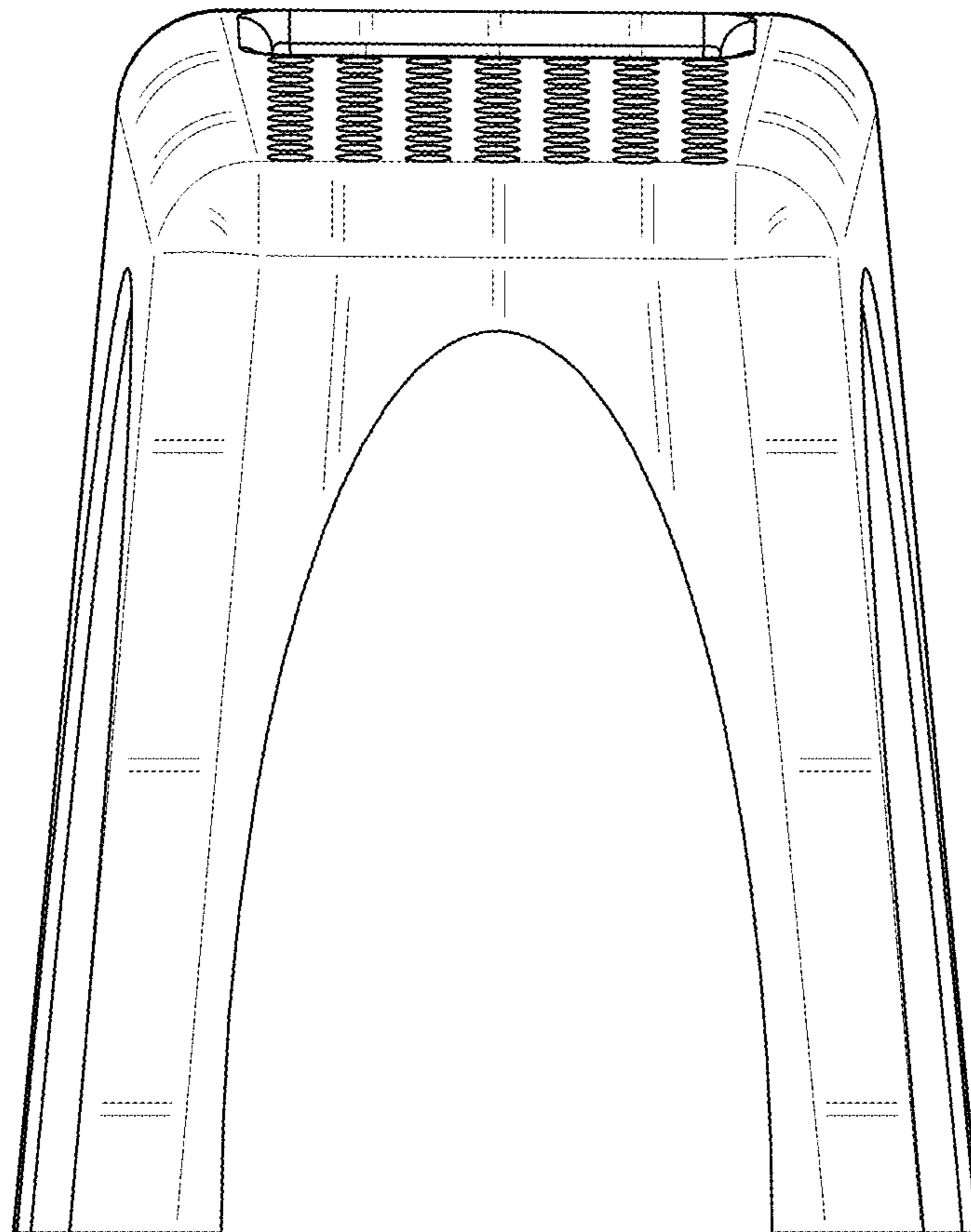




**FIG. 1**

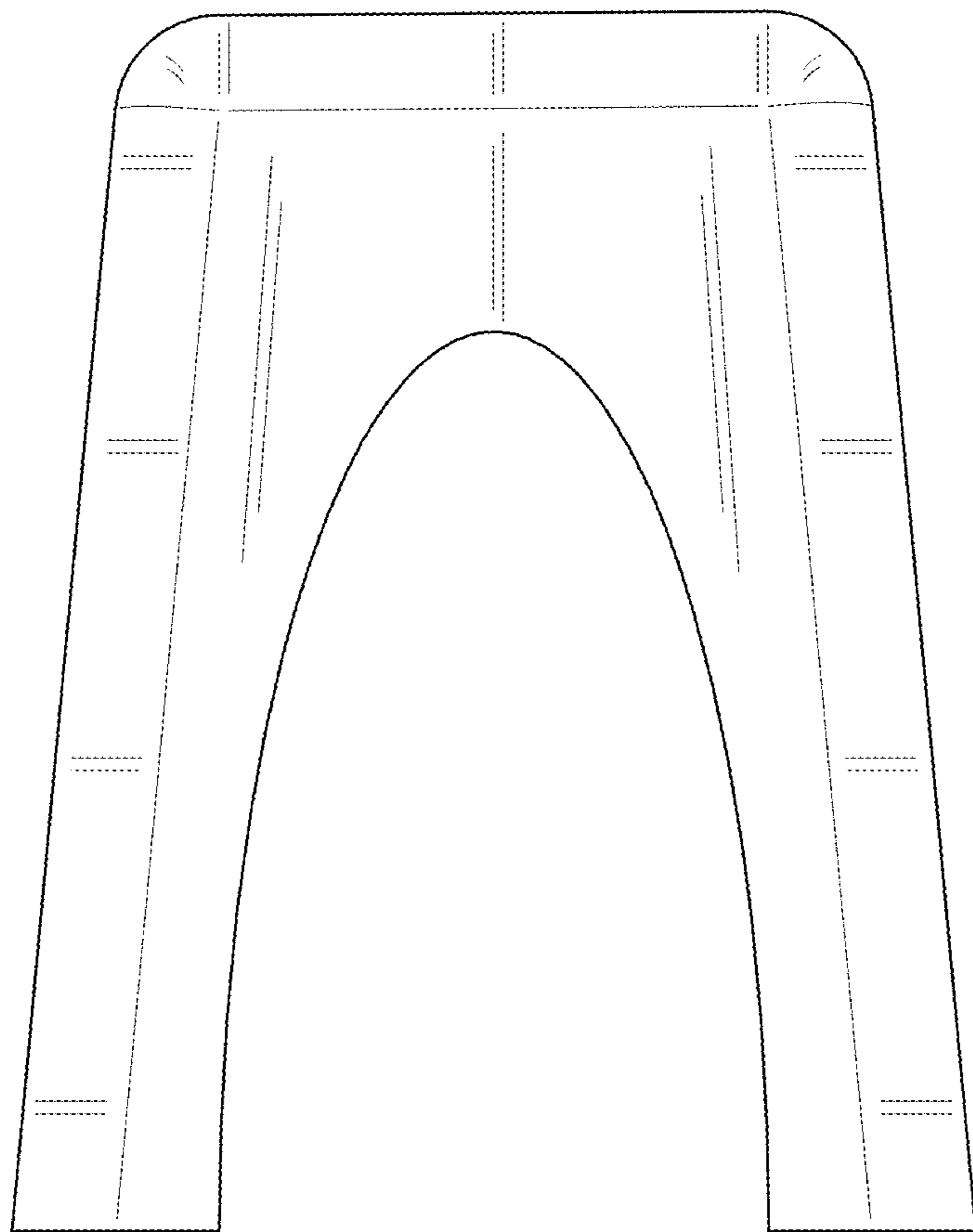


**FIG. 2**

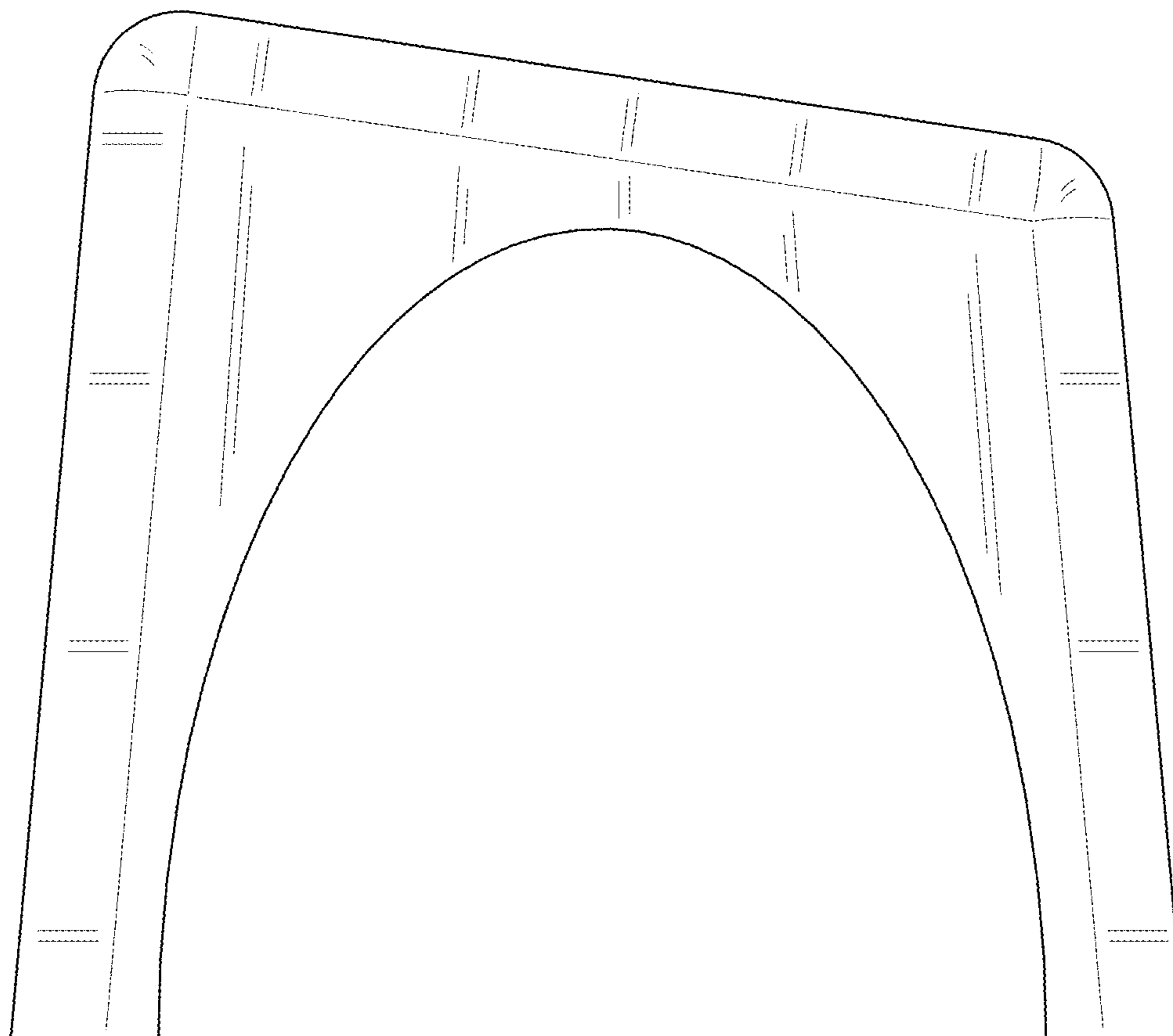


**FIG. 3**

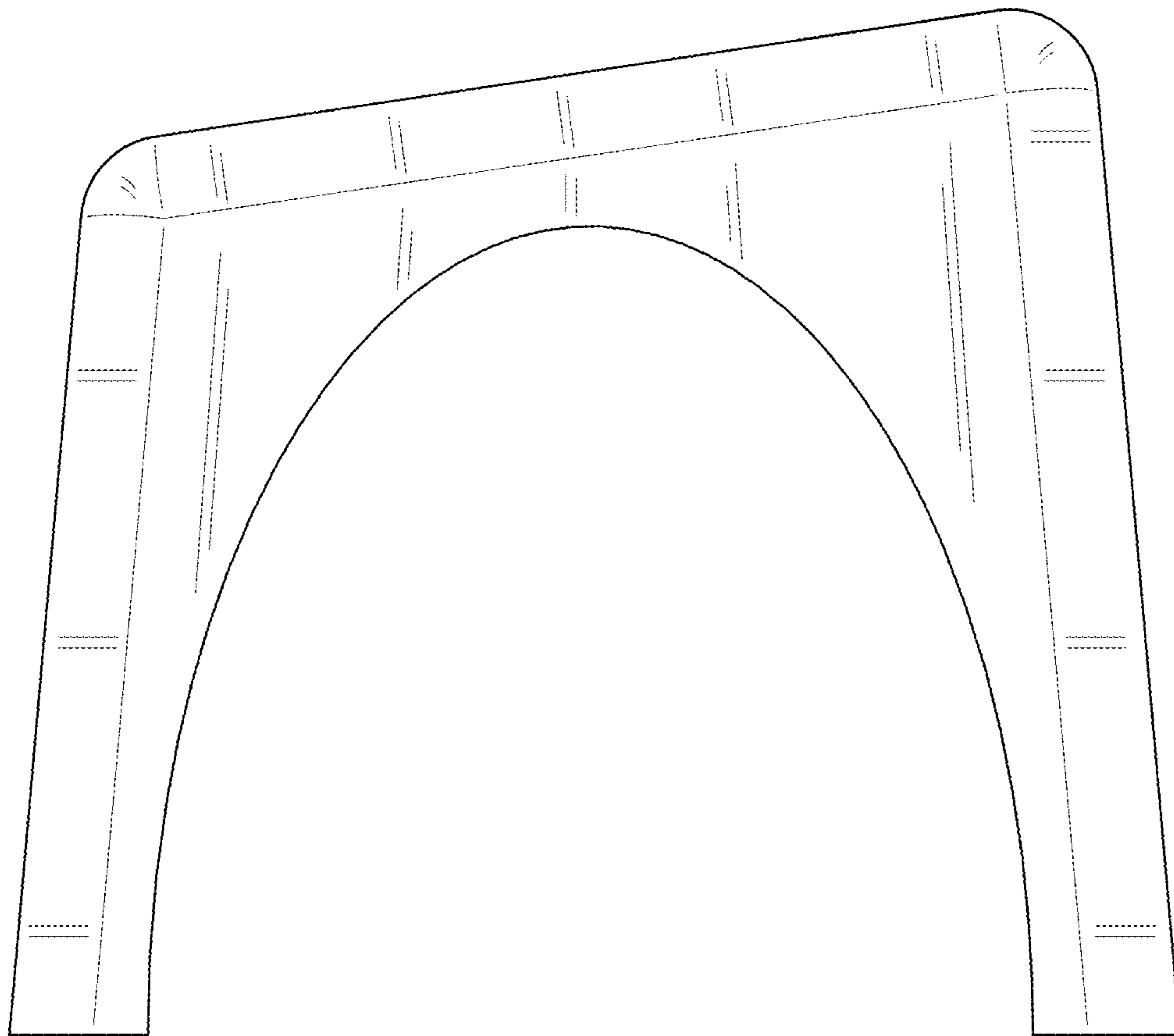




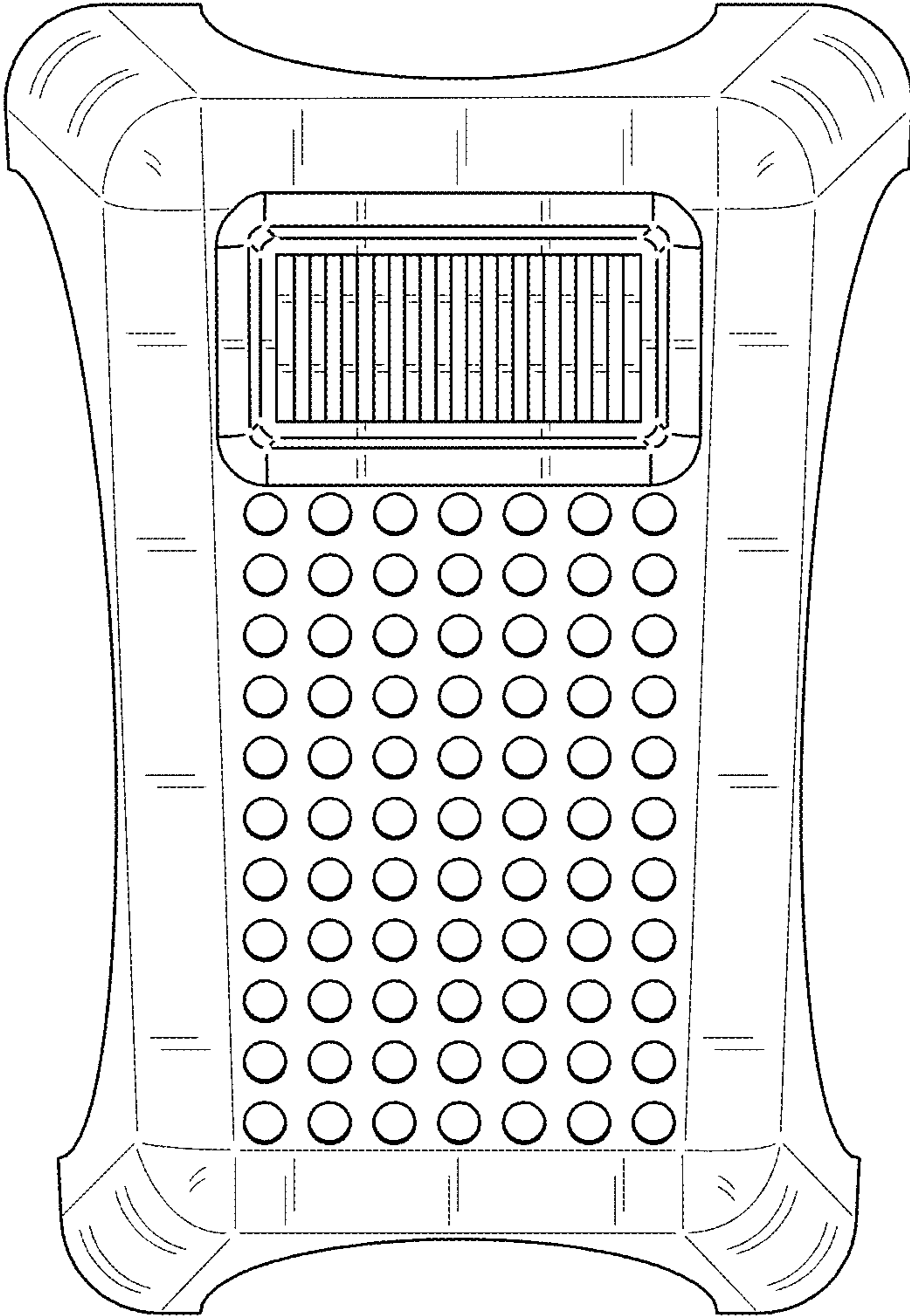
**FIG. 4**



**FIG. 5**

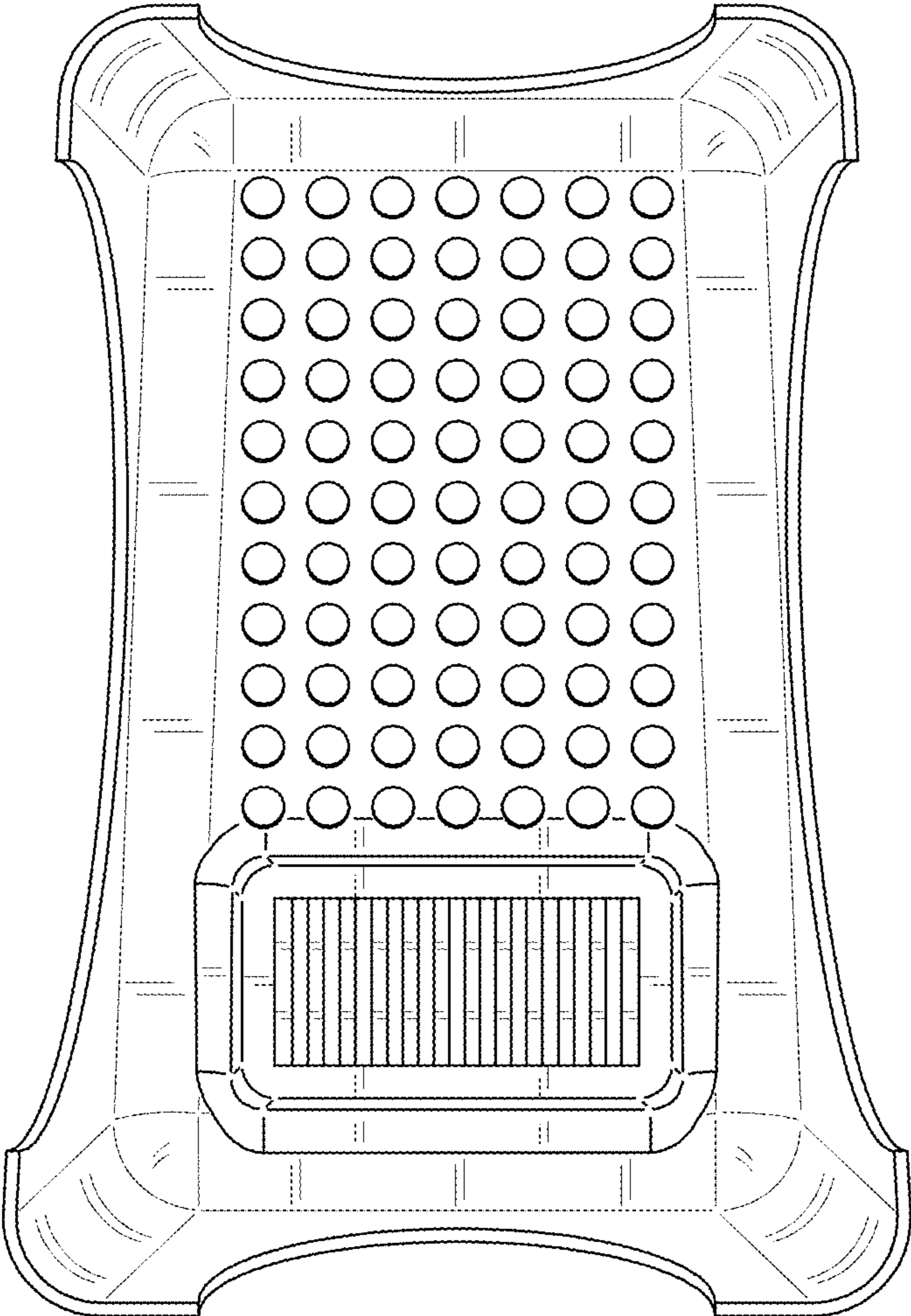


**FIG. 6**



**FIG. 7**





**FIG. 8**