



US00D808669S

(12) **United States Design Patent**
Li

(10) **Patent No.:** **US D808,669 S**

(45) **Date of Patent:** **** Jan. 30, 2018**

(54) **CHAIR**

(71) Applicant: **Homy Casa Limited**, Guangzhou,
Guangdong (CN)

(72) Inventor: **Yuehai Li**, Guangdong (CN)

(73) Assignee: **Homy Casa Limited**, Guangzhou (CN)

(**) Term: **15 Years**

(21) Appl. No.: **29/592,019**

(22) Filed: **Jan. 25, 2017**

(51) **LOC (11) Cl.** **06-01**

(52) **U.S. Cl.**
USPC **D6/334**

(58) **Field of Classification Search**
USPC D6/334-336, 366, 371, 372, 373, 374,
D6/375, 376, 716, 716.1, 716.4
CPC A47C 3/04; A47C 3/12; A47C 4/02; A47C
4/03; A47C 5/12; A47C 7/16
See application file for complete search history.

(56) **References Cited**

U.S. PATENT DOCUMENTS

D192,029 S * 1/1962 Avedon 297/452.14
D471,729 S * 3/2003 Glass D6/375

D549,018 S * 8/2007 Glass D6/375
D566,979 S * 4/2008 Cox D6/375
D608,549 S * 1/2010 Novak D6/334
D670,099 S * 11/2012 Olivares D6/375
D729,538 S * 5/2015 Kotilainen D6/375
D742,153 S * 11/2015 Hui D6/375
D770,794 S * 11/2016 Hayon D6/375
D778,657 S * 2/2017 Morrison D6/373
D796,883 S * 9/2017 Mehaffey D6/375

* cited by examiner

Primary Examiner — Abraham Bahta

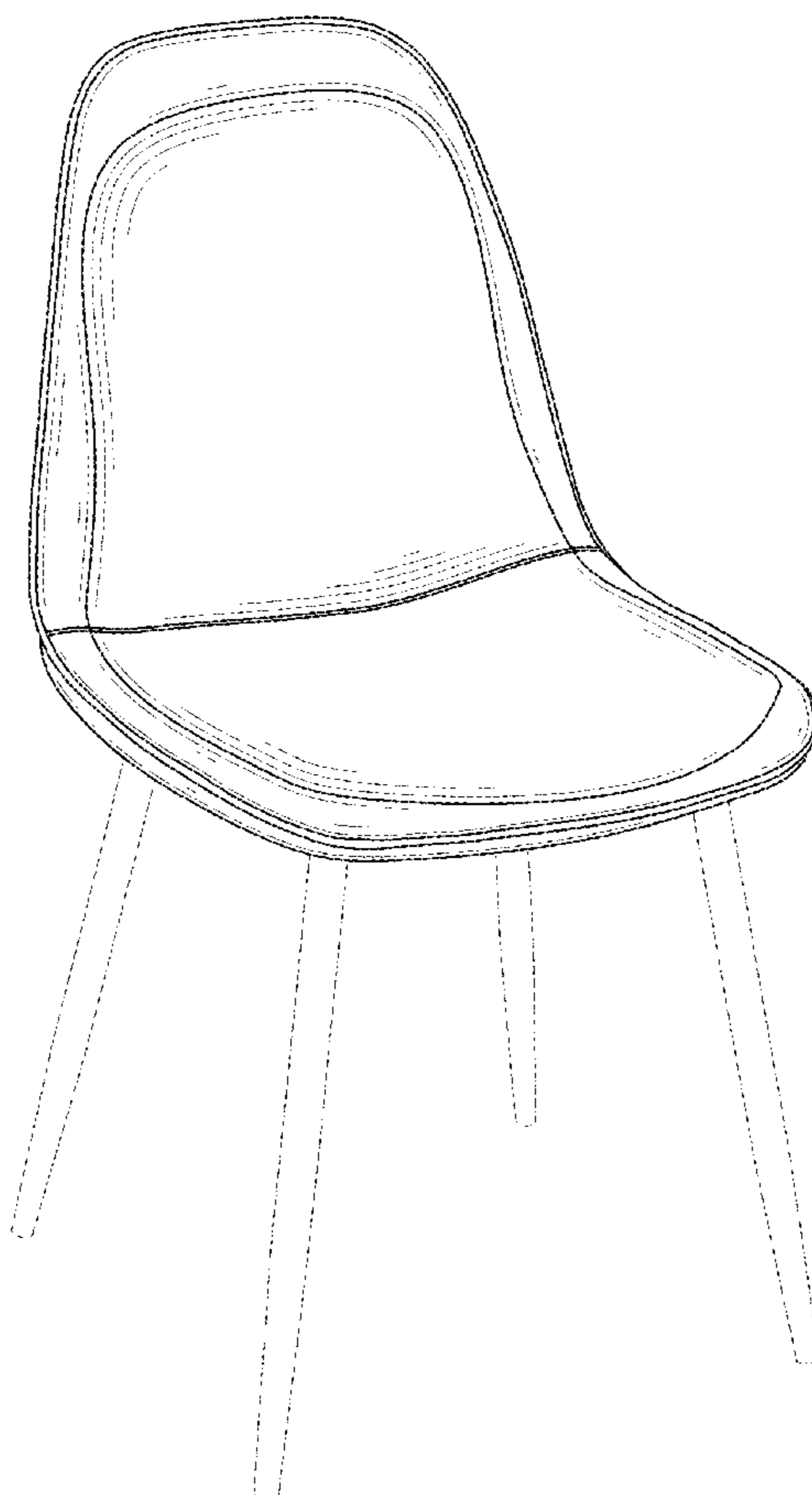
(57) **CLAIM**

The ornamental design for a chair, as shown and described.

DESCRIPTION

FIG. 1 is a front elevational view of a chair showing my new design;
FIG. 2 is a rear elevational view thereof;
FIG. 3 is a left side view thereof;
FIG. 4 is a right side view thereof;
FIG. 5 is a top plan view thereof;
FIG. 6 is a bottom plan view thereof;
FIG. 7 is a first perspective view thereof; and,
FIG. 8 is a second perspective view thereof.
The broken lines in the drawings illustrate portions of the chair which form no part of the claimed design.

1 Claim, 8 Drawing Sheets



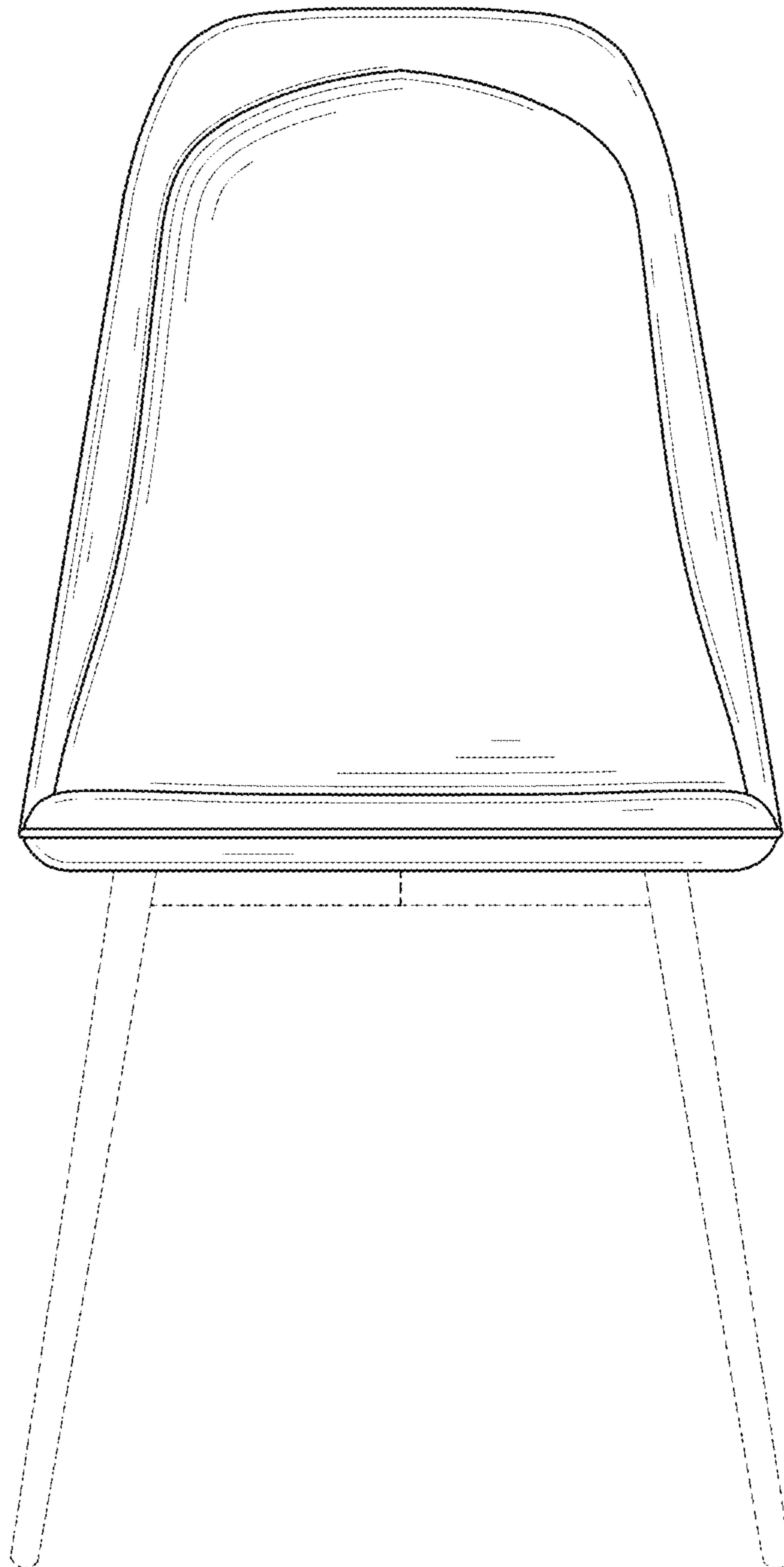


Fig. 1

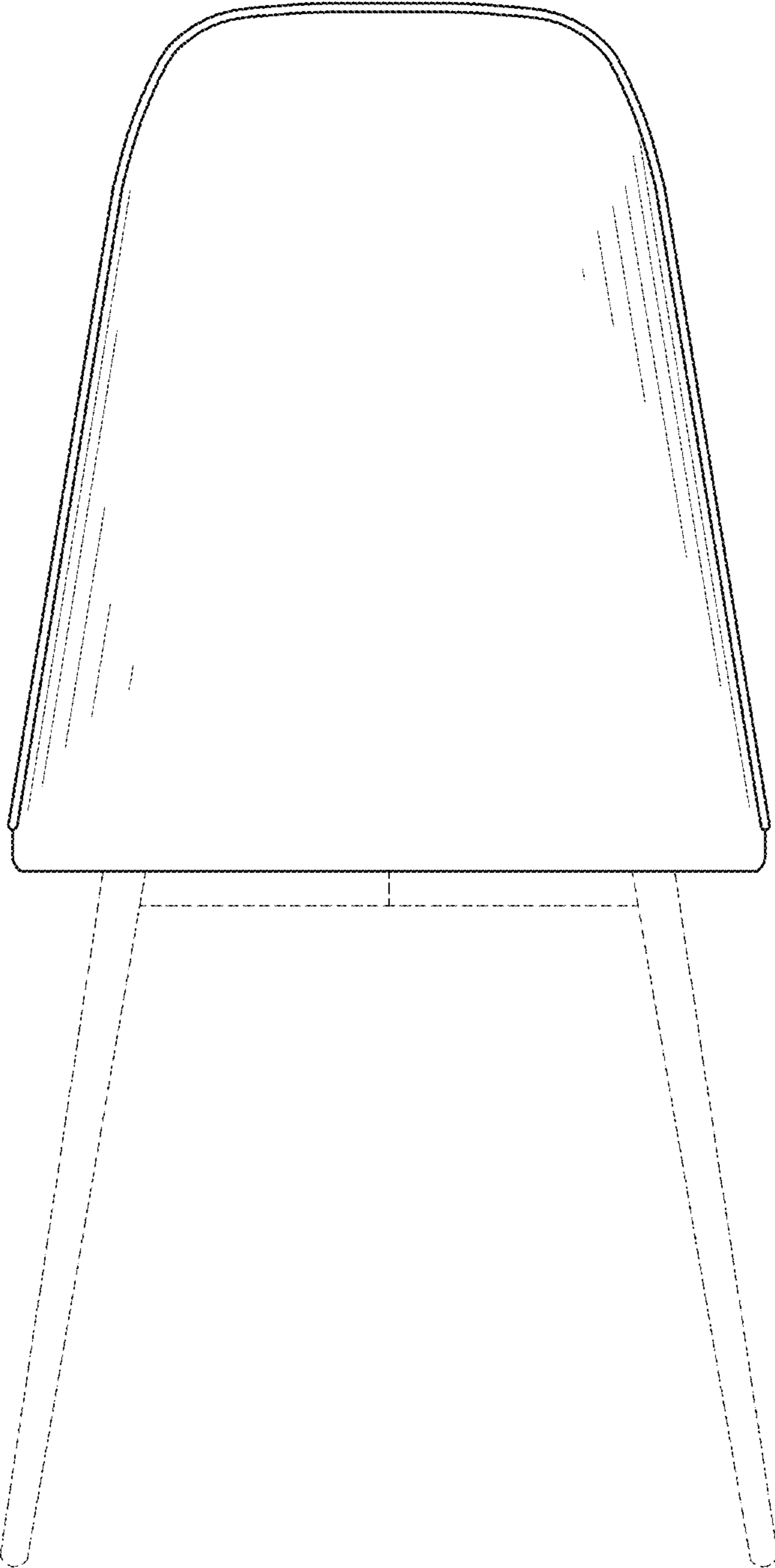


Fig. 2

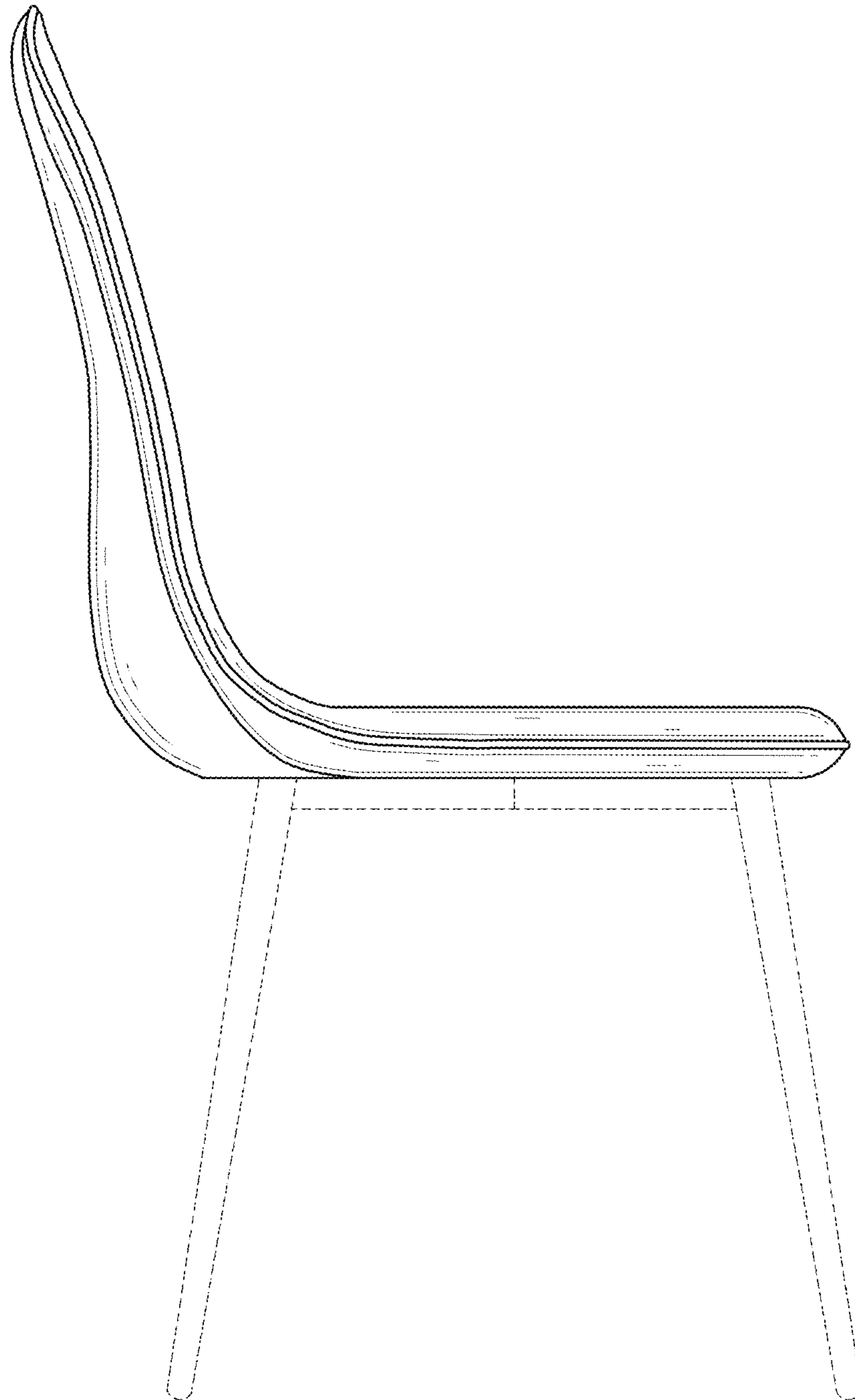


Fig. 3

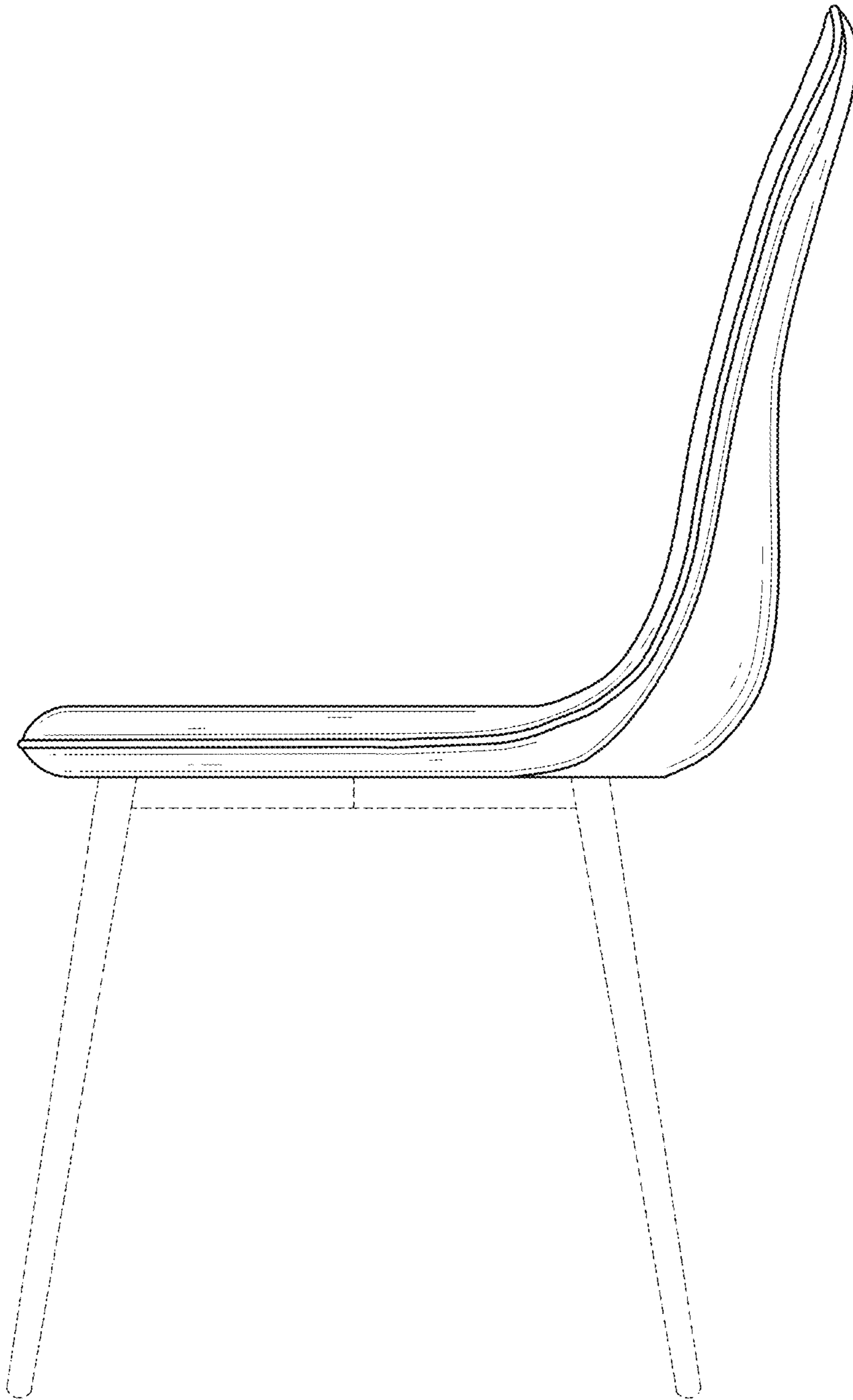


Fig. 4

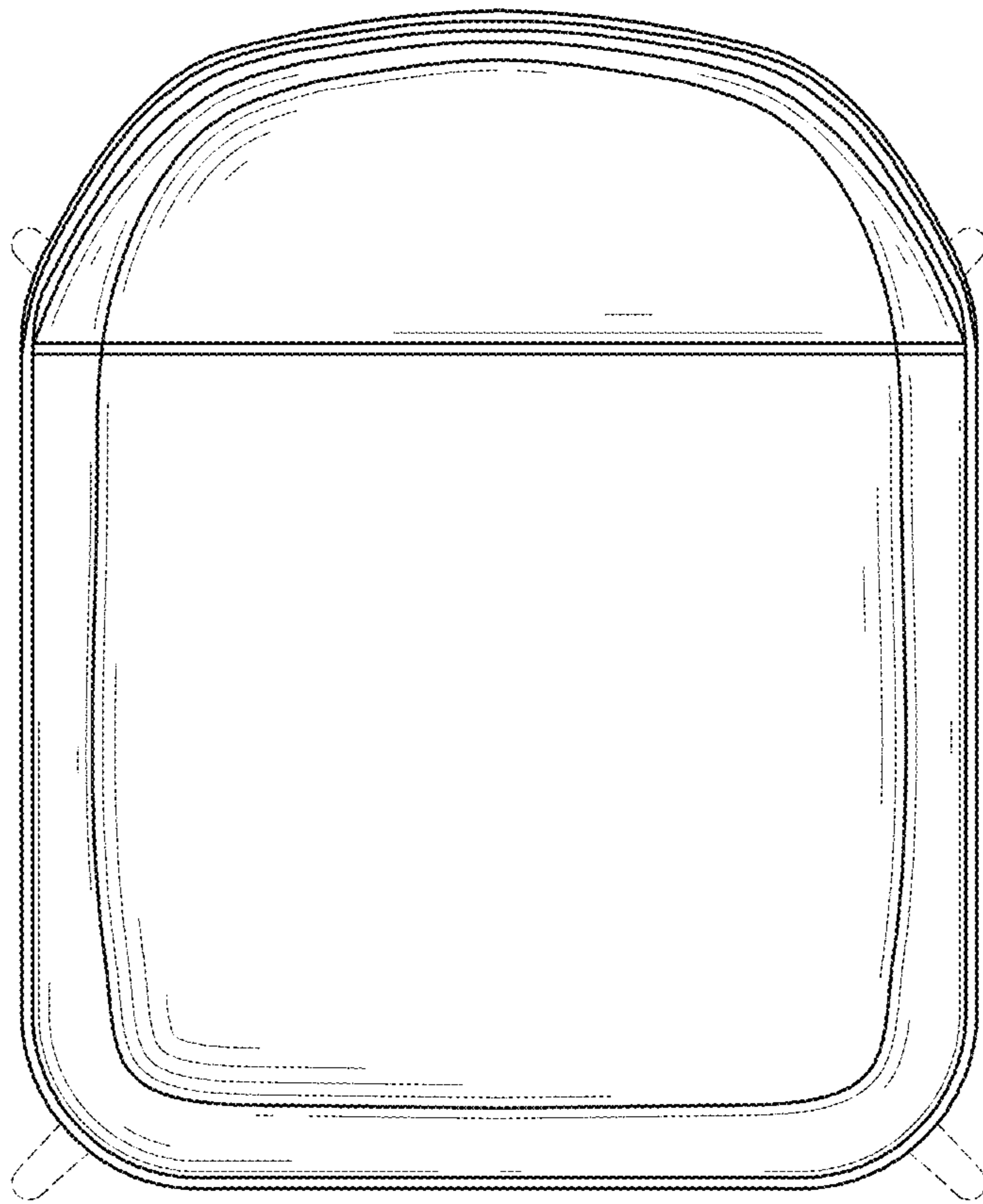


Fig. 5

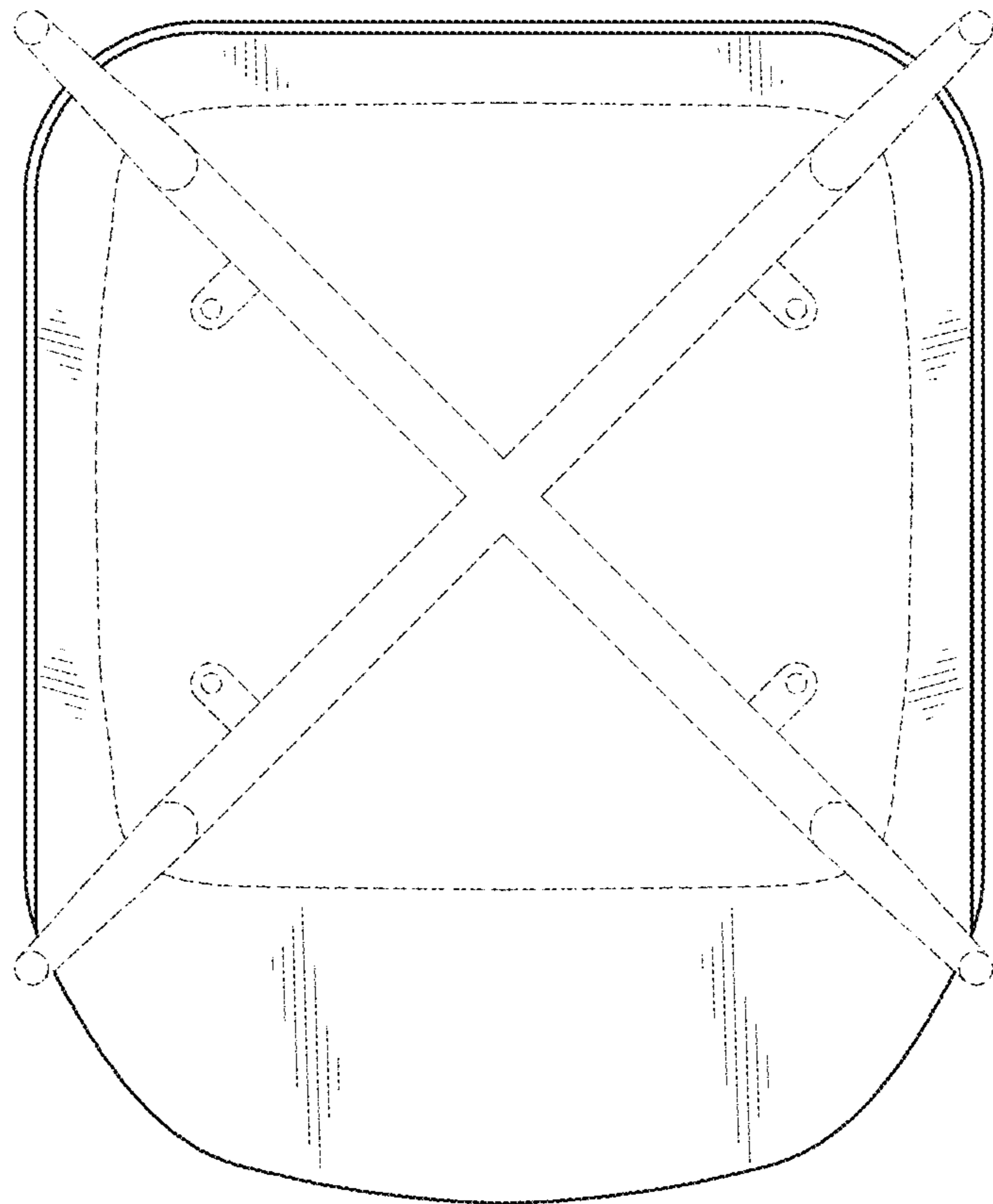


Fig. 6

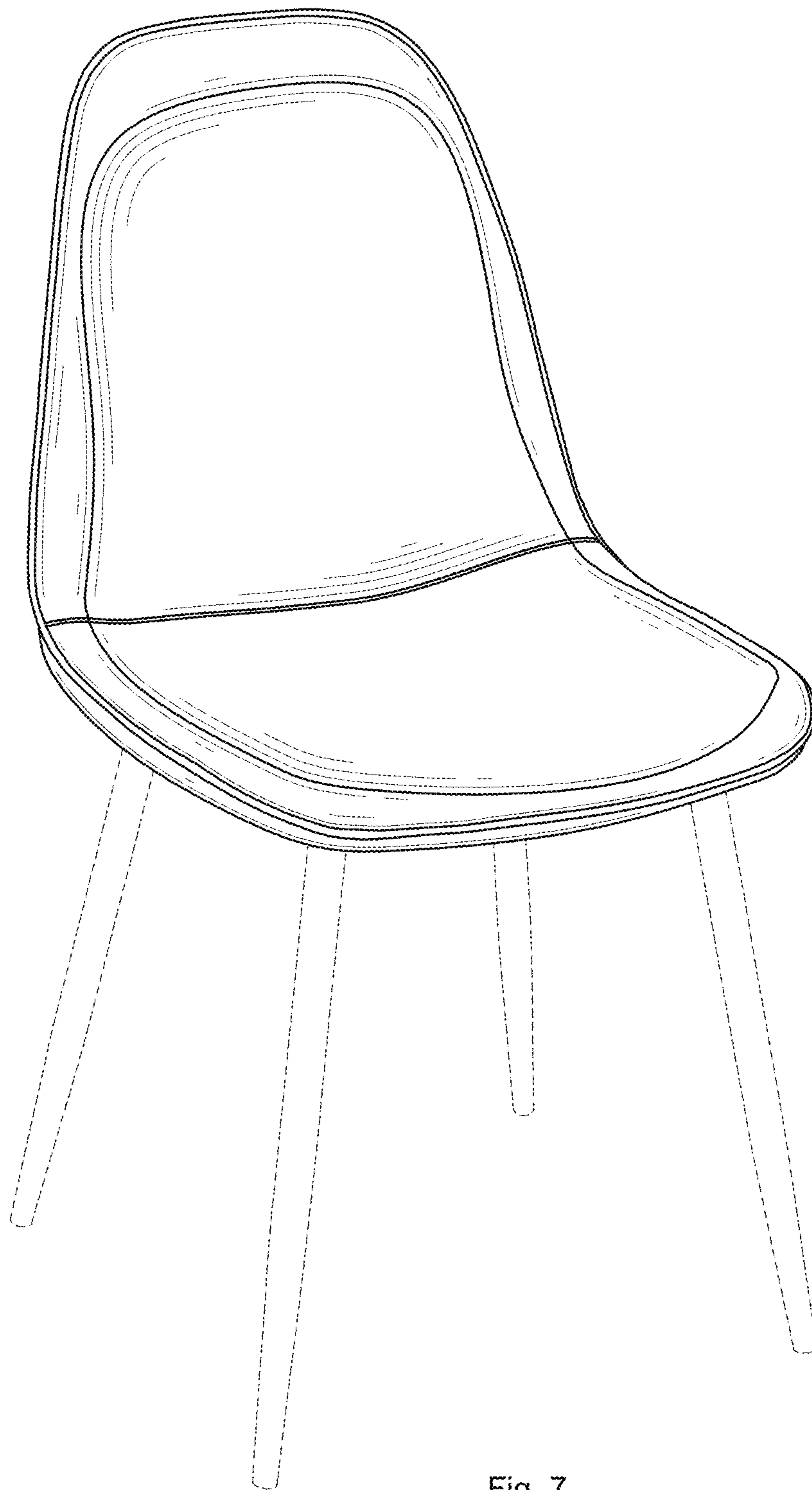


Fig. 7

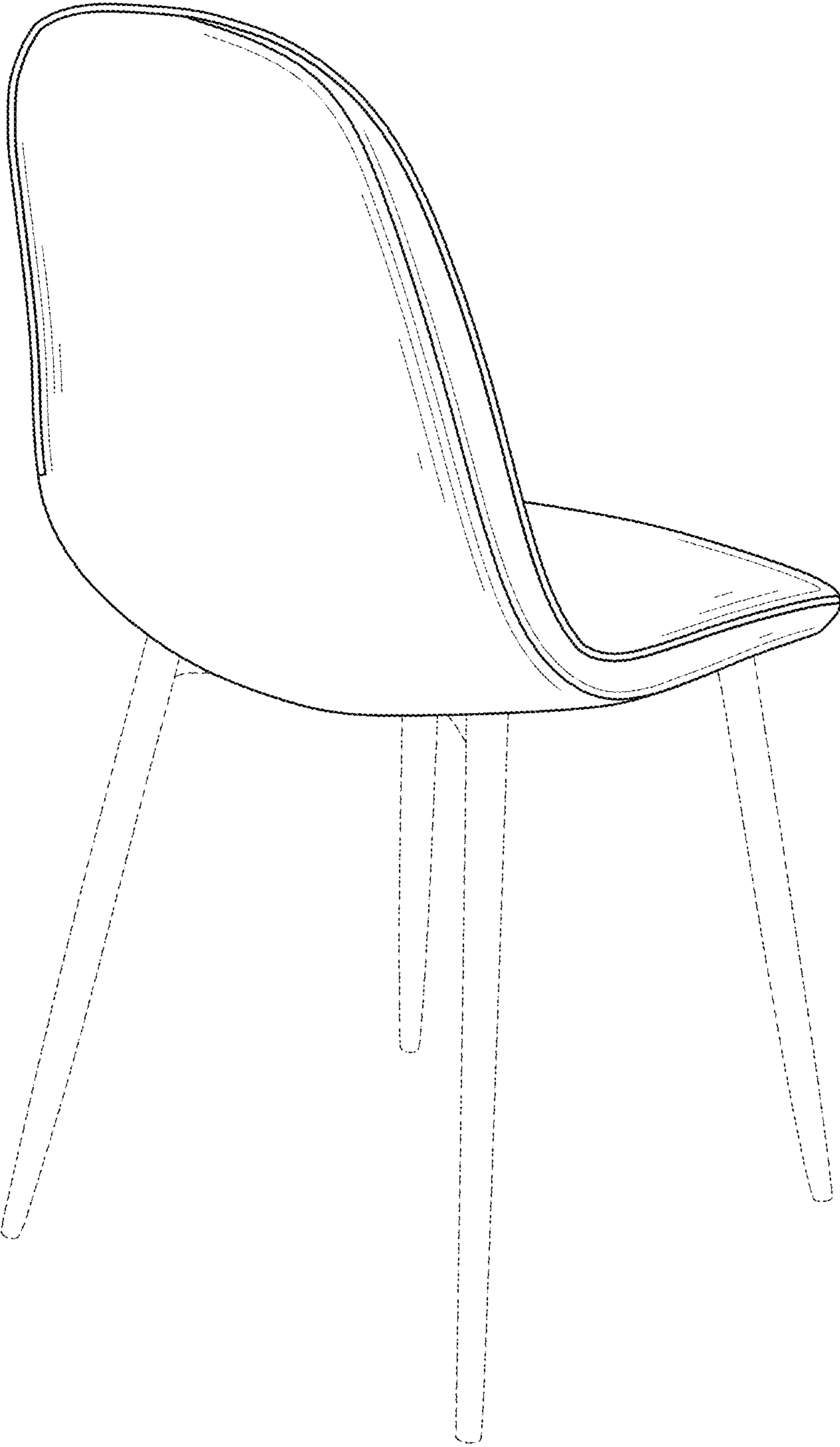


Fig. 8