



US00D808661S

(12) **United States Design Patent**
Jain

(10) **Patent No.:** **US D808,661 S**

(45) **Date of Patent:** **** Jan. 30, 2018**

- (54) **COSMETIC BRUSH FERRULE**
- (71) Applicant: **Indeutsch Industries Private Limited**,
Noida (IN)
- (72) Inventor: **Samir Jain**, Noida (IN)
- (73) Assignee: **Indeutsch Industries Private Limited**,
Nodia (IN)
- (**) Term: **15 Years**
- (21) Appl. No.: **29/548,909**
- (22) Filed: **Dec. 17, 2015**

(30) **Foreign Application Priority Data**

Dec. 15, 2015 (EM) 002910968

(51) **LOC (11) Cl.** **04-02**

(52) **U.S. Cl.**
USPC **D4/199**

(58) **Field of Classification Search**

USPC D4/121, 127, 135, 138; 15/106, 159.1,
15/160, 176.1, 184, 190-194; 132/289,
132/294, 298, 313, 317, 320; 401/123,
401/141, 175, 281

CPC A46B 7/026; A46B 5/005; A46B 17/04;
A46B 2200/1046

See application file for complete search history.

(56) **References Cited**

U.S. PATENT DOCUMENTS

- D304,392 S * 11/1989 Reich D4/135
- D452,994 S * 1/2002 Mink D4/138
- D658,385 S * 5/2012 Lim D4/121
- D718,060 S * 11/2014 Filho D4/199
- D749,859 S * 2/2016 Snook D4/135

- D768,998 S * 10/2016 Kim D4/127
- D778,623 S * 2/2017 Jain D4/199
- D782,199 S * 3/2017 Hwang D4/127
- D782,826 S * 4/2017 Kim D4/127
- D791,488 S * 7/2017 Jain D4/127
- D793,090 S * 8/2017 Allen D4/127
- 2005/0257337 A1 * 11/2005 Clegg A46B 15/0036
15/105

* cited by examiner

Primary Examiner — Austin Murphy

(74) *Attorney, Agent, or Firm* — Katten Muchin
Rosenman LLP

(57) **CLAIM**

The ornamental design for the cosmetic brush ferrule, as shown and described.

DESCRIPTION

FIG. 1 is a front perspective view of a cosmetic brush ferrule of the present invention;

FIG. 2 is a frontal view of the cosmetic brush ferrule of the present invention;

FIG. 3 is a rear view of the cosmetic brush ferrule of the present invention;

FIG. 4 is a first side view of the cosmetic brush ferrule of the present invention;

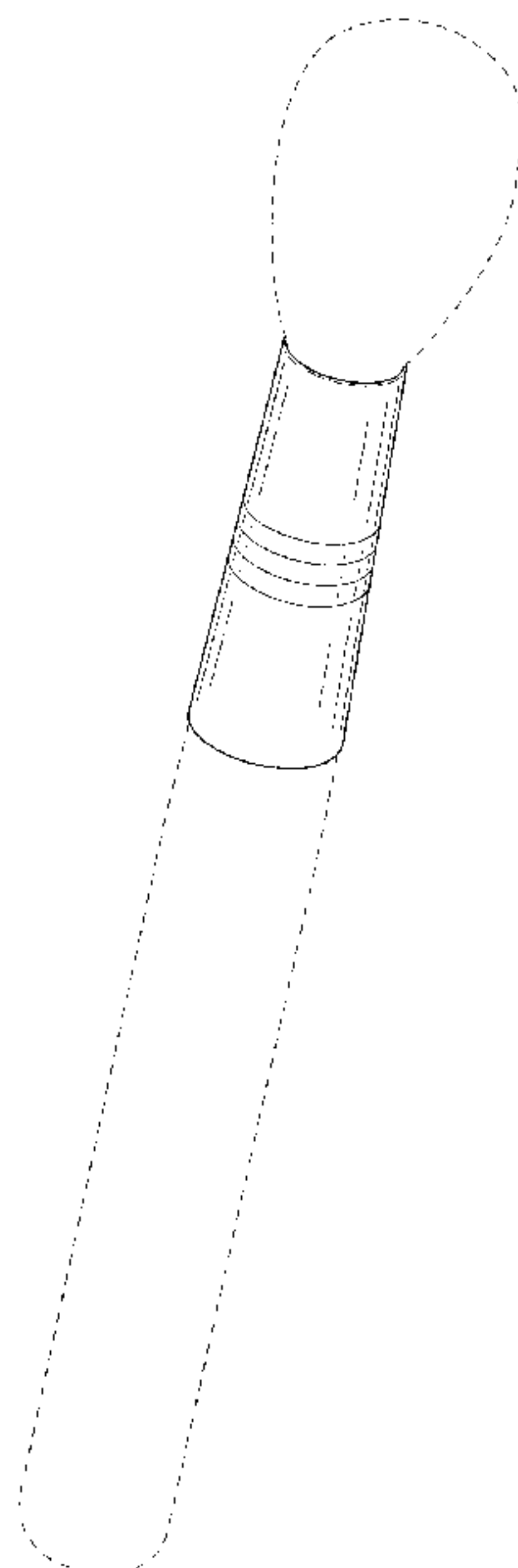
FIG. 5 is a second side view of the cosmetic brush ferrule of the present invention;

FIG. 6 is a top view of the cosmetic brush ferrule of the present invention; and,

FIG. 7 is a bottom view of the cosmetic brush ferrule of the present invention.

The broken lines in the drawings represent unclaimed subject matter and form no part of the claim.

1 Claim, 4 Drawing Sheets



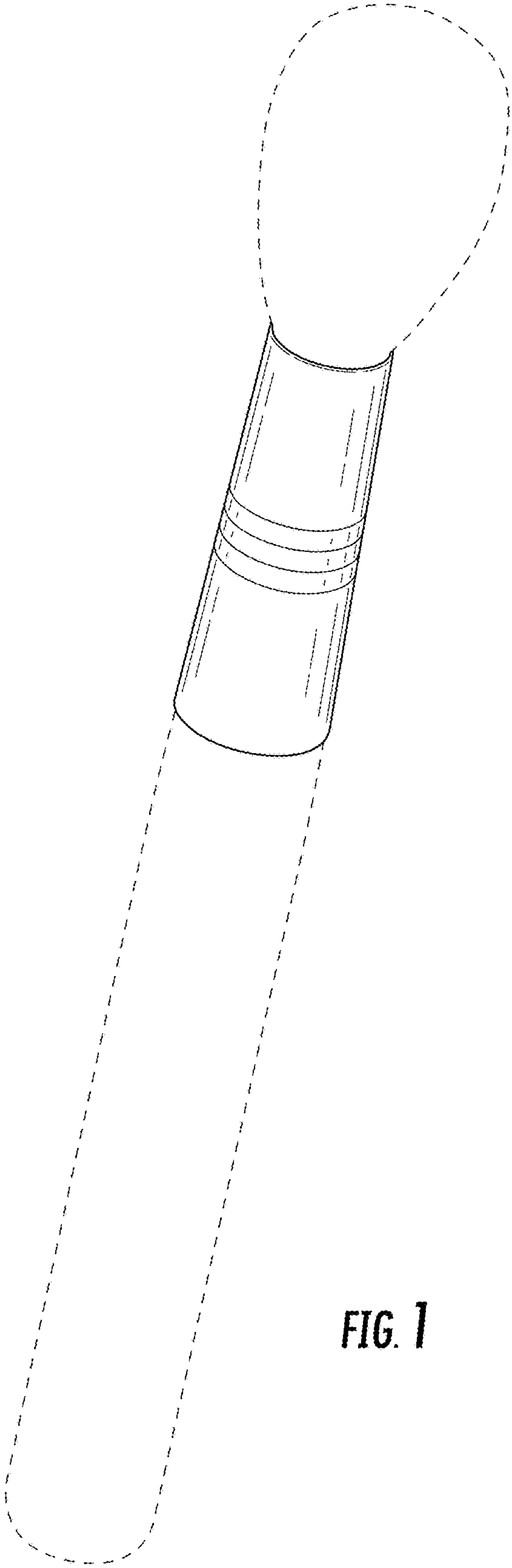


FIG. 1

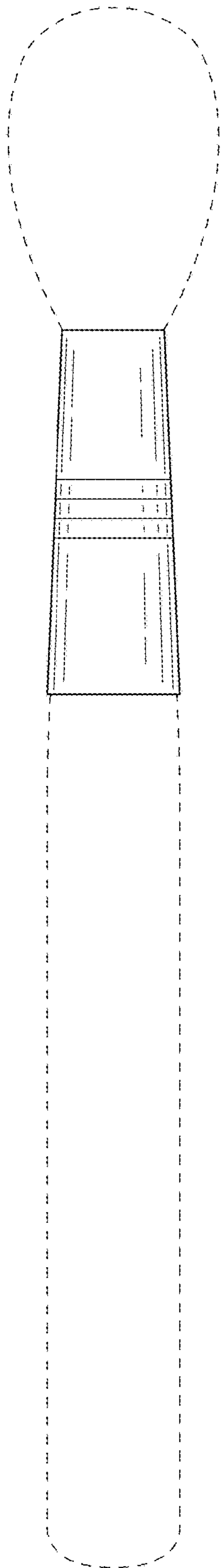


FIG. 2

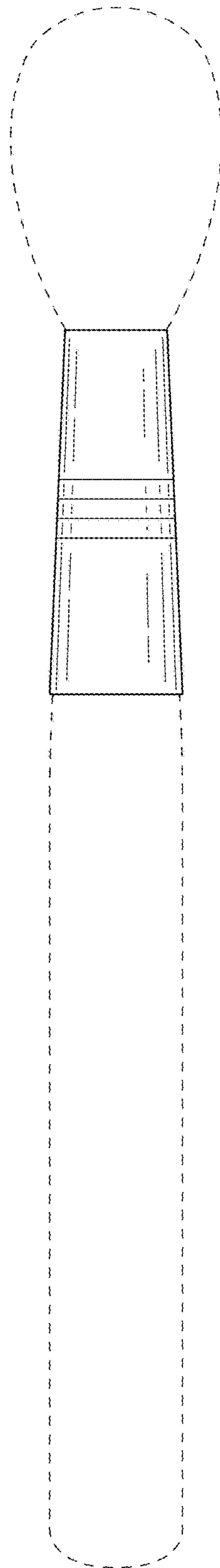


FIG. 3

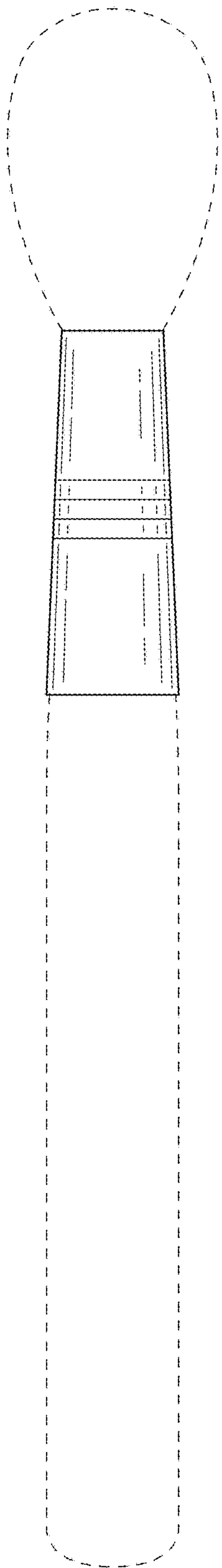


FIG. 4

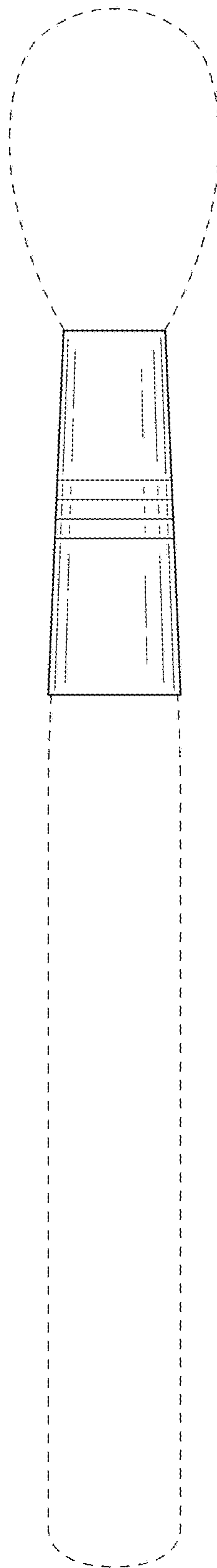


FIG. 5

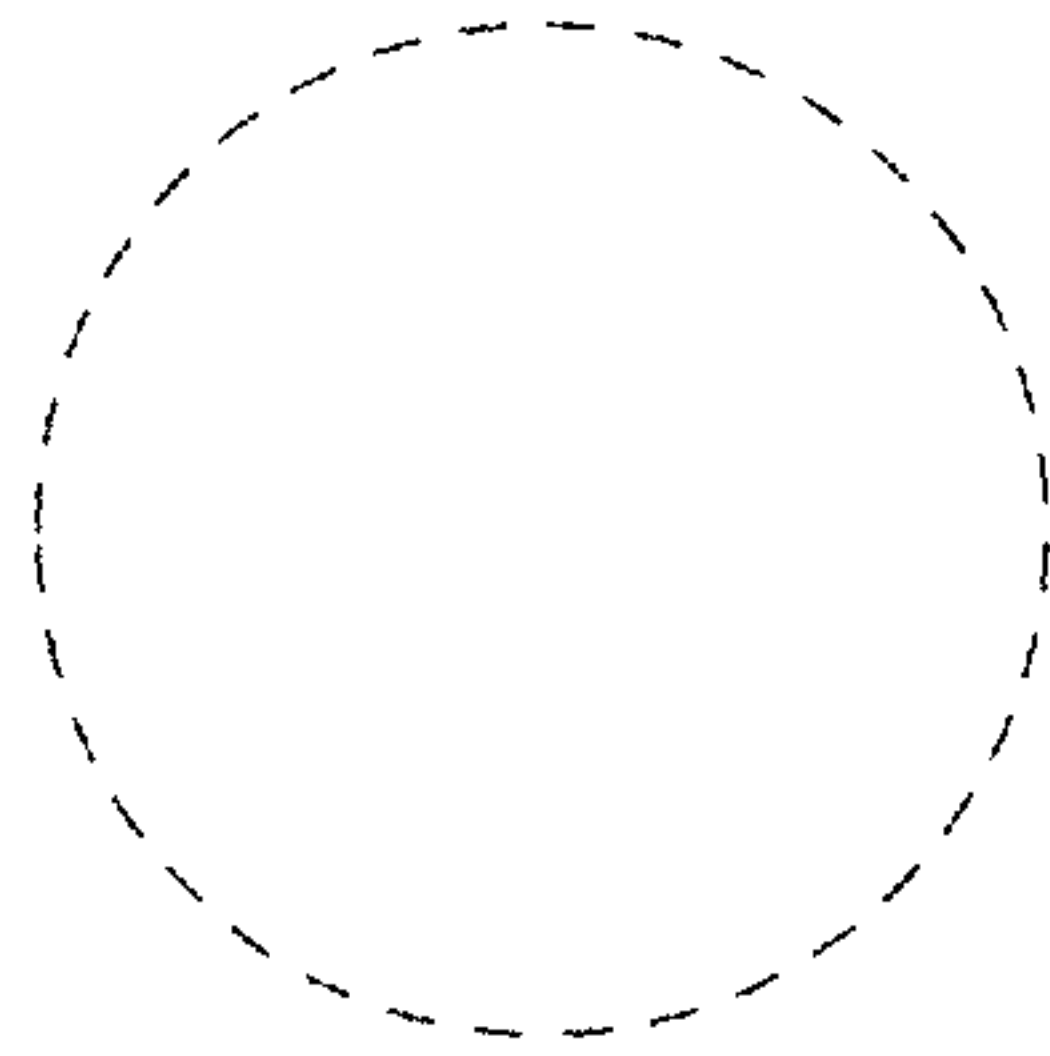


FIG. 6

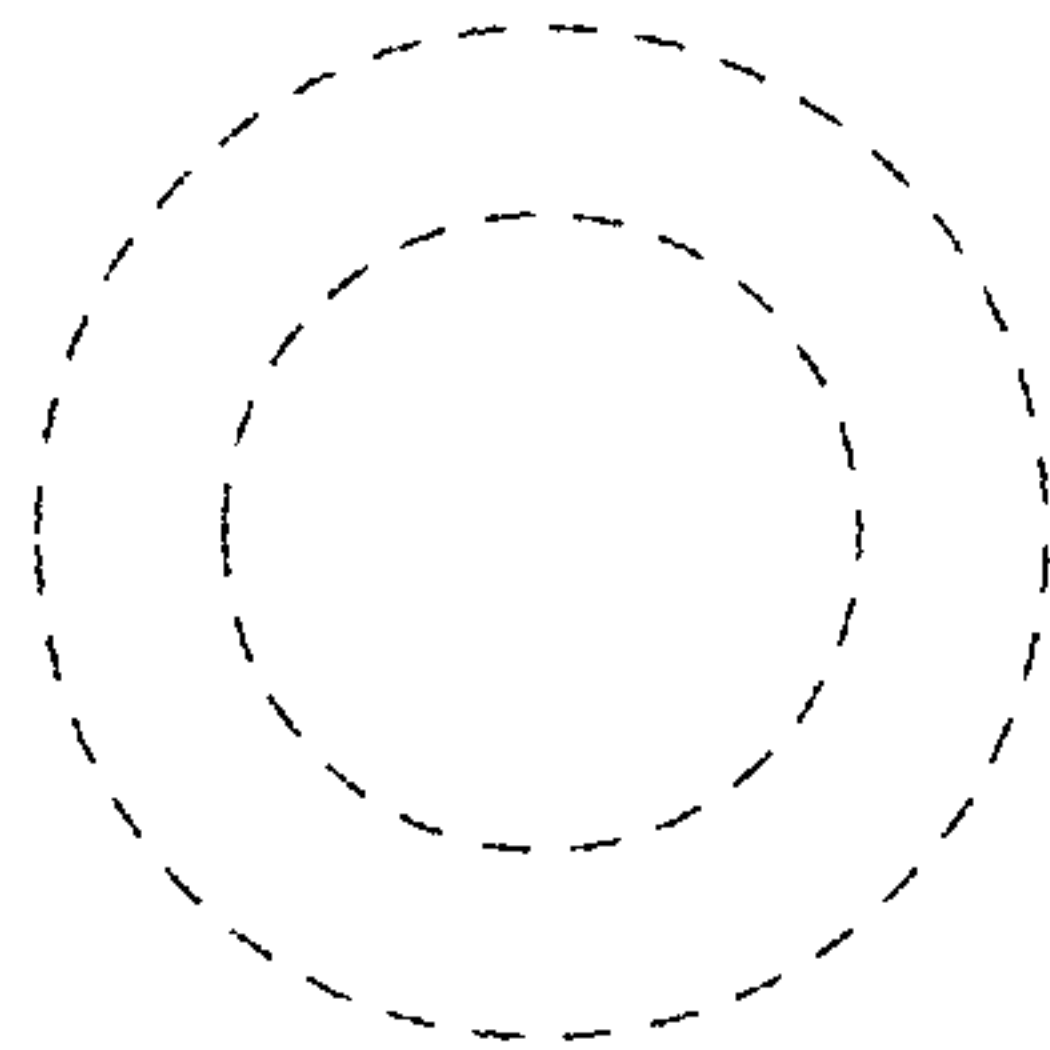


FIG. 7