



US00D808660S

(12) **United States Design Patent** (10) **Patent No.:** **US D808,660 S**  
**Kresge** (45) **Date of Patent:** **\*\* Jan. 30, 2018**

(54) **VACUUM DUSTER**  
 (71) Applicant: **David Kresge**, San Diego, CA (US)  
 (72) Inventor: **David Kresge**, San Diego, CA (US)  
 (\*\*) Term: **15 Years**  
 (21) Appl. No.: **29/608,672**  
 (22) Filed: **Jun. 23, 2017**  
 (51) **LOC (11) Cl.** ..... **14-03**  
 (52) **U.S. Cl.**  
 USPC ..... **D4/128**  
 (58) **Field of Classification Search**  
 USPC ..... D4/128, 129, 131, 136, 138, 108, 109,  
 D4/119; D32/35, 51; 15/104.5, 104.16,  
 15/104.2, 104.31, 104.32, 164, 165, 206;  
 D28/65; D7/682; D30/160; 452/298,  
 452/458  
 CPC ..... A46B 7/026; A46B 5/005; A46B 17/04;  
 A46B 2200/1046  
 See application file for complete search history.

(56) **References Cited**  
 U.S. PATENT DOCUMENTS  
 D632,085 S \* 2/2011 Kroehl ..... D4/128  
 D647,703 S \* 11/2011 Li ..... D4/128  
 D674,610 S \* 1/2013 Eatherton ..... D4/111  
 D690,945 S \* 10/2013 Williams ..... D4/128  
 D693,128 S \* 11/2013 Williams ..... D4/128  
 D694,018 S \* 11/2013 Williams ..... D4/128  
 D702,947 S \* 4/2014 Lee ..... D4/101

D710,114 S \* 8/2014 Yao ..... D4/128  
 D720,137 S \* 12/2014 Schuler ..... D4/128  
 D721,505 S \* 1/2015 Schuler ..... D4/128  
 D724,268 S \* 3/2015 Gardella ..... D28/37  
 D740,569 S \* 10/2015 Donald ..... D4/128  
 D747,106 S \* 1/2016 Lim ..... D4/128  
 D763,578 S \* 8/2016 Kato ..... D4/111  
 D774,779 S \* 12/2016 Uhlen ..... D4/128  
 D782,200 S \* 3/2017 Jacob ..... D4/128  
 D784,024 S \* 4/2017 Jun ..... D4/128  
 D784,025 S \* 4/2017 Jun ..... D4/128  
 D787,195 S \* 5/2017 Nakamura ..... D4/128

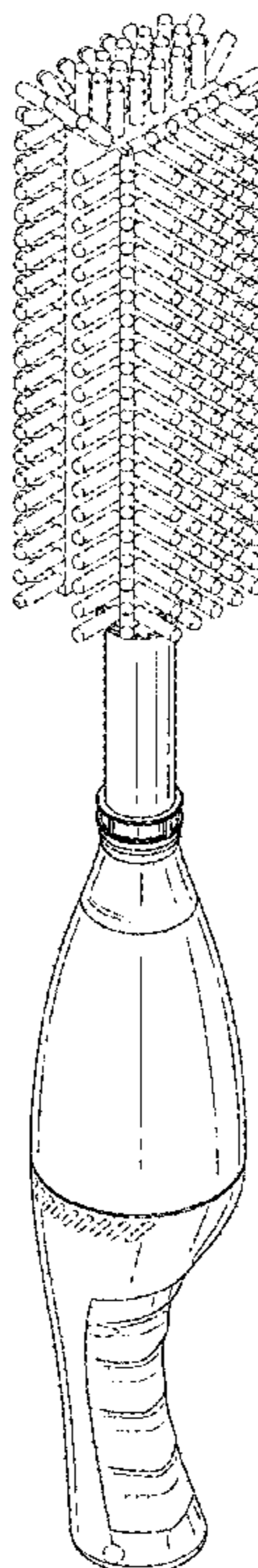
\* cited by examiner

*Primary Examiner* — Austin Murphy  
 (74) *Attorney, Agent, or Firm* — O’Shea Getz P.C.

(57) **CLAIM**  
 The ornamental design of a vacuum duster, as shown and described.

**DESCRIPTION**  
 FIG. 1 is a back side perspective view of a vacuum duster; FIG. 2 is a front side perspective view thereof; FIG. 3 is a front elevational view thereof; FIG. 4 is a back elevational view thereof; FIG. 5 is a right side elevational view thereof; FIG. 6 is a left side elevational view thereof; FIG. 7 is a top plan view thereof; and, FIG. 8 is a bottom plan view thereof. The broken line representations in the figures are for the purpose of illustration only and form no part of the claimed invention.

**1 Claim, 3 Drawing Sheets**



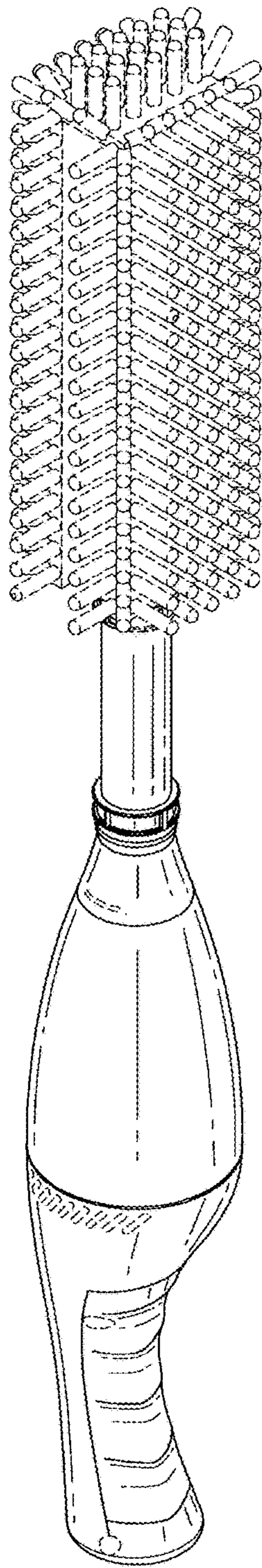


FIG. 1

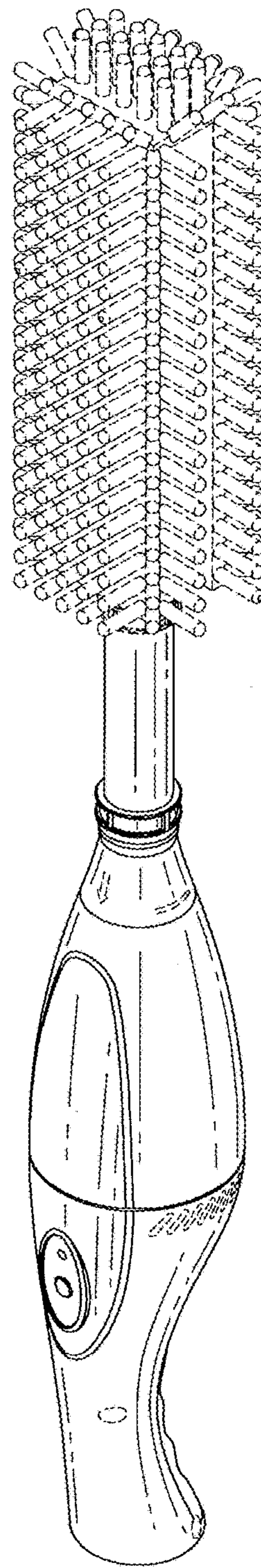


FIG. 2

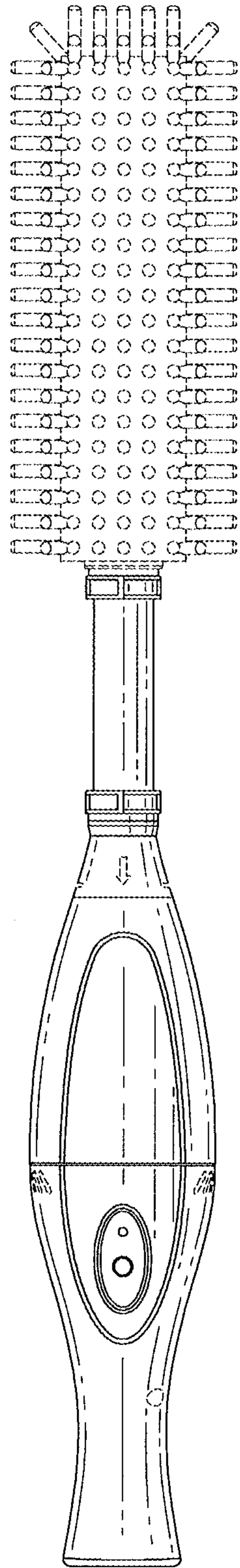


FIG. 3

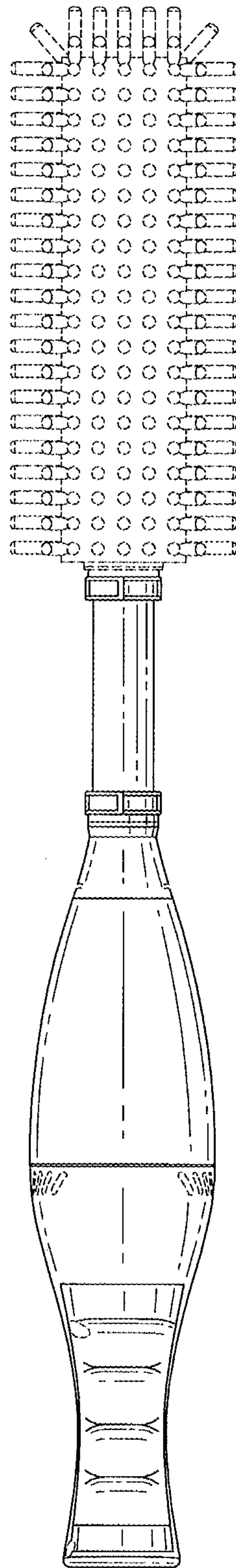


FIG. 4

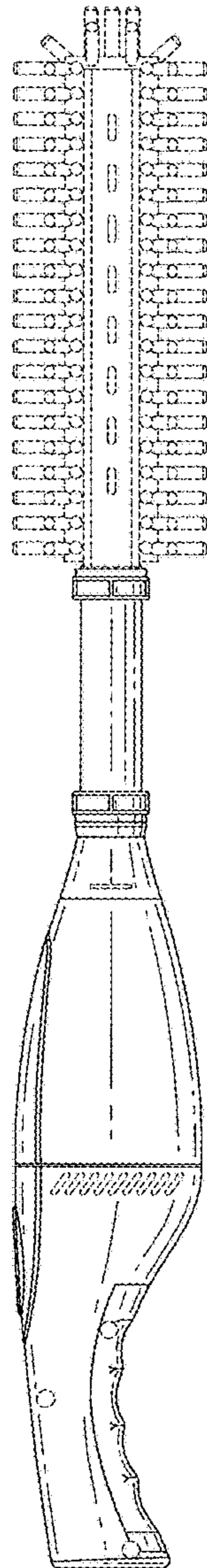


FIG. 5

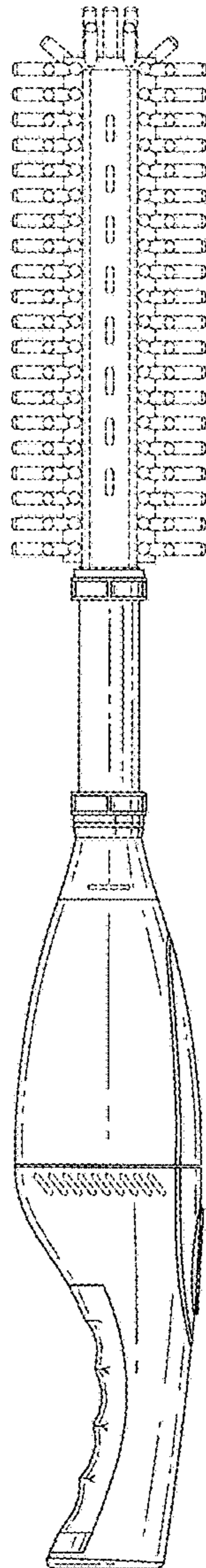


FIG. 6

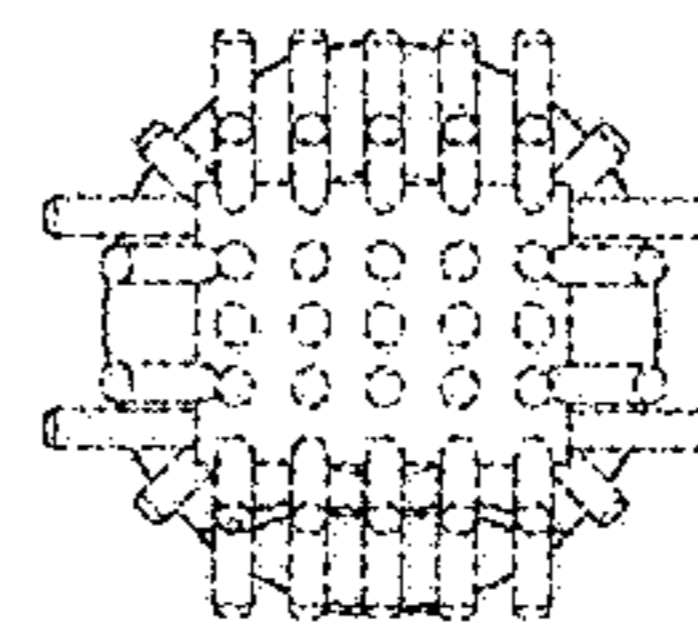


FIG. 7

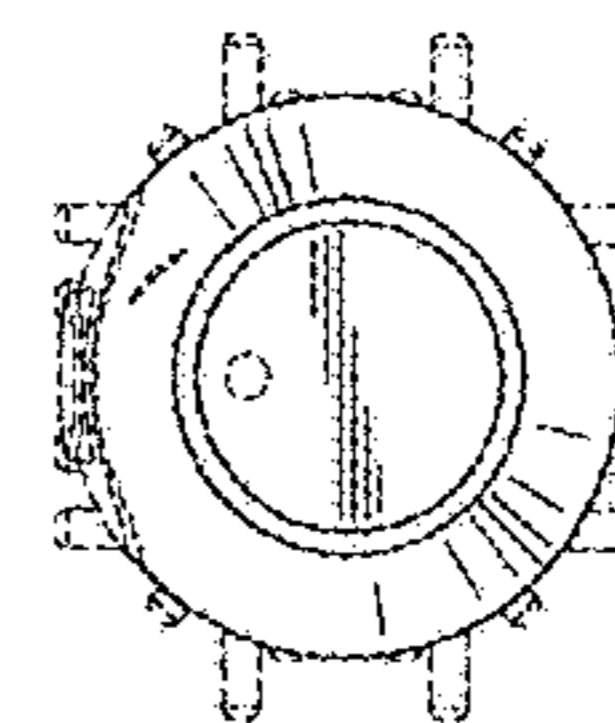


FIG. 8