



US00D808659S

(12) **United States Design Patent**
Ballmaier et al.

(10) **Patent No.:** **US D808,659 S**
(45) **Date of Patent:** **** Jan. 30, 2018**

(54) **TOOTHBRUSH HEAD WITH TONGUE
CLEANER**

(71) Applicant: **Braun GmbH**, Kronberg (DE)

(72) Inventors: **Kathi Ballmaier**, Werheim (DE);
Marlis Huebner, Schwalbach (DE);
Kathrin Koch, Kronberg (DE); **Soeren
Wasow**, Freigericht (DE); **Tilmann
Winkler**, Kronberg (DE)

(73) Assignee: **BRAUN GMBH**, Kronberg (DE)

(**) Term: **14 Years**

(21) Appl. No.: **29/515,630**

(22) Filed: **Jan. 26, 2015**

Related U.S. Application Data

(62) Division of application No. 29/425,196, filed on Jun. 20, 2012, now Pat. No. Des. 724,324.

(51) **LOC (11) Cl.** **04-02**

(52) **U.S. Cl.**
USPC **D4/108**; D4/104

(58) **Field of Classification Search**
USPC D4/107, 124–126, 104, 101, 108,
D4/110–113, 116, 120, 132–135, 138,
D4/199, 136; 15/143.1, 167.1, 167.2,
15/110, 111, 176.1–176.6, 184, 159.1,
15/160, 207.2, DIG. 5, DIG. 6, 188,
15/205.2; D11/95, 131, 164, 200, 222,
D11/228–232, 40–48, 76, 79–81, 86;
132/308–311; 601/139–142, 80, 136;
606/161, 235; D24/146, 147, 152, 176;
D7/393, 395, 401.2, 392; D99/17, 21,
D99/22, 25, 43, 99; D21/713; D2/955,
D2/954, 951, 953, 956, 952, 961;
32/308–311; 16/430, 902, DIG. 12,
16/DIG. 18, DIG. 19, 431; D8/107;
D28/45, 46, 48

CPC A46B 5/02; A46B 5/023; A46B 5/025;
A46B 5/026; A46B 5/00; A46B 5/0004;
A46B 5/0054; A46B 5/0079; A46B
5/0095; A46B 5/021; A46B 5/04; A46B
13/00; A46B 13/02; A46B 9/04; A46B
9/045; A46B 15/0032; A46B 15/0075;
A46B 15/0069; A46B 15/0055; A46B
15/0081; A46B 15/0071; A46B 15/0087;
A46B 15/0089; A46B 15/0097; A46B
2200/1066; A46B 2200/1073; A46B
2200/1086; A46B

(Continued)

(56) **References Cited**

U.S. PATENT DOCUMENTS

2,438,268 A * 3/1948 Bressler A46B 5/0025
15/167.1
2,443,297 A * 6/1948 Bressler A46B 5/0025
15/167.1

(Continued)

Primary Examiner — Susan Moon Lee

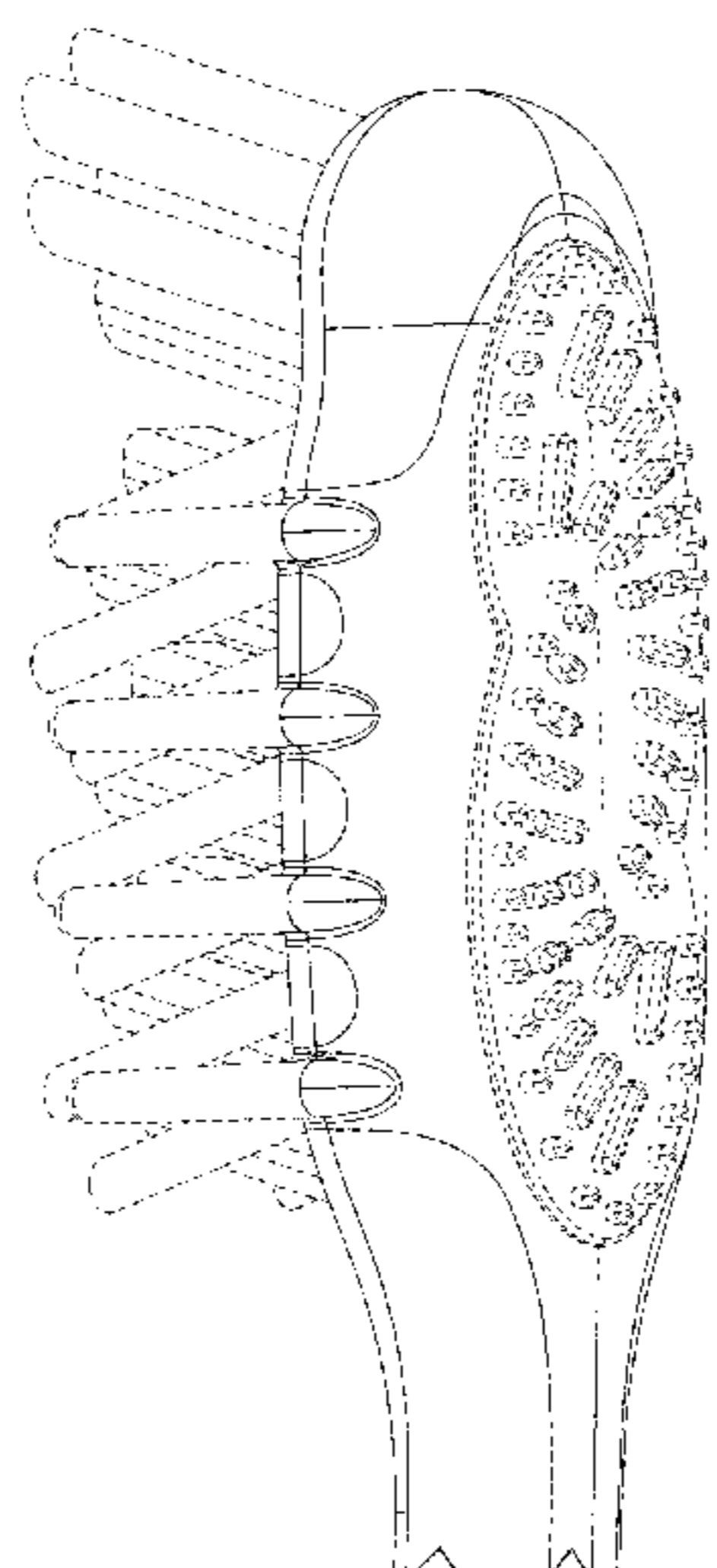
(57) **CLAIM**

The ornamental design for a toothbrush head with tongue cleaner, as shown and described above.

DESCRIPTION

FIG. 1 is a perspective view of a toothbrush head with tongue cleaner;
FIG. 2 is a rear view thereof;
FIG. 3 is a right side view thereof;
FIG. 4 is a left side view thereof;
FIG. 5 is a front view thereof;
FIG. 6 is a bottom view thereof; and,
FIG. 7 is a top view thereof.
Broken lines and unshaded portions contained within broken lines depict exemplary elements of the toothbrush head with tongue cleaner that are shown for illustrative purposes only and that form no part of the claimed design.

1 Claim, 6 Drawing Sheets



(58) **Field of Classification Search**
 CPC . 2200/1026; A46B 17/04; A61C 17/00; A61C
 17/0202; A61C 17/16; A61C 17/20; A61C
 17/22; A61C 17/222; A61C 17/225; A61C
 17/26; A61C 17/34; A61C 15/048; A45D
 44/18; A46D 1/10
 See application file for complete search history.

(56) **References Cited**
 U.S. PATENT DOCUMENTS

2,631,320 A * 3/1953 Bressler A46B 3/16
 15/167.1
 2,650,383 A * 9/1953 Bressler A46B 5/0025
 15/167.1
 2,676,350 A * 4/1954 Bressler A46B 5/0025
 15/167.1
 3,188,672 A * 6/1965 Gary A46B 5/0025
 15/167.1
 D342,161 S * 12/1993 Curtis D4/104
 D342,162 S * 12/1993 Curtis D4/104
 D343,294 S * 1/1994 Curtis D4/104
 D370,565 S * 6/1996 Huang D4/104
 5,651,158 A * 7/1997 Halm A46B 5/0025
 15/167.1
 D390,706 S * 2/1998 Hohlbein D4/104
 5,735,011 A * 4/1998 Asher A46B 9/005
 15/110
 5,735,012 A * 4/1998 Heinzelman A46B 5/002
 15/143.1
 5,802,656 A * 9/1998 Dawson A46B 5/0029
 15/110
 5,813,079 A * 9/1998 Halm A46B 5/0025
 15/167.1
 D401,069 S * 11/1998 Lamond D4/104
 D404,205 S * 1/1999 Hohlbein D4/104
 D404,206 S * 1/1999 Hohlbein D4/104
 5,970,564 A * 10/1999 Inns A46B 5/0025
 15/167.1
 5,991,959 A * 11/1999 Raven A46B 5/0029
 15/167.1
 D421,844 S * 3/2000 Stark D4/104
 D429,887 S * 8/2000 Hohlbein D4/104
 6,101,659 A * 8/2000 Halm A46B 5/02
 15/167.1
 6,105,191 A * 8/2000 Chen A46B 9/06
 15/111
 6,115,870 A * 9/2000 Solanki A46B 5/0025
 15/167.1
 D434,565 S * 12/2000 Bojar D4/112
 D434,908 S * 12/2000 Bojar D4/112
 6,185,779 B1 * 2/2001 Kramer A46B 5/0025
 15/167.1
 6,237,183 B1 * 5/2001 Fischer A46B 7/04
 15/167.1
 6,308,367 B1 * 10/2001 Beals A46B 5/02
 15/167.1
 D450,929 S * 11/2001 Angelini D4/105
 6,311,358 B1 * 11/2001 Soetewey A46B 9/06
 15/110
 D456,139 S * 4/2002 Hohlbein D4/104
 6,453,497 B1 * 9/2002 Chiang A46B 9/10
 134/6
 6,463,618 B1 * 10/2002 Zimmer A46B 9/06
 15/110
 D466,303 S * 12/2002 Saindon D4/104
 D467,431 S * 12/2002 Tournebize D4/104
 D477,465 S * 7/2003 Reilly D4/104
 D478,424 S * 8/2003 Saindon D4/104
 6,601,257 B1 * 8/2003 Felix-Flender A46B 9/02
 15/160
 D482,199 S * 11/2003 De Salvo D4/104
 6,810,551 B1 * 11/2004 Weihrauch A46B 3/04
 15/167.1
 D503,538 S * 4/2005 Desalvo D4/104

6,886,207 B1 * 5/2005 Solanki A46B 9/028
 15/110
 D506,871 S * 7/2005 Winkler D4/104
 D506,872 S * 7/2005 Winkler D4/104
 6,988,777 B2 * 1/2006 Pfenniger A46B 3/06
 15/167.1
 D557,503 S * 12/2007 Wong D4/104
 D575,064 S * 8/2008 Wong D4/104
 D576,797 S * 9/2008 Moskovich D4/108
 D582,681 S * 12/2008 Geiberger D4/104
 D585,198 S * 1/2009 Moskovich D4/108
 D590,598 S * 4/2009 Moskovich D4/108
 D592,405 S * 5/2009 Moskovich D4/108
 7,574,765 B2 * 8/2009 Huber A46B 9/04
 15/22.1
 D609,013 S * 2/2010 Kling D4/108
 D614,868 S * 5/2010 Goldman D4/104
 7,743,448 B2 * 6/2010 Gavney, Jr. A46B 9/005
 15/117
 D622,509 S * 8/2010 Crossman D4/104
 D632,084 S * 2/2011 Baertschi D4/104
 D637,003 S * 5/2011 Moskovich D4/108
 D637,401 S * 5/2011 Pusch D4/104
 D642,802 S * 8/2011 Bartschi D4/104
 D642,803 S * 8/2011 Bartschi D4/104
 D645,254 S * 9/2011 Xi D4/108
 D654,695 S * 2/2012 Jimenez D4/108
 D655,918 S * 3/2012 Bartschi D4/104
 8,214,958 B2 * 7/2012 Pinyayev A61B 5/0088
 15/22.1
 D671,325 S * 11/2012 Bartschi D4/104
 D675,448 S * 2/2013 Xi D4/108
 8,382,208 B2 * 2/2013 Baertschi A46B 5/0025
 15/143.1
 D677,900 S * 3/2013 Jin D4/108
 D687,228 S * 8/2013 Wong D4/108
 D690,114 S * 9/2013 Geiberger D4/104
 D696,518 S * 12/2013 Ballmaier D4/104
 D698,555 S * 2/2014 Nanda D4/108
 D704,446 S * 5/2014 Xi D4/104
 8,776,302 B2 * 7/2014 Baertschi A46B 9/005
 15/143.1
 RE45,141 E * 9/2014 Fischer 15/110
 8,959,696 B2 * 2/2015 Xi A46B 9/04
 15/110
 D723,282 S * 3/2015 Fretwell D4/101
 D724,324 S * 3/2015 Ballmaier D4/108
 9,027,193 B2 * 5/2015 Xi A46B 3/00
 15/167.1
 9,167,887 B2 * 10/2015 Xi A46B 5/0029
 D750,379 S * 3/2016 Storkel D4/108
 D767,899 S * 10/2016 Kraemer D4/104
 9,462,877 B2 * 10/2016 Xi A46B 5/0029
 D775,470 S * 1/2017 Xi D4/104
 D776,437 S * 1/2017 Xi D4/104
 D780,457 S * 3/2017 Jimenez D4/104
 D787,189 S * 5/2017 Fretwell D4/101
 9,635,928 B2 * 5/2017 Morgott A46D 1/0207
 2002/0138931 A1 * 10/2002 Davies A46B 5/02
 15/167.1
 2002/0152570 A1 * 10/2002 Hohlbein A47L 13/258
 15/147.1
 2002/0192621 A1 * 12/2002 Ben-Ari A61C 8/0048
 433/173
 2003/0077107 A1 * 4/2003 Kuo A46B 15/0002
 401/278
 2003/0229959 A1 * 12/2003 Gavney, Jr. A46B 9/005
 15/117
 2004/0006837 A1 * 1/2004 Cann A46B 5/002
 15/167.1
 2004/0025275 A1 * 2/2004 Moskovich A46B 5/0025
 15/167.1
 2004/0177462 A1 * 9/2004 Brown, Jr. A46B 3/16
 15/167.1
 2005/0188489 A1 * 9/2005 Hohlbein A46B 3/20
 15/167.1

(56)

References Cited

U.S. PATENT DOCUMENTS

2006/0064833	A1*	3/2006	Jacobs	A46B 15/0002	15/110
2006/0230563	A1*	10/2006	Gavney, Jr.	A46B 5/0025	15/117
2007/0056128	A1*	3/2007	Hohlbein	A46B 9/028	15/110
2007/0110503	A1*	5/2007	Glover	A46B 11/0024	401/134
2007/0111167	A1*	5/2007	Russell	A46B 15/0002	433/216
2007/0271717	A1*	11/2007	Clos	A46B 3/20	15/167.1
2008/0184511	A1*	8/2008	Brown	A46B 7/02	15/110
2008/0286713	A1*	11/2008	Nanda	A46B 15/0002	433/29
2009/0151101	A1*	6/2009	Bielfeldt	A46B 9/005	15/167.1
2009/0188063	A1*	7/2009	Baertschi	A46B 5/02	15/167.1
2010/0043162	A1*	2/2010	Zimmermann	A46B 15/0055	15/111
2010/0088836	A1*	4/2010	Kirchhofer	A46B 5/0025	15/167.1
2011/0138560	A1*	6/2011	Vitt	A46B 3/22	15/167.1
2011/0152909	A1*	6/2011	Jimenez	A61B 17/244	606/161
2013/0269128	A1*	10/2013	Jimenez	A61C 17/3481	15/22.1
2015/0033487	A1*	2/2015	Moskovich	A46B 9/06	15/167.1
2015/0173502	A1*	6/2015	Sedic	A46B 9/04	15/22.1
2016/0135579	A1*	5/2016	Tschol	A46B 9/02	15/167.1
2016/0135580	A1*	5/2016	Tschol	A46B 9/02	15/167.1
2017/0245627	A1*	8/2017	Xi	A46B 9/04	

* cited by examiner

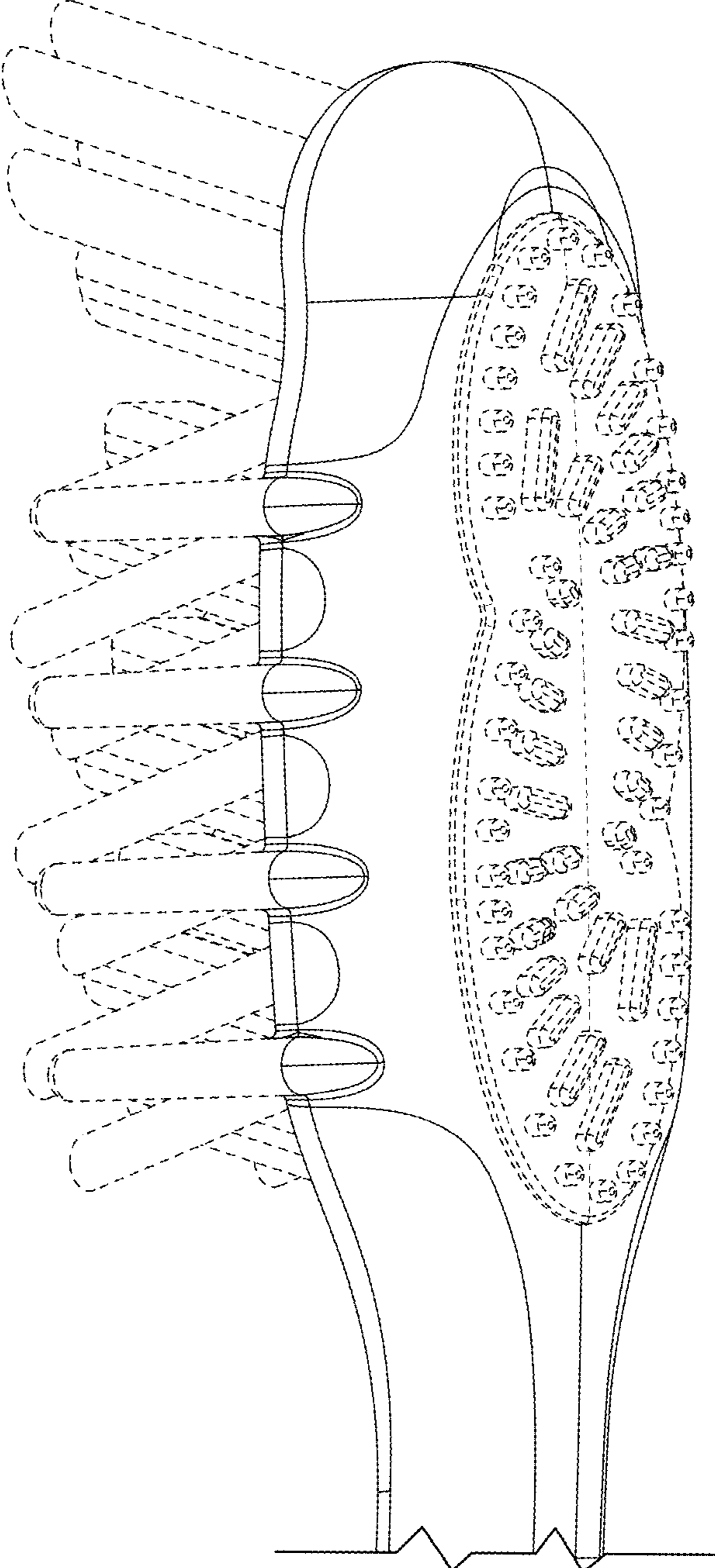


Fig. 1

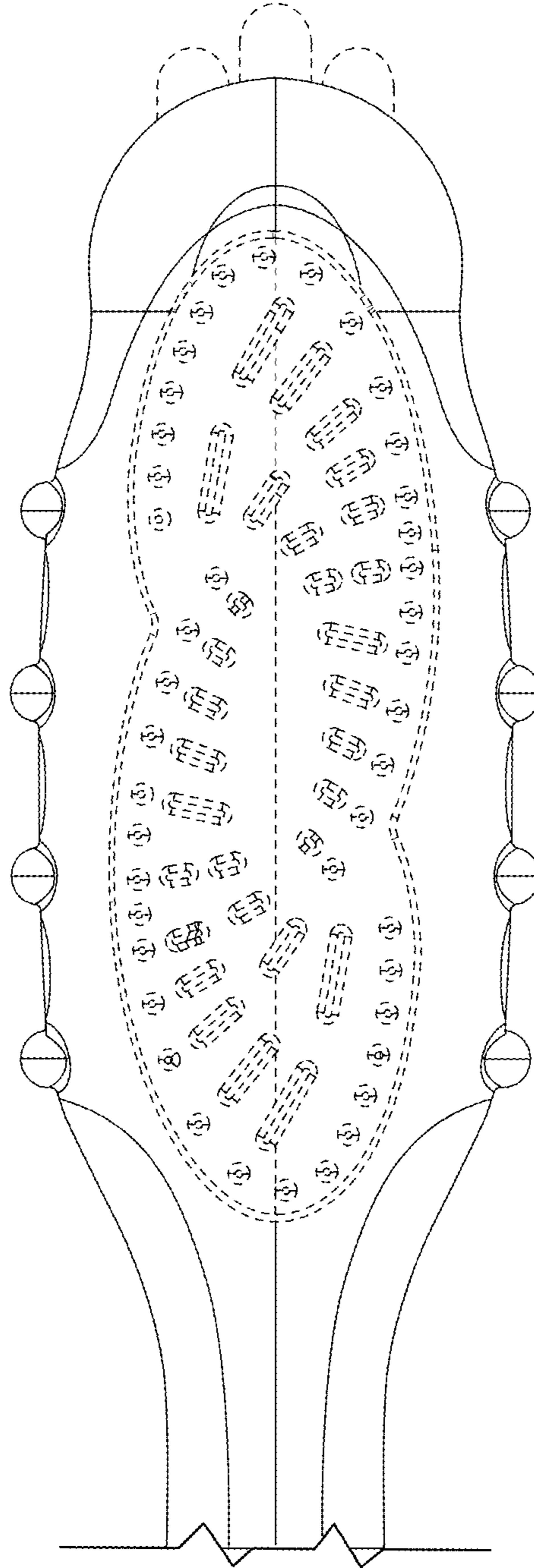


Fig. 2

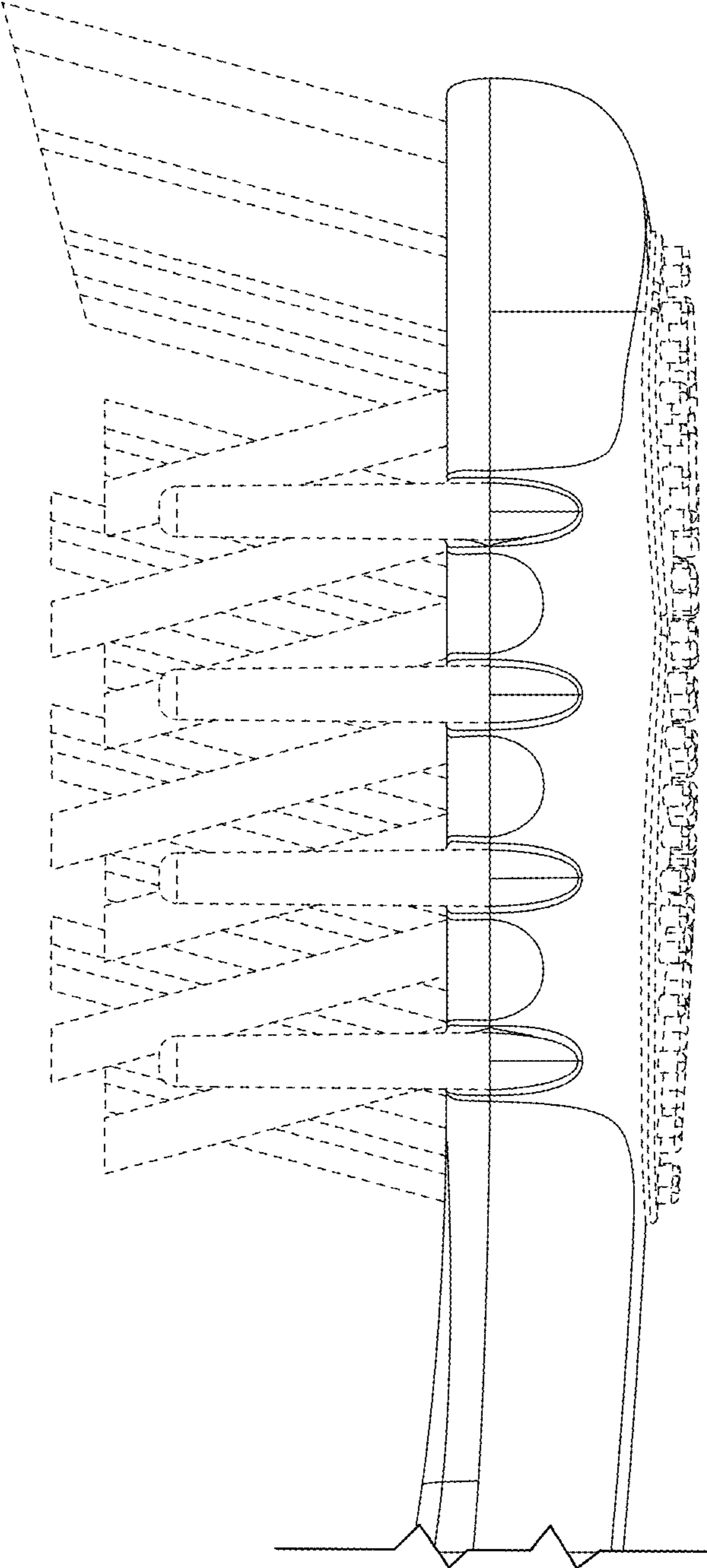


Fig. 3

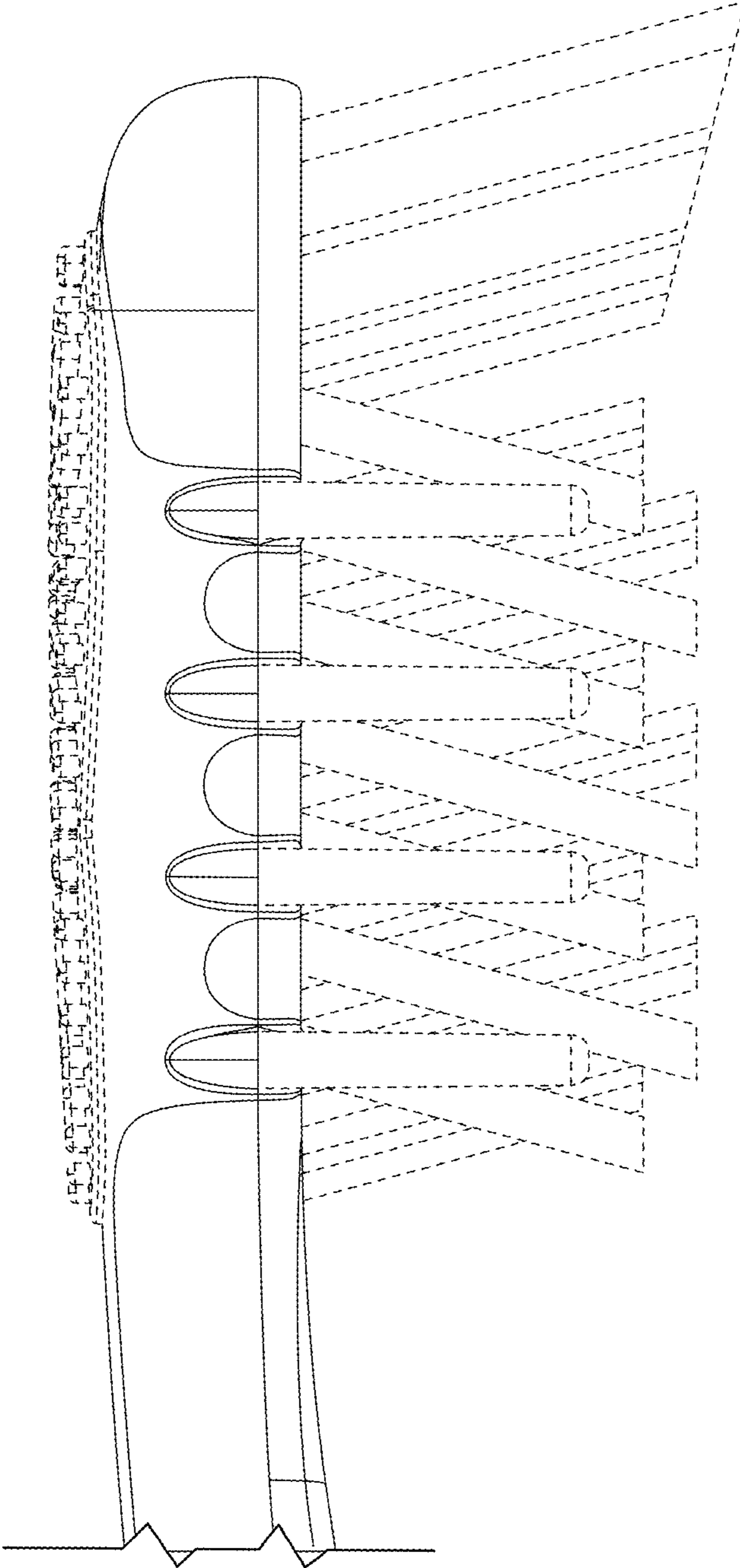


Fig. 4

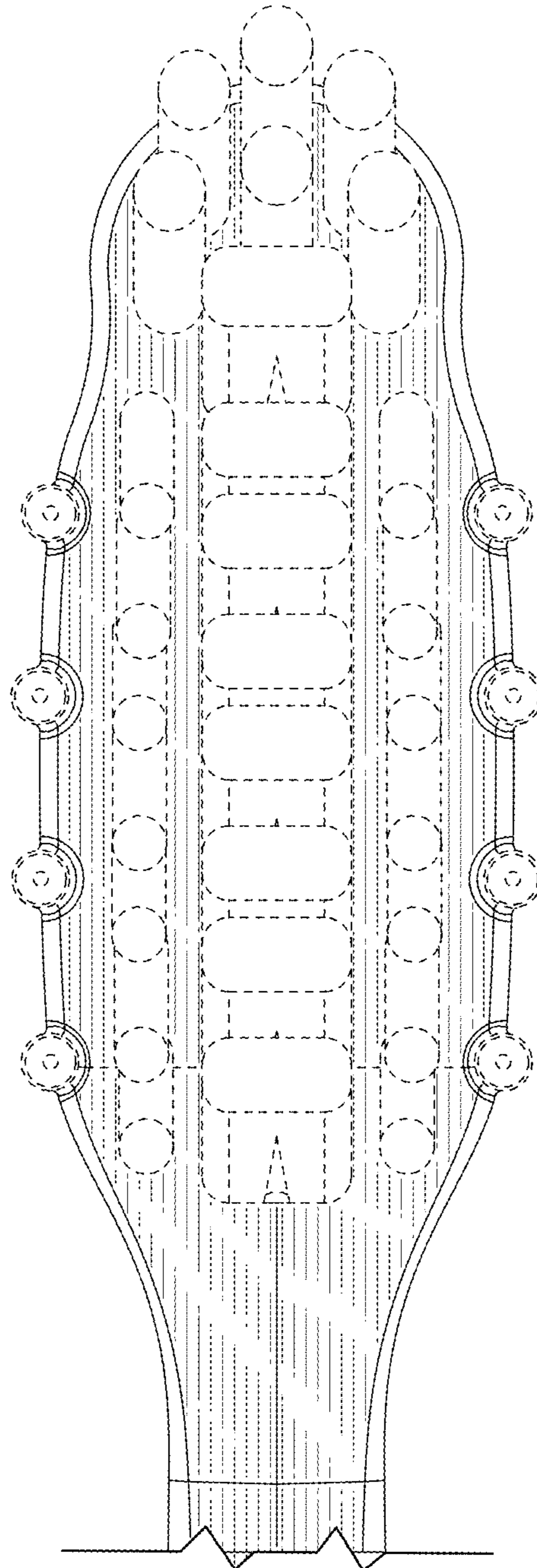


Fig. 5

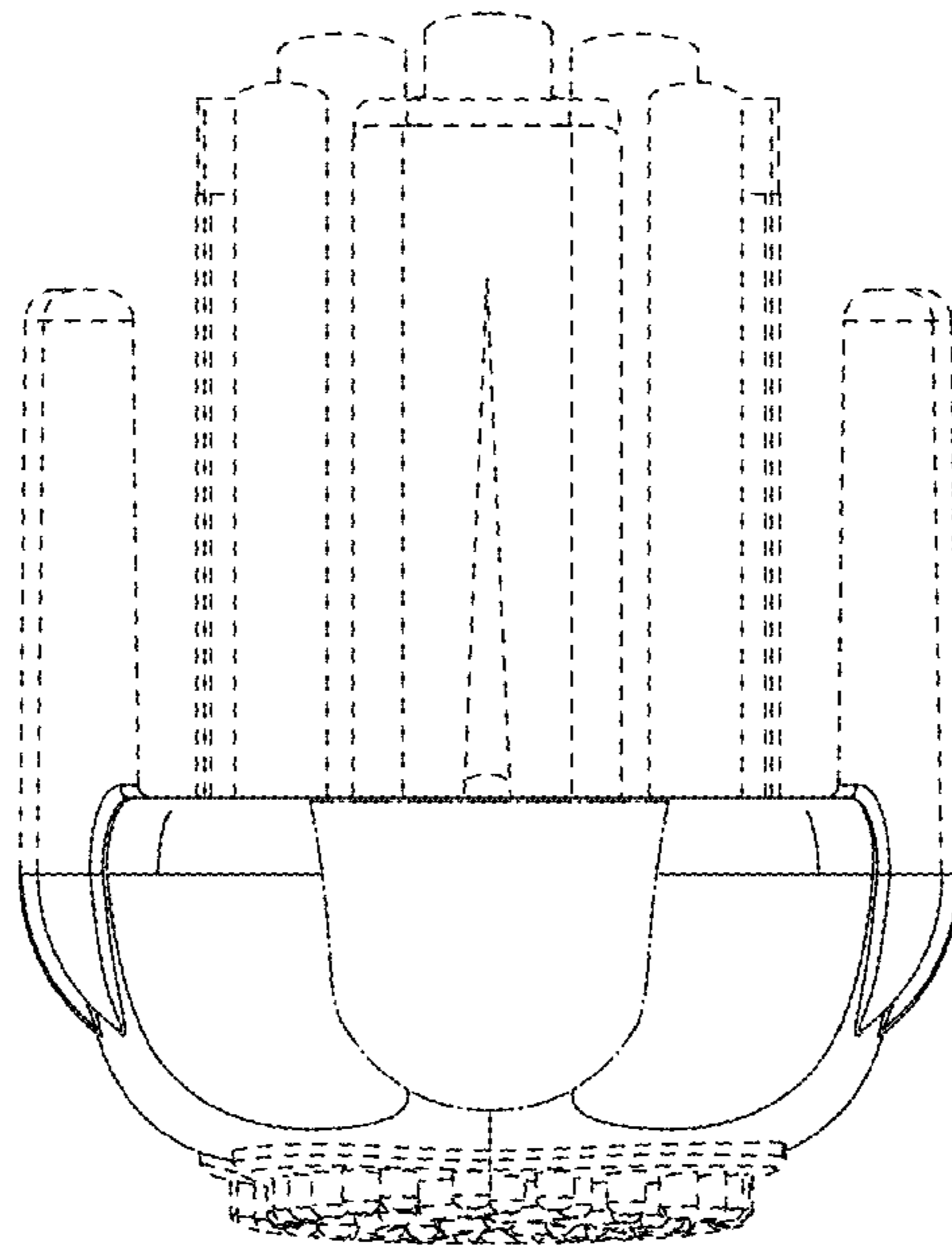


Fig. 6

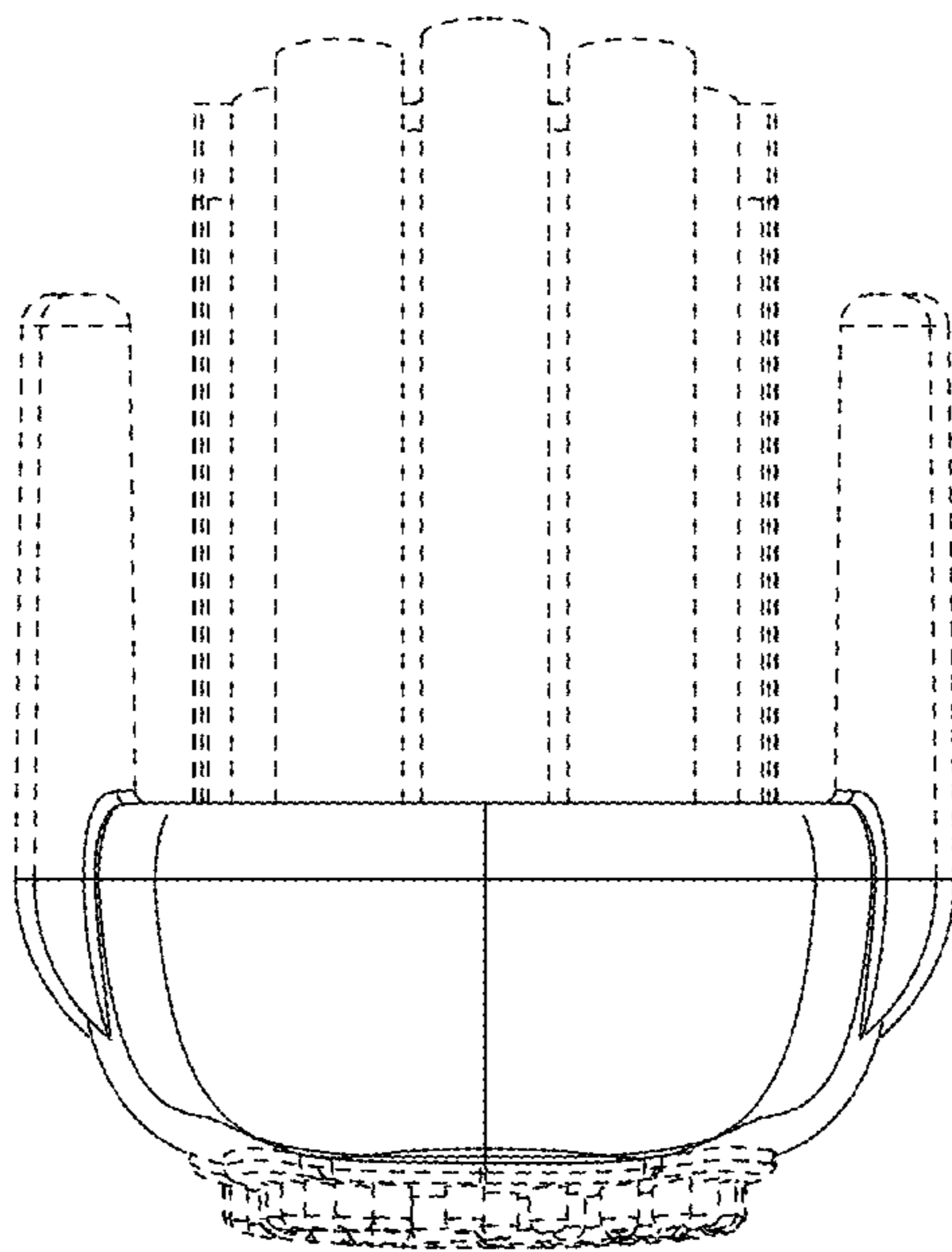


Fig. 7