



US00D808657S

(12) **United States Design Patent**
Gerbelle

(10) **Patent No.:** **US D808,657 S**

(45) **Date of Patent:** **** Jan. 30, 2018**

(54) **CLASP FOR HANDBAG**

(71) Applicant: **J. Choo Limited**, London (GB)

(72) Inventor: **Rina Gerbelle**, Paris (FR)

(73) Assignee: **J. Choo Limited**, London (GB)

(**) Term: **15 Years**

(21) Appl. No.: **29/577,821**

(22) Filed: **Sep. 15, 2016**

(30) **Foreign Application Priority Data**

Mar. 23, 2016 (EM) 003040054-0001

Mar. 23, 2016 (EM) 003040054-0002

(51) **LOC (11) Cl.** **03-01**

(52) **U.S. Cl.**
USPC **D3/324**

(58) **Field of Classification Search**
USPC D3/232, 233, 237, 318, 322, 324, 325,
D3/327; D8/356; D11/86, 87, 93, 218,
D11/220, 238, 241
CPC .. A44C 5/18; A44C 5/20; A44C 5/185; A44C
5/2009; A44C 5/2014; A45C 13/10
See application file for complete search history.

(56) **References Cited**

U.S. PATENT DOCUMENTS

- 1,736,095 A * 11/1929 Schmidt A45C 13/06
150/110
- 1,782,665 A * 11/1930 Rosenband A45C 13/10
24/598.1
- 1,934,353 A * 11/1933 Jones A45C 13/10
24/645
- D115,421 S 6/1939 Philip
- D130,874 S * 12/1941 Levine D3/243
- 4,222,595 A * 9/1980 Schmidt A45C 13/10
24/627
- D300,614 S * 4/1989 Geldwerth D11/216

- D342,923 S * 1/1994 Kirk D11/200
- D368,672 S * 4/1996 Goeden D11/200
- D451,677 S * 12/2001 Kim D3/324
- 6,338,260 B1 * 1/2002 Cousins A45C 13/10
190/120
- D471,716 S * 3/2003 Wolf D3/318
- D520,242 S * 5/2006 Gonzalez D3/323
- D521,239 S * 5/2006 Moon D3/324
- D532,200 S 11/2006 Gonzalez
- D533,719 S * 12/2006 Spade D3/324
- D558,979 S * 1/2008 Wu D3/318

(Continued)

OTHER PUBLICATIONS

U.S. Appl. No. 29/553,306, Gerbelle.

(Continued)

Primary Examiner — Susan E Krakower

Assistant Examiner — L. A. Grabenstetter

(74) *Attorney, Agent, or Firm* — Fross Zelnick Lehrman
& Zissu, P.C.; Lawrence E. Apolzon, Esq.

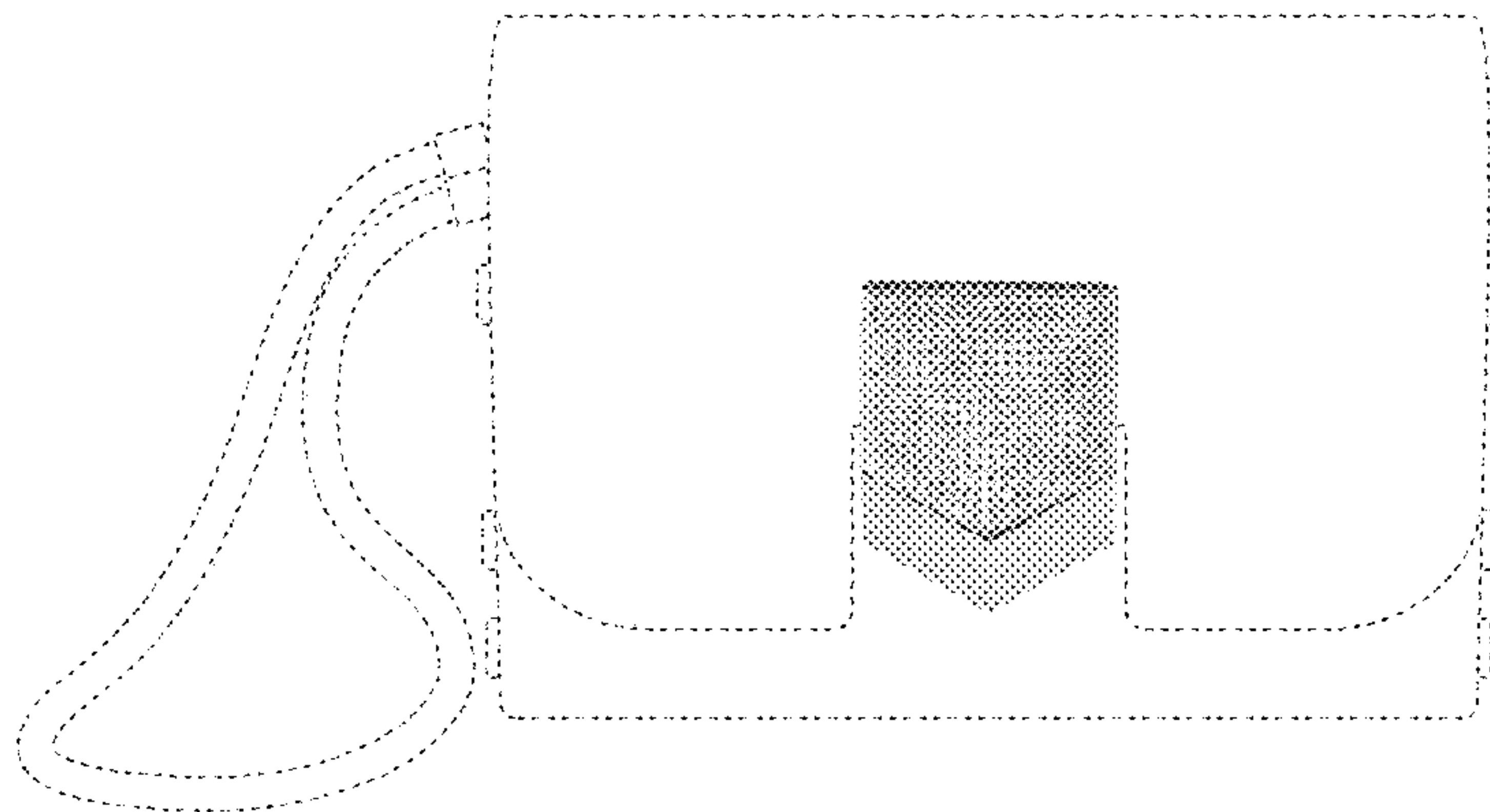
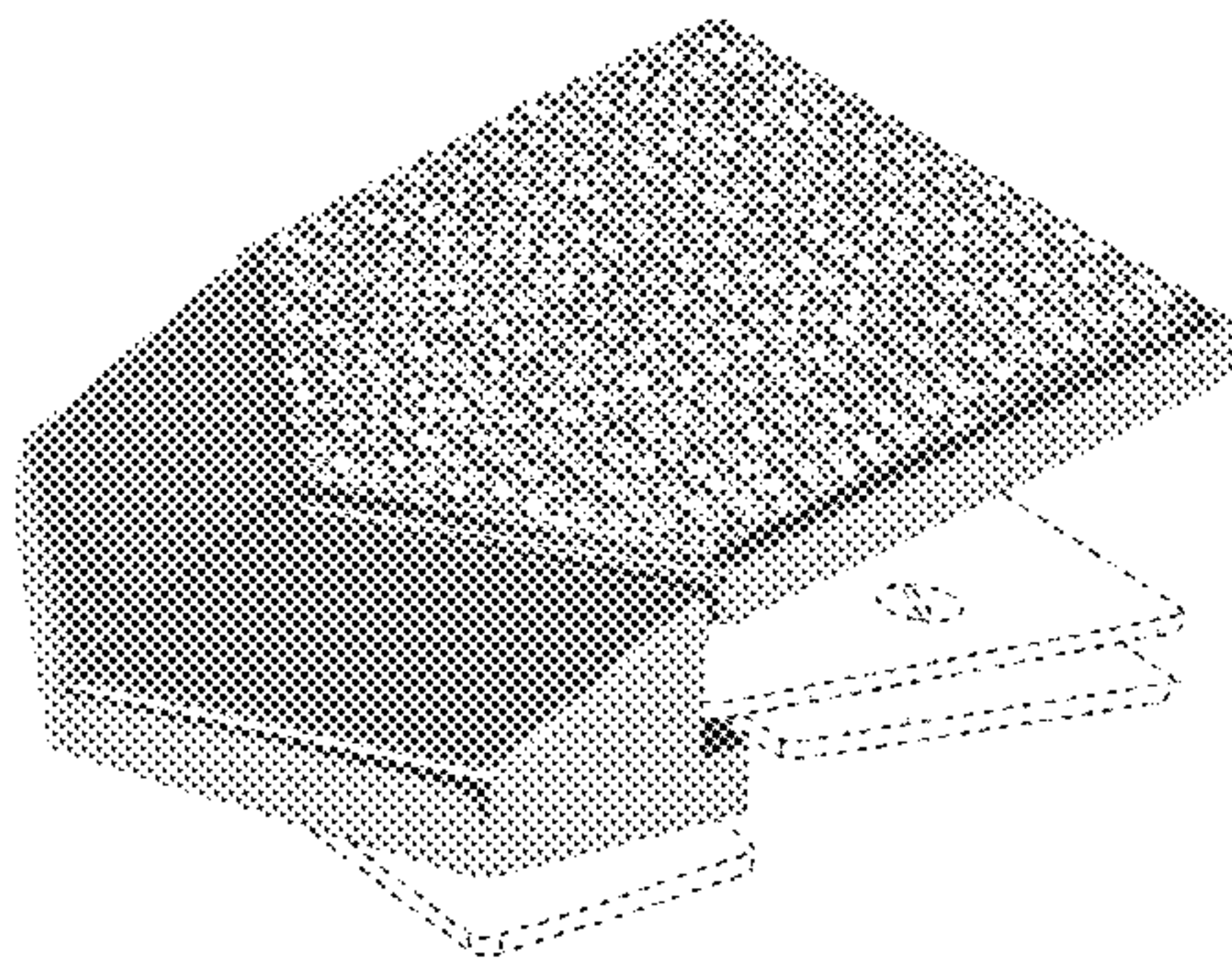
(57) **CLAIM**

The ornamental design for a clasp for handbag, as shown
and described.

DESCRIPTION

FIG. 1 is a front perspective view of a clasp for handbag showing my new design;
 FIG. 2 is a front view thereof;
 FIG. 3 is a perspective view of the clasp for handbag shown in FIG. 1, shown in the environment of a handbag;
 FIG. 4 is a front view thereof;
 FIG. 5 is a right side view thereof;
 FIG. 6 is a left side view thereof; and,
 FIG. 7 is a top view thereof.
 The broken lines showing of the pin, portions of the clasp, and portions of the handbag in the drawings show unclaimed subject matter.

1 Claim, 7 Drawing Sheets



(56)

References Cited

U.S. PATENT DOCUMENTS

D560,362 S * 1/2008 Watanabe D3/324
D582,668 S 12/2008 Gonzalez
D593,845 S * 6/2009 Boyko D8/356
D595,506 S * 7/2009 Hacker D3/318
D647,424 S * 10/2011 Kolasa D11/218
D674,193 S * 1/2013 Saavedra D3/322
D715,552 S 10/2014 Kuster
2011/0185768 A1* 8/2011 Pinchuk A44C 5/18
63/3.1

OTHER PUBLICATIONS

U.S. Appl. No. 29/552,724, Gerbelle.
U.S. Appl. No. 29/581,508, Amat.
Scan of (styledrops.com/handbags-14721.com) dated Sep. 20, 2006.

* cited by examiner

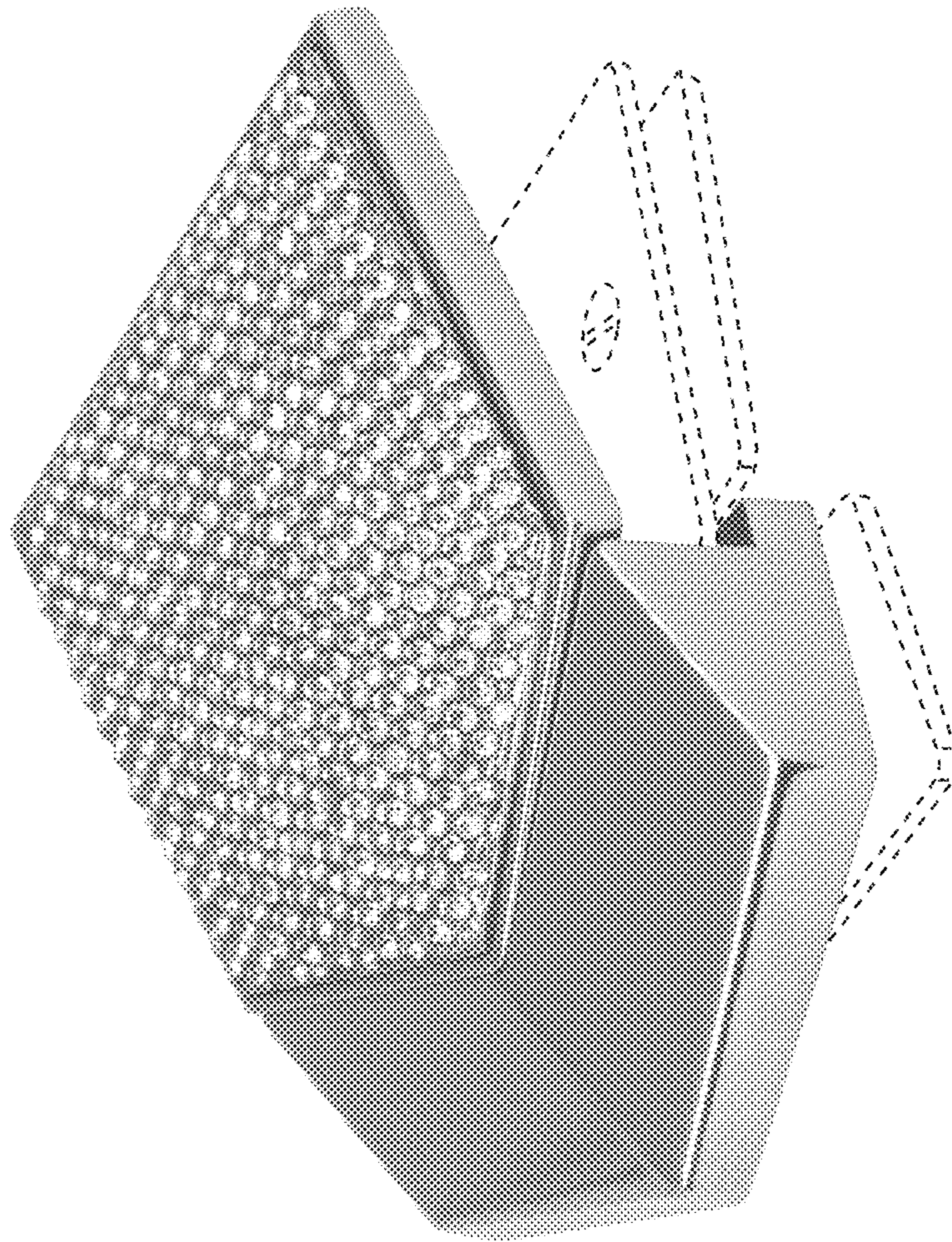


FIG. 1

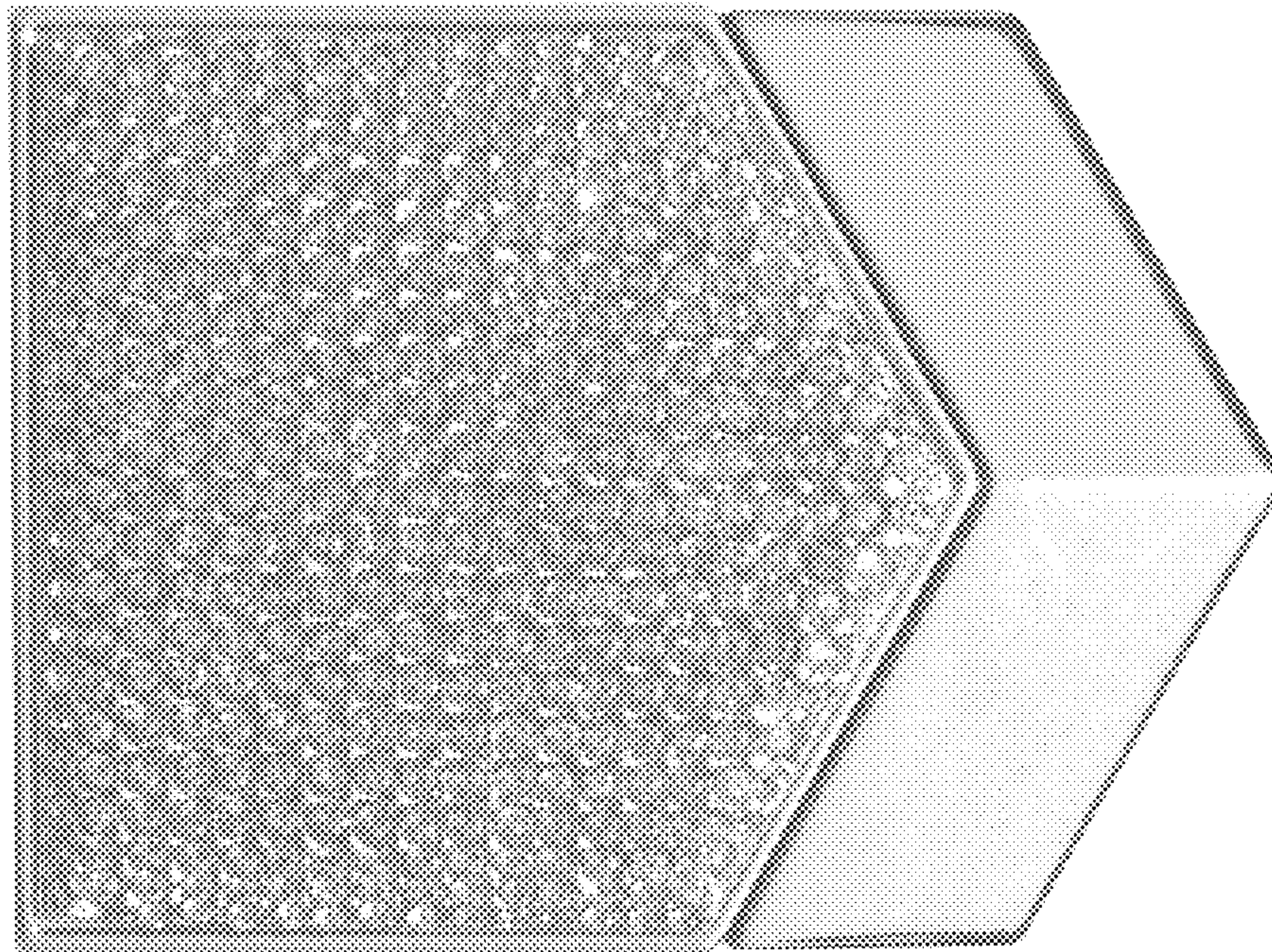


FIG. 2

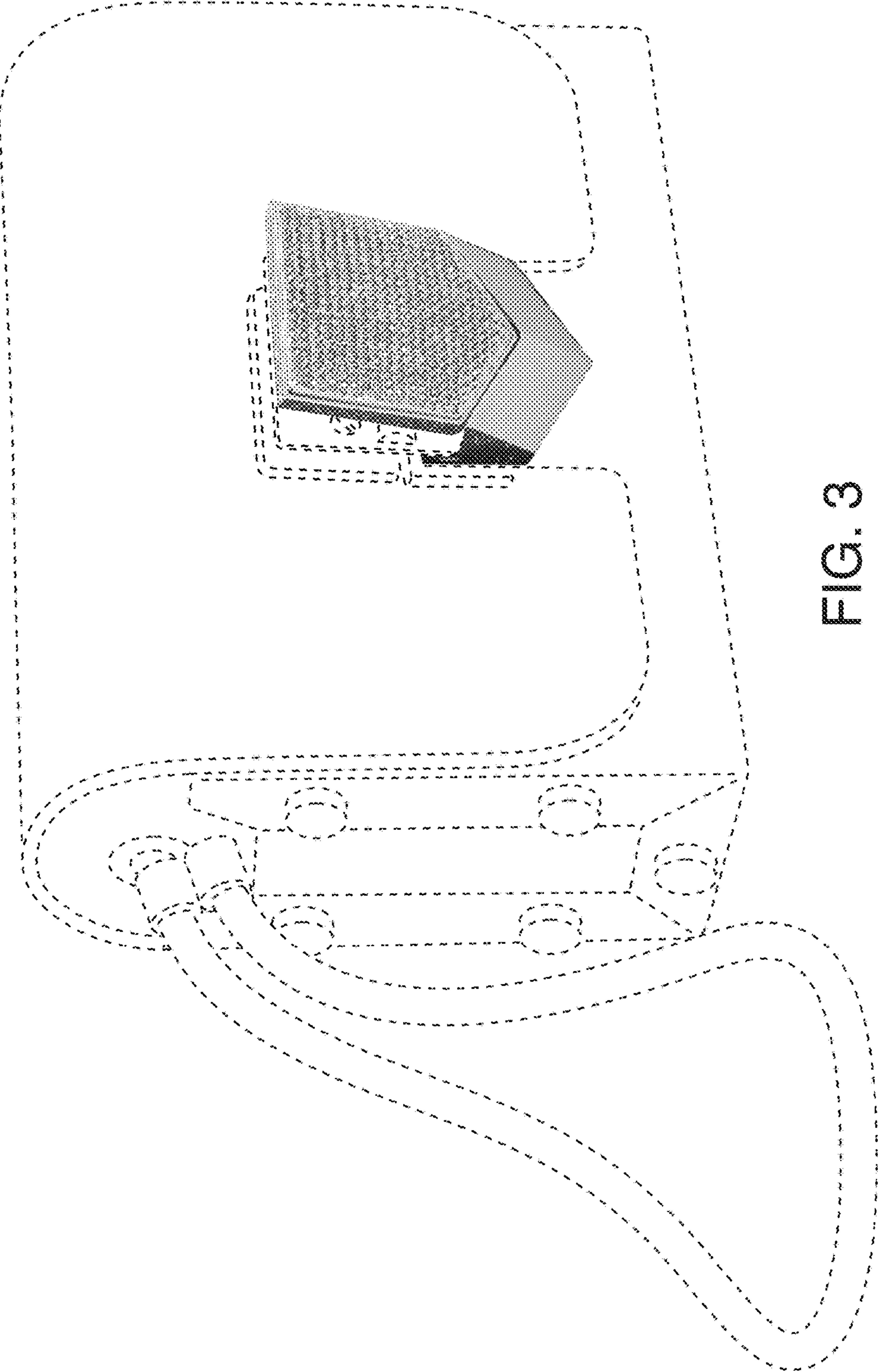


FIG. 3

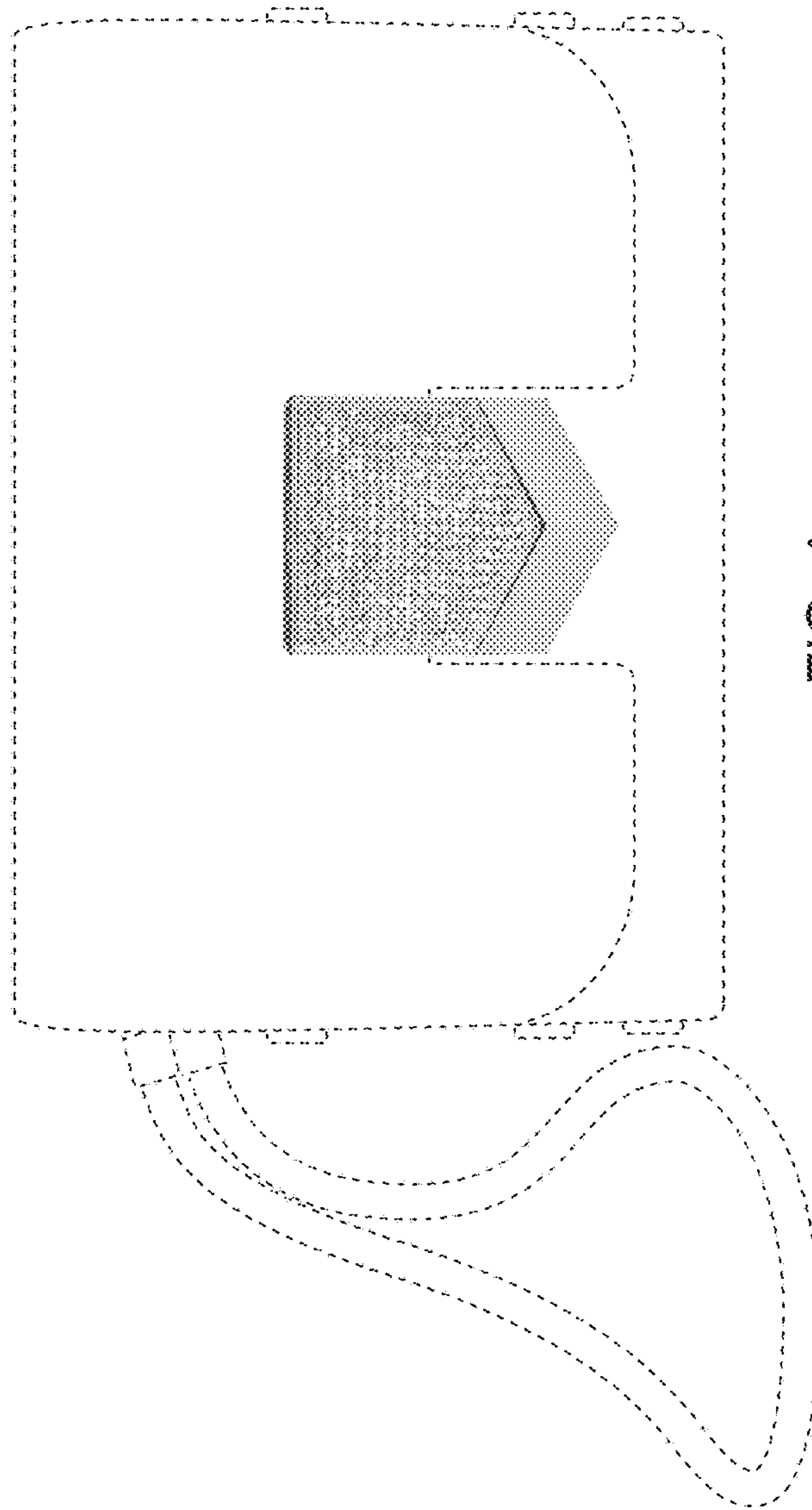


FIG. 4

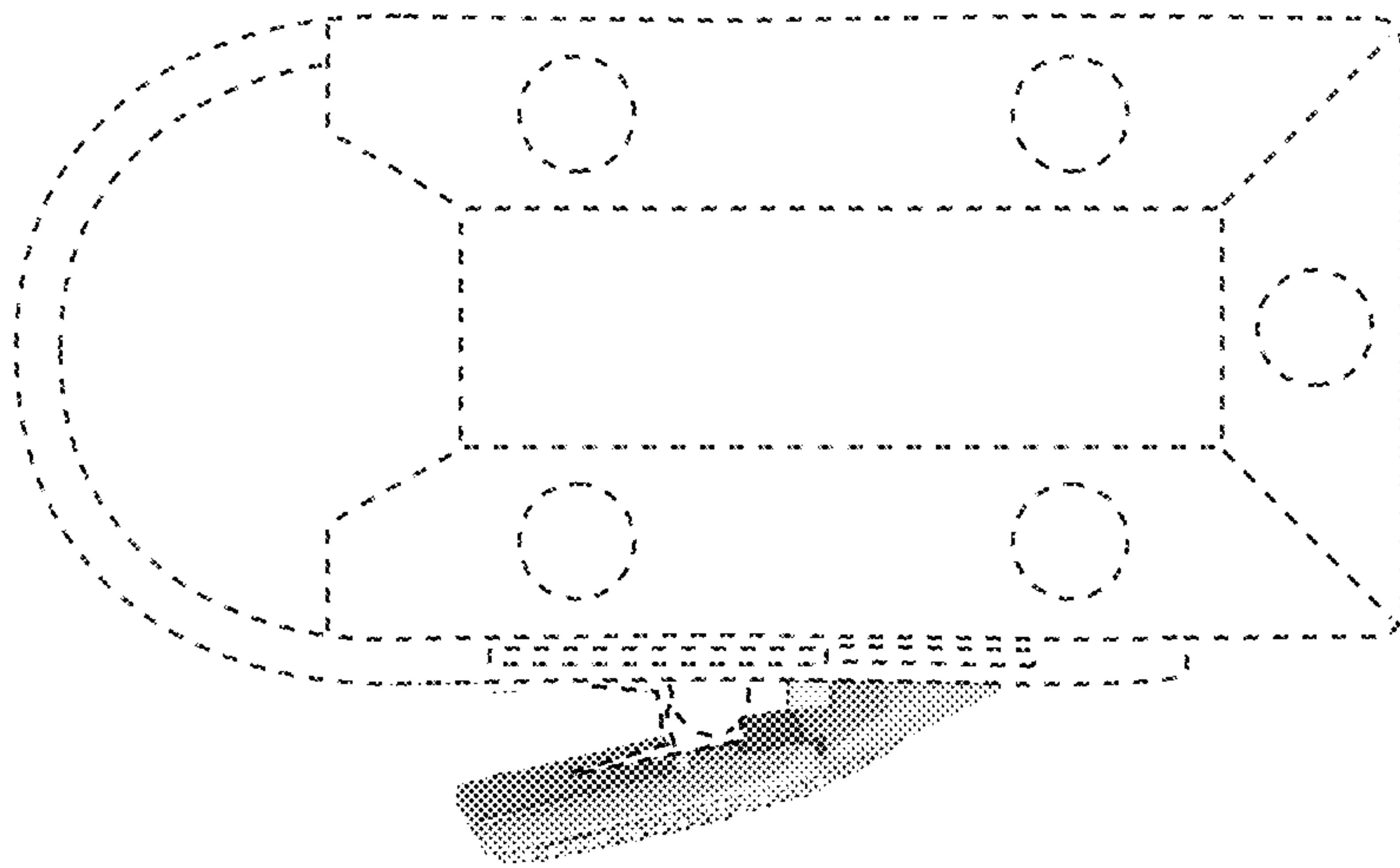


FIG. 5

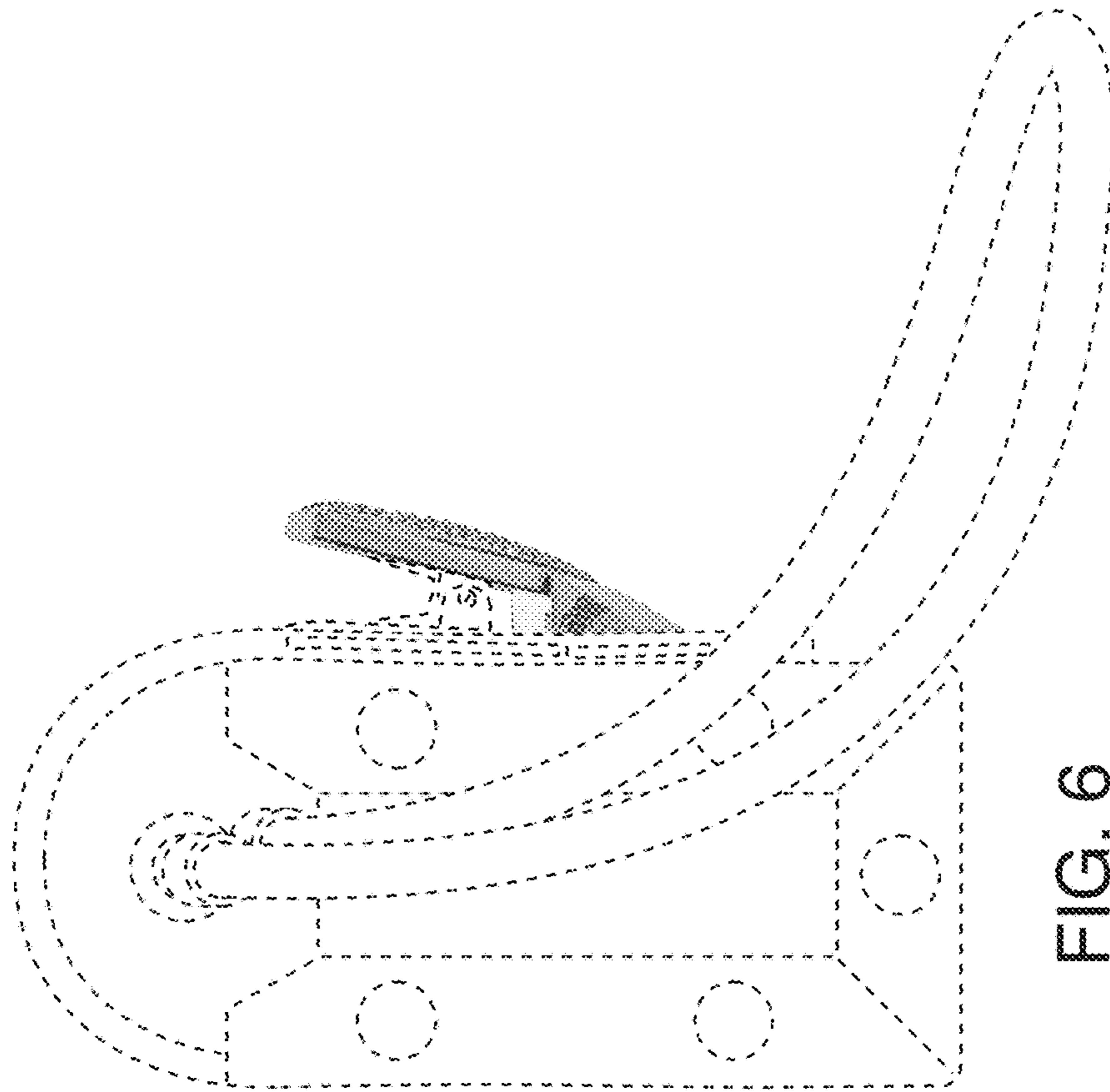


FIG. 6

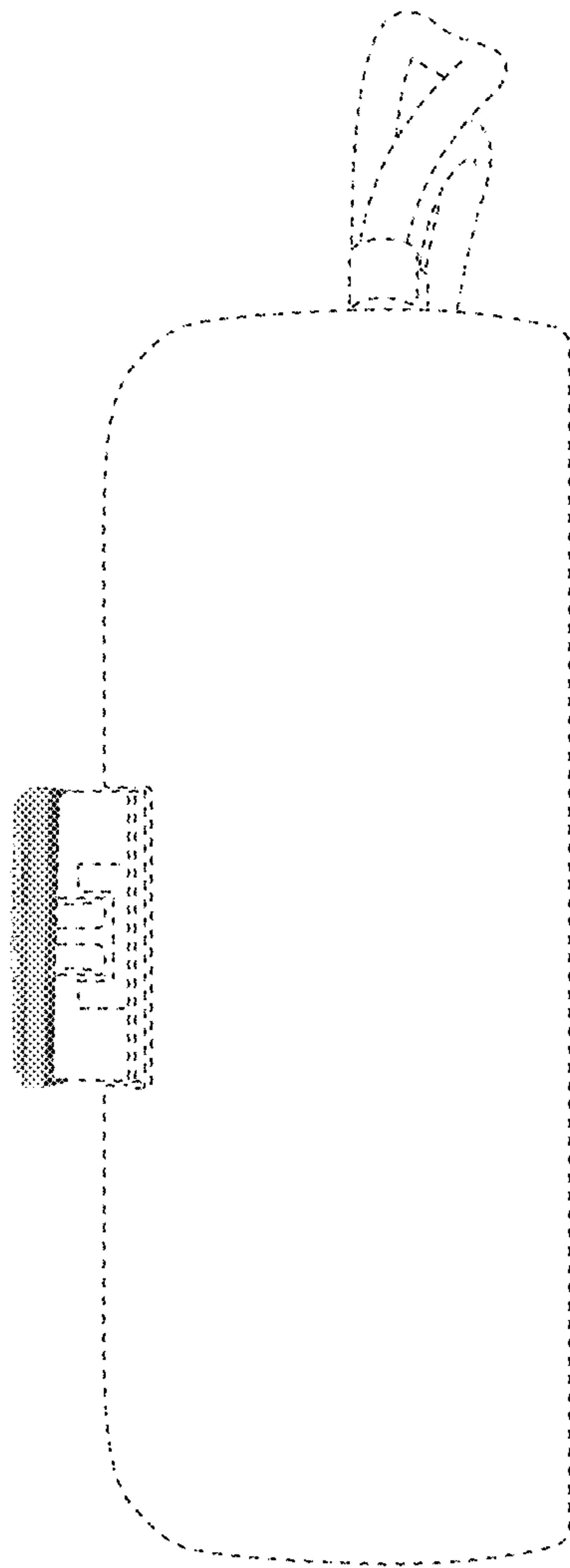


FIG. 7