

US00D808655S

(12) **United States Design Patent**
Seiders et al.

(10) **Patent No.:** **US D808,655 S**
(45) **Date of Patent:** **** Jan. 30, 2018**

- (54) **INSULATING DEVICE**
- (71) Applicant: **YETI Coolers, LLC**, Austin, TX (US)
- (72) Inventors: **Roy Joseph Seiders**, Rollingwood, TX (US); **Christopher M. Keller**, Austin, TX (US)
- (73) Assignee: **YETI Coolers, LLC**, Austin, TX (US)
- (**) Term: **15 Years**
- (21) Appl. No.: **29/604,940**
- (22) Filed: **May 22, 2017**

Related U.S. Application Data

- (63) Continuation of application No. 29/503,060, filed on Sep. 23, 2014, now Pat. No. Des. 787,187.
- (51) **LOC (11) Cl.** **03-01**
- (52) **U.S. Cl.**
USPC **D3/318**
- (58) **Field of Classification Search**
USPC D7/601–607, 705, 387; D3/215, 216, D3/217, 221, 225, 226, 231, 232, 233, D3/245, 246, 267, 268, 273, 276, 283, D3/285, 287, 289, 303, 307, 315, 318, D3/320, 322, 324, 327
CPC B65D 29/00; B65D 29/02; B65D 81/3888; B65D 81/38; A45C 15/00; F25D 3/08
See application file for complete search history.

(56) **References Cited**

U.S. PATENT DOCUMENTS

D210,994 S	12/1878	Carnagy
1,949,677 A	3/1934	Crawford
2,119,621 A	6/1938	Ferrone
2,253,598 A	8/1941	Africa
2,289,254 A	7/1942	Eagles
2,522,381 A	9/1950	Kramer
2,575,191 A	11/1951	Seipp

2,633,223 A	3/1953	Zeamer
2,661,785 A	12/1953	Daust
2,685,385 A	8/1954	Kuss
2,808,093 A	10/1957	Gilman
2,954,891 A	10/1960	Imber

(Continued)

FOREIGN PATENT DOCUMENTS

BE	1015808 A6	9/2005
CA	2243820 A1	1/2000

(Continued)

OTHER PUBLICATIONS

Stopper Dry Bag, <http://www.seatosummit.com/products/display/181>, published date unknown, but prior to the filing date of the present application, Sea to Summit, United States.
(Continued)

Primary Examiner — Rosemary K Tarcza
Assistant Examiner — Christy M Nemeth
(74) *Attorney, Agent, or Firm* — Banner & Witcoff, Ltd.

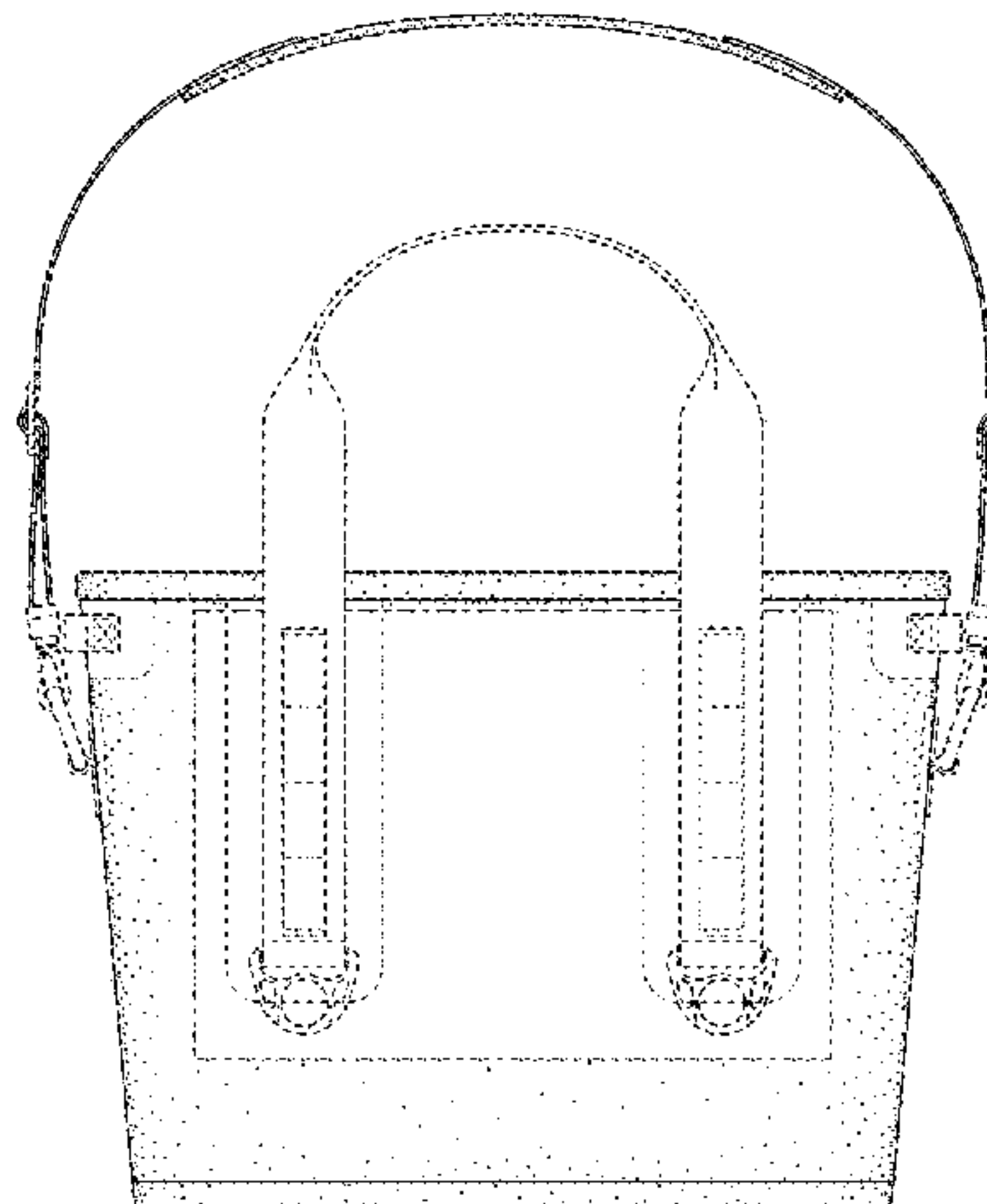
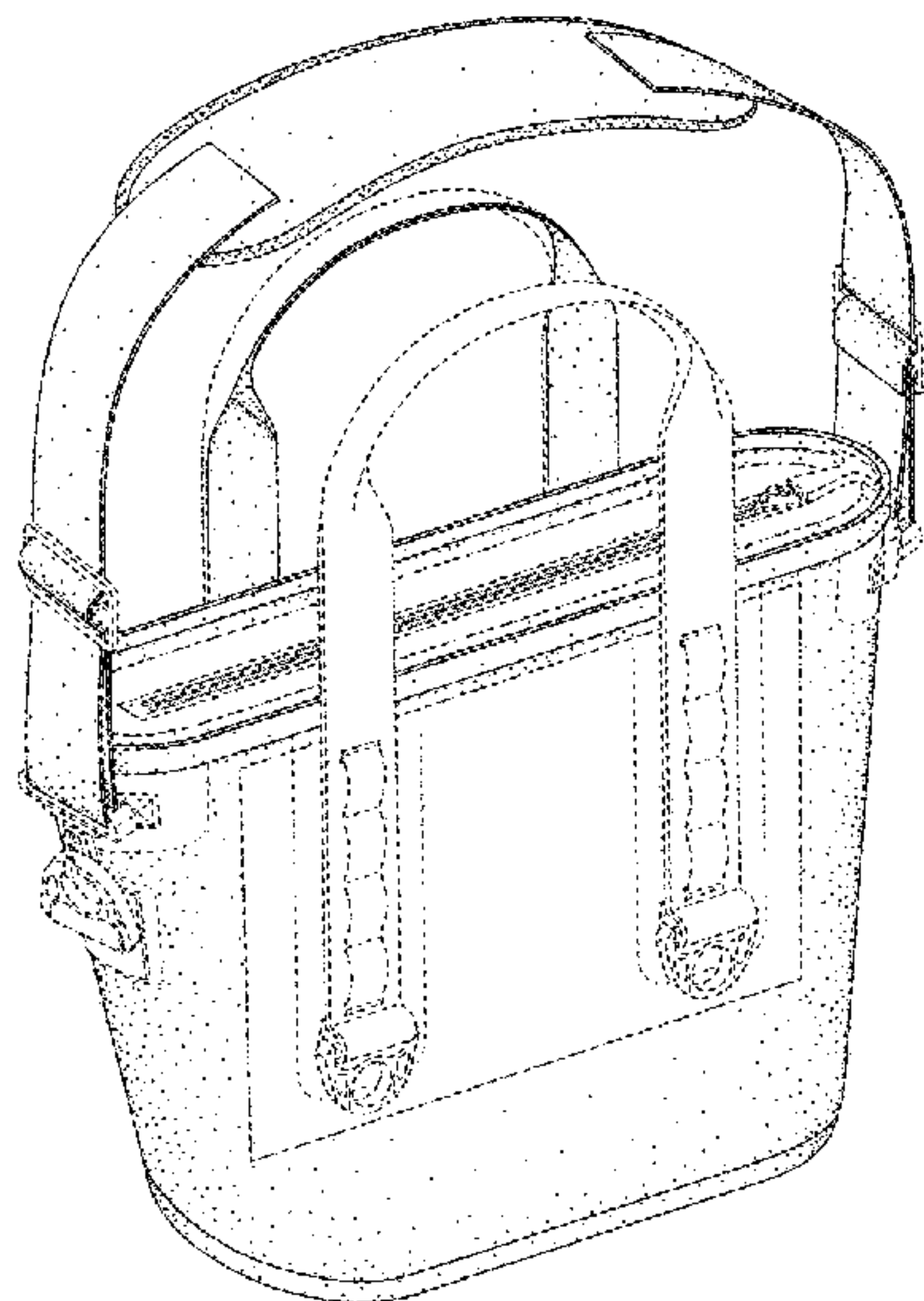
(57) **CLAIM**

The ornamental design for an insulating device, as shown and described.

DESCRIPTION

FIG. 1 is a front perspective view of an insulating device showing our new design;
FIG. 2 is a front view thereof;
FIG. 3 is a rear view thereof;
FIG. 4 is a top view thereof; and,
FIG. 5 is a bottom view thereof.
The dash-dot broken lines in the drawings illustrate boundaries of the claimed design. The dashed broken lines in the drawings illustrate portions of the insulating device that form no part of the claimed design.

1 Claim, 4 Drawing Sheets



(56)

References Cited

U.S. PATENT DOCUMENTS

3,066,846 A	12/1962	Domigan	5,564,568 A	10/1996	Rankin, Sr.
3,454,197 A	7/1969	Thompson	5,569,401 A	10/1996	Gilliland et al.
3,801,425 A	4/1974	Cook	5,595,320 A	1/1997	Aghassipour
3,814,288 A	6/1974	Westrich	D383,360 S	9/1997	Melk
3,905,511 A	9/1975	Groendal	5,680,944 A	10/1997	Rueter
4,125,212 A	11/1978	Courchesne	5,680,958 A	10/1997	Mann et al.
4,127,155 A	11/1978	Hydom	D386,310 S	11/1997	Smith
4,194,627 A	3/1980	Christensen	5,687,874 A	11/1997	Omori et al.
4,196,817 A	4/1980	Moser	D387,249 S	12/1997	Mogil
4,197,890 A	4/1980	Simko	5,706,969 A	1/1998	Yamada et al.
4,211,091 A	7/1980	Campbell	D394,553 S	5/1998	Lin
4,248,366 A	2/1981	Christiansen	D395,555 S	6/1998	Ursitti
4,344,303 A	8/1982	Kelly, Jr.	5,758,513 A	6/1998	Smith
4,372,453 A	2/1983	Branscum	D397,273 S	8/1998	Collie
4,375,828 A	3/1983	Biddison	5,816,709 A	10/1998	Demus
4,399,668 A	8/1983	Williamson	D401,063 S	11/1998	Yamamoto et al.
4,468,933 A	9/1984	Christopher	5,842,571 A	12/1998	Rausch
4,513,895 A	4/1985	Leslie	5,845,514 A	12/1998	Clarke et al.
4,537,313 A	8/1985	Workman	5,848,734 A	12/1998	Melk
4,541,540 A	9/1985	Gretz et al.	5,857,778 A	1/1999	Ells
D281,122 S	10/1985	Barnes et al.	5,909,821 A	6/1999	Guridi
D281,546 S	12/1985	Bradshaw	5,913,448 A	6/1999	Mann et al.
4,571,338 A	2/1986	Okonogi et al.	5,915,580 A	6/1999	Melk
4,595,101 A	6/1986	Rivera	5,931,583 A	8/1999	Collie
4,596,370 A	6/1986	Adkins	5,988,468 A	11/1999	Murdoch et al.
4,598,746 A	7/1986	Rabinowitz	5,988,879 A	11/1999	Bredderman et al.
4,679,242 A	7/1987	Brockhaus	6,019,245 A	2/2000	Foster et al.
4,708,254 A	11/1987	Byrns	6,027,249 A	2/2000	Bielinski
4,746,028 A	5/1988	Bagg	6,029,847 A	2/2000	Mahoney, Jr. et al.
4,759,077 A	7/1988	Leslie	D424,417 S	5/2000	Axelsson
4,765,476 A	8/1988	Lee	6,059,140 A	5/2000	Hicks
4,796,937 A	1/1989	Andrea	6,065,873 A	5/2000	Fowler
4,802,344 A	2/1989	Livingston et al.	6,068,402 A	5/2000	Freese et al.
4,802,602 A	2/1989	Evans et al.	6,073,796 A	6/2000	Mogil
4,812,054 A	3/1989	Kirkendall	6,082,589 A	7/2000	Ash et al.
4,826,060 A	5/1989	Hollingsworth	6,082,896 A	7/2000	Pulli
4,858,444 A	8/1989	Scott	6,089,038 A	7/2000	Tattam
4,867,214 A	9/1989	Fuller	6,092,266 A	7/2000	Lee
4,886,183 A	12/1989	Fleming	6,128,915 A	10/2000	Wagner
4,941,603 A	7/1990	Creamer et al.	6,145,715 A	11/2000	Slonim
4,984,906 A	1/1991	Little	6,149,305 A	11/2000	Fier
4,986,089 A	1/1991	Raab	6,193,034 B1	2/2001	Fournier
4,989,418 A	2/1991	Hewlett	6,220,473 B1	4/2001	Lehman et al.
5,004,091 A	4/1991	Natho et al.	6,234,677 B1	5/2001	Mogil
5,005,679 A	4/1991	Hjelle	6,237,776 B1	5/2001	Mogil
5,042,664 A	8/1991	Shyr et al.	6,253,570 B1	7/2001	Lustig
5,048,734 A	9/1991	Long	6,276,579 B1	8/2001	DeLoach
5,062,557 A	11/1991	Mahvi et al.	D447,667 S *	9/2001	Schneider D3/287
5,190,376 A	3/1993	Book	6,286,709 B1	9/2001	Hudson
5,216,900 A	6/1993	Jones	6,296,134 B1	10/2001	Cardinale
5,221,016 A	6/1993	Karpal	6,296,165 B1	10/2001	Mears
5,237,838 A	8/1993	Merritt-Munson	6,298,993 B1 *	10/2001	Kalozdi A45C 3/00 150/106
5,244,136 A	9/1993	Collaso	6,336,577 B1	1/2002	Harris et al.
D339,979 S	10/1993	Wehrley	6,353,215 B1	3/2002	Revels et al.
D340,387 S	10/1993	Melk	D455,934 S	4/2002	Culp et al.
D340,621 S	10/1993	Melk	6,409,066 B1	6/2002	Schneider et al.
D340,840 S	11/1993	Melk	6,422,032 B1	7/2002	Greene
5,269,368 A	12/1993	Schneider et al.	D464,235 S	10/2002	Jeong
D343,992 S	2/1994	Melk	D465,134 S	11/2002	Joss
5,297,870 A	3/1994	Weldon	6,481,239 B2	11/2002	Hodosh et al.
5,313,807 A	5/1994	Owen	D466,291 S	12/2002	Ng
5,325,991 A	7/1994	Williams	6,495,194 B2	12/2002	Sato et al.
5,354,131 A	10/1994	Mogil	6,505,479 B2	1/2003	Defelice et al.
5,355,684 A	10/1994	Guice	6,511,695 B1	1/2003	Paquin et al.
5,398,848 A	3/1995	Padamsee	6,513,661 B1	2/2003	Mogil
5,400,610 A	3/1995	Macedo	D472,431 S	4/2003	Spence, Jr.
5,403,095 A	4/1995	Melk	6,554,155 B1	4/2003	Beggins
5,421,172 A	6/1995	Jones	D474,649 S	5/2003	Spence, Jr.
5,447,764 A	9/1995	Langford	6,582,124 B2	6/2003	Mogil
5,490,396 A	2/1996	Morris	D476,481 S	7/2003	Gilbert
D370,599 S	6/1996	Christopher et al.	6,595,687 B2	7/2003	Godshaw et al.
D371,052 S *	6/1996	Melk D7/607	D478,782 S *	8/2003	Li D7/607
5,529,217 A	6/1996	Siegel	6,604,649 B1	8/2003	Campi
D373,515 S	9/1996	Melk	6,605,311 B2	8/2003	Villagran et al.
5,562,228 A	10/1996	Ericson	6,619,447 B1	9/2003	Garcia, III et al.
			6,629,430 B2	10/2003	Mills et al.
			D482,241 S	11/2003	Tyler
			6,652,933 B2	11/2003	Hall

(56)

References Cited

U.S. PATENT DOCUMENTS

6,655,543 B2	12/2003	Beuke		8,043,004 B2 *	10/2011	Mogil	A45C 5/02 206/541
D485,131 S	1/2004	Lanman et al.		D648,532 S	11/2011	Sosnovsky	
D485,732 S	1/2004	Lanman et al.		D650,169 S *	12/2011	Klifa	D3/245
D486,038 S	2/2004	Lanman et al.		8,096,442 B2	1/2012	Ramundi	
6,729,758 B1	5/2004	Carter		8,191,747 B2	6/2012	Pruchnicki	
D492,160 S	6/2004	Lanman et al.		D664,261 S	7/2012	Kravitz et al.	
D497,518 S	10/2004	Bellofatto, Jr. et al.		8,209,995 B2	7/2012	Kieling et al.	
6,799,693 B2	10/2004	Meza		D666,896 S	9/2012	Pinholster, Jr. et al.	
D498,924 S	11/2004	Karl		D667,043 S	9/2012	Couch, III	
D502,599 S	3/2005	Cabana et al.		8,281,950 B2	10/2012	Potts et al.	
D503,279 S	3/2005	Smith		D673,363 S	1/2013	Crandall	
6,874,356 B2	4/2005	Kornfeldt et al.		8,424,713 B2	4/2013	Bolland	
D506,645 S	6/2005	Bellofatto, Jr. et al.		D682,635 S	5/2013	Boroski	
D512,274 S	12/2005	Cabey		8,453,899 B1	6/2013	Calkin	
D515,362 S	2/2006	Chan		D686,412 S *	7/2013	Guichot	D3/232
D517,801 S	3/2006	Woo		8,474,640 B2	7/2013	Armstrong	
D520,306 S	5/2006	Peterson		8,516,848 B2	8/2013	White et al.	
D523,243 S	6/2006	Nashmy		8,544,678 B1	10/2013	Hughes	
D527,226 S	8/2006	Maldonado		8,573,002 B2	11/2013	Ledoux et al.	
D530,089 S	10/2006	Silverman		D695,568 S *	12/2013	Hayes	D3/233
7,153,025 B1	12/2006	Jackson et al.		8,622,235 B2	1/2014	Suchecki	
D534,352 S *	1/2007	Delafontaine	D3/246	D699,940 S	2/2014	Robert	
D534,771 S	1/2007	Zorn		D699,941 S	2/2014	Robert	
D535,820 S *	1/2007	Kamiya	D3/246	D703,946 S	5/2014	Tweedie	
7,162,890 B2	1/2007	Mogil et al.		8,720,739 B2	5/2014	Bollis	
D539,033 S	3/2007	Cassegrain		D710,085 S *	8/2014	Szewczyk	D3/217
7,201,285 B2	4/2007	Beggins		D711,096 S	8/2014	Hanna	
7,207,716 B2	4/2007	Buchanan et al.		D712,555 S	9/2014	Berg	
7,219,814 B2	5/2007	Lown et al.		8,827,109 B1	9/2014	Sheehan	
7,240,513 B1	7/2007	Conforti		8,844,756 B2	9/2014	Beyburg	
D548,459 S *	8/2007	Harvey	D3/246	D715,544 S	10/2014	Levine	
7,264,134 B2	9/2007	Tulp		D718,931 S	12/2014	Brundl	
D557,667 S	12/2007	Kawamura et al.		D719,303 S	12/2014	Anderson	
7,302,810 B2	12/2007	McCrary		8,899,071 B2	12/2014	Mogil et al.	
D560,102 S	1/2008	Sumter		D725,908 S	4/2015	Zwetzig	
7,313,927 B2	1/2008	Barker		D728,942 S	5/2015	Byham	
7,344,028 B2	3/2008	Hanson		D732,348 S *	6/2015	Seiders	D3/246
D570,603 S	6/2008	Wu et al.		D732,349 S *	6/2015	Seiders	D3/246
D573,422 S	7/2008	Tagliati et al.		D732,350 S *	6/2015	Seiders	D3/246
D574,667 S	8/2008	Grabijas, III et al.		D732,899 S *	6/2015	Seiders	D3/246
D578,401 S	10/2008	Perry et al.		D734,643 S	7/2015	Boroski	
D582,151 S *	12/2008	Gonzalez	D3/232	D734,992 S	7/2015	Boroski	
7,481,065 B2	1/2009	Krieger		9,084,463 B2	7/2015	Merrill	
D598,194 S	8/2009	Turvey et al.		D738,108 S	9/2015	Adler et al.	
7,597,478 B2	10/2009	Pruchnicki et al.		D739,654 S *	9/2015	Brouard	D3/276
7,634,919 B2	12/2009	Bernhard, Jr. et al.		9,139,352 B2 *	9/2015	Seiders	B65D 81/3858
D607,697 S	1/2010	Whitlock et al.		9,146,051 B2	9/2015	Kamin et al.	
D608,096 S	1/2010	Noble		D747,104 S	1/2016	Ford	
D608,159 S	1/2010	Whitlock et al.		9,226,558 B2	1/2016	Armstrong	
D610,795 S	3/2010	Dejadon		9,254,022 B2	2/2016	Meldeau et al.	
D611,706 S	3/2010	Angles et al.		9,254,023 B2	2/2016	Su et al.	
7,682,080 B2	3/2010	Mogil		9,265,318 B1	2/2016	Williams et al.	
D617,560 S	6/2010	Wu		D752,347 S *	3/2016	Seiders	D3/318
7,730,739 B2	6/2010	Fuchs		9,271,553 B2	3/2016	Ponx	
D618,966 S	7/2010	Koehler et al.		9,290,313 B2	3/2016	De Lesseux et al.	
D619,423 S *	7/2010	Koehler	D7/607	D752,860 S *	4/2016	Barilaro	D3/232
D619,854 S	7/2010	Koehler et al.		D756,109 S	5/2016	Hayashi	
D619,855 S *	7/2010	Koehler	D7/607	D756,638 S *	5/2016	Frisoni	D3/246
D620,707 S *	8/2010	Mogil	D3/246	9,366,467 B2	6/2016	Kiedaisch et al.	
D620,708 S	8/2010	Sanz		D760,494 S	7/2016	Harvey-Pankey	
7,775,388 B2	8/2010	Murrer, III		D761,561 S	7/2016	Cheng	
7,784,759 B2	8/2010	Farrell		D763,570 S	8/2016	Potts	
7,791,003 B2	9/2010	Lockhart et al.		D764,791 S	8/2016	Patel	
7,811,620 B2	10/2010	Merrill et al.		D770,763 S	11/2016	Joo et al.	
7,815,069 B1	10/2010	Bellofatto et al.		D772,562 S	11/2016	Petre	
D627,199 S *	11/2010	Pruchnicki	A45C 7/0077 D7/607	D786,559 S *	5/2017	Seiders	D3/318
D629,612 S	12/2010	Weldon		D786,560 S *	5/2017	Seiders	D3/318
7,874,177 B2	1/2011	Azamy		D786,561 S *	5/2017	Seiders	D3/318
7,900,816 B2	3/2011	Kastanek et al.		D787,187 S *	5/2017	Seiders	D3/318
D638,220 S	5/2011	Chu et al.		D797,454 S *	9/2017	Seiders	D3/318
D642,870 S	8/2011	Whitlock et al.		D797,455 S *	9/2017	Seiders	D3/318
D645,662 S	9/2011	Perez		2002/0197369 A1	12/2002	Modler	
8,016,090 B2	9/2011	McCoy et al.		2003/0070447 A1	4/2003	Tanaka	
				2003/0080133 A1	5/2003	Butler	
				2003/0106895 A1	6/2003	Kalal	
				2003/0136702 A1	7/2003	Redzisz et al.	
				2003/0175394 A1	9/2003	Modler	
				2004/0004111 A1	1/2004	Cardinale	

(56)

References Cited

U.S. PATENT DOCUMENTS

2004/0028296 A1 2/2004 Meli
 2004/0035143 A1* 2/2004 Mogil A45C 7/0077
 62/457.2
 2004/0074936 A1 4/2004 McDonald
 2004/0094589 A1 5/2004 Fricano
 2004/0144783 A1 7/2004 Anderson et al.
 2004/0149600 A1 8/2004 Wolter et al.
 2004/0164084 A1 8/2004 Cooper
 2004/0237266 A1 12/2004 Wang
 2005/0016895 A1 1/2005 Glenn
 2005/0045520 A1 3/2005 Johnson
 2005/0045521 A1 3/2005 Johnson et al.
 2005/0183446 A1 8/2005 Fuchs
 2005/0196510 A1 9/2005 Walters
 2005/0262871 A1 12/2005 Bailey-Weston
 2005/0263528 A1 12/2005 Maldonado et al.
 2005/0279124 A1 12/2005 Maldonado
 2006/0007266 A1 1/2006 Silverbrook
 2006/0102497 A1 5/2006 Wulf
 2006/0151533 A1 7/2006 Simunovic et al.
 2006/0201979 A1 9/2006 Achilles
 2006/0240159 A1 10/2006 Cash et al.
 2007/0012593 A1 1/2007 Kitchens et al.
 2007/0148305 A1 6/2007 Sherwood et al.
 2007/0148307 A1 6/2007 Sherwood et al.
 2007/0217187 A1 9/2007 Blakely et al.
 2007/0221693 A1 9/2007 Moore
 2007/0237432 A1 10/2007 Mogil
 2007/0261977 A1 11/2007 Sakai
 2007/0274613 A1* 11/2007 Pruchnicki A45C 7/0077
 383/110
 2007/0290816 A1 12/2007 Bedard
 2008/0038424 A1 2/2008 Krusemann
 2008/0073364 A1 3/2008 Simmons
 2008/0105282 A1 5/2008 Fernholz et al.
 2008/0128421 A1 6/2008 Ulbrand et al.
 2008/0160149 A1 7/2008 Nasrallah et al.
 2008/0164265 A1 7/2008 Conforti
 2008/0178865 A1 7/2008 Retterer
 2008/0245096 A1 10/2008 Hanson et al.
 2008/0260303 A1 10/2008 De Lesseux et al.
 2008/0305235 A1 12/2008 Gao et al.
 2009/0052809 A1 2/2009 Sampson
 2009/0095757 A1 4/2009 Ramundi
 2009/0280229 A1 11/2009 Constantine et al.
 2009/0311378 A1 12/2009 Wilaschin et al.
 2009/0317514 A1 12/2009 Sizer
 2010/0047423 A1 2/2010 Kruesemann et al.
 2010/0059199 A1 3/2010 Court
 2010/0075006 A1 3/2010 Semenza
 2010/0108694 A1 5/2010 Sedlbauer et al.
 2010/0136203 A1 6/2010 Sakata et al.
 2010/0143567 A1 6/2010 Ye et al.
 2010/0224660 A1 9/2010 Gleason
 2010/0284631 A1 11/2010 Lee
 2011/0003975 A1 1/2011 Arase et al.
 2011/0005739 A1 1/2011 Finney et al.
 2011/0030415 A1 2/2011 Breyburg et al.
 2011/0097442 A1 4/2011 Harju et al.
 2011/0108562 A1 5/2011 Lyons
 2011/0167863 A1 7/2011 Herrbold
 2011/0182532 A1 7/2011 Baltus
 2011/0191933 A1 8/2011 Gregory et al.
 2011/0284601 A1 11/2011 Pullin
 2011/0311166 A1 12/2011 Pascua
 2012/0106130 A1 5/2012 Beaudette
 2012/0137637 A1 6/2012 Gillis
 2012/0180184 A1 7/2012 Crye
 2012/0181211 A1 7/2012 Charlebois
 2012/0187138 A1 7/2012 Vasquez et al.
 2012/0294550 A1 11/2012 Hassman et al.
 2012/0311828 A1 12/2012 Nir
 2013/0014355 A1 1/2013 Lee
 2013/0043285 A1 2/2013 Cordray
 2013/0174600 A1 7/2013 Sarcinella

2013/0216158 A1 8/2013 Meldeau et al.
 2013/0264350 A1 10/2013 Handlon et al.
 2013/0294712 A1 11/2013 Seuk
 2013/0341338 A1 12/2013 Mitchell et al.
 2014/0023295 A1 1/2014 Wagner
 2014/0034543 A1 2/2014 Grubstein
 2014/0151172 A1* 6/2014 Diaz A45C 3/04
 190/1
 2014/0226920 A1 8/2014 Passavia
 2014/0248003 A1 9/2014 Mogil et al.
 2014/0254956 A1 9/2014 Buell, III
 2014/0366336 A1 12/2014 Chung
 2015/0008242 A1 1/2015 Kpabar, Jr.
 2015/0136796 A1 5/2015 Muehlhauser
 2015/0175338 A1 6/2015 Culp et al.
 2015/0225164 A1 8/2015 Seiders et al.
 2015/0335202 A1 11/2015 Wisner et al.
 2015/0353263 A1 12/2015 Seiders et al.
 2016/0066817 A1 3/2016 Hannes
 2016/0101924 A1 4/2016 Mitchell et al.
 2016/0107816 A1 4/2016 Larpenteur et al.
 2016/0257479 A1 9/2016 Seiders et al.
 2016/0338462 A1 11/2016 Hayashi

FOREIGN PATENT DOCUMENTS

CA 2300014 A1 8/2001
 CA 2327764 A1 6/2002
 CA 2433251 A1 12/2004
 CA 2483802 A1 4/2006
 CA 2498796 A1 9/2006
 CA 2499291 A1 9/2006
 CA 2503473 A1 10/2006
 CA 2548064 A1 11/2007
 CA 2549327 A1 11/2007
 CA 2633223 A1 12/2009
 CA 2782668 A1 12/2013
 CN 2125339 U 12/1992
 CN 2188899 Y 2/1995
 CN 201062136 Y 5/2008
 CN 102717977 A 10/2012
 CN 202619972 U 12/2012
 CN 202959175 U 6/2013
 CN 103385657 A 11/2013
 CN 302623771 11/2013
 CN 302623775 11/2013
 CN 302769710 3/2014
 CN 302956550 10/2014
 CN 303100086 2/2015
 CN 303342902 8/2015
 DE 3539626 A1 5/1987
 DE 20002689 U1 8/2000
 DE 202011050174 U1 7/2011
 DE 202013101115 U1 3/2013
 EP 0037545 A2 10/1981
 EP 0082131 A2 6/1983
 EP 85534 A1 8/1983
 EP 0158634 A1 10/1985
 EP 0174159 A2 3/1986
 EP 0238932 A1 9/1987
 FR 1269009 A 8/1961
 FR 2440886 A1 6/1980
 GB 1600133 A 10/1981
 GB 2249717 A 5/1992
 GB 2335972 A 10/1999
 GB 3004135 9/2002
 GB 3006367 10/2002
 JP 11051532 2/1999
 JP 3275477 B2 4/2002
 JP D1160335 12/2002
 JP 2003026258 A 1/2003
 JP D1213384 8/2004
 JP D1242111 6/2005
 JP 2010023926 A 2/2010
 JP D1445624 7/2012
 KR 20020027739 A 4/2002
 KR 20040092730 A 11/2004
 KR 300778570.0000 1/2015
 KR 300808669.0000 8/2015

(56)

References Cited

FOREIGN PATENT DOCUMENTS

KR	300835242.0000	1/2016
KR	3008537718.0000	5/2016
WO	9524146 A2	9/1995
WO	9812954 A1	4/1998
WO	02058500 A1	8/2002
WO	2006007266 A2	1/2006
WO	2006058538 A1	6/2006
WO	2007016092 A2	2/2007
WO	2010106296 A2	9/2010
WO	2010120199 A1	10/2010
WO	2012003543 A1	1/2012
WO	2014033450 A1	3/2014
WO	2014066026 A1	5/2014
WO	2016066817 A1	5/2016

OTHER PUBLICATIONS

Icemule Classic Cooler—Large (20L), <http://www.icemulecooler.com/icemule-classic-cooler-large-20l/>, published date unknown, but prior to the filing date of the present application, Icemule, United States.

The-gadgeteer.com: Tom Bihn Camera I-O Bag Review. Published by Janet Cloninger on Jul. 9, 2012. Retrieved from the Internet at <http://the-gadgeteer.com/2012/07/09/tom-bihn-camera-i-o-bag-review/>, Jan. 8, 2016. 23 pages.

Devonbuy.com: Thule Gauntlet 13" MacBook Pro Attaché. Published on Jul. 28, 2014. Retrieved from the internet at <http://www.devonbuy.com/thule-gauntlet-13-macbook-pro-attache/>, Feb. 24, 2016. 9 pages.

United States District Court for the Western District of Texas, Austin Division, "Defendants' Answer and Counterclaims to YETI's Complaint," *YETI Coolers, LLC*, vs. *RTIC Soft Sided Coolers, LLC, RTIC Coolers, LLC, RTIC Web Services, LLC, and Corporate Support and Fulfillment, LLC*, Case 1:16-cv-00909-RP, Document 11, Filed Aug. 18, 2016, 44 pages.

United States District Court Western District of Texas, Austin Division, "Complaint," *YETI Coolers, LLC*, v. *RTIC Soft Side Coolers, RTIC Coolers, LLC, RTIC Web Services, LLC, and Corporate Support and Fulfillment, LLC*, Case 1:16-cv-00909, Document 1, Filed Jul. 27, 2016, 66 pages.

United States District Court Western District of Texas, Austin Division, "Complaint for Damages and Injunctive Relief," *YETI Coolers, LLC* v. *Jennifer Leverne Bootz Evans d/b/a Bling and Burlap Buy In's and Blanks*, Case 1:15-cv-00995, Document 1, Filed Nov. 2, 2015, 128 pages.

United States District Court Western District of Texas, Austin Division, "Order," *YETI Coolers, LLC* v. *Jennifer Leverne Bootz Evans d/b/a Bling and Burlap Buy In's and Blanks*, Case 1:15-cv-00995-RP, Document 18, Filed Apr. 18, 2016, 1 page.

United States District Court Western District of Texas, Austin Division, "Defendant's Reply in Support of Their Rule 12 (B)(6) Motion to Dismiss for Failure to State a Claim" *YETI Coolers, LLC* v. *RTIC Soft Sided Coolers, LLC, RTIC Coolers, LLC, RTIC Web Services, LLC, and Corporate Support and Fulfillment, LLC*, Case 1:16-cv-00909-RP, Document 15, Filed Sep. 8, 2016, 13 pages.

United States District Court Western District of Texas, Austin Division, "YETI's Answer to RTIC's Counterclaims," *YETI Cool-*

ers, LLC v. *RTIC Soft Sided Coolers, LLC, RTIC Coolers, LLC, RTIC Web Services, LLC, and Corporate Support and Fulfillment, LLC*, Case 1:16-cv-00909-RP, Document 14, Filed Sep. 2, 2016, 16 pages.

United States District Court Western District of Texas, Austin Division, "YETI's Opposition to RTIC's Motion to Dismiss," *YETI Coolers, LLC* v. *RTIC Soft Sided Coolers, LLC, RTIC Coolers, LLC, RTIC Web Services, LLC, and Corporate Support and Fulfillment, LLC*, Case 1:16-cv-00909-RP, Document 13, Filed Sep. 1, 2016, 17 pages.

United States District Court for the Western District of Texas, Austin Division, "Defendants' Rule 12(B)(6) Motion to Dismiss for Failure to State a Claim," *YETI Coolers, LLC*, vs. *RTIC Soft Sided Coolers, LLC, RTIC Coolers, LLC, RTIC Web Services, LLC, and Corporate Support and Fulfillment, LLC*, Case 1:16-cv-00909-RP, Document 10, Filed Aug. 18, 2016, 12 pages.

United States District Court for the Western District of Texas, Austin Division, "Joint Rule 26(f) Report and Discovery Plan," *YETI Coolers, LLC*, vs. *RTIC Soft Sided Coolers, LLC, RTIC Coolers, LLC, RTIC Web Services, LLC, and Corporate Support and Fulfillment, LLC*, Case 1:16-cv-00909-RP, Document 19, Filed Oct. 11, 2016, 9 pages.

Petition for Inter Partes Review of U.S. Pat. No. 9,139,352, filed on Dec. 13, 2016, 1616 pages.

YouTube.com: Patagonia Black Hole Duffel 60L. Published Aug. 26, 2013. Retrieved from the internet at <https://www.youtube.com/watch?v=W-PWEmZmVv8>, Dec. 19, 2016. 1 page.

TheGadgeteer.com: Tom Bihn Camera I-O Bag Review. Published Jul. 9, 2012. Retrieved from the internet at <http://the-gadgeteer.com/2012/07/09/tom-bihn-camera-i-o-bag-review/>, Jan. 11, 2016. 7 pages.

YouTube.com: Patagonia Black Hole Duffel 60L. Published Aug. 26, 2013. Retrieved from the internet at <https://www.youtube.com/watch?v=W-PWEmZmVv8>, Dec. 19, 2016. 1 page.

Youtube, "YETI Hopper Cooler At ICAST 2014", Uploaded by user TackleDirect on Jul. 17, 2014, Accessed Jan. 31, 2017. (<https://www.youtube.com/watch?v=A2rKRdyZcZ4>).

Ebags, Picnic Pack Picnic Pack Large Insulated Cooler Tote, First reviewed on Jul. 20, 2016. Accessed Feb. 7, 2017. (<http://www.ebags.com/product/picnic-pack/picnic-pack-large-insulated-cooler-tote/313704?productid=10428840>).

United States Patent and Trademark Office Before the Patent Trial and Appeal Board, Decisions Joint Motions to Terminate Inter Partes Review, Entered Mar. 22, 2017—(4 pgs).

Jan. 31, 2017—(WO) International Search Report and Written Opinion—App. PCT/US2016/060135.

Mar. 31, 2017—(WO) International Search Report and Written Opinion—App. PCT/US2017/016552.

May 8, 2017—(US) Non-Final Office Action—U.S. Appl. No. 15/154,626.

May 22, 2015—(US) Non-Final Office Action—U.S. Appl. No. 14/479,607.

United States District Court Western District of Texas Austin Division, "Complaint," *YETI Coolers, LLC* v. *Glacier Coolers, LLC, and Tecomate Holdings, LLC*, Case 1:17-cv-00586, Document 1, filed Jun. 15, 2017, 161 pages.

May 30, 2017—(WO) ISR—App. No. PCT/US17/32351.

May 30, 2017—(WO) Written Opinion—App. No. PCT/US17/32351.

* cited by examiner

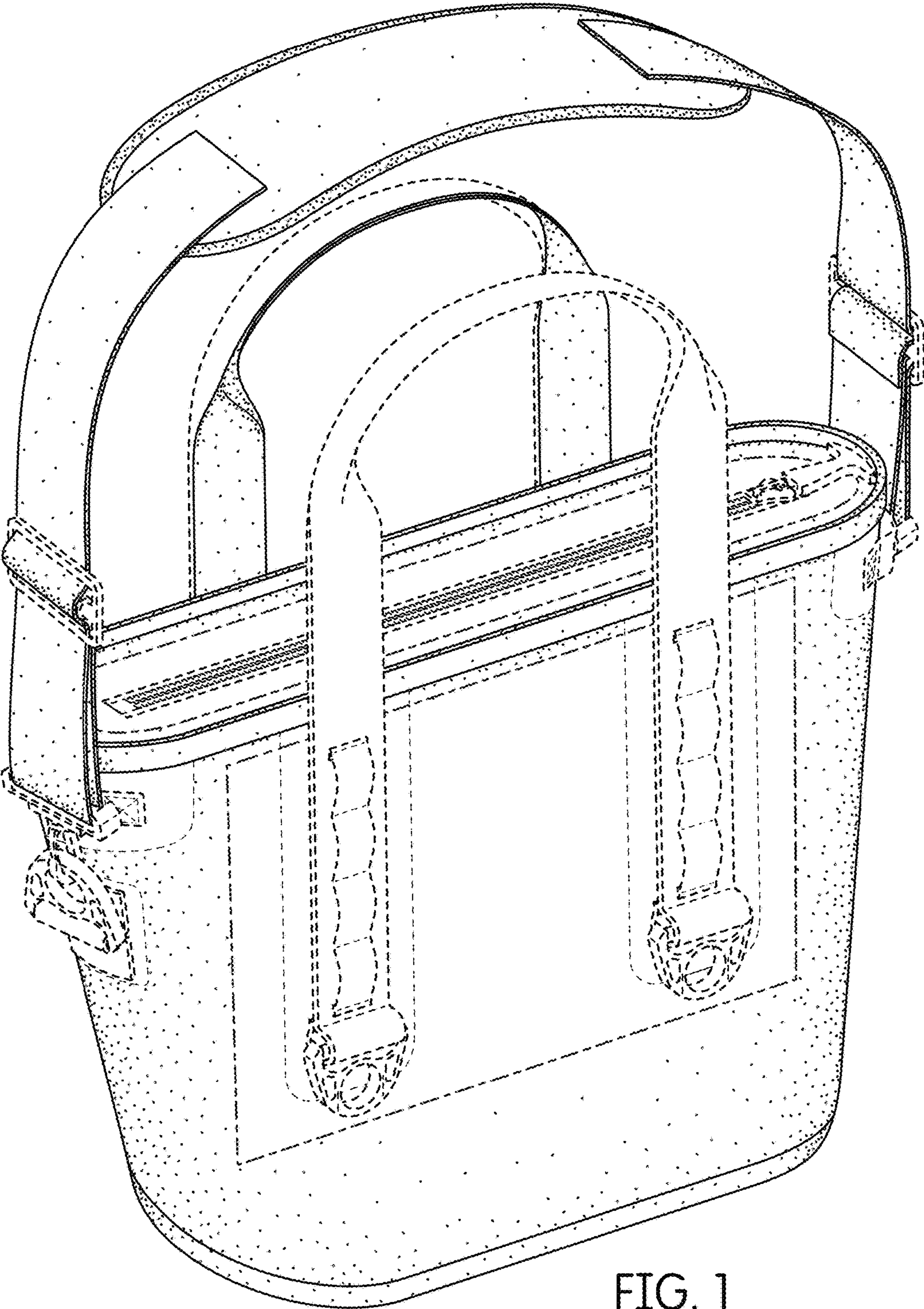


FIG. 1

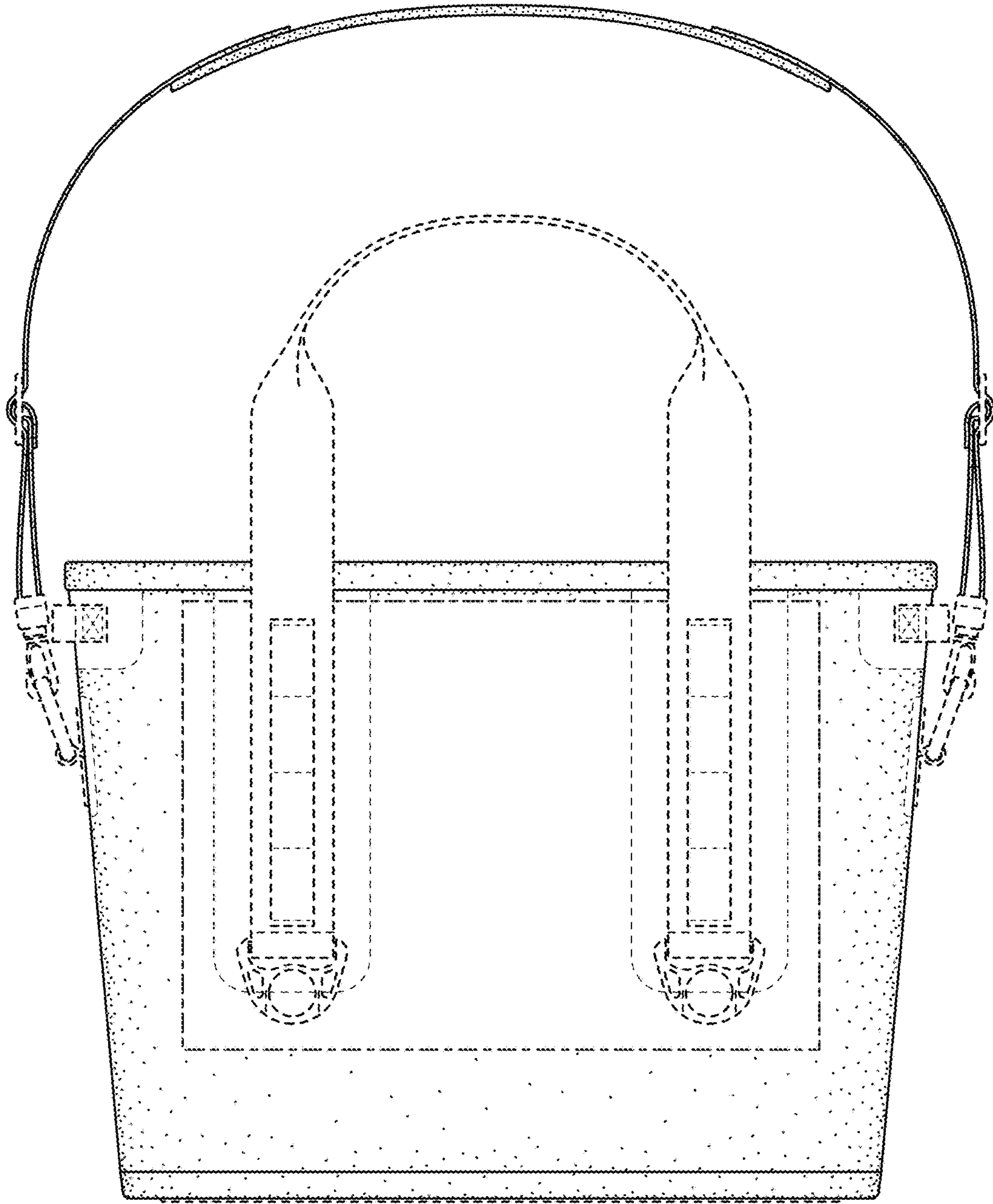


FIG. 2

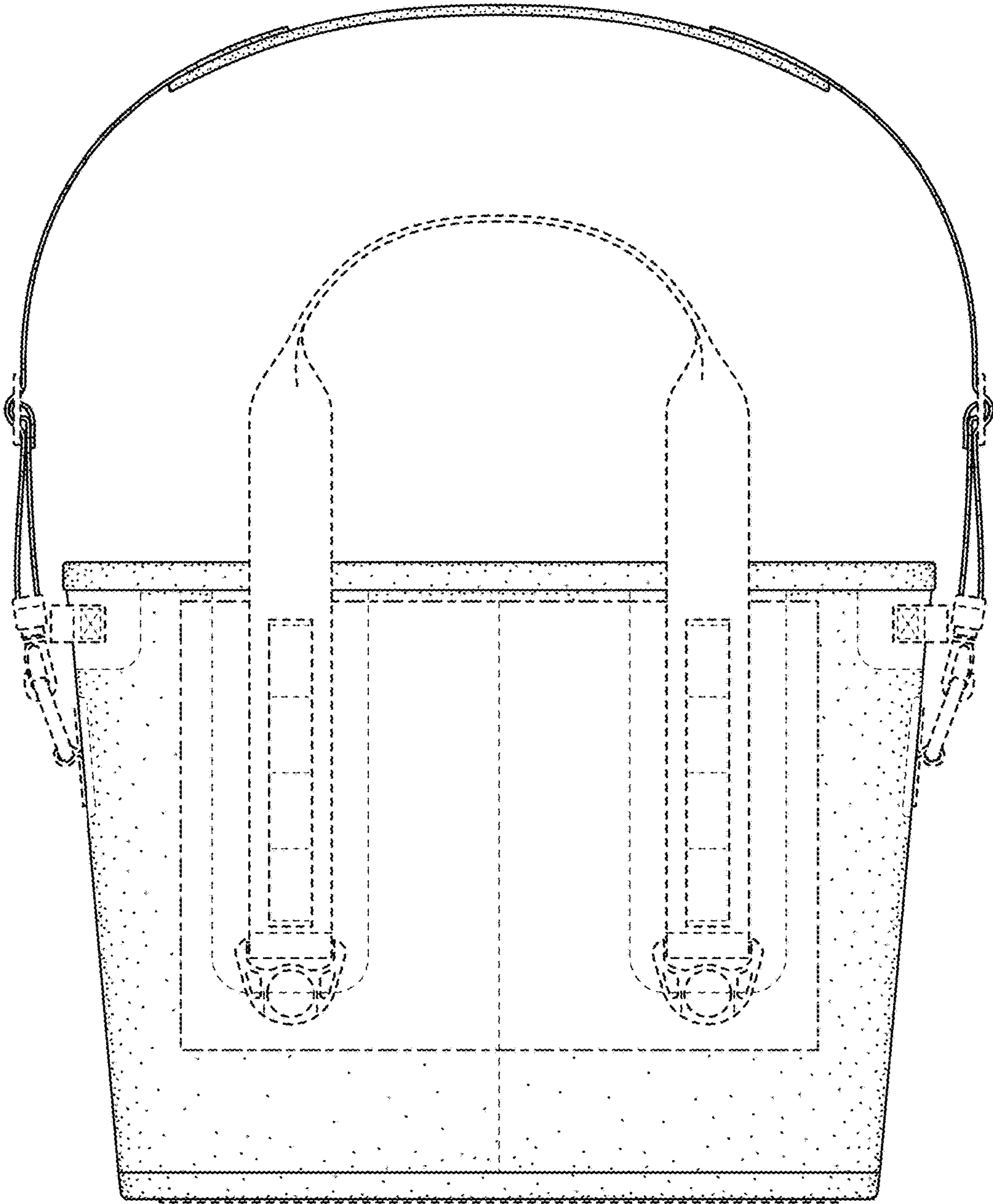


FIG. 3

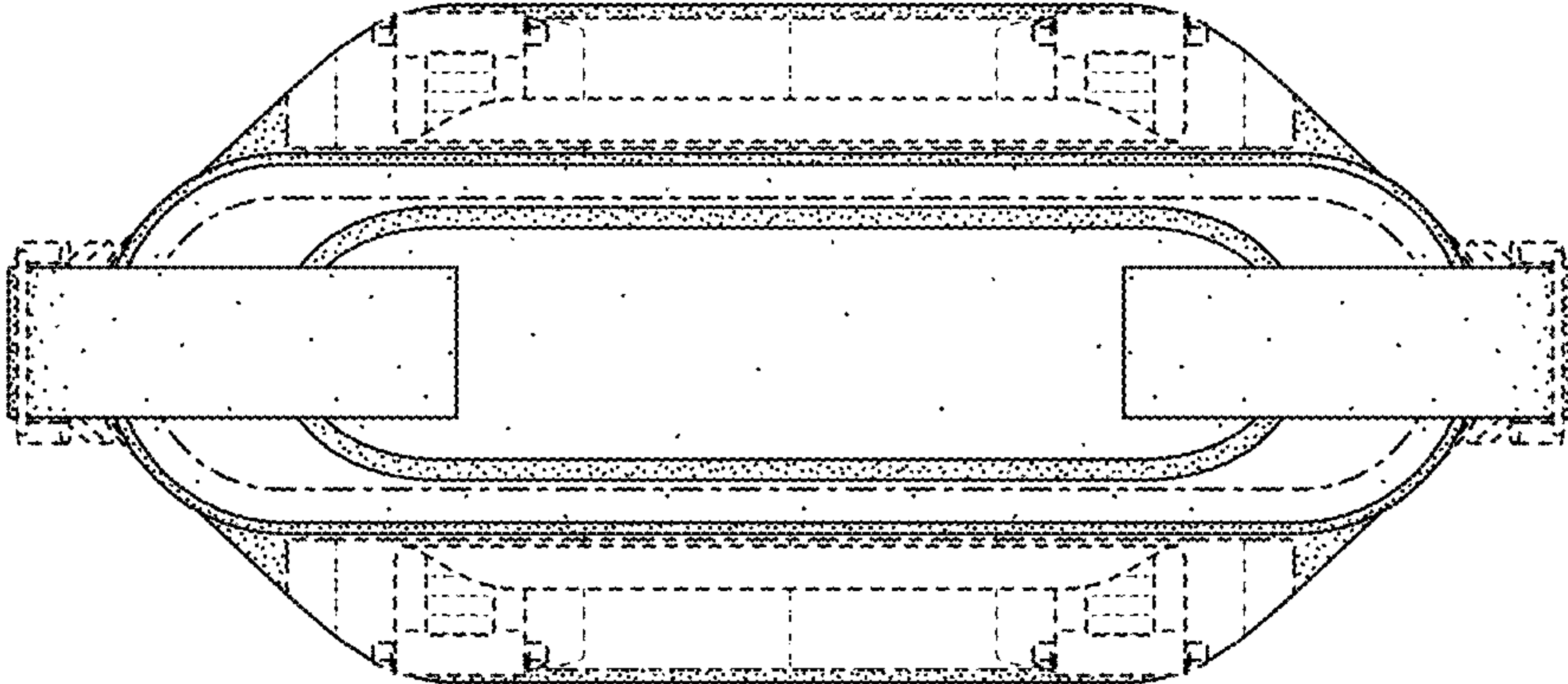


FIG. 4

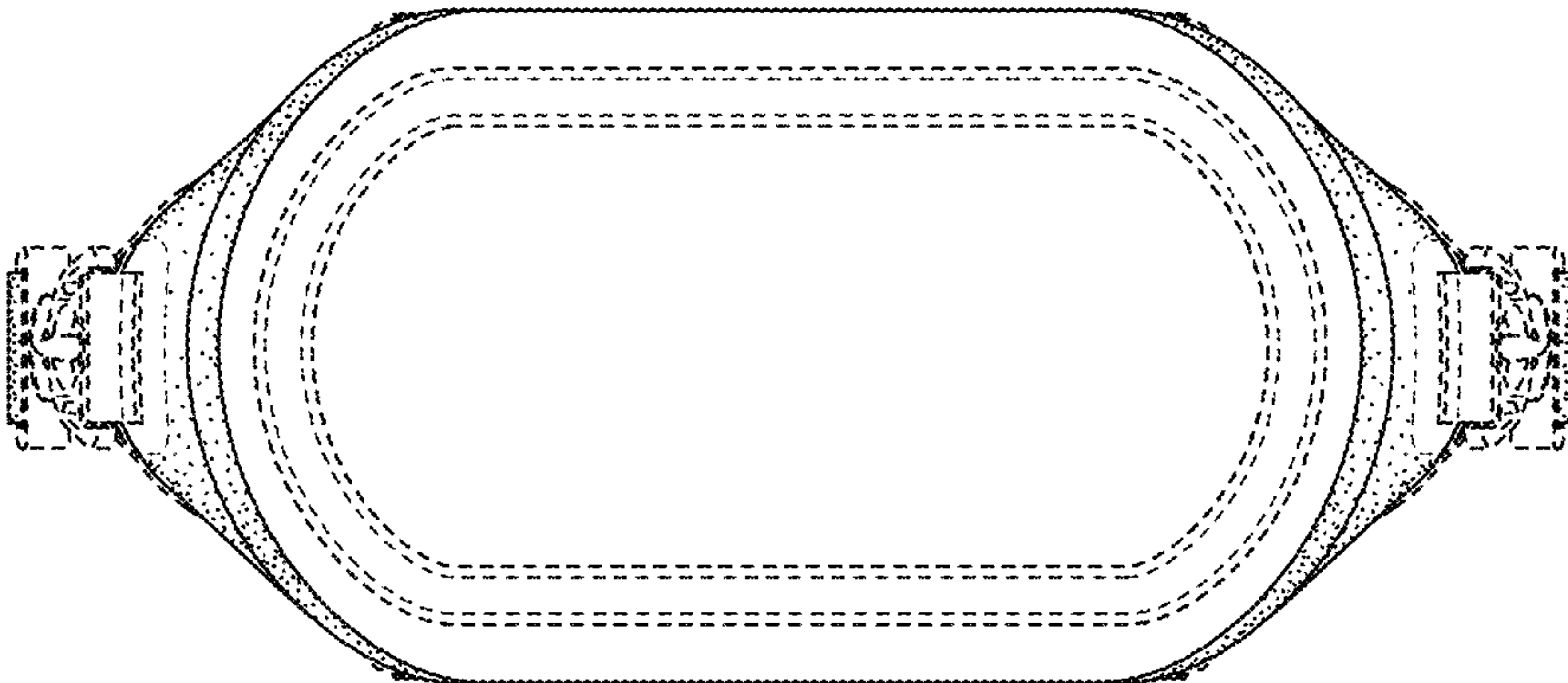


FIG. 5