



US00D808653S

(12) **United States Design Patent**
Rayeski et al.

(10) **Patent No.:** **US D808,653 S**
(45) **Date of Patent:** **** Jan. 30, 2018**

- (54) **BOX**
- (71) Applicant: **OTTER PRODUCTS, LLC**, Fort Collins, CO (US)
- (72) Inventors: **Jonathan B. Rayeski**, Fort Collins, CO (US); **Curtis R. Richardson**, Fort Collins, CO (US)
- (73) Assignee: **Otter Products, LLC**, Fort Collins, CO (US)
- (**) Term: **15 Years**

- D327,646 S 7/1992 Hardigg et al.
- D329,747 S 9/1992 Embree
- D330,329 S 10/1992 Brightbill
- 5,175,873 A 12/1992 Goldenberg et al.
- D335,220 S 5/1993 Ward et al.
- D342,609 S 12/1993 Brightbill
- D347,324 S 5/1994 Dickinson
- D347,732 S 6/1994 Wentz
- D353,048 S 12/1994 VanSkiver et al.
- D381,512 S 7/1997 Green
- D386,611 S 11/1997 Sheu
- D402,105 S 12/1998 Erickson
- D409,374 S 5/1999 Laba et al.
- D412,062 S 7/1999 Potter et al.
- D413,202 S 8/1999 Schmitt et al.
- D413,203 S 8/1999 Zurwelle et al.

(Continued)

(21) Appl. No.: **29/584,893**

(22) Filed: **Nov. 18, 2016**

(51) **LOC (11) Cl.** **03-01**

(52) **U.S. Cl.**
USPC **D3/273; D3/282; D3/294; D3/905**

(58) **Field of Classification Search**
USPC D3/273, 274, 276, 279, 280, 282, 283, D3/289, 293, 294, 905, 301, 205
CPC A45C 3/001; A45C 2003/002; A45C 2003/007; A45C 2003/008; A45C 3/12; A45C 5/005; A45C 5/08; A45C 2011/002; A45C 11/008; A45C 13/42; A45C 2200/10

See application file for complete search history.

(56) **References Cited**

U.S. PATENT DOCUMENTS

- 2,392,787 A 1/1946 Edmond
- 3,023,885 A 3/1962 Kindseth
- D216,853 S 3/1970 Schurman
- D220,233 S 3/1971 Schurman
- 3,590,988 A 7/1971 Douglass
- D275,822 S 10/1984 Gatland et al.
- 4,703,161 A 10/1987 McLean
- 4,762,227 A 8/1988 Patterson
- 5,092,459 A 3/1992 Uljanic et al.

OTHER PUBLICATIONS

Design U.S. Appl. No. 29/205,708, Richardson et al., filed Mar. 14, 2004.

Primary Examiner — Jennifer Rivard
Assistant Examiner — April Rivas

(57) **CLAIM**

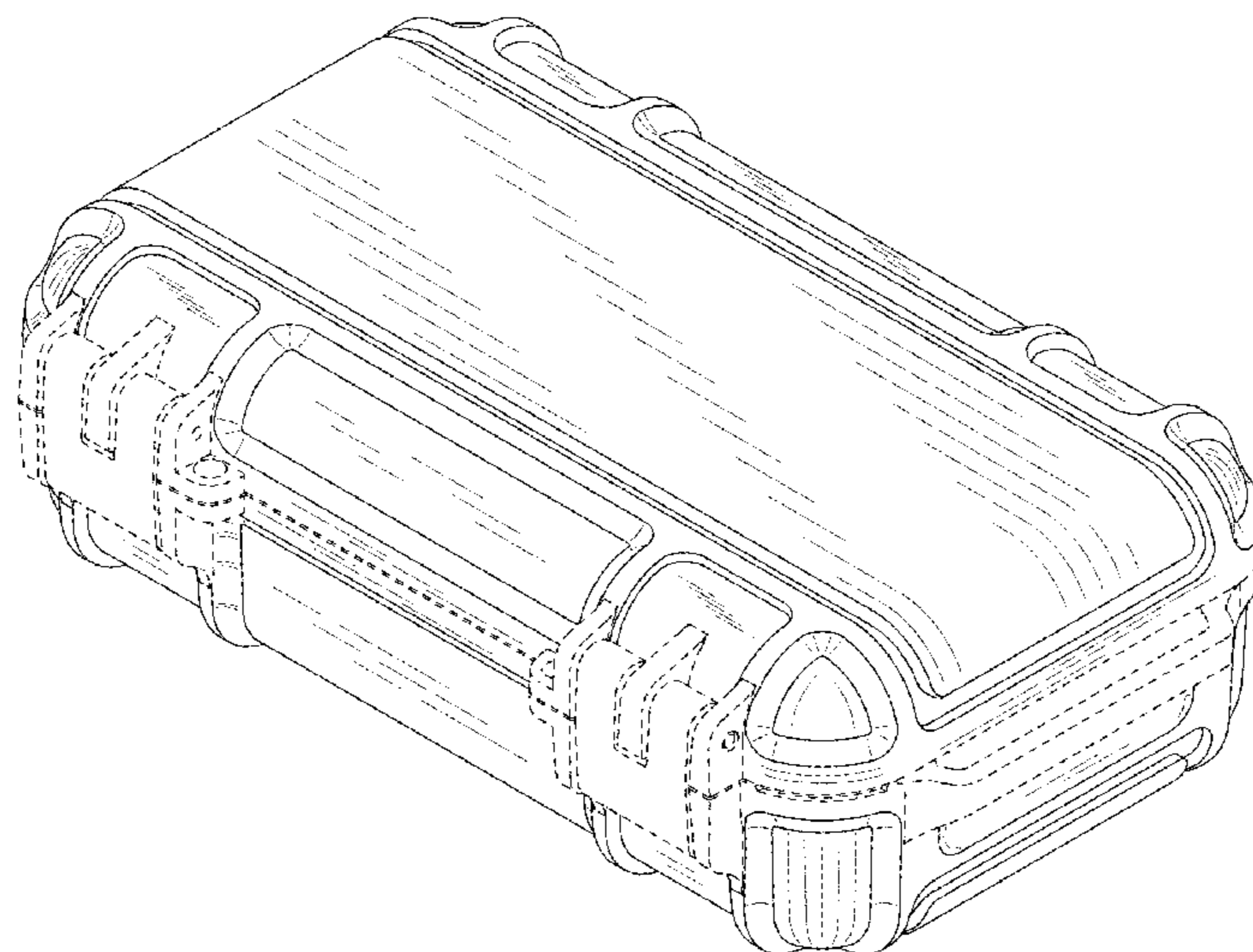
The ornamental design for a box, as shown and described.

DESCRIPTION

FIG. 1 is a front isometric view of a box;
FIG. 2 is a rear isometric view thereof;
FIG. 3 is a front view thereof;
FIG. 4 is a rear view thereof;
FIG. 5 is a left view thereof;
FIG. 6 is a right view thereof;
FIG. 7 is a top view thereof; and,
FIG. 8 is a bottom view thereof.

The broken lines illustrate portions of the box. The broken lines and unshaded surfaces bounded by broken lines form no part of the claimed design.

1 Claim, 5 Drawing Sheets



(56)

References Cited

U.S. PATENT DOCUMENTS

D419,297 S *	1/2000	Richardson	D3/273	D464,196 S	10/2002	Parker	
D419,767 S	2/2000	Richardson et al.			6,471,056 B1	10/2002	Tzeng	
D419,768 S *	2/2000	Richardson	D3/273	D465,330 S *	11/2002	Parker D3/201
6,031,524 A	2/2000	Kunert			D470,659 S	2/2003	Story et al.	
6,041,924 A	3/2000	Tajima			6,519,141 B2	2/2003	Tseng et al.	
6,049,813 A	4/2000	Danielson et al.			6,536,589 B2	3/2003	Chang	
D423,772 S	5/2000	Cooper et al.			D472,384 S	4/2003	Richardson	
6,068,119 A	5/2000	Derr et al.			6,646,864 B2	11/2003	Richardson	
D429,884 S	8/2000	Zurwelle et al.			6,665,174 B1	12/2003	Derr et al.	
6,094,785 A	8/2000	Montgomery et al.			D513,123 S *	12/2005	Richardson D3/273
D433,798 S	11/2000	Weinstock			D513,451 S *	1/2006	Richardson D3/273
D439,407 S	3/2001	Parker			D514,808 S *	2/2006	Morine D3/273
6,215,474 B1	4/2001	Shah			D516,309 S *	3/2006	Richardson D3/273
D441,954 S	5/2001	Parker			D516,807 S *	3/2006	Richardson D3/273
6,239,968 B1	5/2001	Kim et al.			D636,994 S *	5/2011	Okuda D3/276
D443,133 S	6/2001	Richardson et al.			8,297,464 B2 *	10/2012	Grenier A45C 13/1084 220/314
6,273,252 B1	8/2001	Mitchell			D694,521 S *	12/2013	Robinson D3/273
6,301,100 B1	10/2001	Iwata			D733,429 S *	7/2015	Grenier D3/294
6,313,892 B2	11/2001	Gleckman			D789,086 S *	6/2017	Lin D3/294
6,313,982 B1	11/2001	Hino			2002/0101707 A1	8/2002	Canova et al.	
6,317,313 B1	11/2001	Mosgrove et al.			2011/0127264 A1 *	6/2011	Whalen A45C 5/03 220/203.01
6,388,877 B1	5/2002	Canova et al.			2016/0084454 A1 *	3/2016	Svitak, Sr. H02S 20/00 362/183
6,415,138 B2	7/2002	Sirola et al.			2017/0050794 A1 *	2/2017	Clark B65D 81/38
6,445,577 B1	9/2002	Madsen et al.						
6,456,487 B1	9/2002	Hetterick						

* cited by examiner

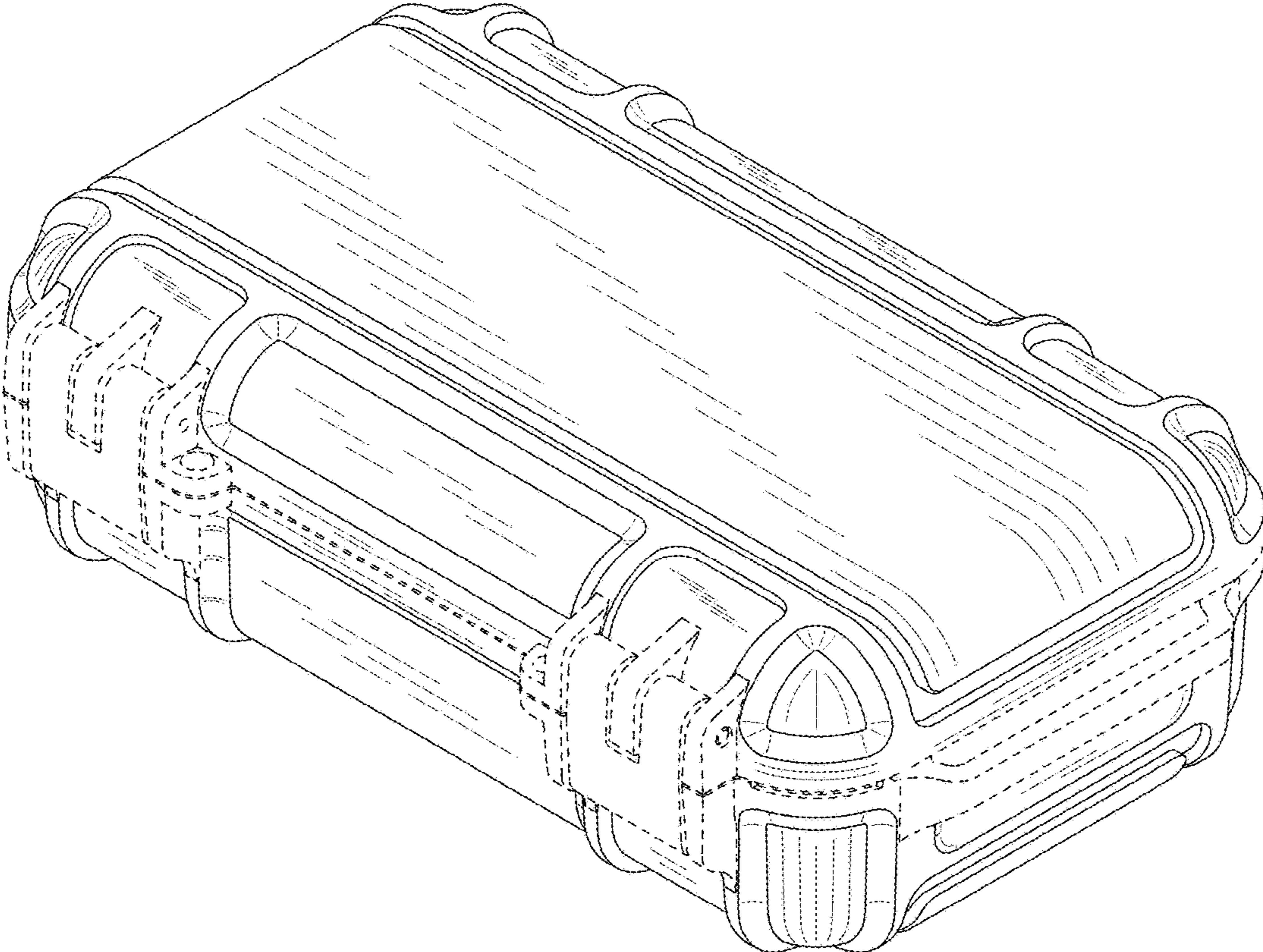


FIG. 1

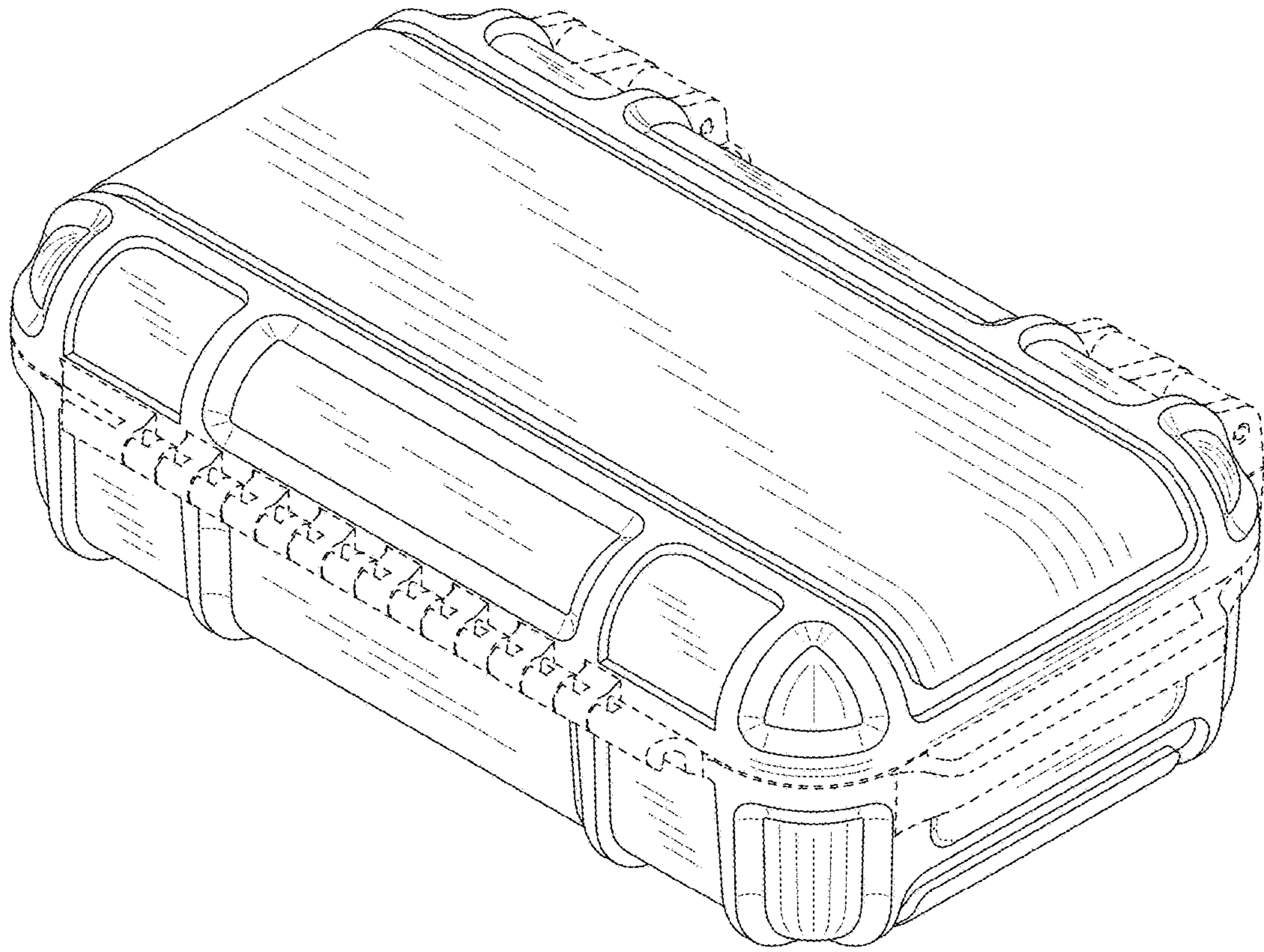


FIG. 2

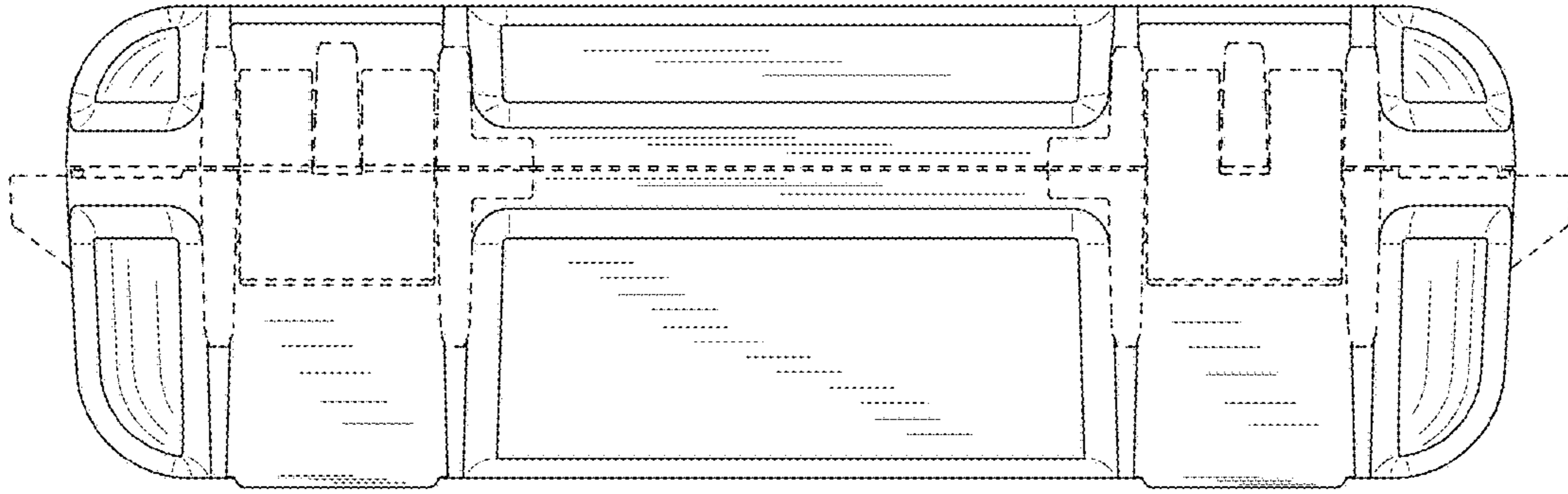


FIG. 3

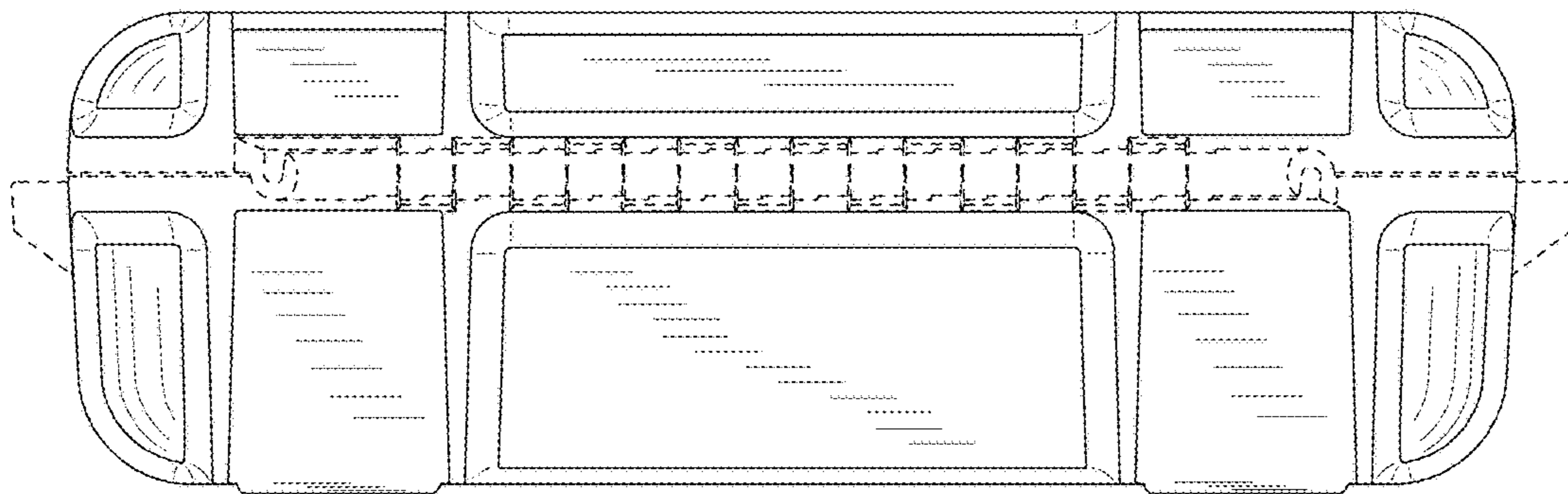


FIG. 4

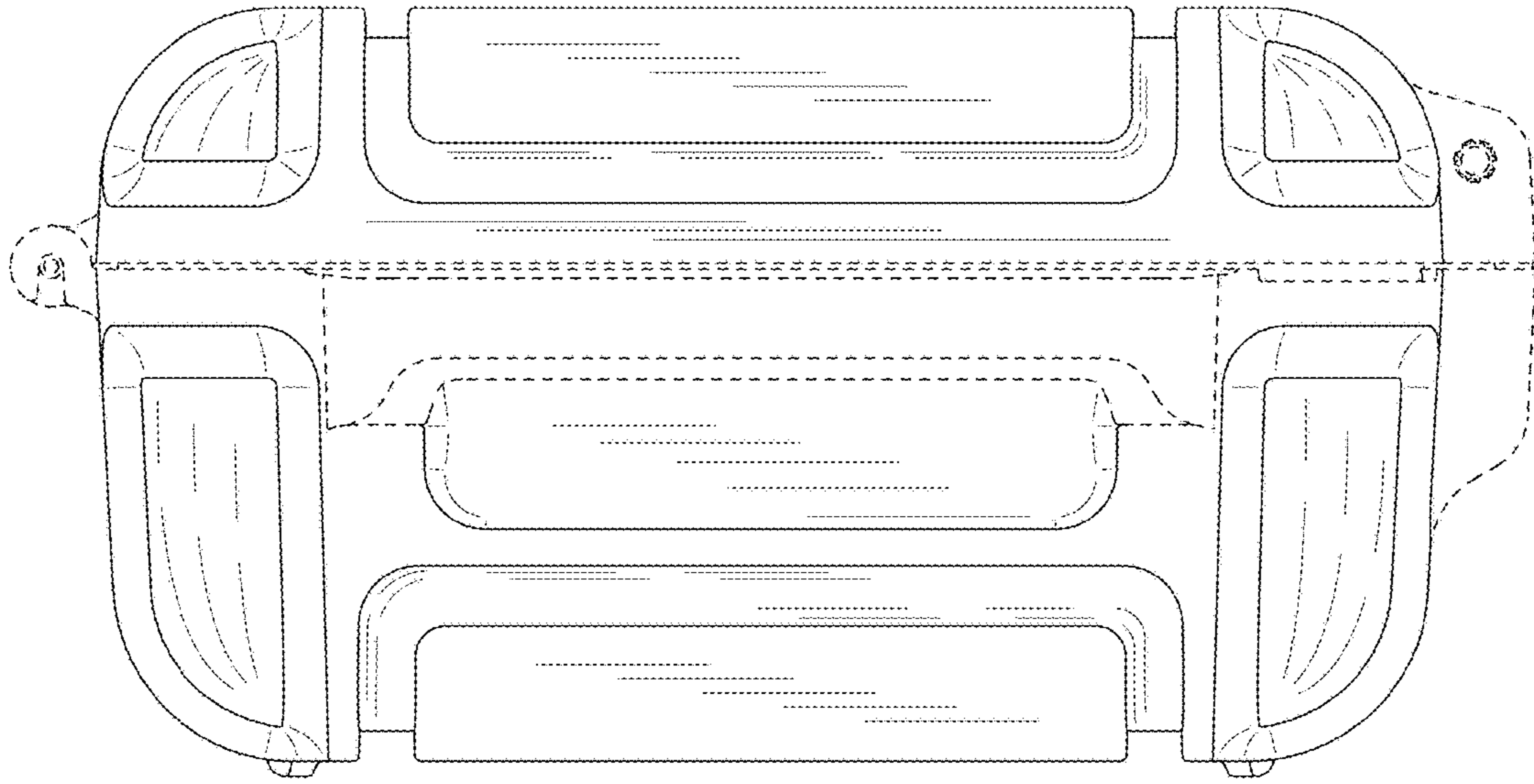


FIG. 5

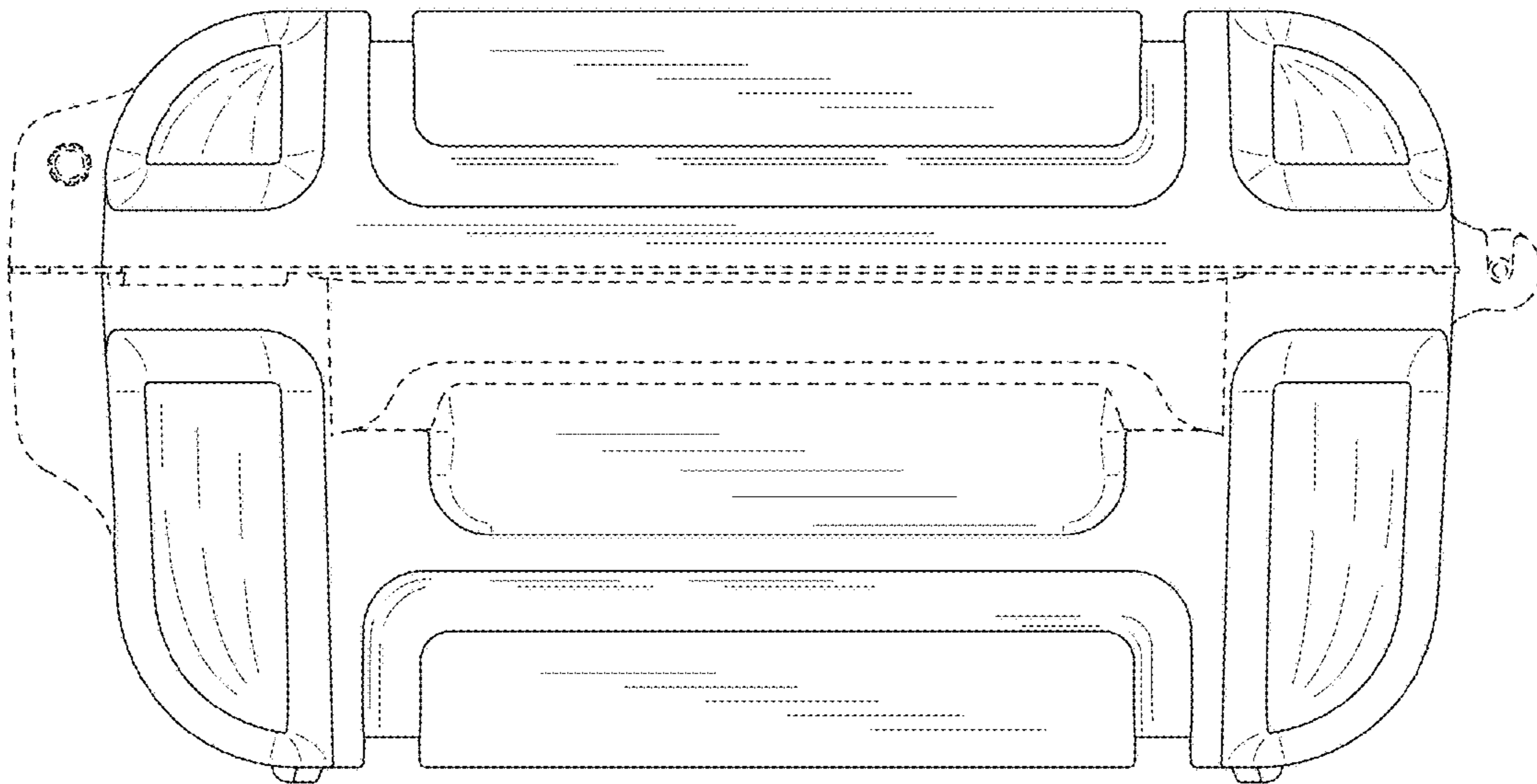


FIG. 6

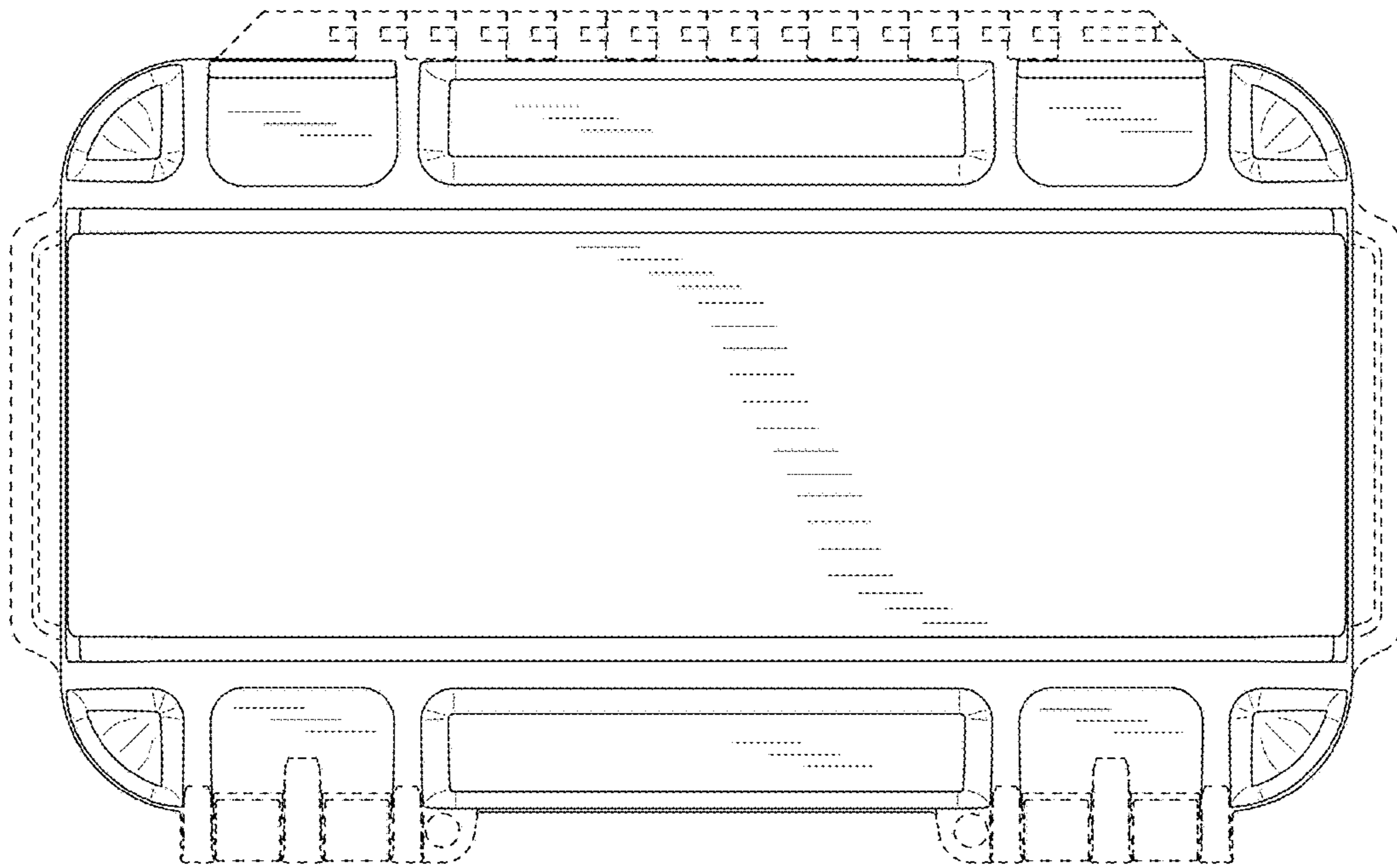


FIG. 7

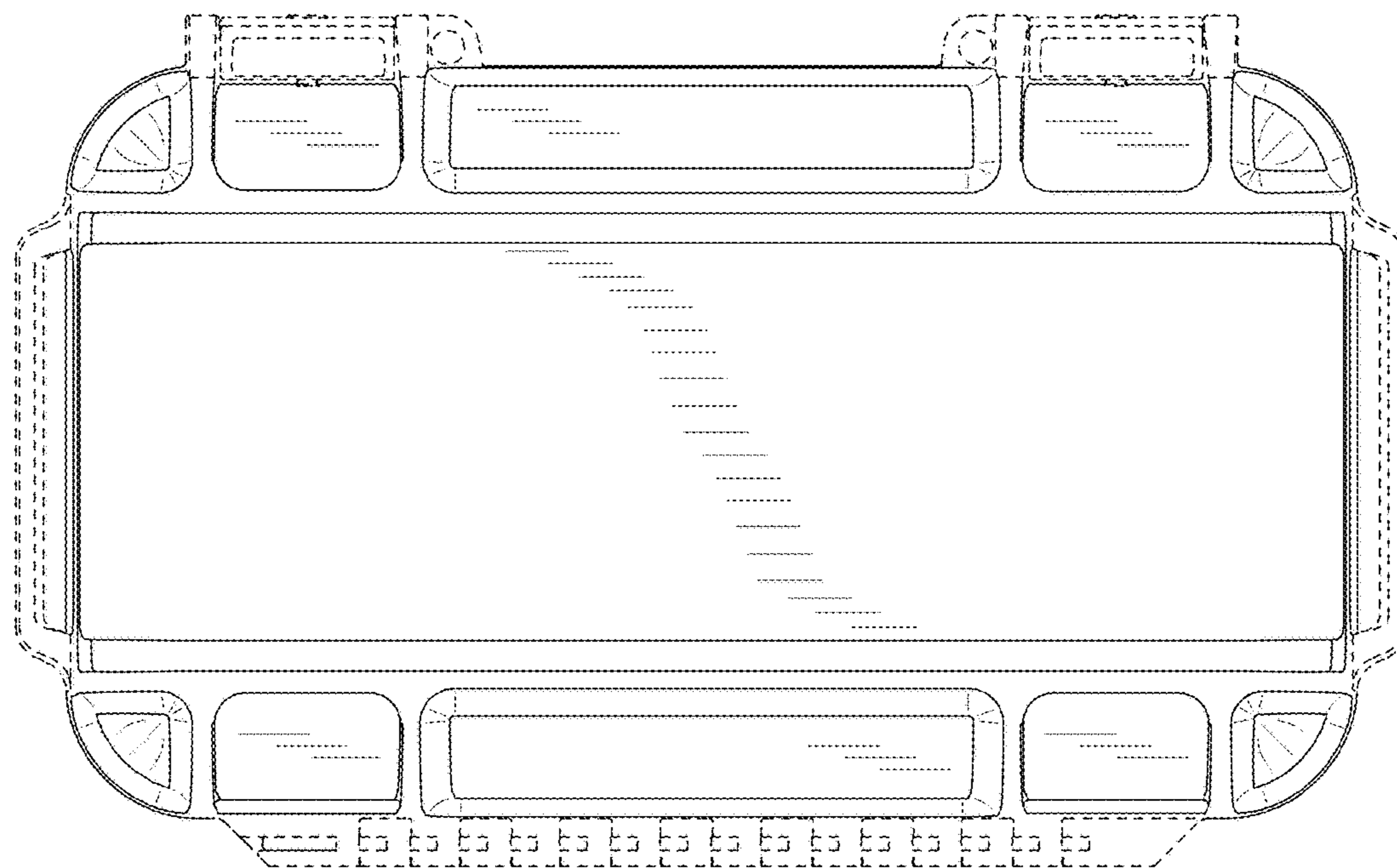


FIG. 8