



US00D808651S

(12) **United States Design Patent** (10) **Patent No.:** **US D808,651 S**
Risolia (45) **Date of Patent:** **** Jan. 30, 2018**

(54) **BASEBALL CONTAINER**
 (71) Applicant: **Joseph Risolia**, Miami, FL (US)
 (72) Inventor: **Joseph Risolia**, Miami, FL (US)
 (**) Term: **15 Years**
 (21) Appl. No.: **29/582,012**
 (22) Filed: **Oct. 24, 2016**
 (51) **LOC (11) Cl.** **03-01**
 (52) **U.S. Cl.**
 USPC **D3/254**
 (58) **Field of Classification Search**
 USPC D3/201, 254, 257, 270, 271.1, 271.9;
 D9/668, 600; D21/698, 780; D32/53;
 273/317.6, 108.3
 CPC A63B 69/0002; A63B 2069/0006; A63B
 47/00
 See application file for complete search history.

D743,136 S * 11/2015 Condiff D32/53
 D797,392 S * 9/2017 Desanti D32/53
 2012/0298537 A1* 11/2012 Calderon A63B 47/00
 206/315.9

* cited by examiner

Primary Examiner — Cathron Brooks
Assistant Examiner — Teddy Falloway
 (74) *Attorney, Agent, or Firm* — Jason P. Webb; Pearson
 Butler

(57) **CLAIM**

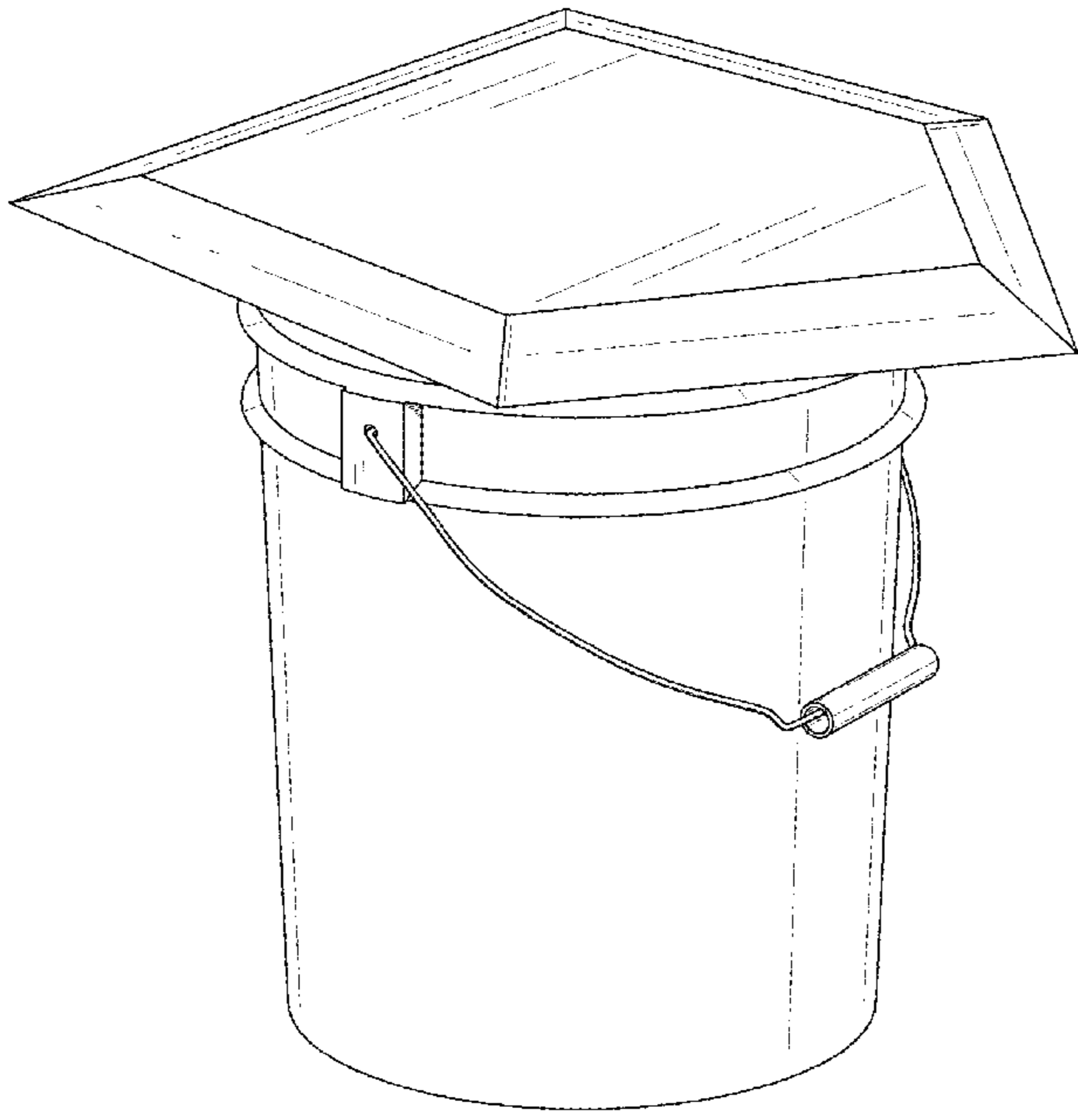
The ornamental design for a baseball container, as shown and described.

DESCRIPTION

FIG. 1 is a perspective view of a baseball container, showing my new design;
 FIG. 2 is a front elevational view of a baseball container;
 FIG. 3 is a back elevational view thereof;
 FIG. 4 is a left side elevational view thereof;
 FIG. 5 is a right side elevational view thereof;
 FIG. 6 is a top plan view thereof;
 FIG. 7 is a bottom plan view thereof;
 FIG. 8 is an exploded perspective view of a baseball container, showing the lid separated from the bucket;
 FIG. 9 is a bottom plan view of the lid, shown separately for completeness of illustration;
 FIG. 10 is a side elevational view of a lid thereof; and,
 FIG. 11 is top plan view of the bucket, shown separately for completeness of illustration.

(56) **References Cited**
 U.S. PATENT DOCUMENTS
 D199,128 S * 9/1964 Madsen 473/499
 D249,444 S * 9/1978 Forsberg D7/604
 D295,094 S * 4/1988 Tapdrup D32/53
 D362,178 S * 9/1995 Curtis D9/633
 5,732,952 A * 3/1998 Joseph A63B 63/08
 273/317.6
 D462,091 S * 8/2002 Lowder D19/86
 D536,051 S * 1/2007 Hernandez, Jr. D21/780
 7,255,658 B1 * 8/2007 VanKuiken A63B 69/0002
 473/417
 7,674,194 B2 * 3/2010 Lortscher A63B 69/0002
 473/417
 D696,481 S * 12/2013 Richardson D32/53

1 Claim, 11 Drawing Sheets



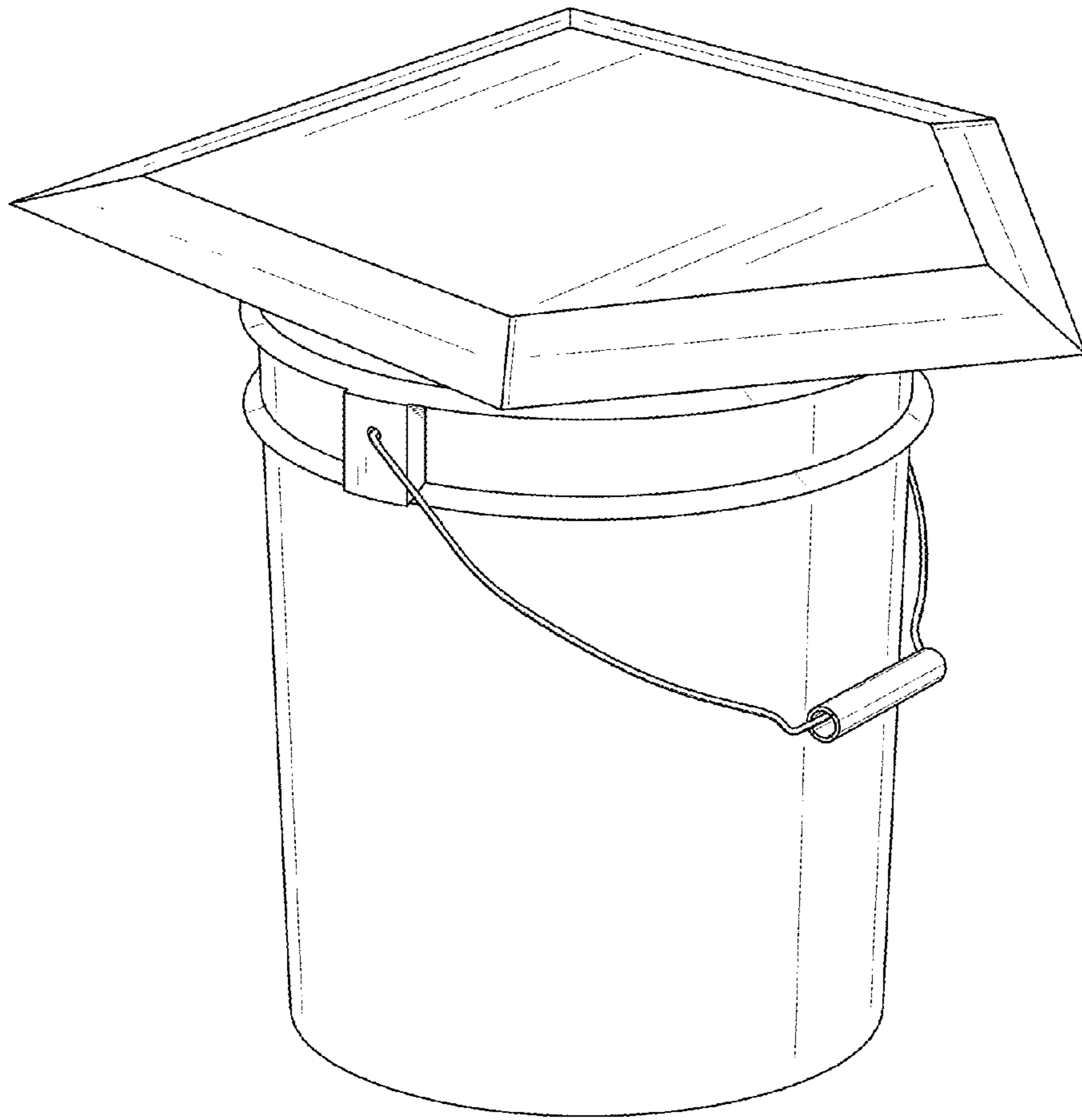


FIG. 1

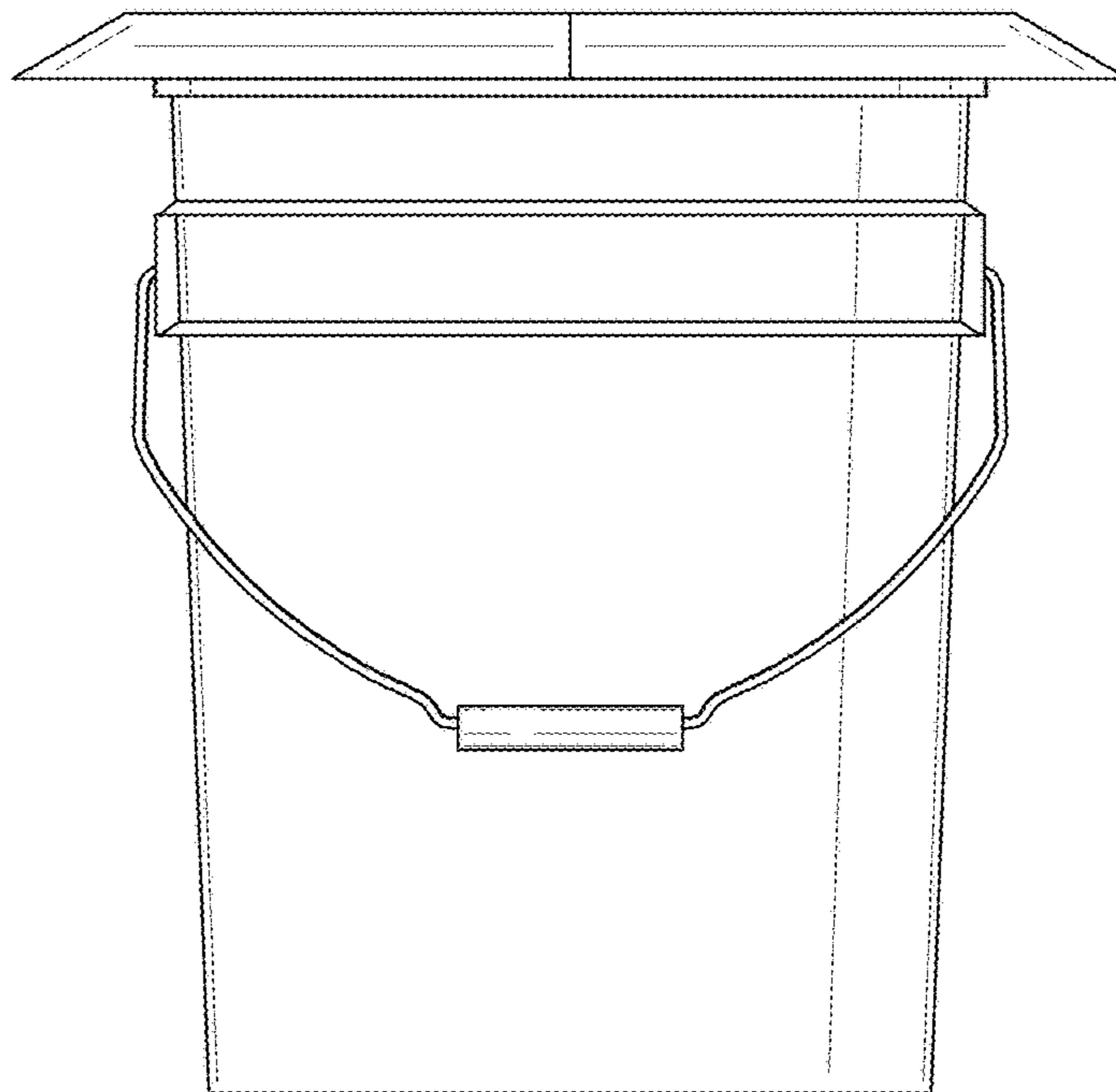


FIG. 2

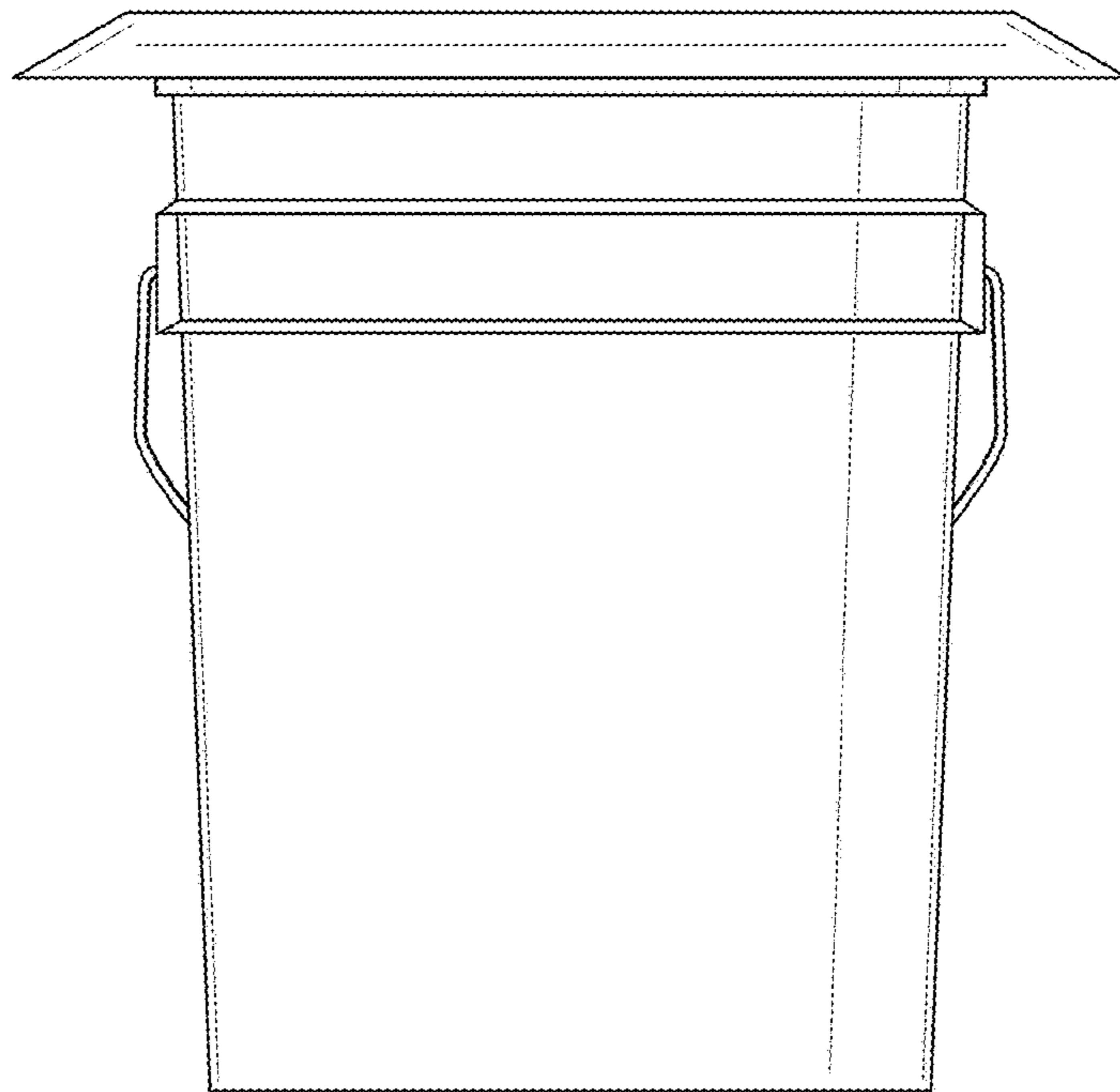


FIG. 3

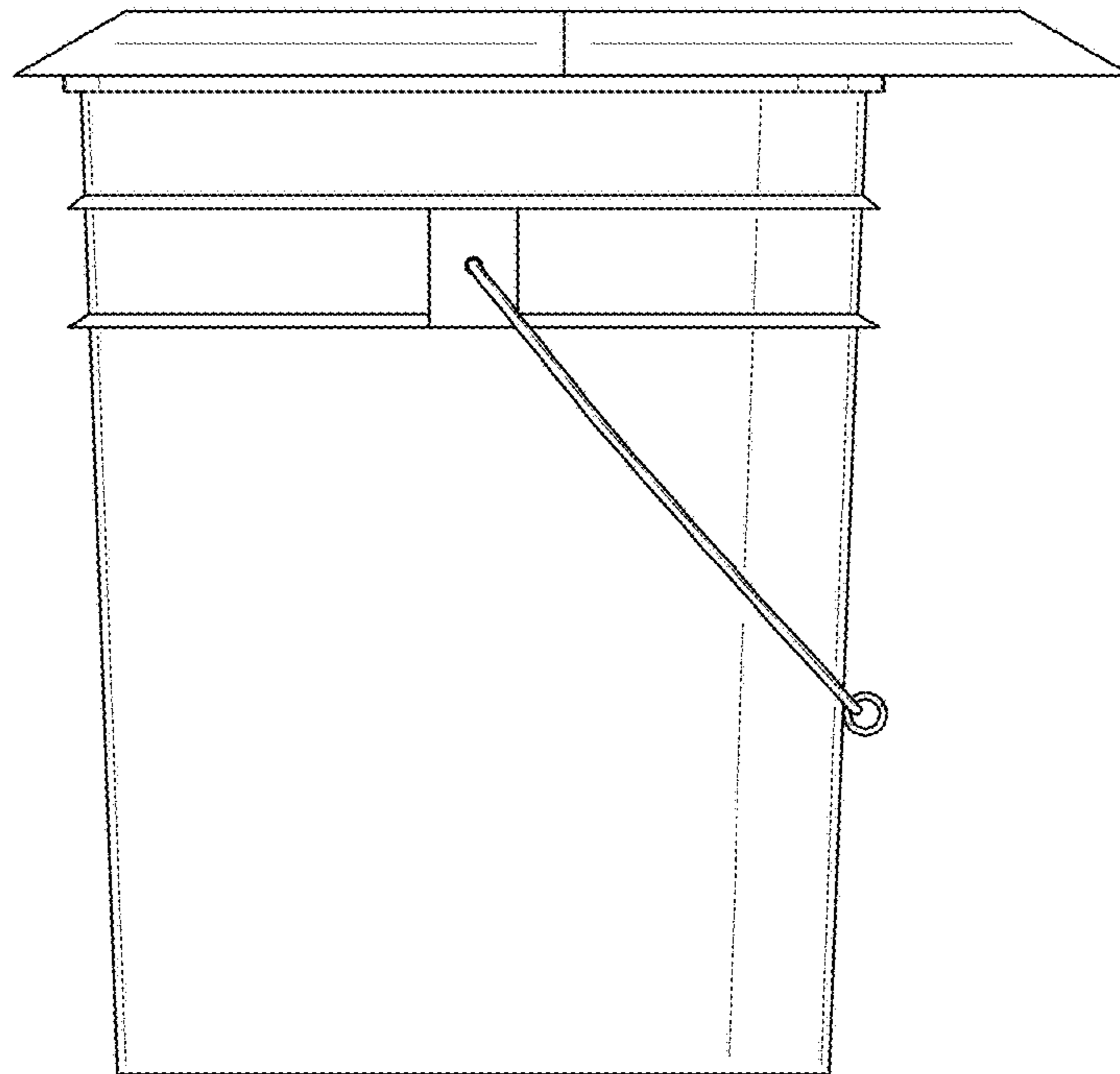


FIG. 4

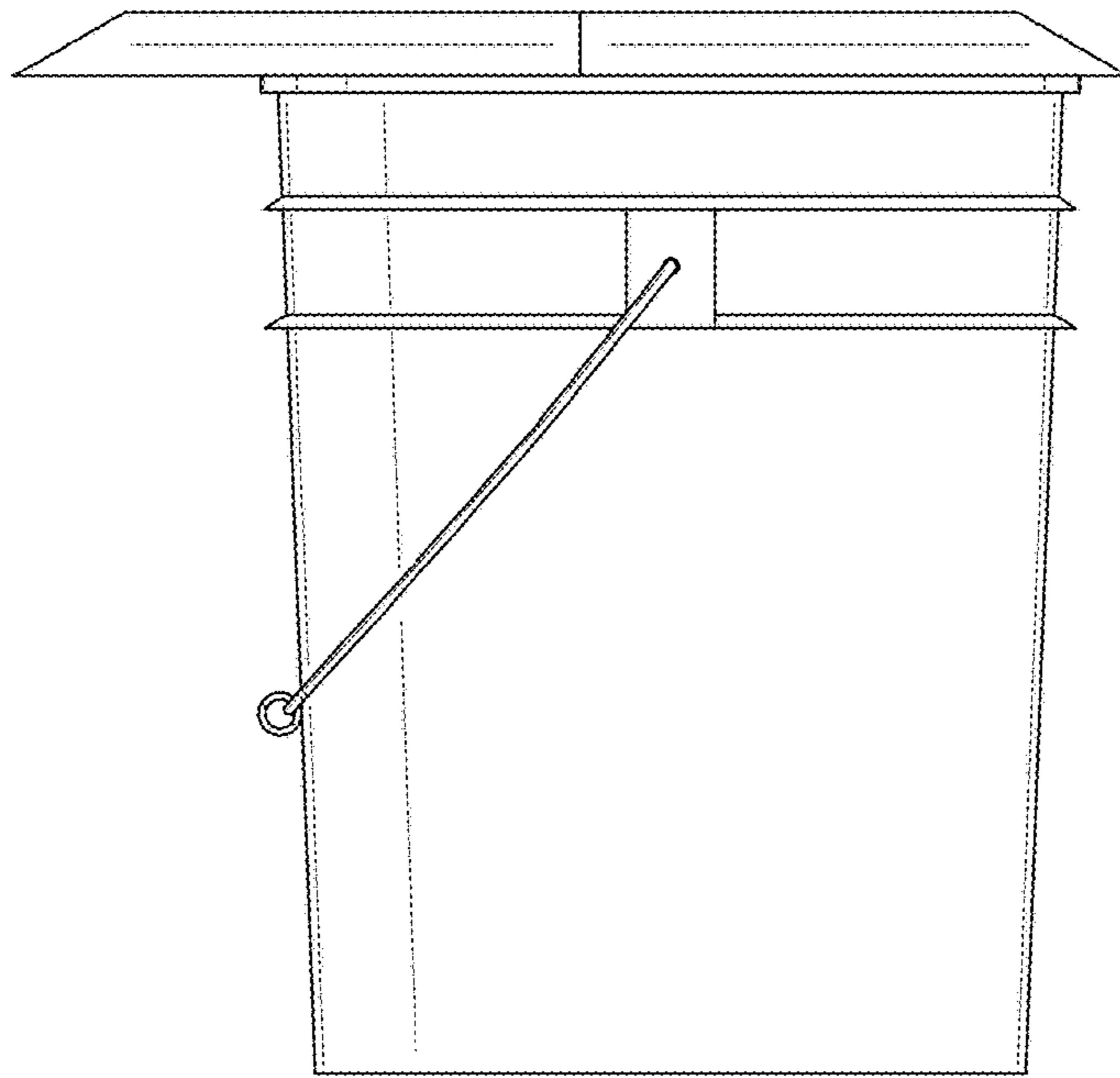


FIG. 5

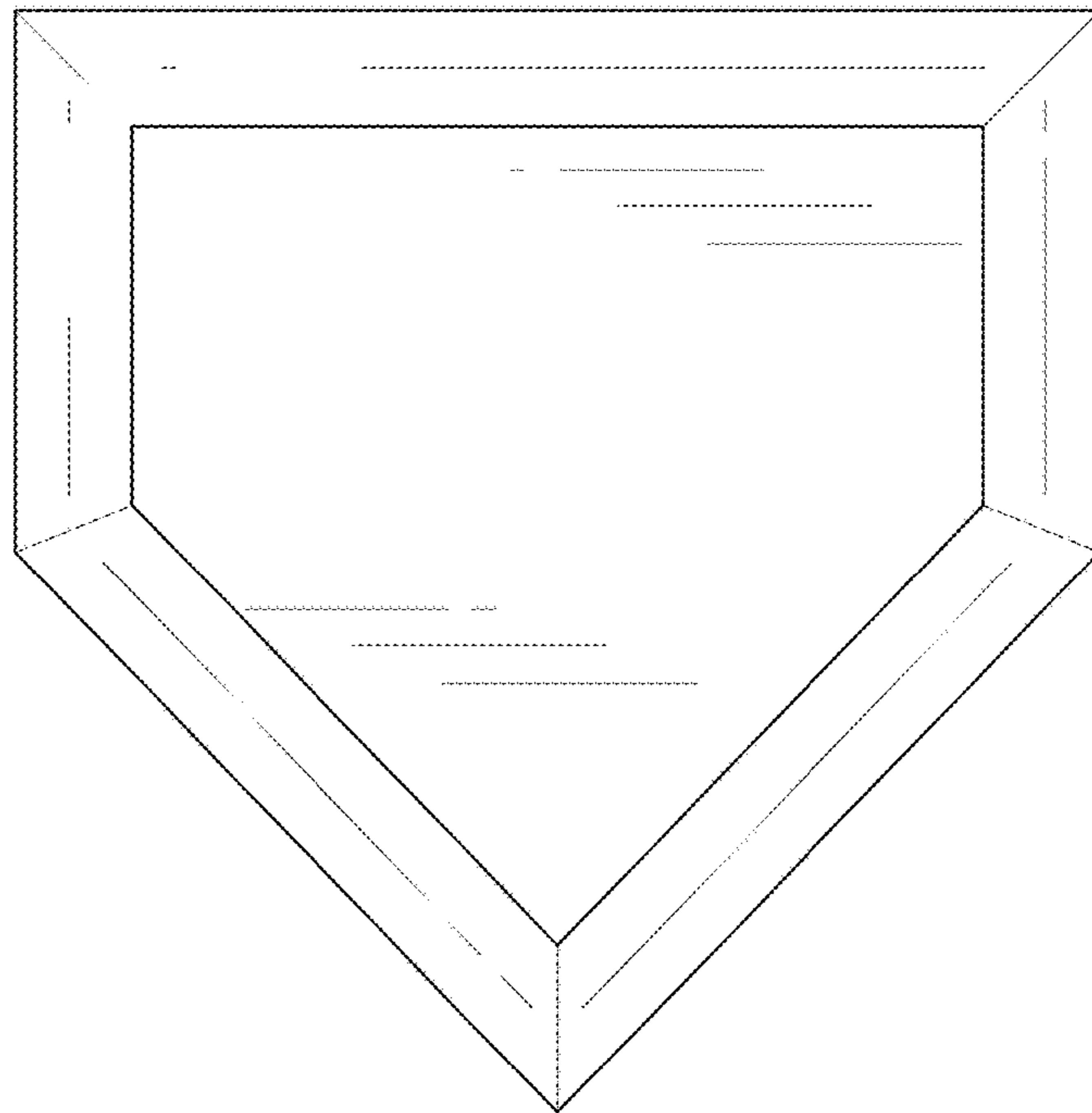


FIG. 6

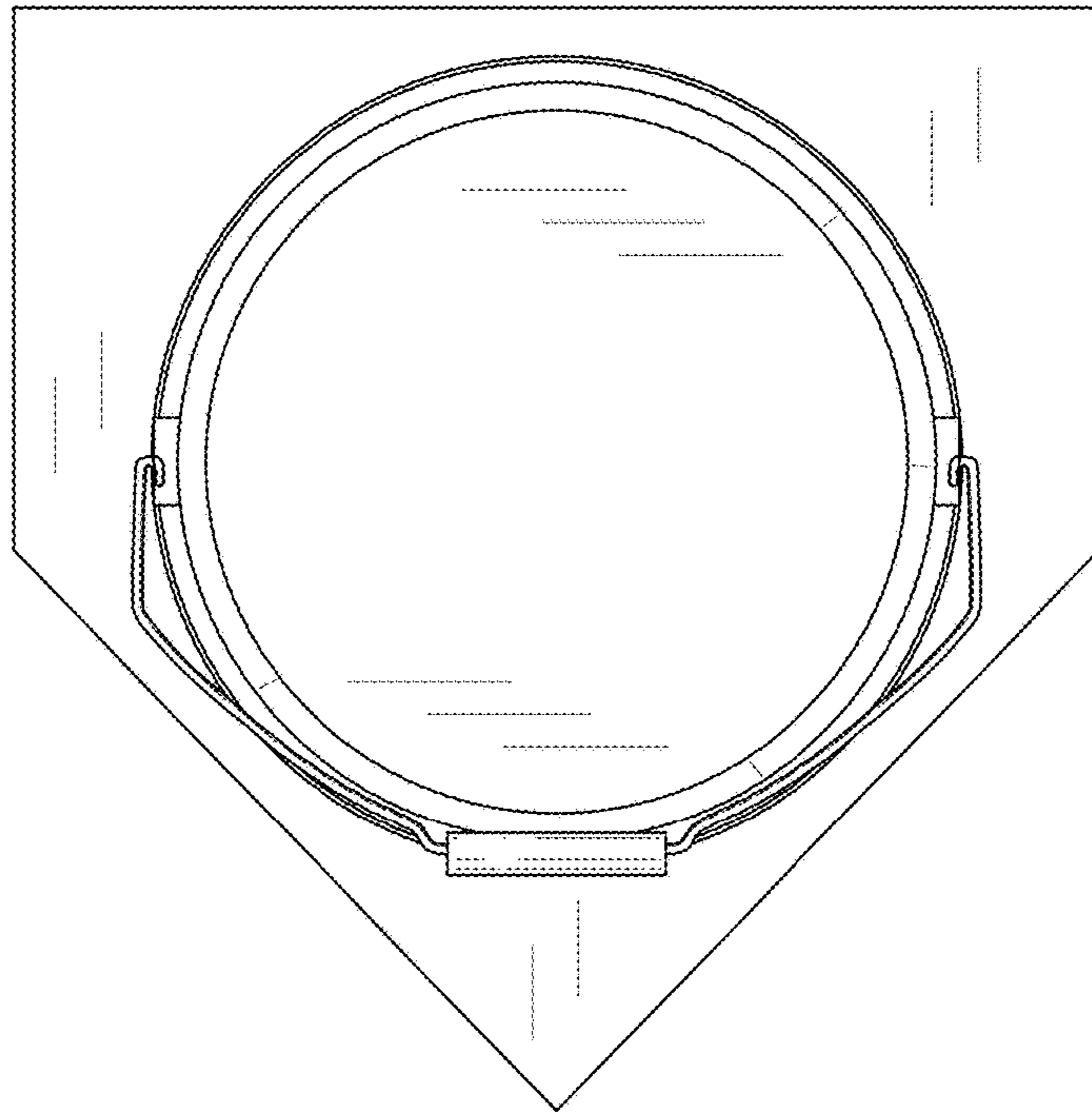


FIG. 7

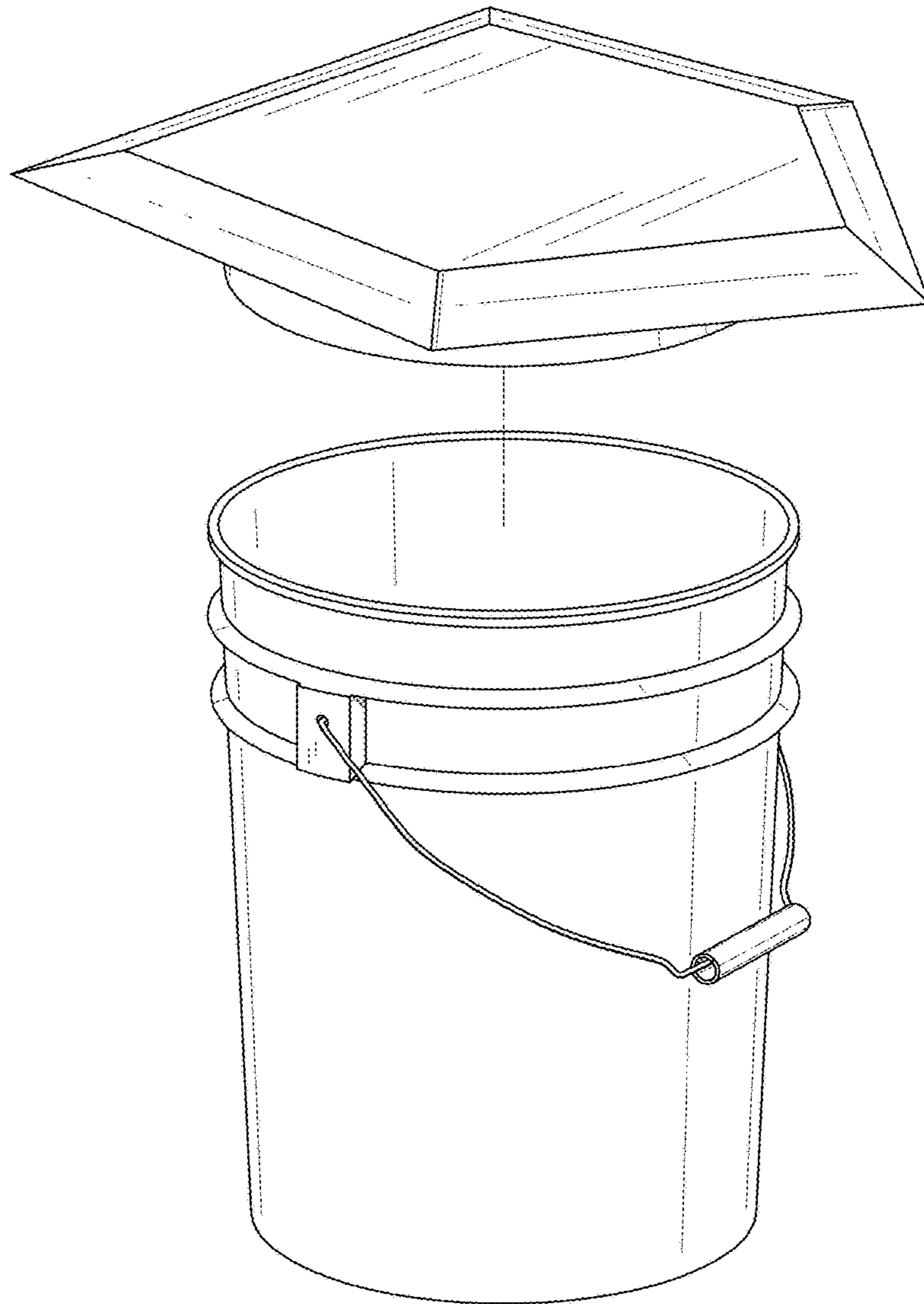


FIG. 8

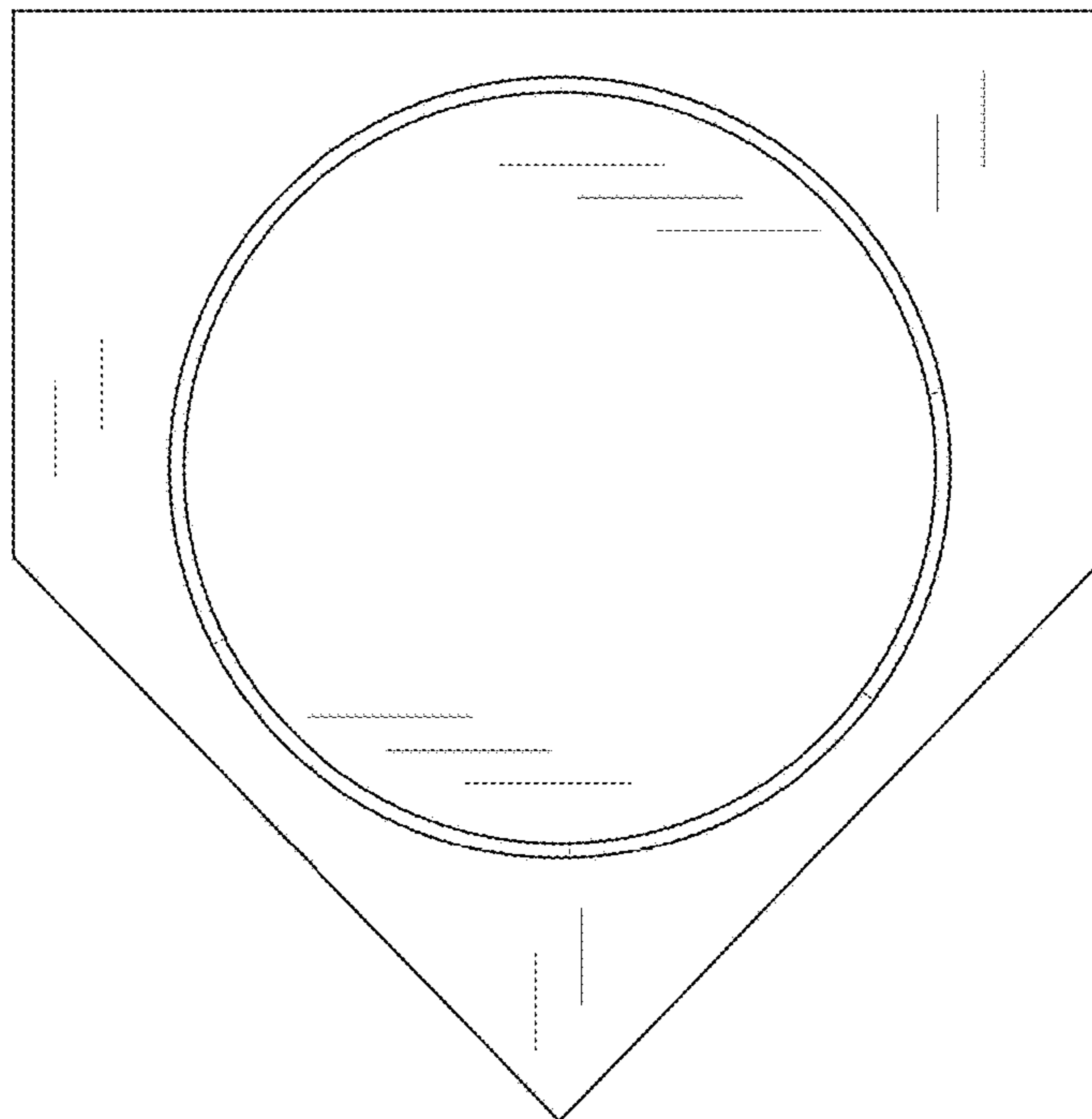


FIG. 9

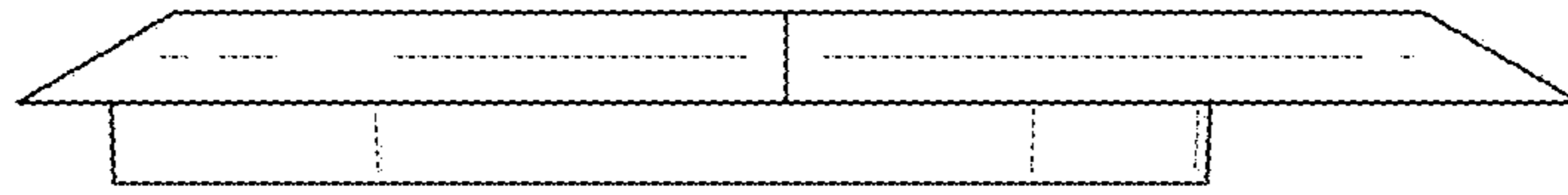


FIG. 10

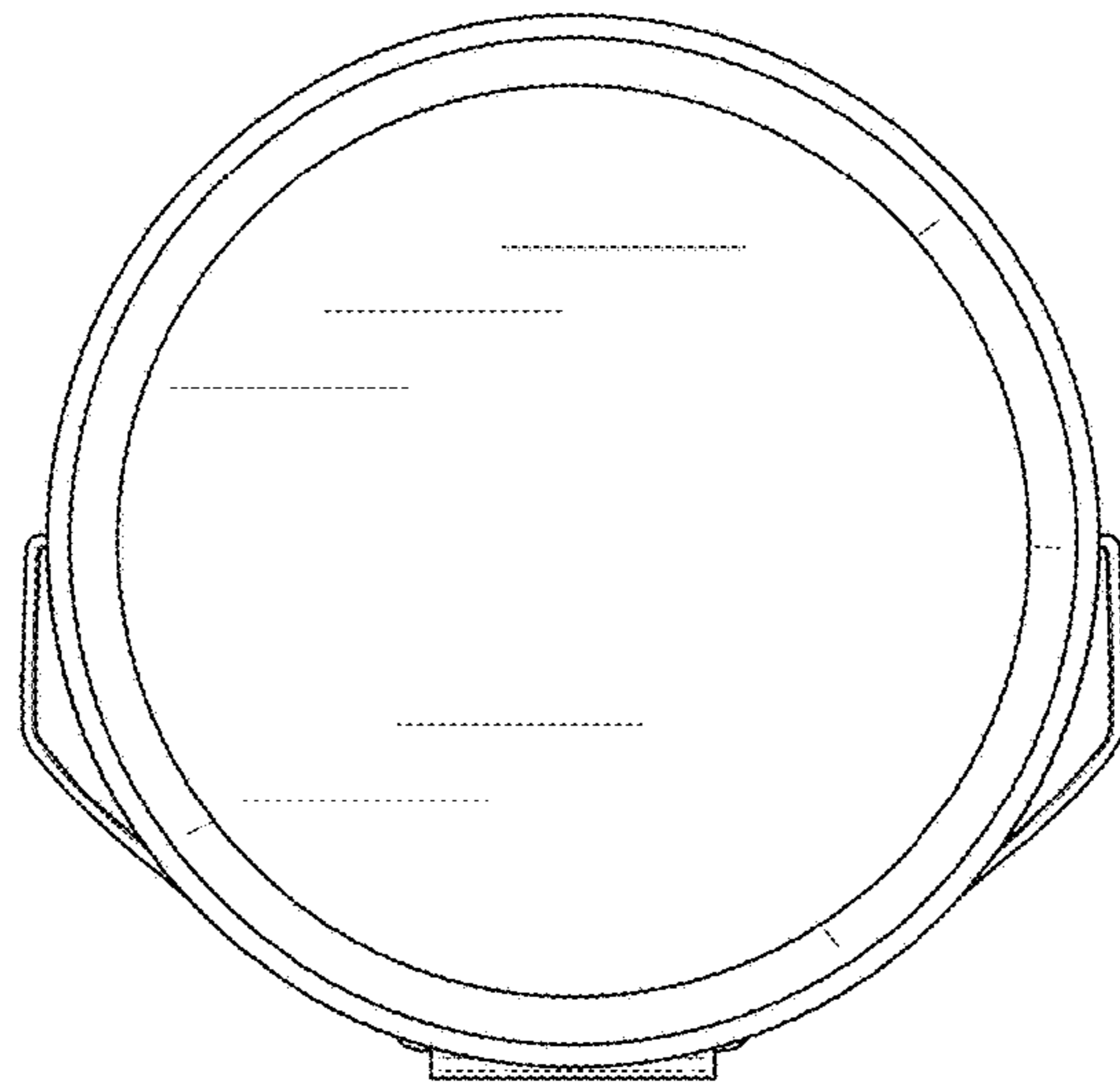


FIG. 11