



US00D808650S

(12) **United States Design Patent**  
**Taylor**

(10) **Patent No.:** **US D808,650 S**

(45) **Date of Patent:** **\*\* Jan. 30, 2018**

(54) **WALLET**

(71) Applicant: **Covert Clip Limited**, London (GB)

(72) Inventor: **Andrew Taylor**, London (GB)

(73) Assignee: **Covert Clip Limited**, London (GB)

(\*\*) Term: **15 Years**

(21) Appl. No.: **29/578,834**

(22) Filed: **Sep. 25, 2016**

(51) **LOC (11) Cl.** ..... **03-01**

(52) **U.S. Cl.**  
USPC ..... **D3/247**

(58) **Field of Classification Search**  
USPC ..... D3/247, 249–253  
CPC ..... A45C 1/06; A45C 3/08  
See application file for complete search history.

(56) **References Cited**

**U.S. PATENT DOCUMENTS**

D119,577 S \* 3/1940 Michel ..... D3/246  
D343,059 S \* 1/1994 Daniels ..... D3/218

D345,254 S \* 3/1994 Bodden ..... D3/243  
D581,665 S \* 12/2008 Gerbi ..... D3/245  
D712,138 S \* 9/2014 Kao ..... D3/232  
D714,048 S \* 9/2014 Wang ..... D3/232

\* cited by examiner

*Primary Examiner* — Holly H Baynham

(74) *Attorney, Agent, or Firm* — Levy & Grandinetti

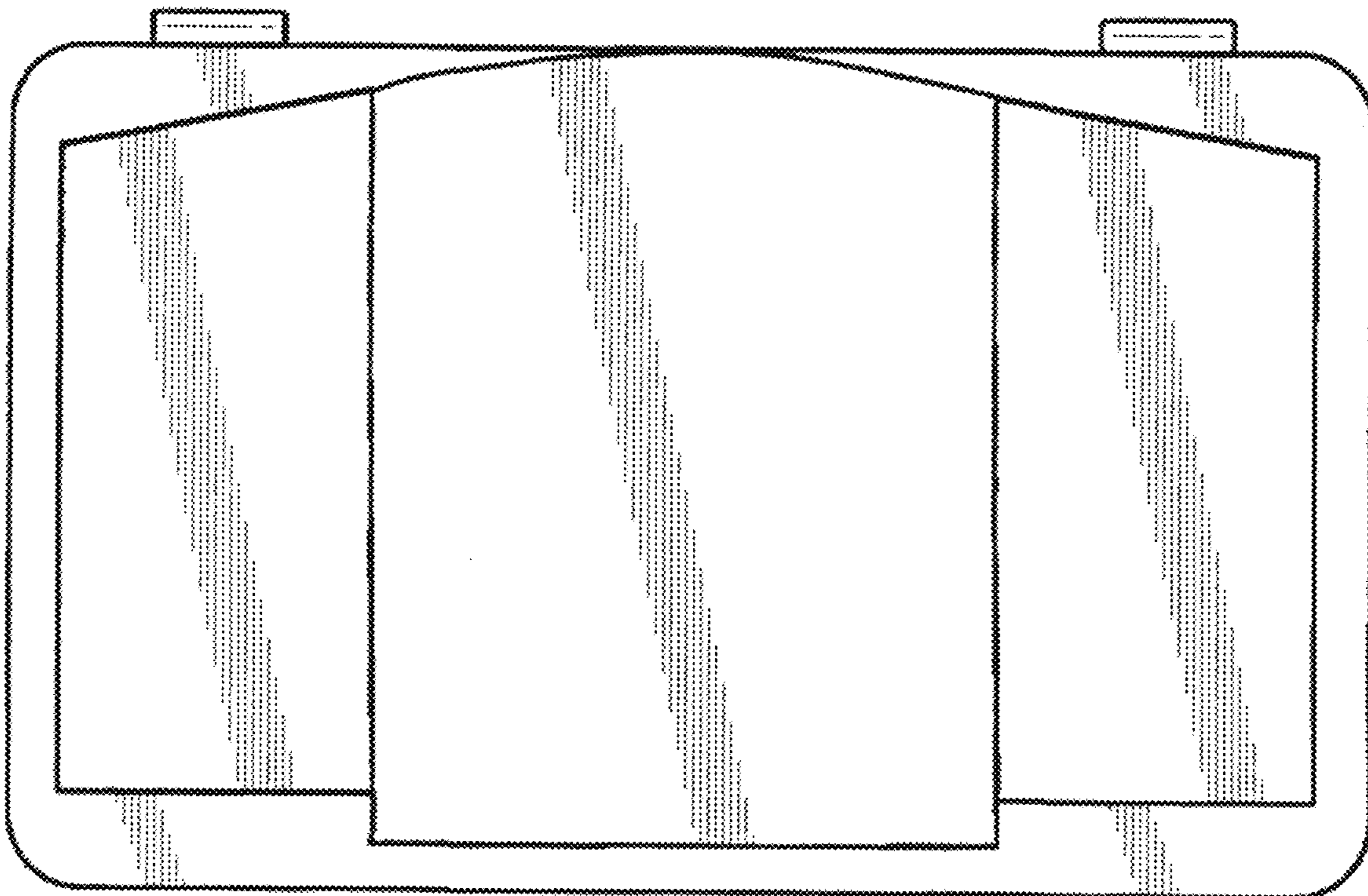
(57) **CLAIM**

The ornamental design for a wallet, as shown and described.

**DESCRIPTION**

FIG. 1 is a front view of a wallet;  
FIG. 2 is a back view of the wallet of FIG. 1;  
FIG. 3 is a top view of the wallet of FIG. 1;  
FIG. 4 is a bottom view of the wallet of FIG. 1;  
FIG. 5 is a side view of the wallet of FIG. 1;  
FIG. 6 is a front perspective view of the wallet of FIG. 1;  
and,  
FIG. 7 is a back perspective view of the wallet of FIG. 1.

**1 Claim, 7 Drawing Sheets**



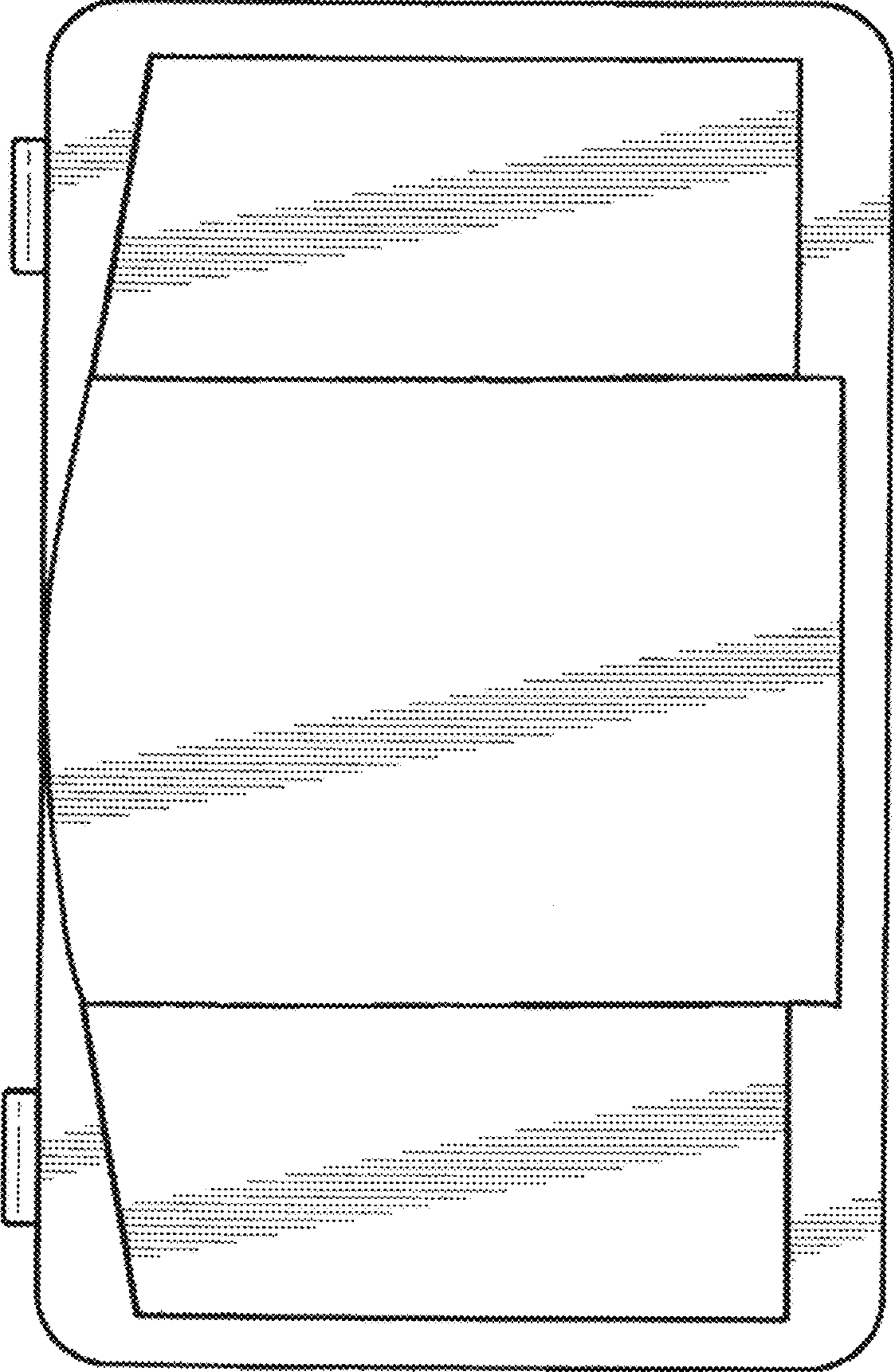


Fig. 1

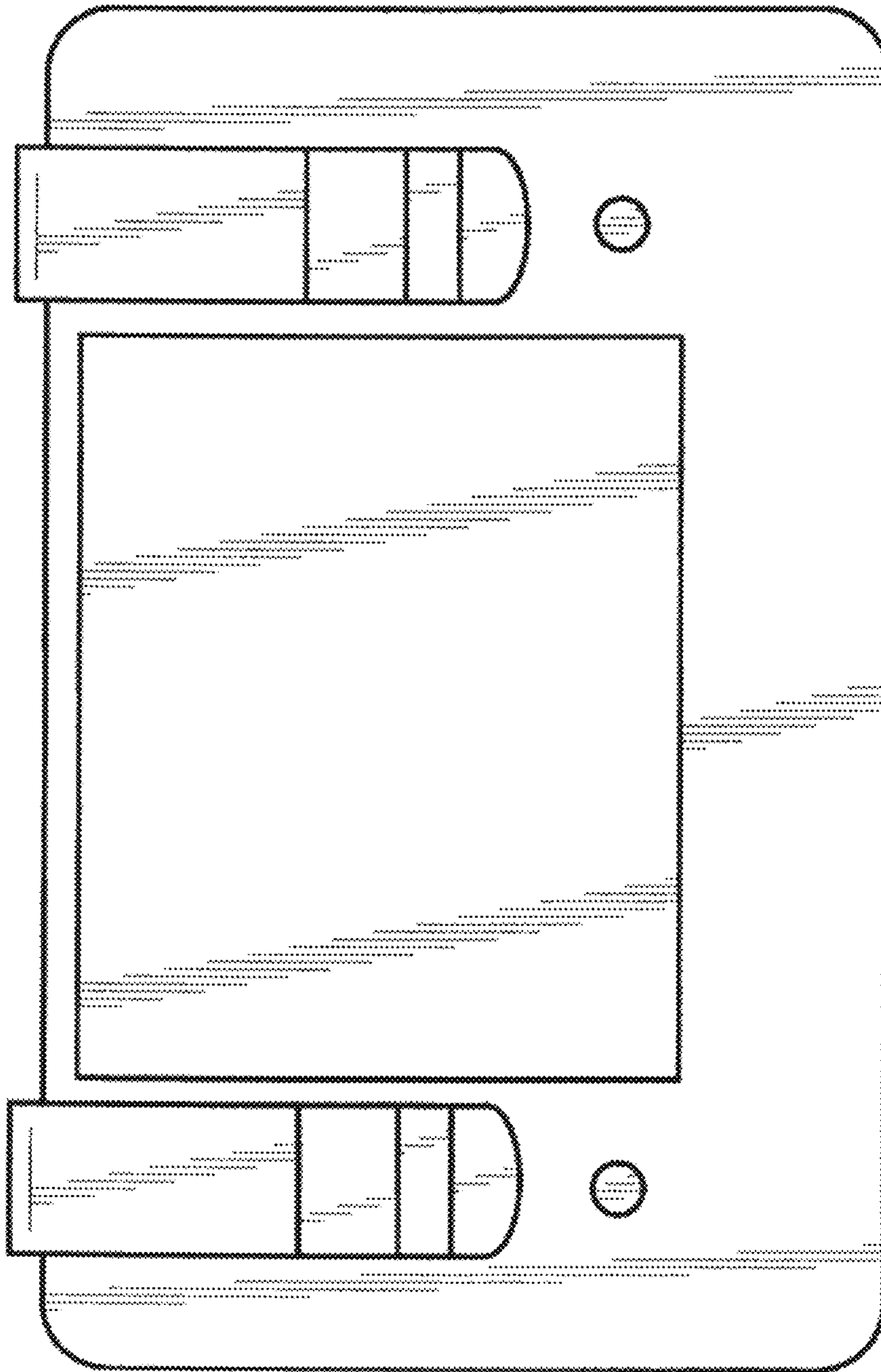


Fig. 2

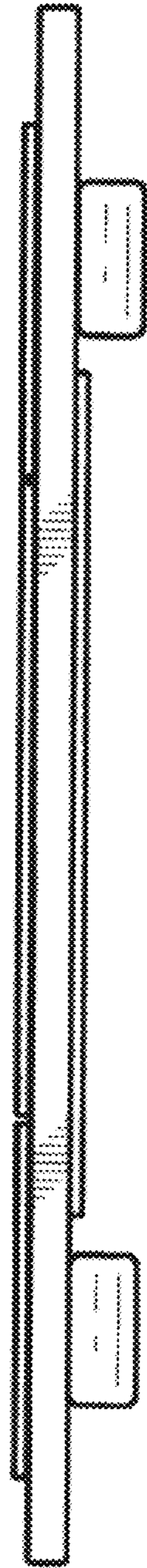


Fig. 3

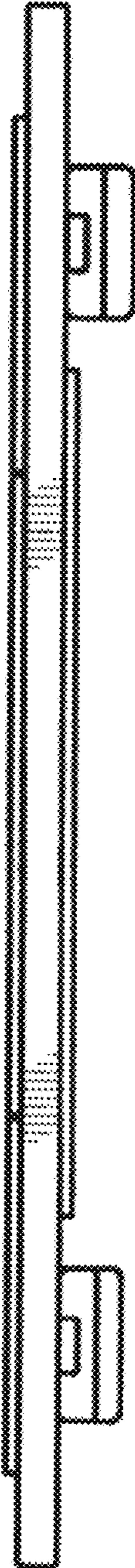


Fig. 4

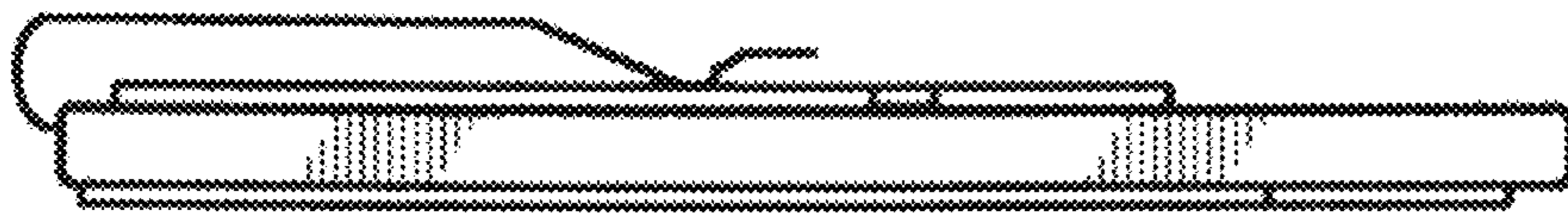


Fig. 5

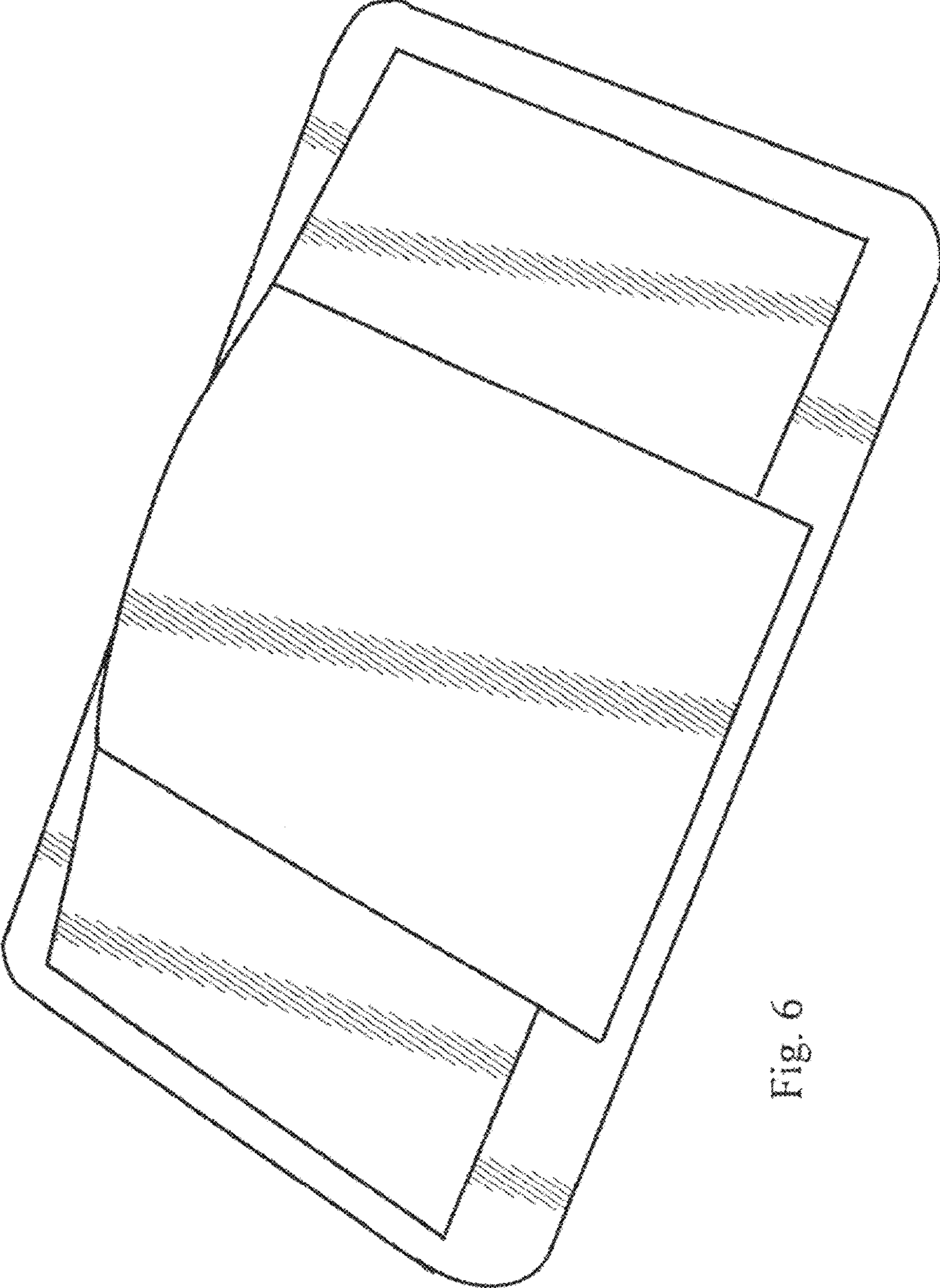


Fig. 6

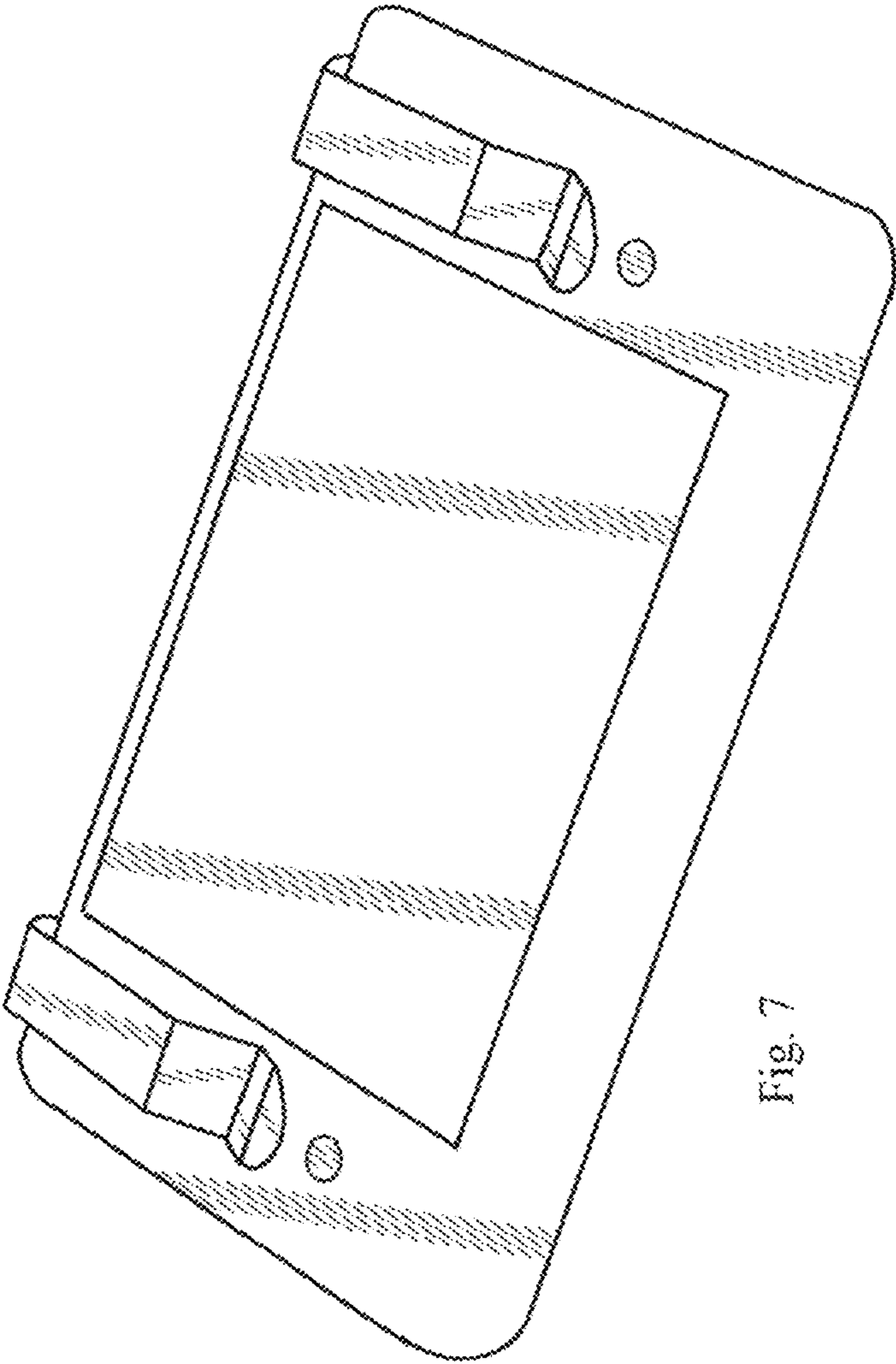


Fig. 7