



US00D808644S

(12) **United States Design Patent**
Overton

(10) **Patent No.:** **US D808,644 S**
(45) **Date of Patent:** **** Jan. 30, 2018**

- (54) **JOGGING BELT**
- (71) Applicant: **Overton Enterprises, LLC**, Austin, TX (US)
- (72) Inventor: **Kimberley J. Overton**, Austin, TX (US)
- (73) Assignee: **OVERTON ENTERPRISES, LLC**, Austin, TX (US)
- (**) Term: **15 Years**
- (21) Appl. No.: **29/546,061**

D692,655 S * 11/2013 Perrea D3/226
 D731,786 S * 6/2015 Chen D3/226
 D783,273 S * 4/2017 Kanner D3/226

* cited by examiner

Primary Examiner — Catherine R Oliver-Garcia
(74) *Attorney, Agent, or Firm* — Conley Rose, P.C.

- (22) Filed: **Nov. 18, 2015**
- (51) **LOC (11) Cl.** **03-01**
- (52) **U.S. Cl.**
USPC **D3/226**
- (58) **Field of Classification Search**
USPC D3/226, 224, 215, 221; 224/219, 222,
224/267, 269, 901.4, 660; D2/627–631
CPC A41F 1/00; A41F 9/00; A41F 9/002; A41F
9/02; A41F 9/025; A45F 3/00; A45F
3/005; A45F 3/006; A45C 1/04
See application file for complete search history.

(57) **CLAIM**

The ornamental design for a jogging belt, as shown and described.

DESCRIPTION

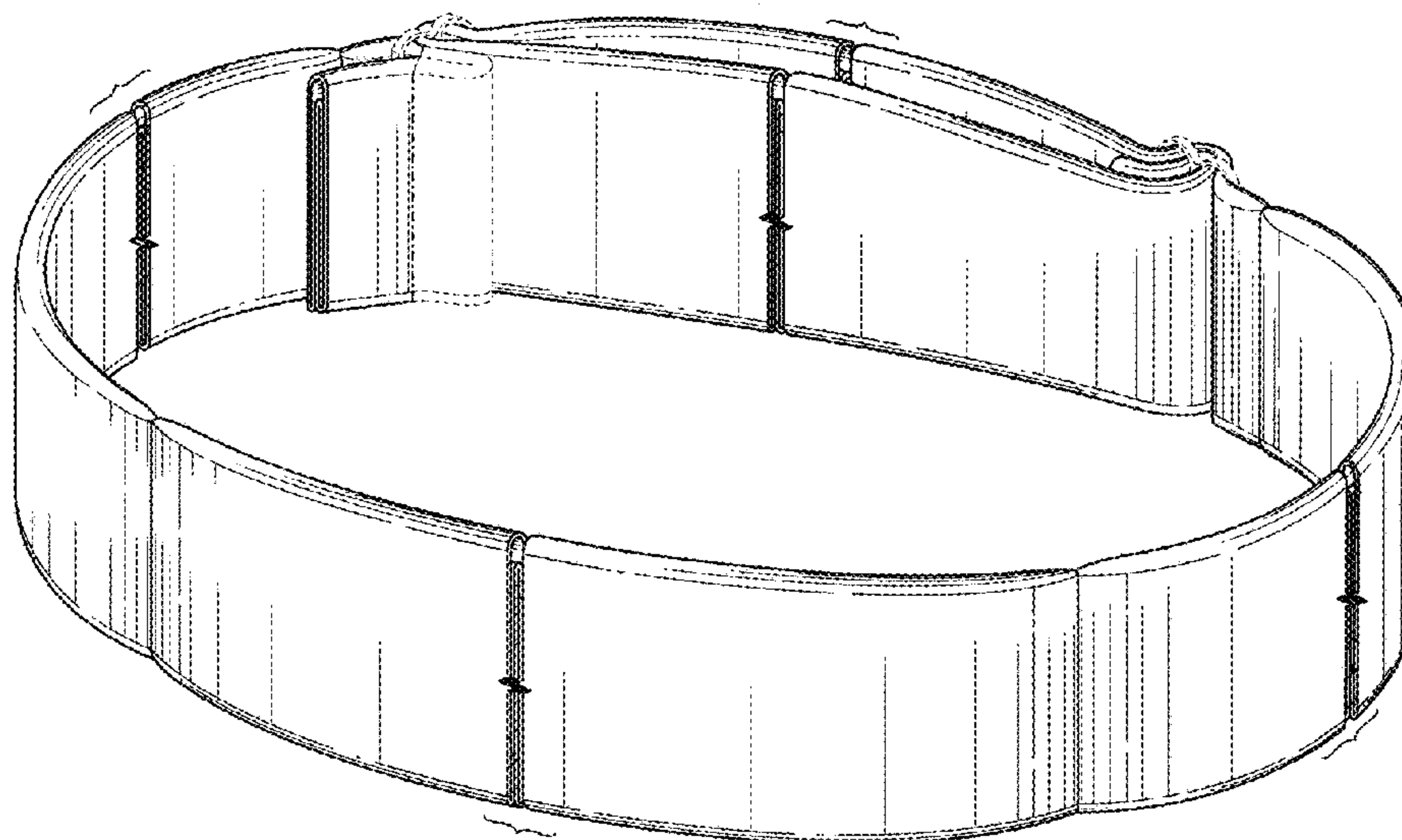
FIG. 1 is a perspective view of a jogging belt showing our new design;
 FIG. 2 is a front elevation view thereof;
 FIG. 3 is a rear elevation view thereof;
 FIG. 4 is a left side elevation view thereof;
 FIG. 5 is a right side elevation view thereof;
 FIG. 6 is a top plan view thereof;
 FIG. 7 is a bottom plan view thereof;
 FIG. 8 is a cross-sectional view taken along line 8-8 of FIG. 6 thereof;
 FIG. 9 is a cross-sectional view taken along line 9-9 of FIG. 6 thereof;
 FIG. 10 is a bottom perspective view thereof; and,
 FIG. 11 is perspective view of the jogging belt shown in use.
 The portion of the jogging belt shown in broken lines depicts environment and is shown for illustrative purposes and forms no part of the claimed design. The jogging belt is shown with symbolic breaks in its length. The appearance of any portion of the article between the break lines forms no part of the claimed design.
 The dash dot lines shown in FIGS. 1 and 10 represent a boundary line.

(56) **References Cited**

U.S. PATENT DOCUMENTS

- 1,606,667 A * 11/1926 Rosenberg A41F 9/002
224/236
- D257,409 S * 10/1980 Kishbaugh D3/224
- D259,151 S * 5/1981 Kishbaugh 224/662
- 4,327,853 A * 5/1982 Adams A41F 9/002
224/222
- 4,509,214 A * 4/1985 Shea A41F 9/002
D2/627
- D613,500 S * 4/2010 Overton A45F 3/14
D3/226
- D668,862 S * 10/2012 Pomerantz D3/224

1 Claim, 6 Drawing Sheets



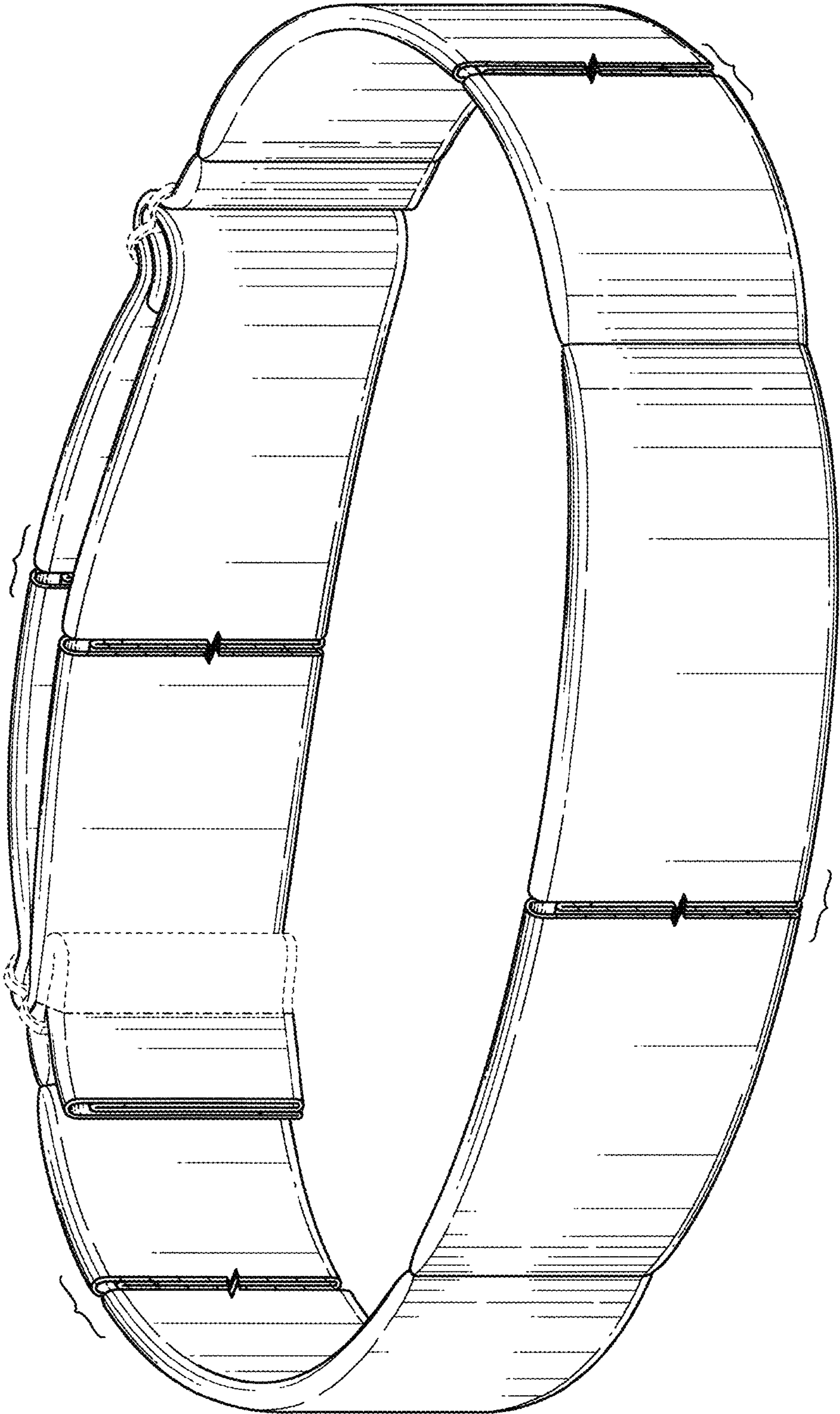


FIG. 1

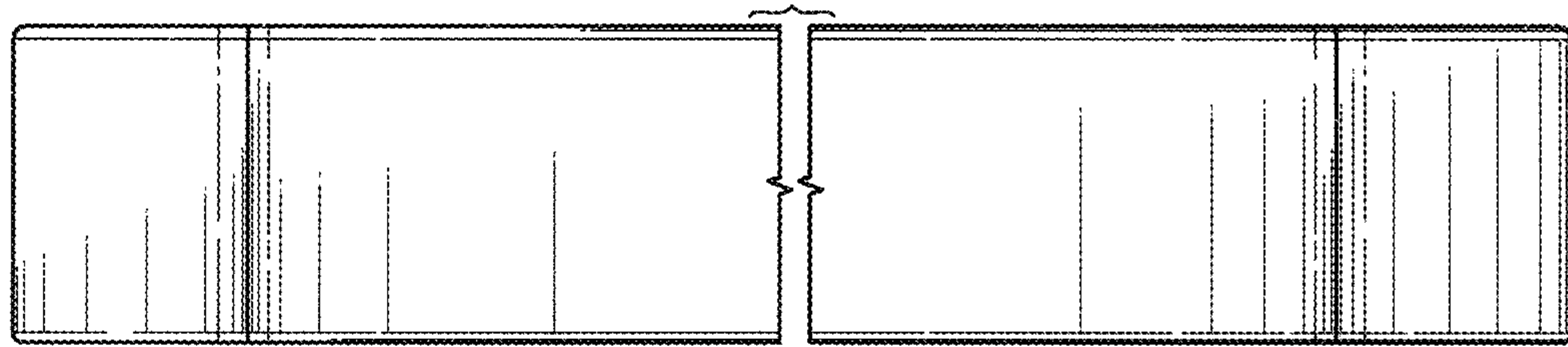


FIG. 2

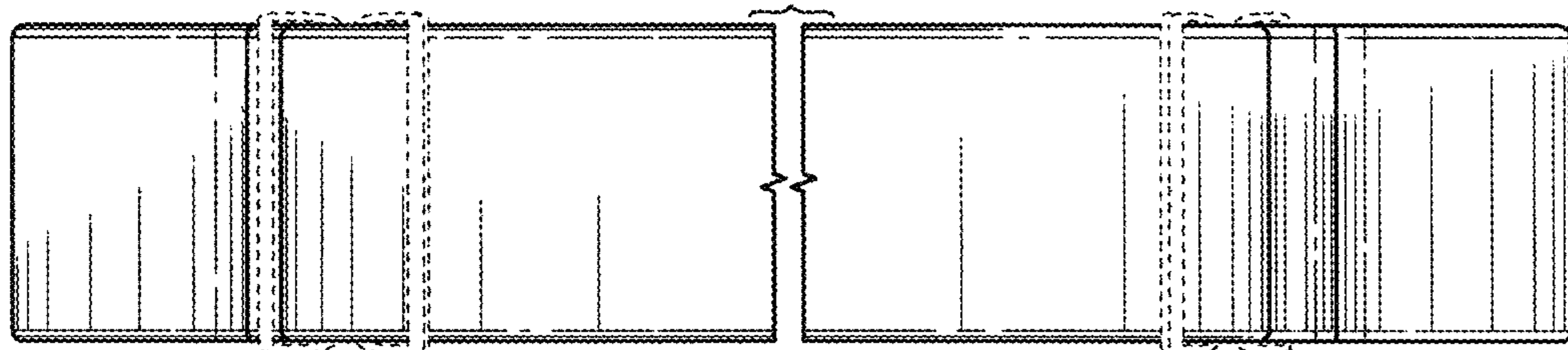


FIG. 3

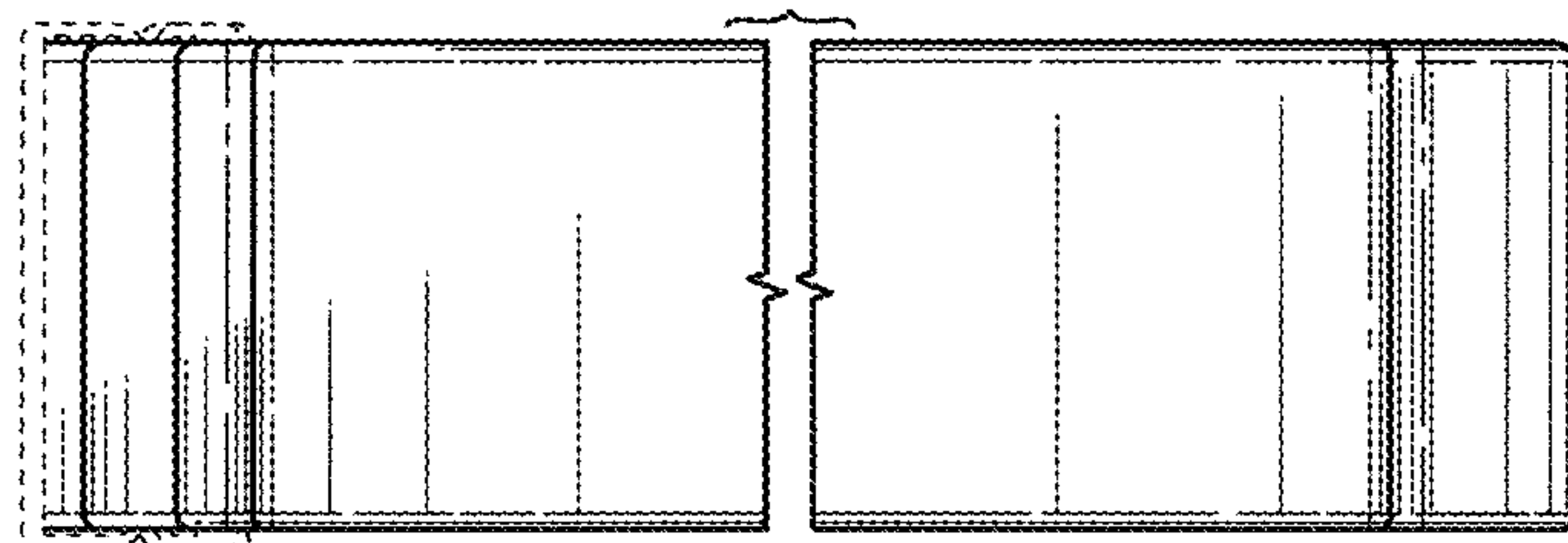


FIG. 4

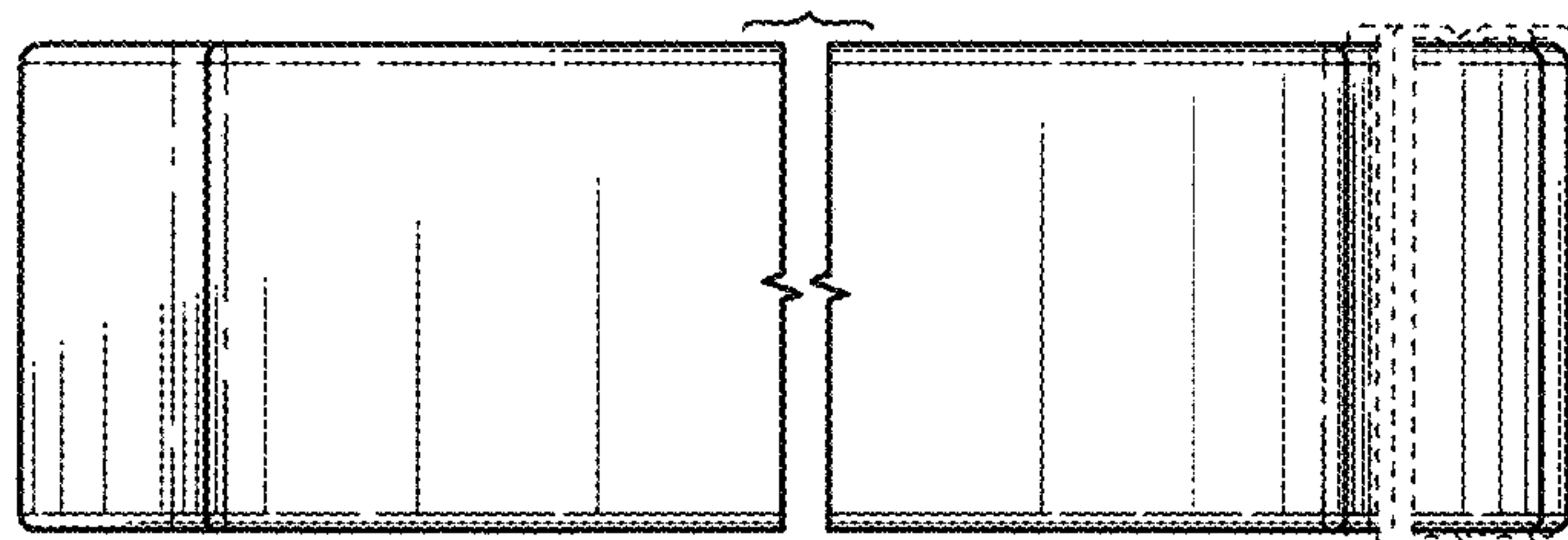
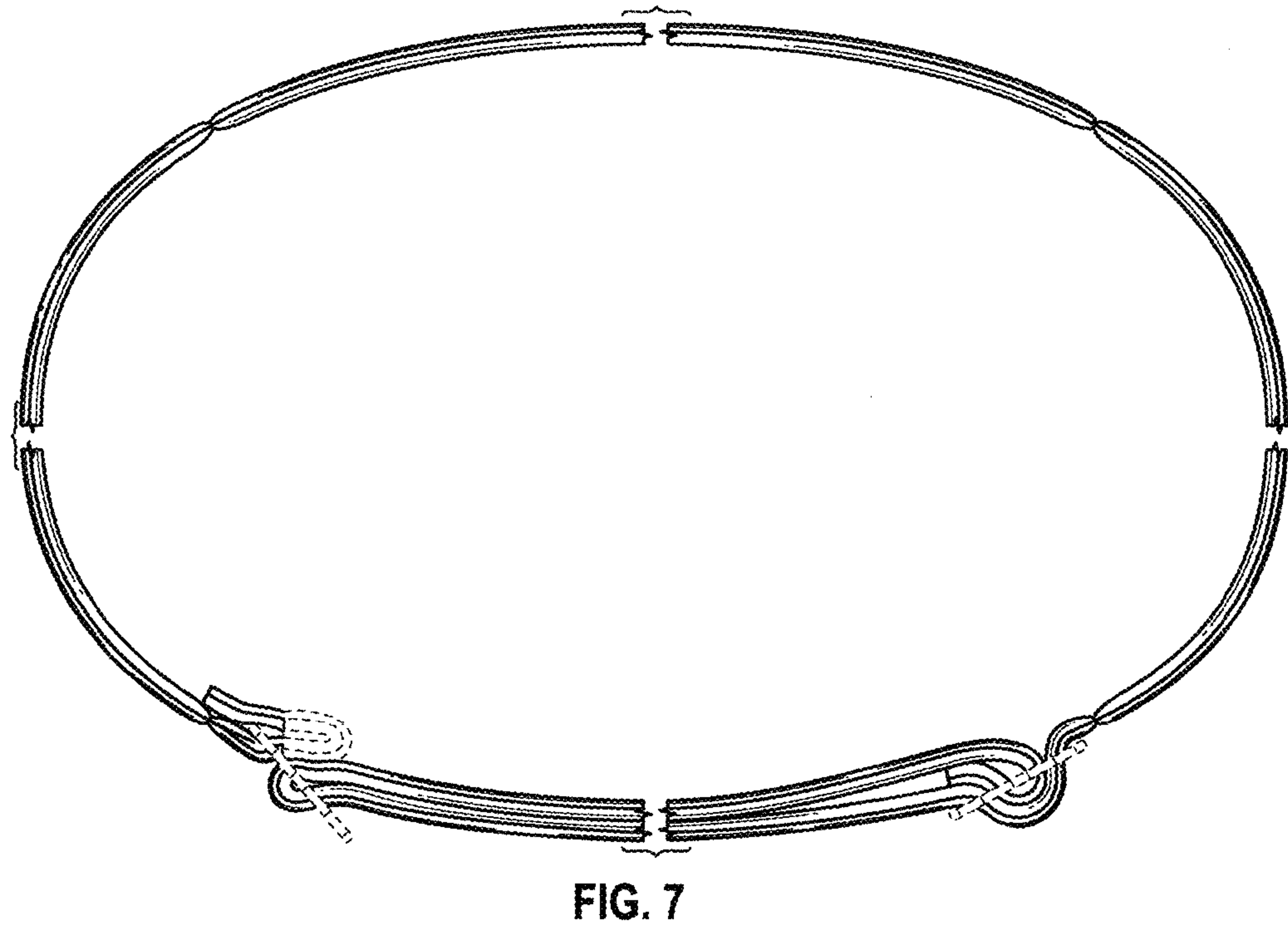
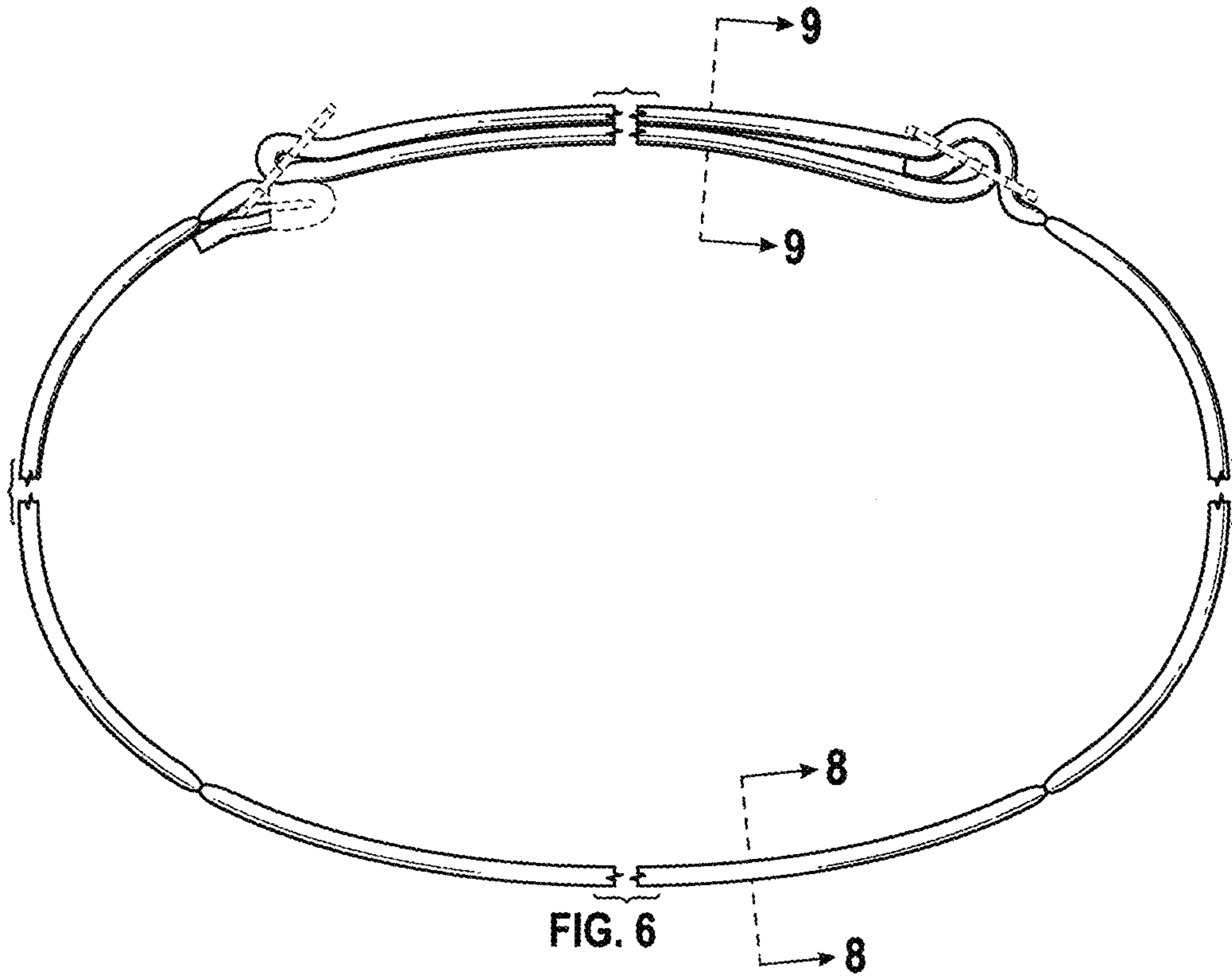


FIG. 5



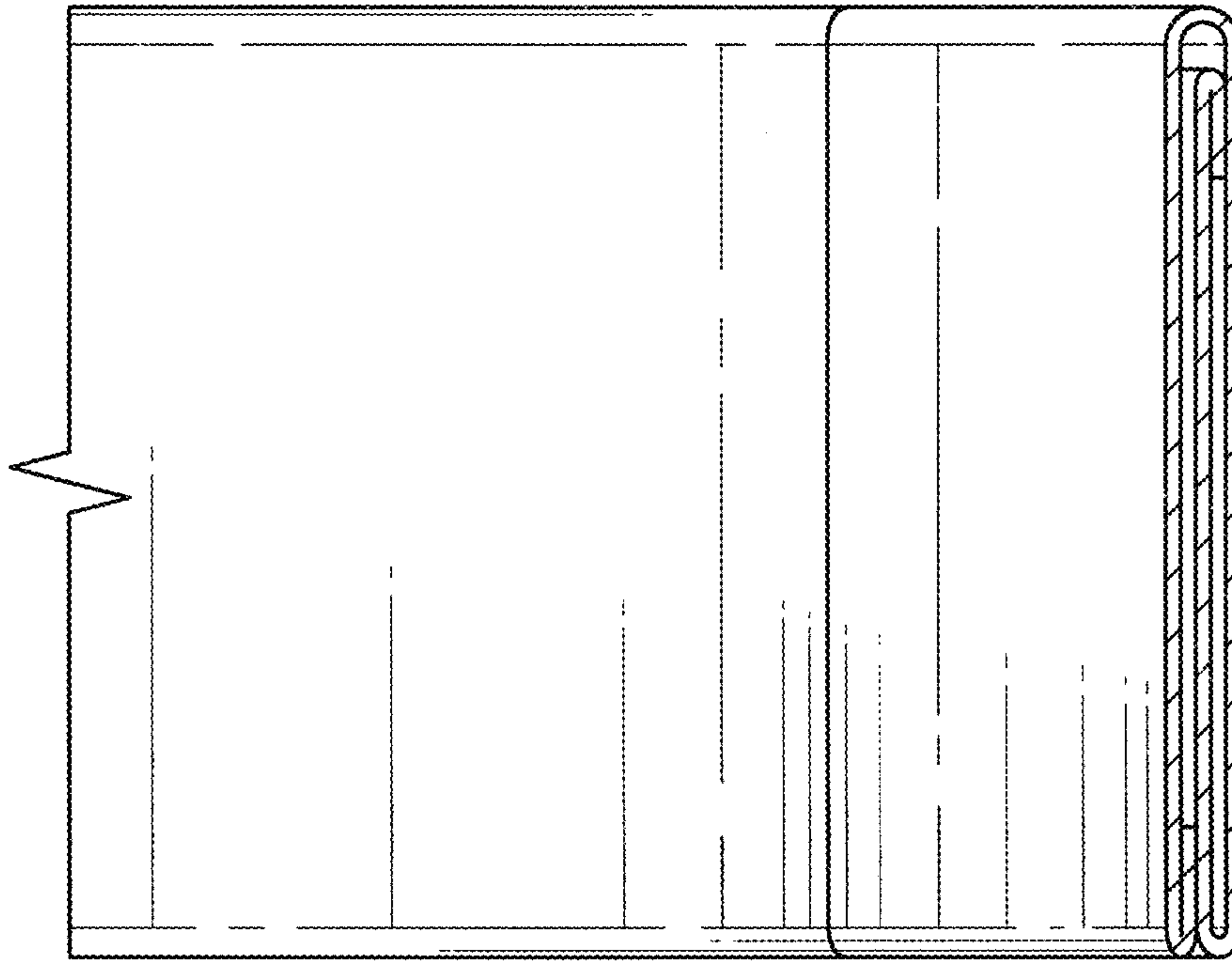


FIG. 8

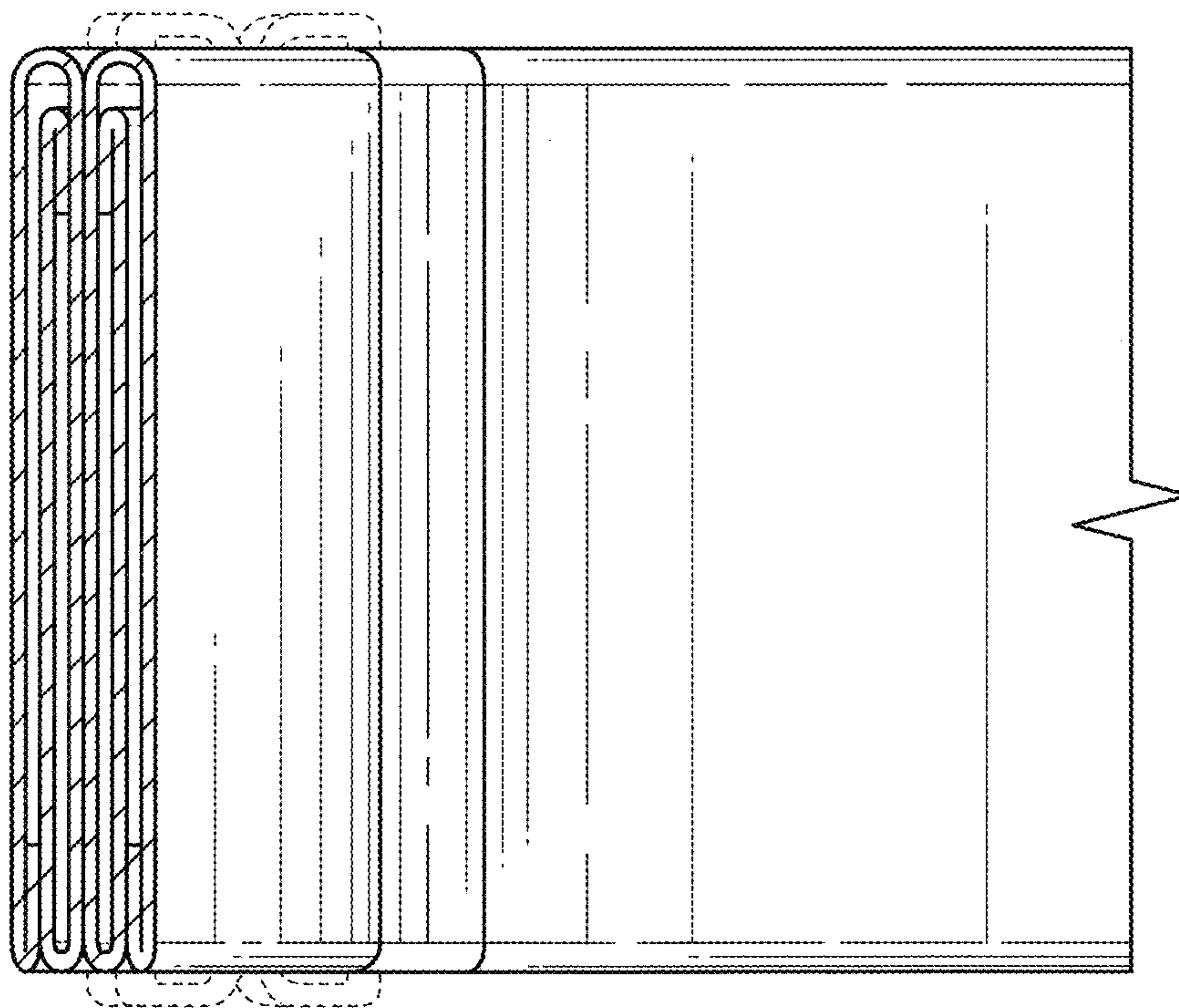


FIG. 9

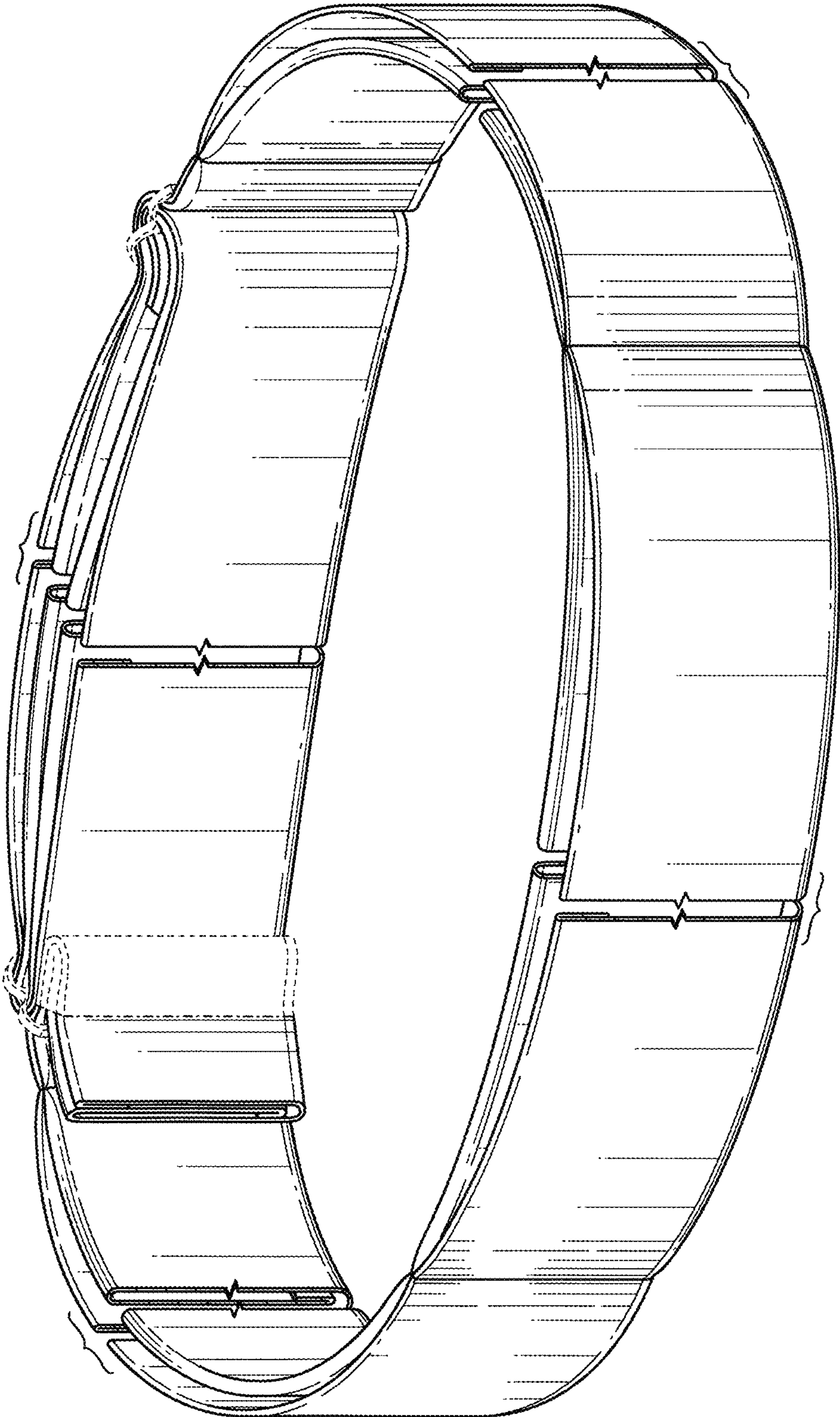


FIG. 10

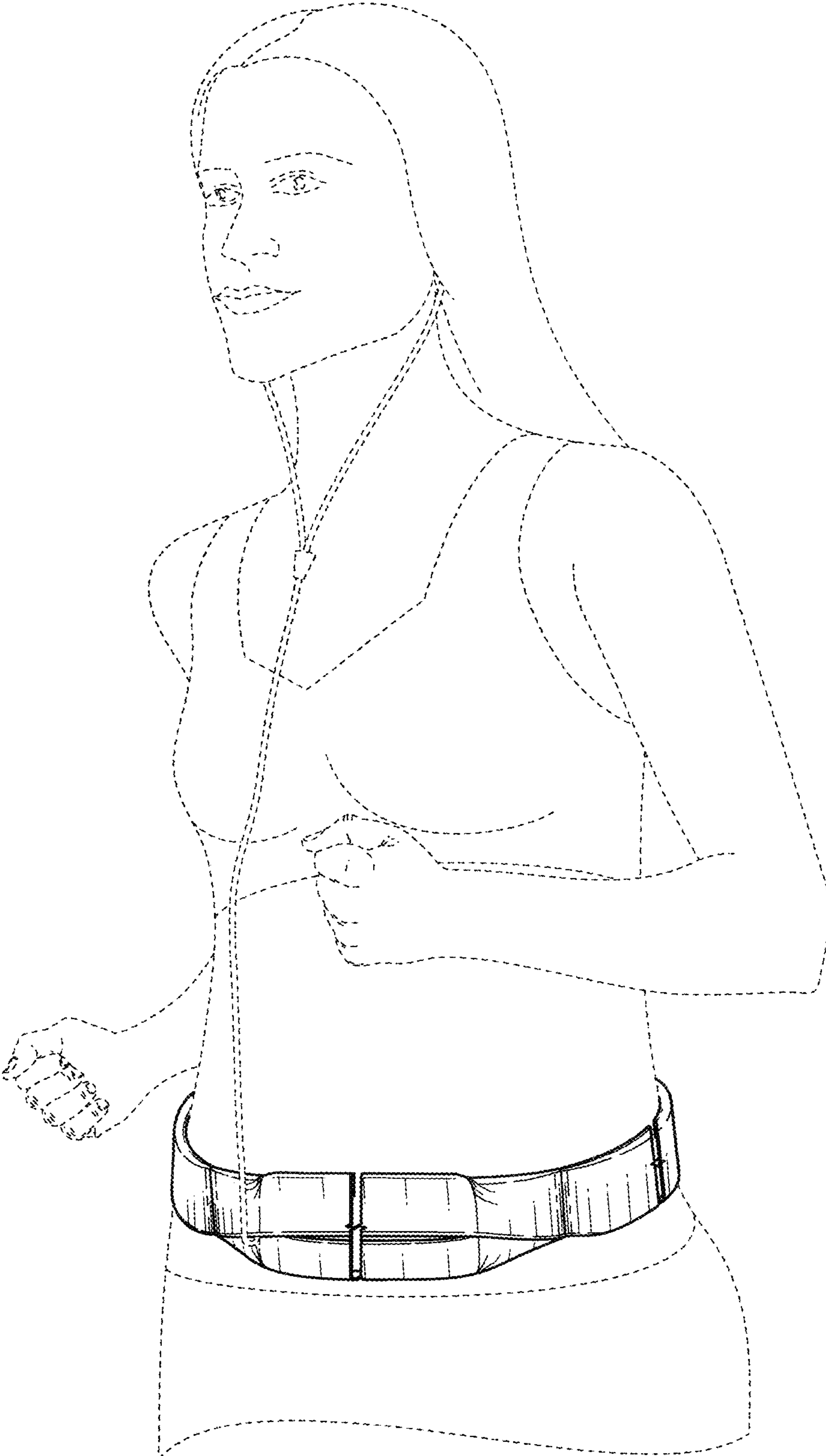


FIG. 11