

US00D808641S

(12) **United States Design Patent**
Clover et al.

(10) **Patent No.:** **US D808,641 S**

(45) **Date of Patent:** **** Jan. 30, 2018**

(54) **COMMUNICATION AND SENSOR HUB BELT CLIP**

(71) Applicant: **3M INNOVATIVE PROPERTIES COMPANY**, St. Paul, MN (US)

(72) Inventors: **Kristopher W. Clover**, Minnetonka, MN (US); **Steven T. Awiszus**, Woodbury, MN (US)

(73) Assignee: **3M INNOVATIVE PROPERTIES COMPANY**, St. Paul, MN (US)

(**) Term: **15 Years**

(21) Appl. No.: **29/572,107**

(22) Filed: **Jul. 25, 2016**

(51) **LOC (11) Cl.** **03-01**

(52) **U.S. Cl.**

USPC **D3/218**

(58) **Field of Classification Search**

USPC D3/218–219, 215, 201, 224, 226, 228, D3/269, 301, 303; 206/305, 320; D14/252–253; 379/446, 455; 455/557, 455/569.1; 248/309.1, 311.2, 634, 682
CPC A45F 5/00; A45F 5/02; A45F 5/021; A45F 2200/0591; A45F 2200/05; A45F 2200/0516; A45F 2200/0508; B60R 11/0241; F16M 11/041; F04M 1/04; F04M 1/6075

See application file for complete search history.

(56) **References Cited**

U.S. PATENT DOCUMENTS

D369,465 S * 5/1996 Scheid D3/218
D379,712 S * 6/1997 Khoo D3/218

D520,739 S * 5/2006 Tsai D3/218
D571,372 S 6/2008 Brefka
D641,974 S * 7/2011 Stampfli D3/218
D649,347 S * 11/2011 Smith D3/218
D685,991 S * 7/2013 Pearce D3/218
D765,393 S * 9/2016 Kim D14/253
D776,916 S * 1/2017 Yeruva D14/253
D777,422 S * 1/2017 Karl, IV D3/218
2010/0315228 A1 12/2010 Grilliot

* cited by examiner

Primary Examiner — Catherine R Oliver-Garcia

(57) **CLAIM**

The ornamental design for a communication and sensor hub belt clip, as shown and described.

DESCRIPTION

FIG. 1 is a perspective view showing the new design for a communication and sensor hub belt clip. As shown, the communication and sensor hub belt clip is oriented vertically;

FIG. 2 is a front view thereof;

FIG. 3 is a rear view thereof;

FIG. 4 is a side view thereof;

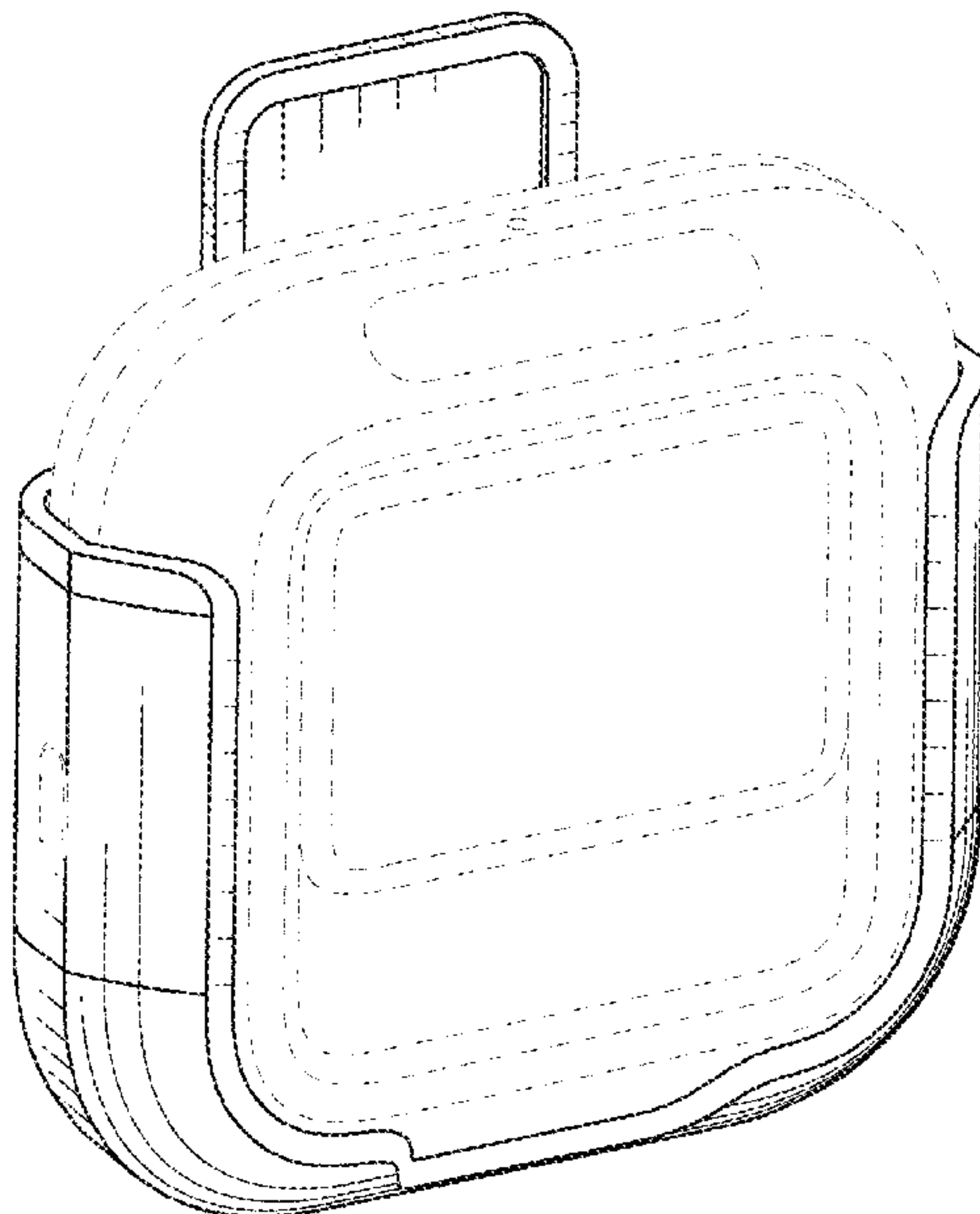
FIG. 5 is a top view thereof;

FIG. 6 is a bottom view thereof; and,

FIG. 7 is a perspective view thereof with a communication and sensor hub positioned within the belt clip.

The broken lines depict environment and are included for the purpose of illustrating only and form no part of the claimed design.

1 Claim, 3 Drawing Sheets



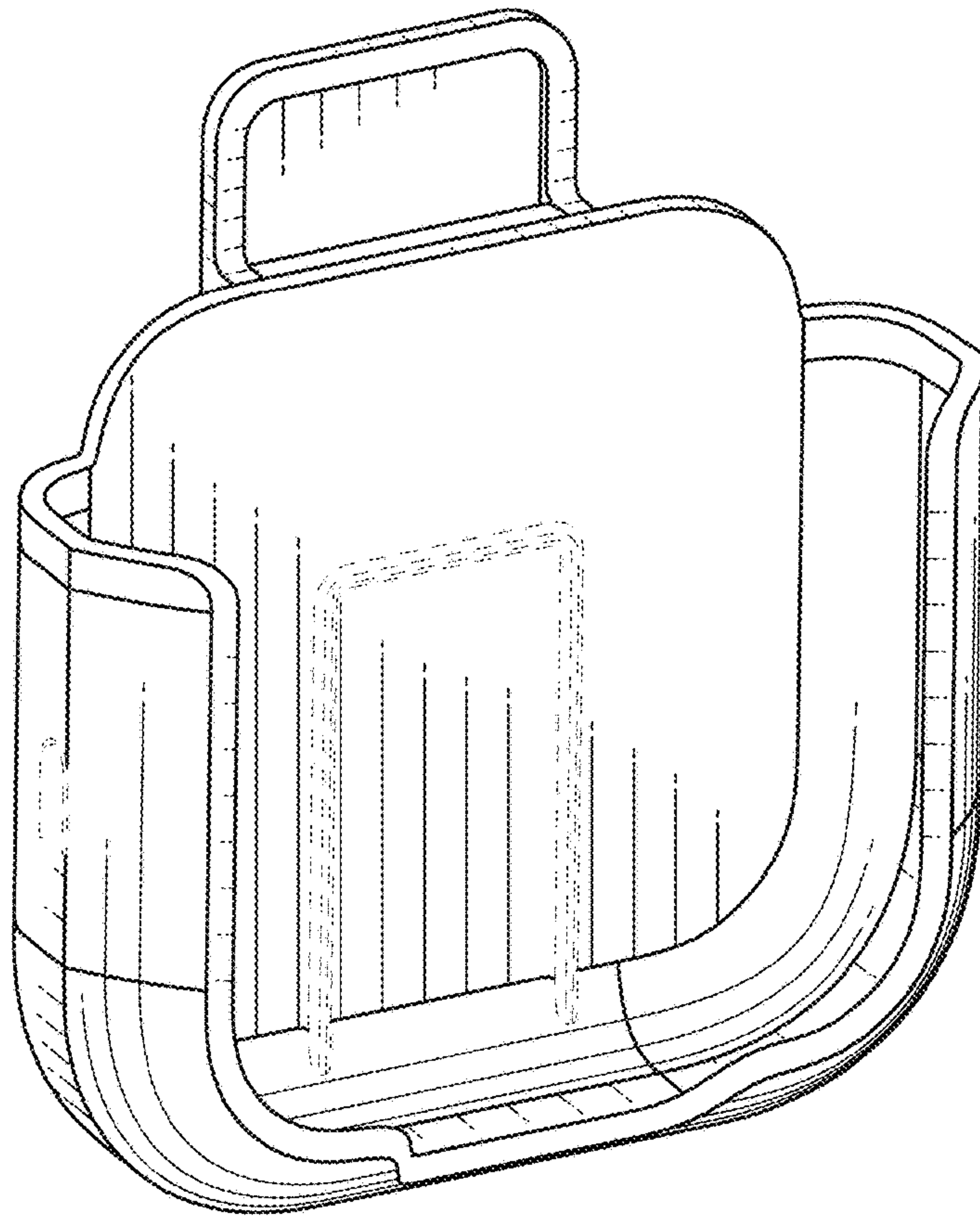


FIG. 1

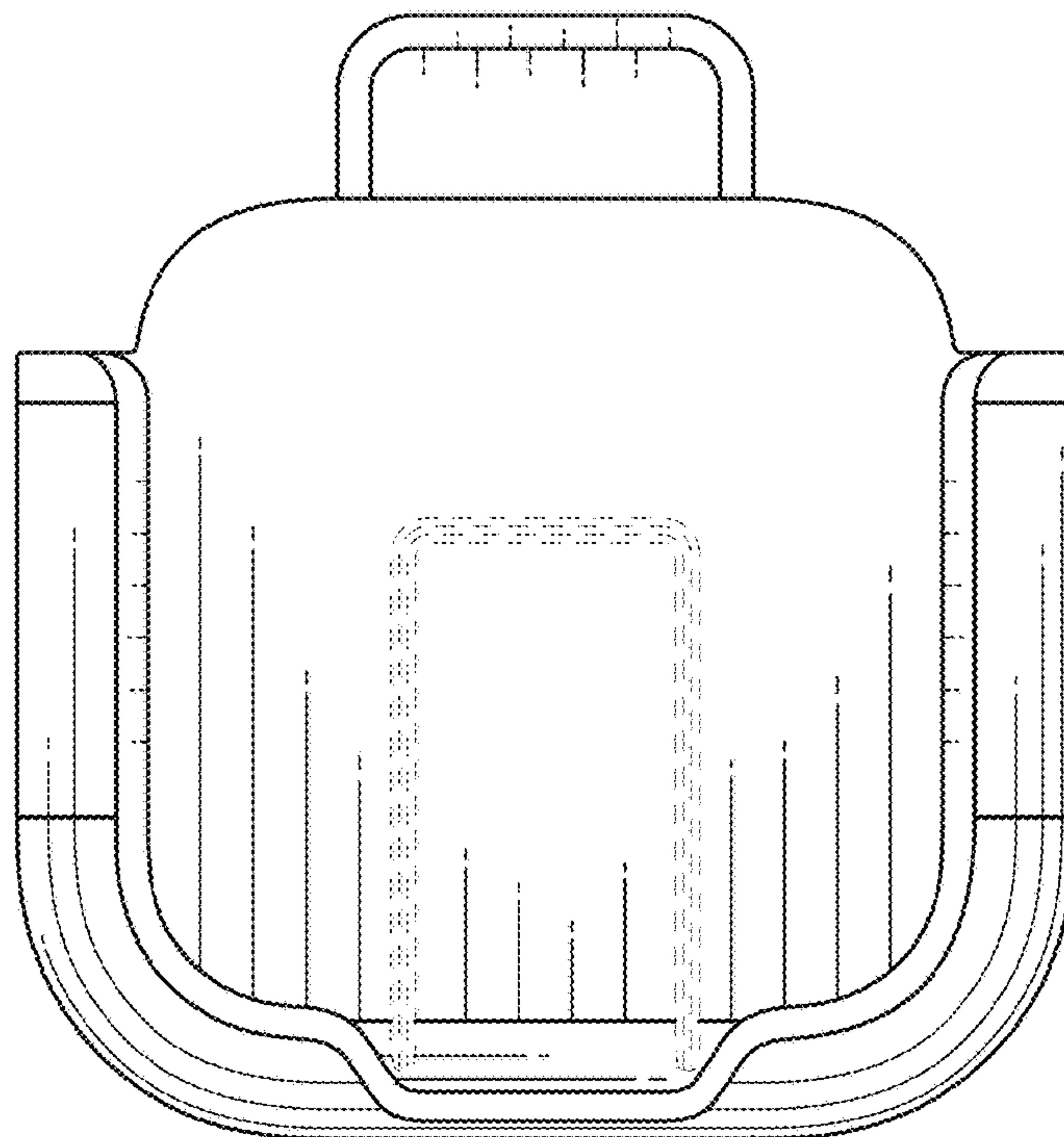


FIG. 2

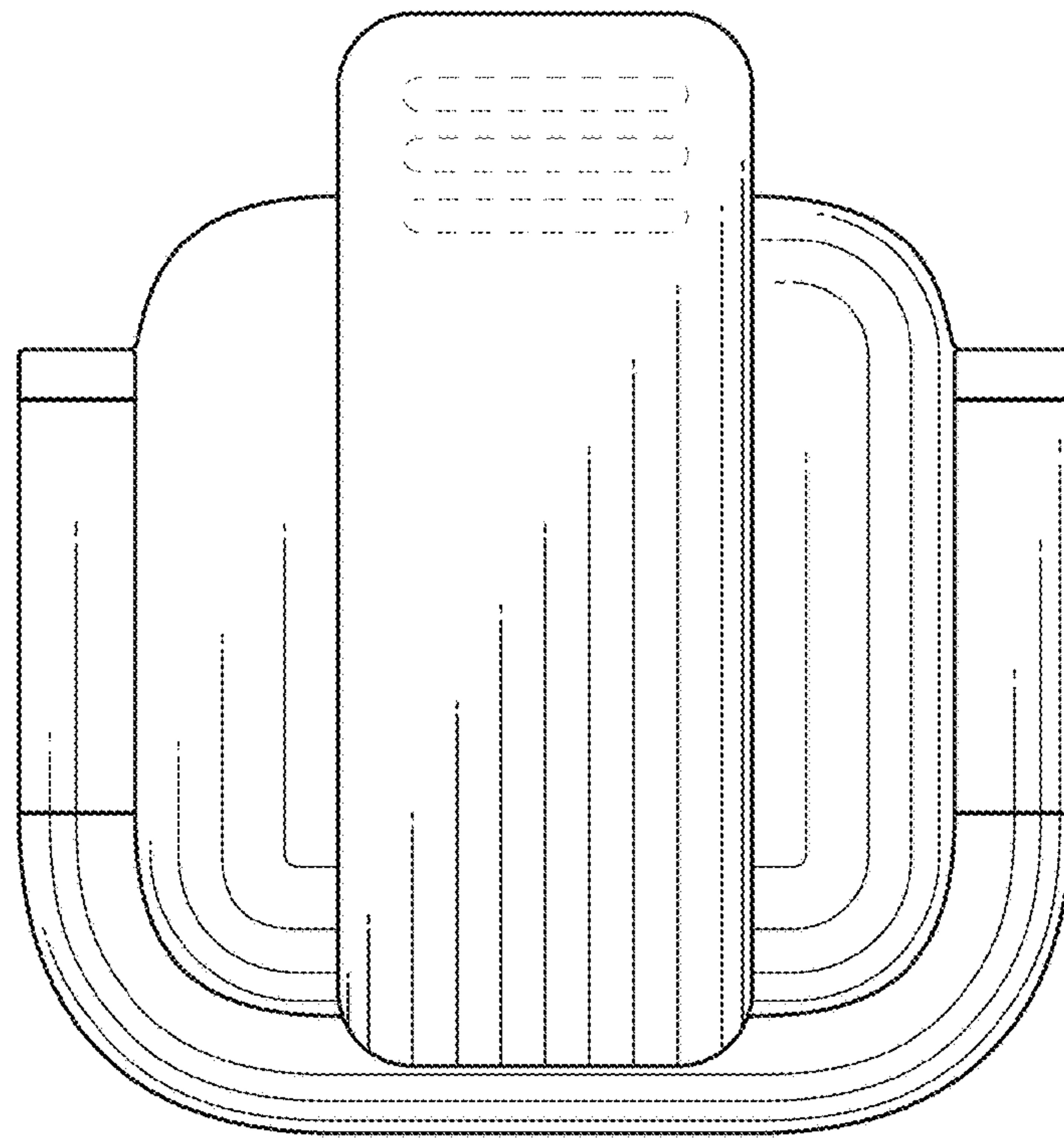


FIG. 3

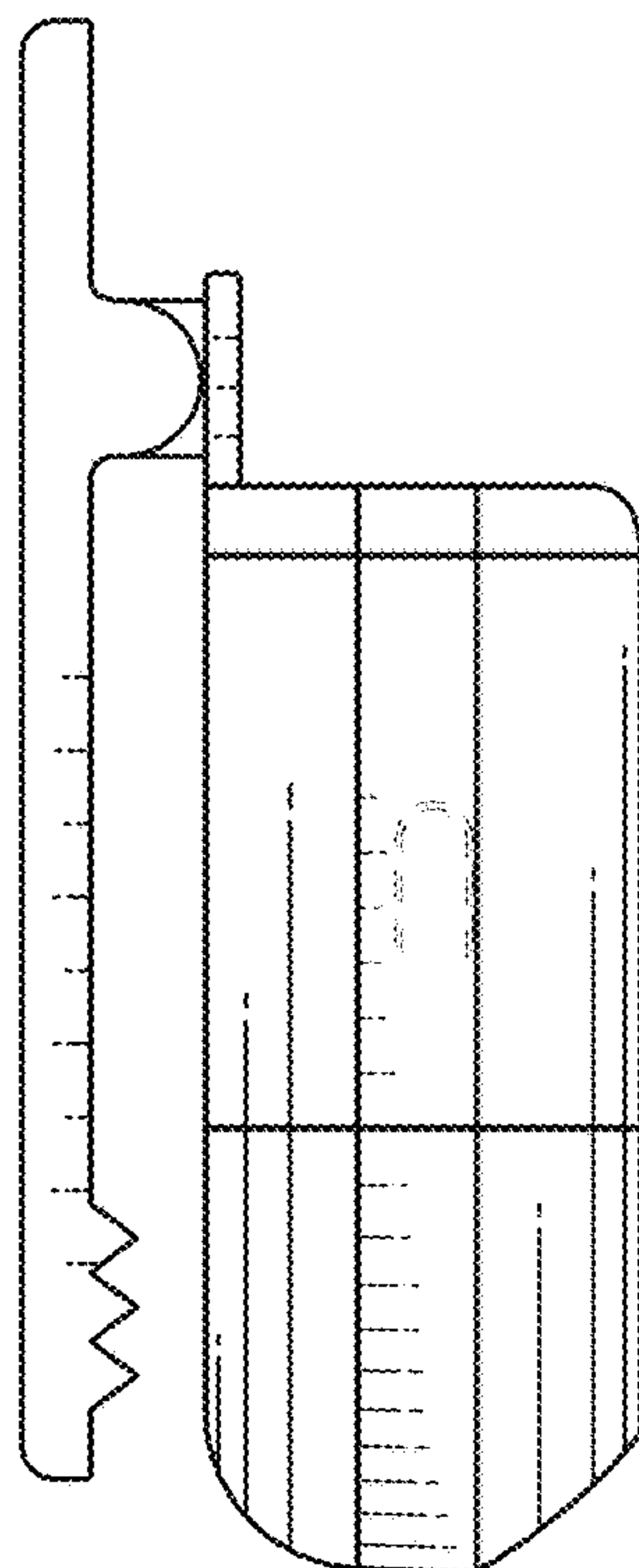


FIG. 4

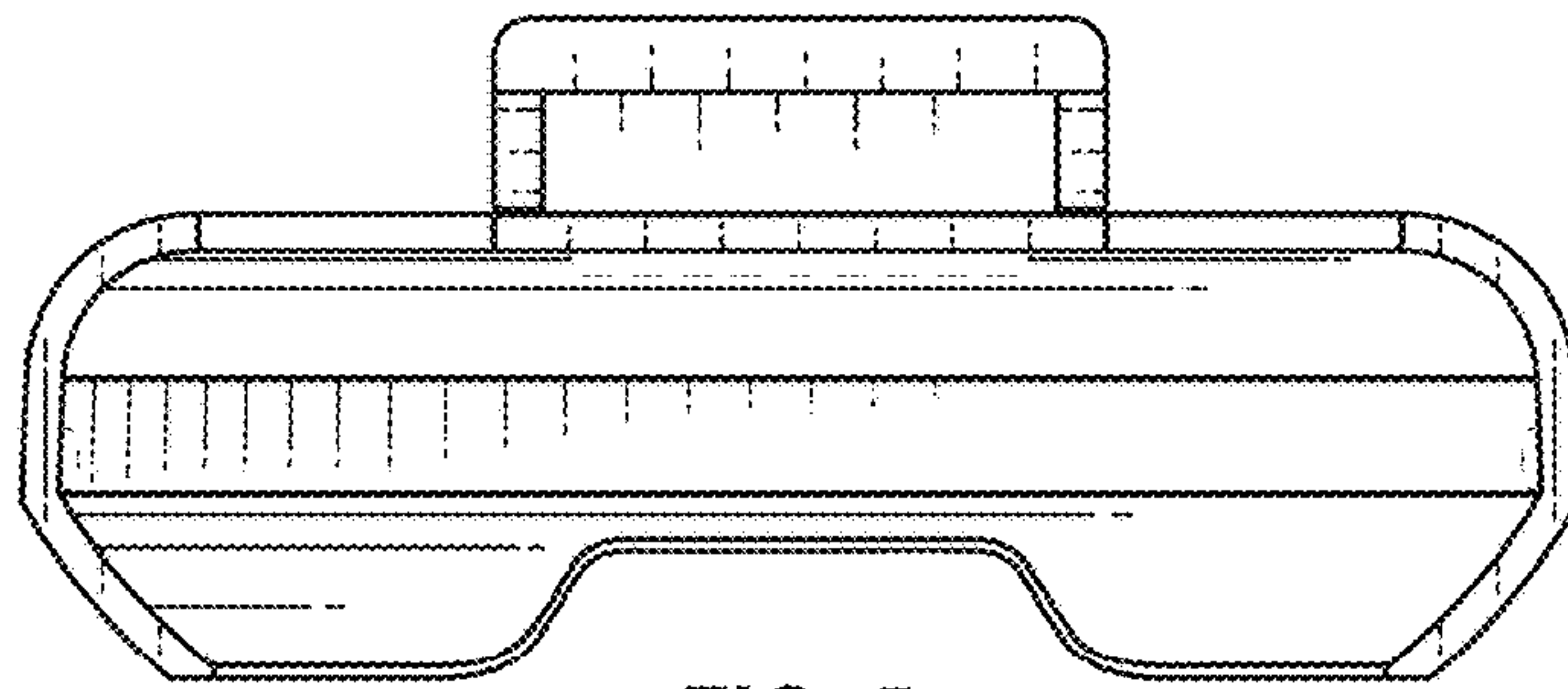


FIG. 5

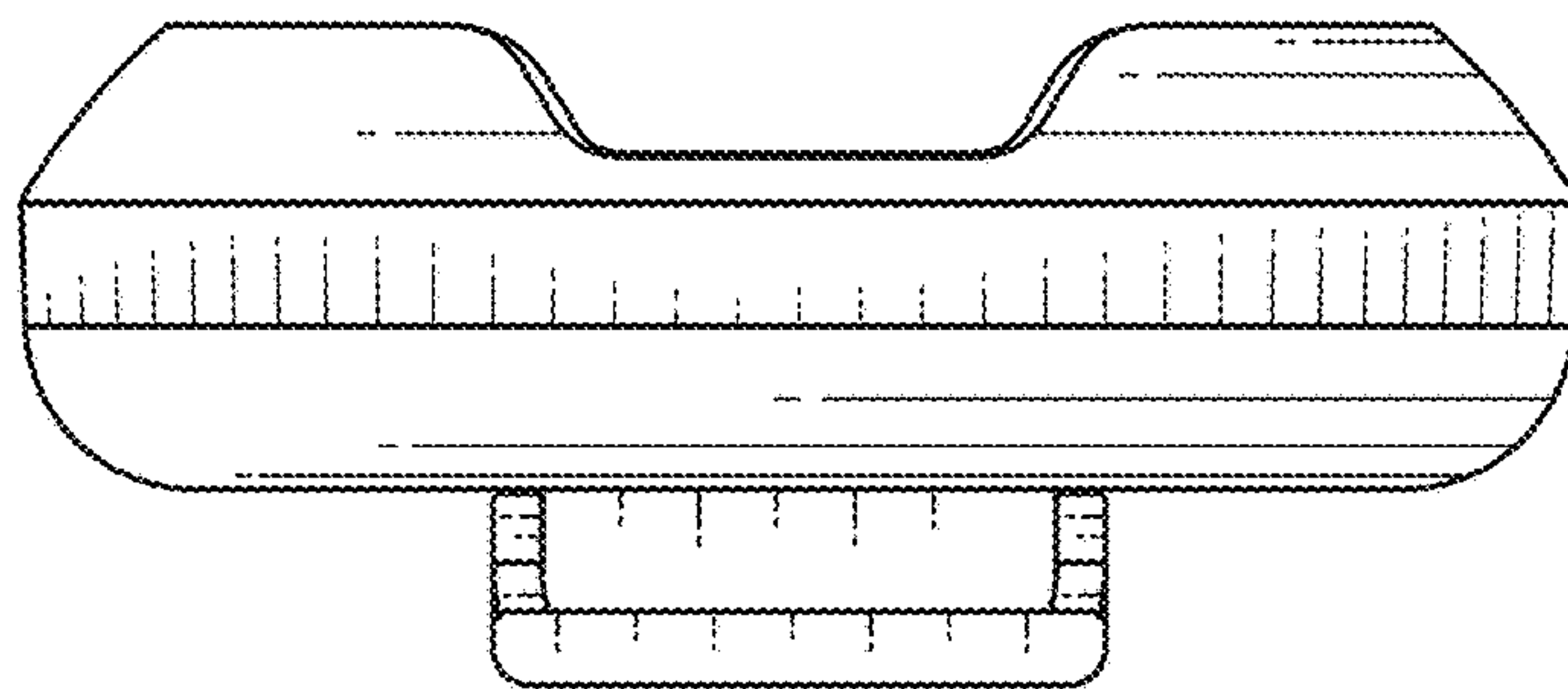


FIG. 6

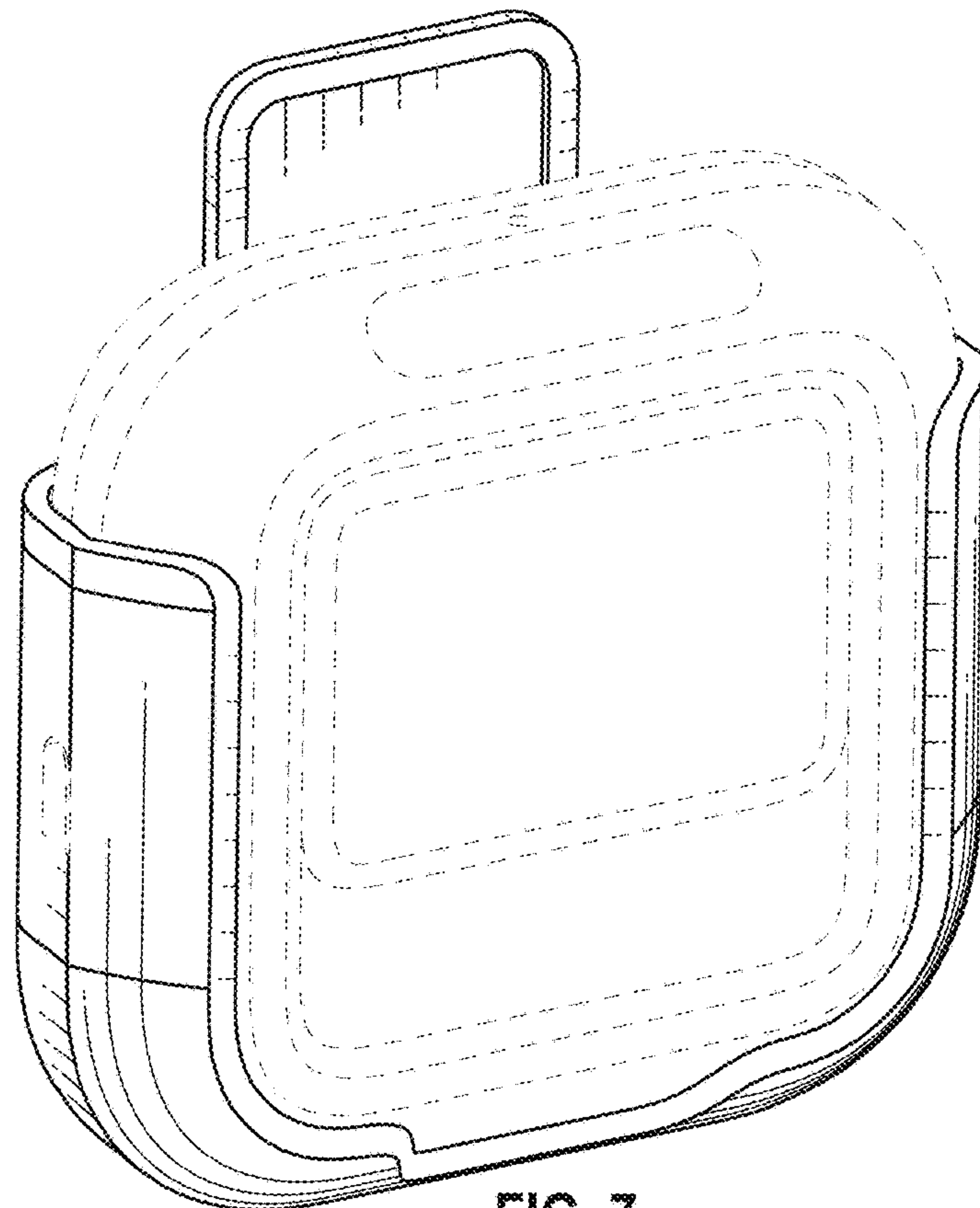


FIG. 7