



US00D808640S

(12) **United States Design Patent**  
**Hyppolite**

(10) **Patent No.:** **US D808,640 S**  
(45) **Date of Patent:** **\*\* Jan. 30, 2018**

- (54) **TRAVEL LAP SEAT FOR A CHILD**
- (71) Applicant: **Marcus A Hyppolite**, Corona, NY (US)
- (72) Inventor: **Marcus A Hyppolite**, Corona, NY (US)
- (\*\*) Term: **15 Years**
- (21) Appl. No.: **29/534,666**
- (22) Filed: **Jul. 30, 2015**

D689,690 S \* 9/2013 Hordos ..... D3/215  
 D695,513 S \* 12/2013 Jackson ..... D3/213  
 2015/0115002 A1\* 4/2015 Hyppolite ..... A47D 15/006  
 224/159  
 2015/0144667 A1\* 5/2015 Dunn ..... A47D 13/02  
 224/160

\* cited by examiner

*Primary Examiner* — John Windmuller  
*Assistant Examiner* — Steven Czyz  
 (74) *Attorney, Agent, or Firm* — Law Office of Ilya Libenzon

**Related U.S. Application Data**

- (63) Continuation of application No. 14/068,052, filed on Oct. 31, 2013, now Pat. No. 9,119,484.
- (51) **LOC (11) Cl.** ..... **03-01**
- (52) **U.S. Cl.**  
USPC ..... **D3/214**
- (58) **Field of Classification Search**  
USPC ..... D6/333, 367, 368; D3/213, 214, 215, D3/216  
CPC . A47D 1/00; A47D 1/002; A47D 1/02; A47D 1/10; A47D 13/02; A47D 13/025; A47D 13/08; A47D 15/006; A45C 2009/002  
See application file for complete search history.

(57) **CLAIM**

The ornamental design for a travel lap seat for a child, as shown and described.

**DESCRIPTION**

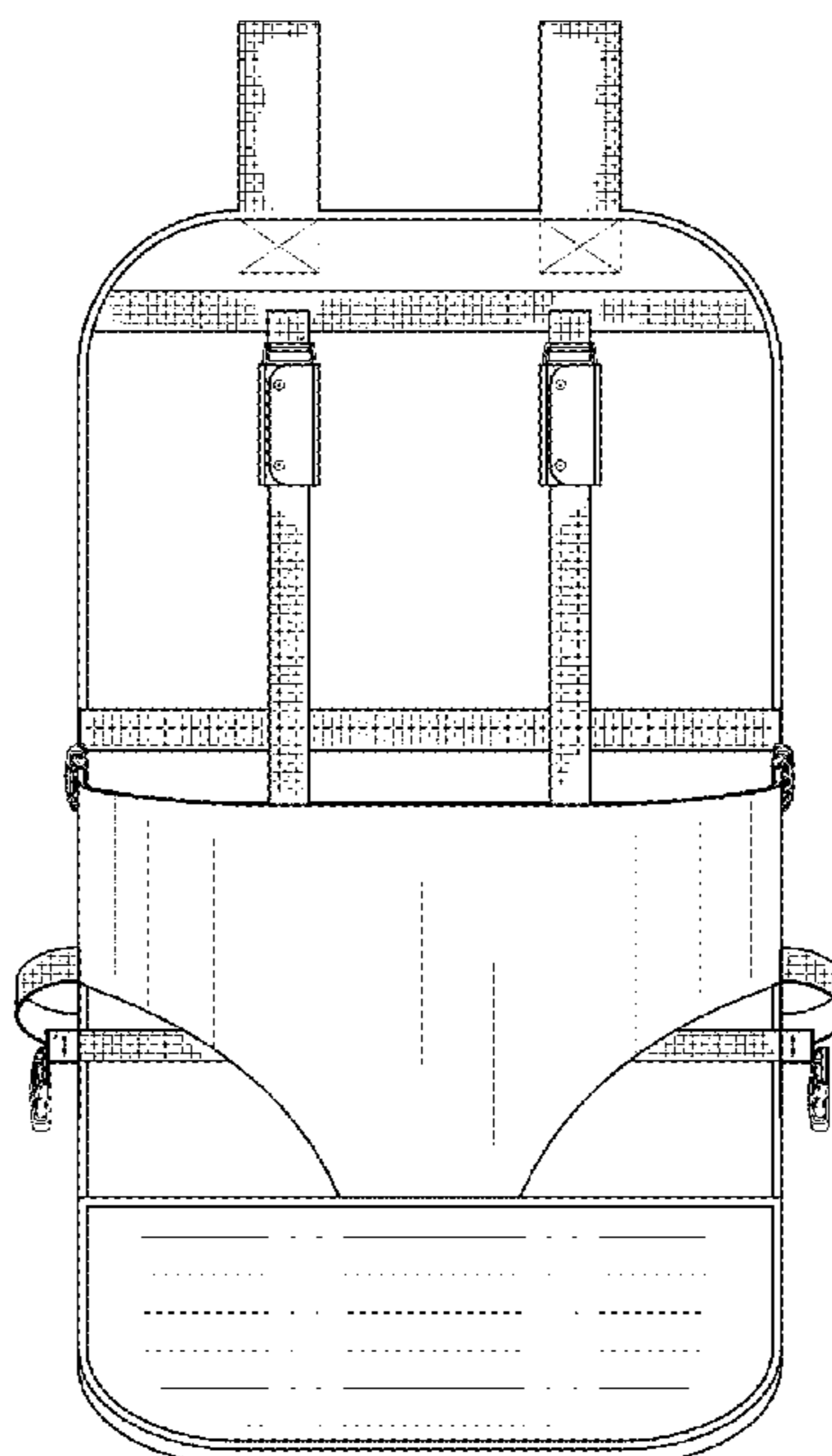
FIG. 1 is a front view of a travel lap seat for a child according to the present invention;  
 FIG. 2 is a front isometric view of the travel lap seat for a child according to the present invention;  
 FIG. 3 is a right side view of the travel lap seat for a child according to the present invention;  
 FIG. 4 is a left side view of the travel lap seat for a child according to the present invention;  
 FIG. 5 is a rear view of the travel lap seat for a child according to the present invention;  
 FIG. 6 is a rear isometric view of the travel lap seat for a child according to the present invention;  
 FIG. 7 is a top view of the travel lap seat for a child according to the present invention; and,  
 FIG. 8 is a bottom view of the travel lap seat for a child according to the present invention.

(56) **References Cited**

**U.S. PATENT DOCUMENTS**

- D323,426 S \* 1/1992 Mahvi ..... D3/214
- D363,598 S \* 10/1995 Walters ..... D3/213
- D371,676 S \* 7/1996 Geddes, Sr. .... D3/216
- D397,867 S \* 9/1998 Fair ..... D3/213
- D427,765 S \* 7/2000 Porter ..... D12/406
- 6,098,856 A \* 8/2000 Reilly ..... A47D 13/025  
224/159
- D468,901 S \* 1/2003 Thornber ..... D3/213
- D485,432 S \* 1/2004 Desrochers ..... D3/214
- D486,635 S \* 2/2004 Yagisawa ..... D3/213

**1 Claim, 8 Drawing Sheets**



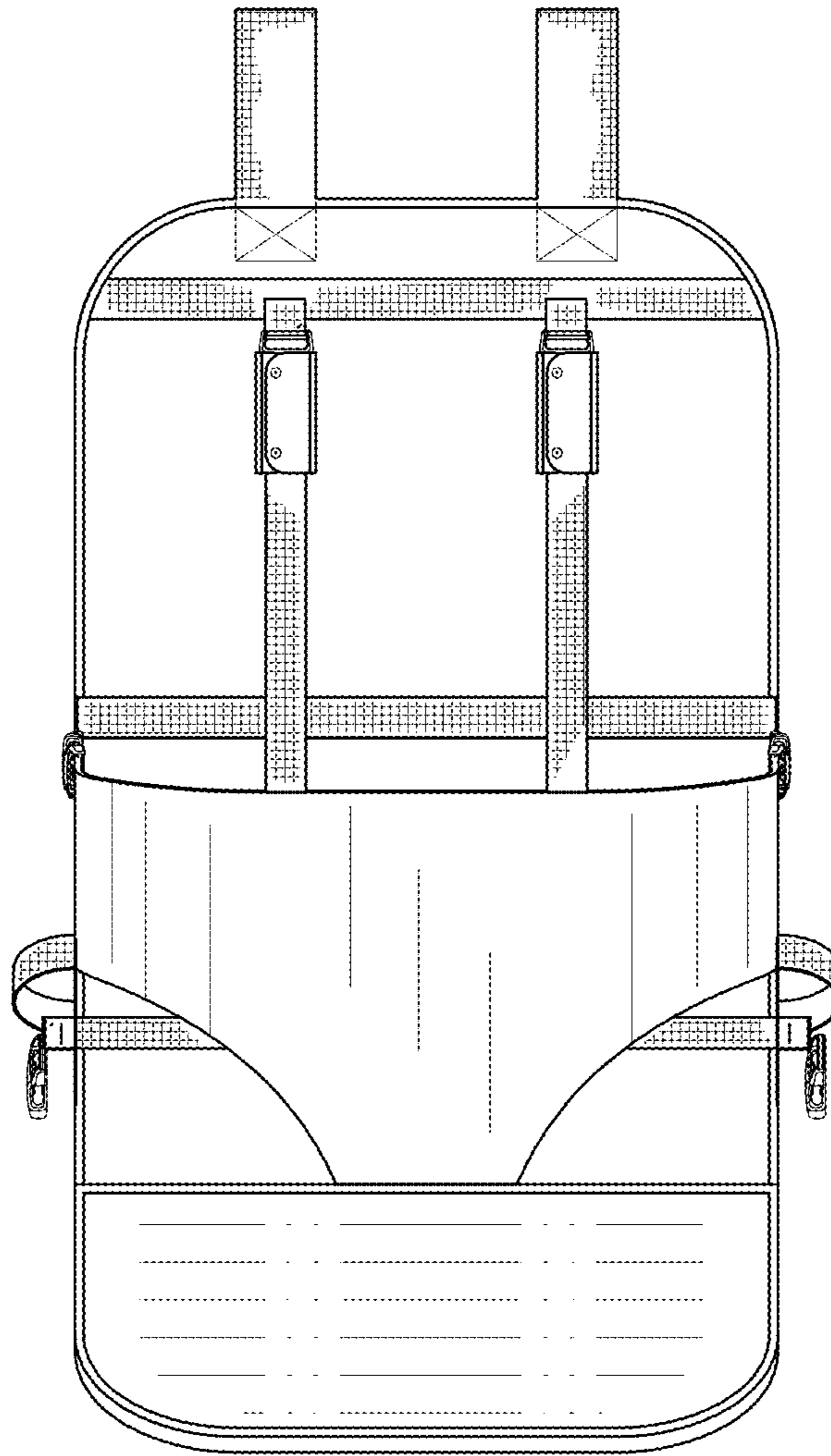


FIG. 1

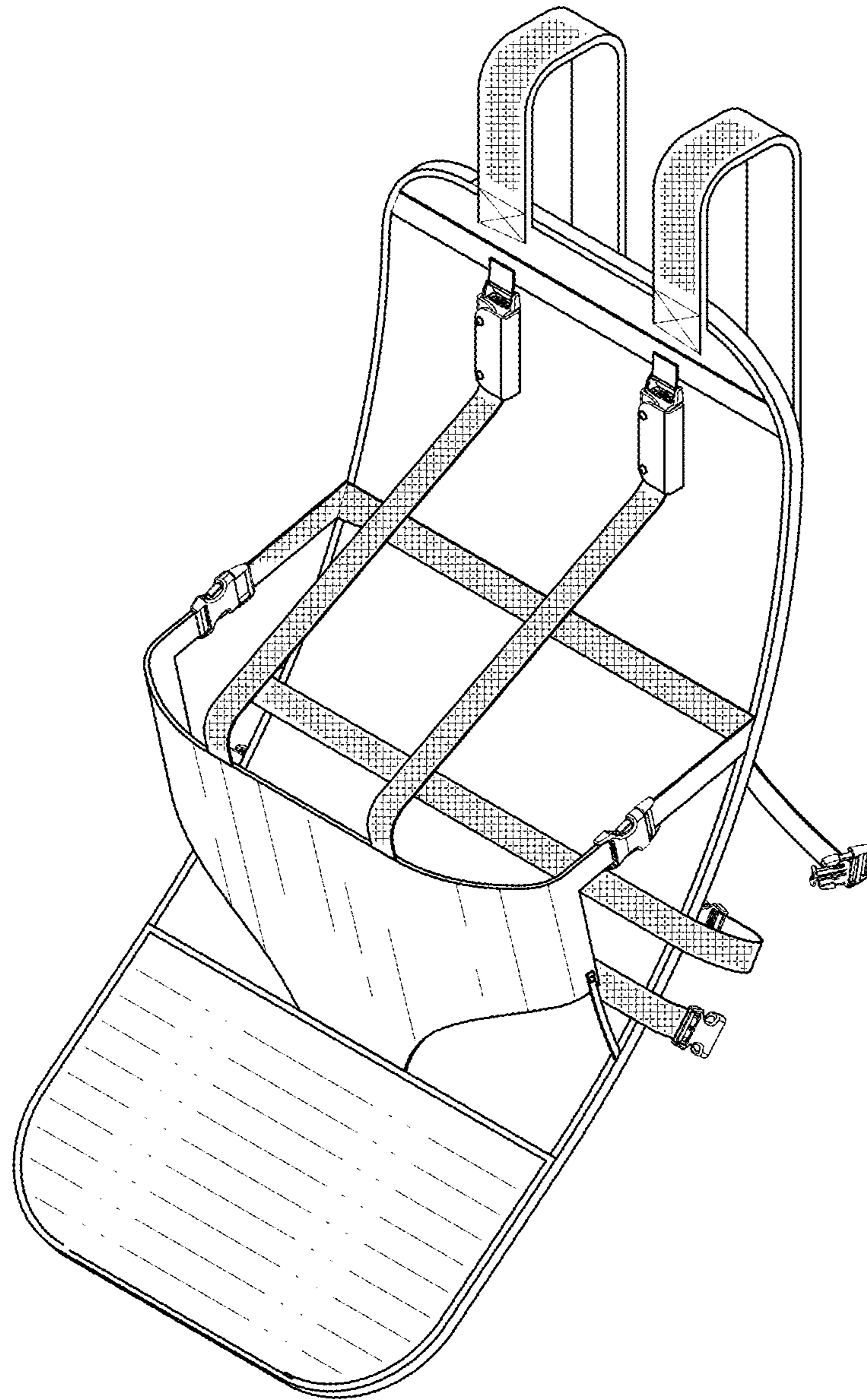


FIG. 2

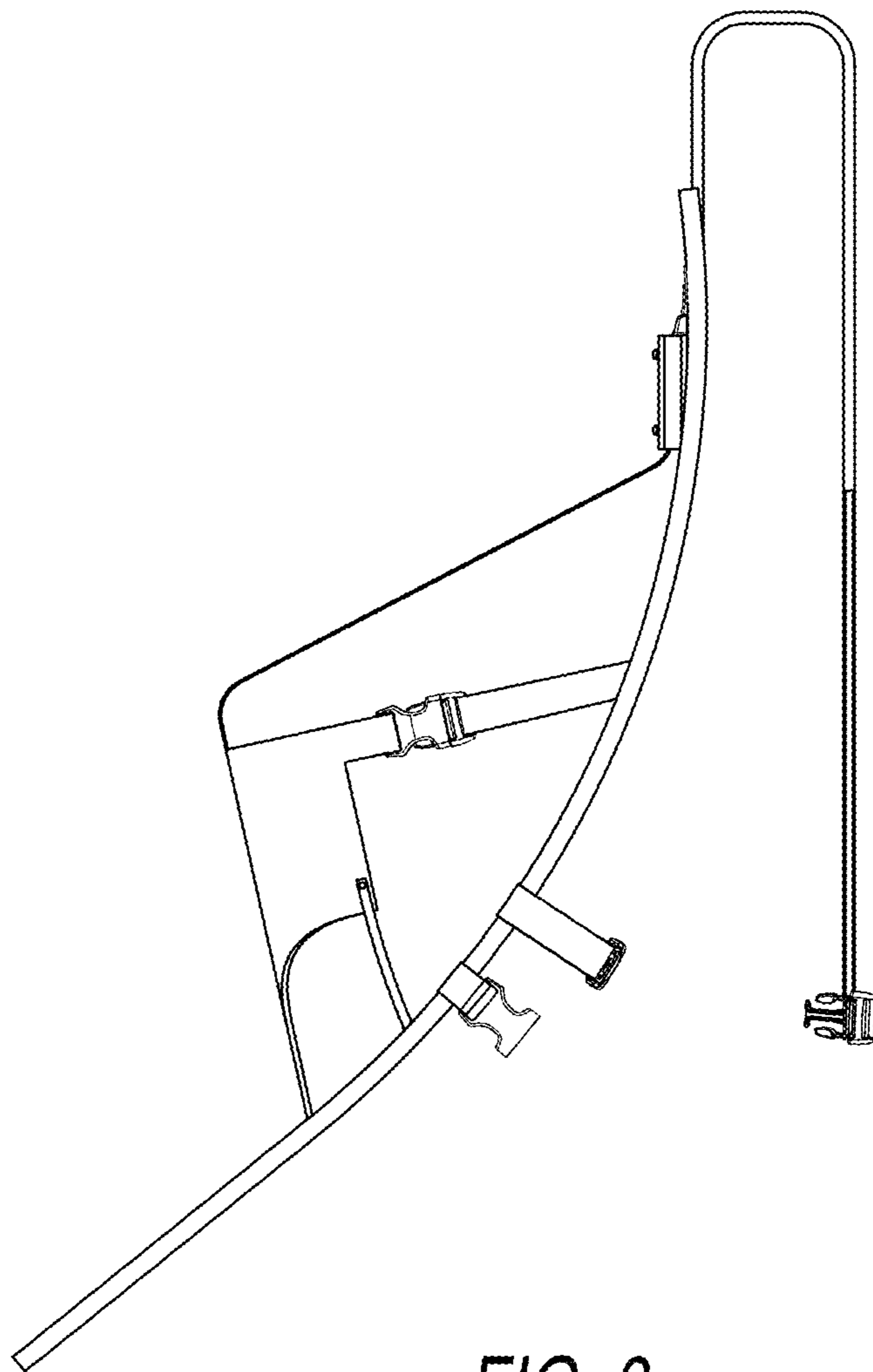


FIG. 3

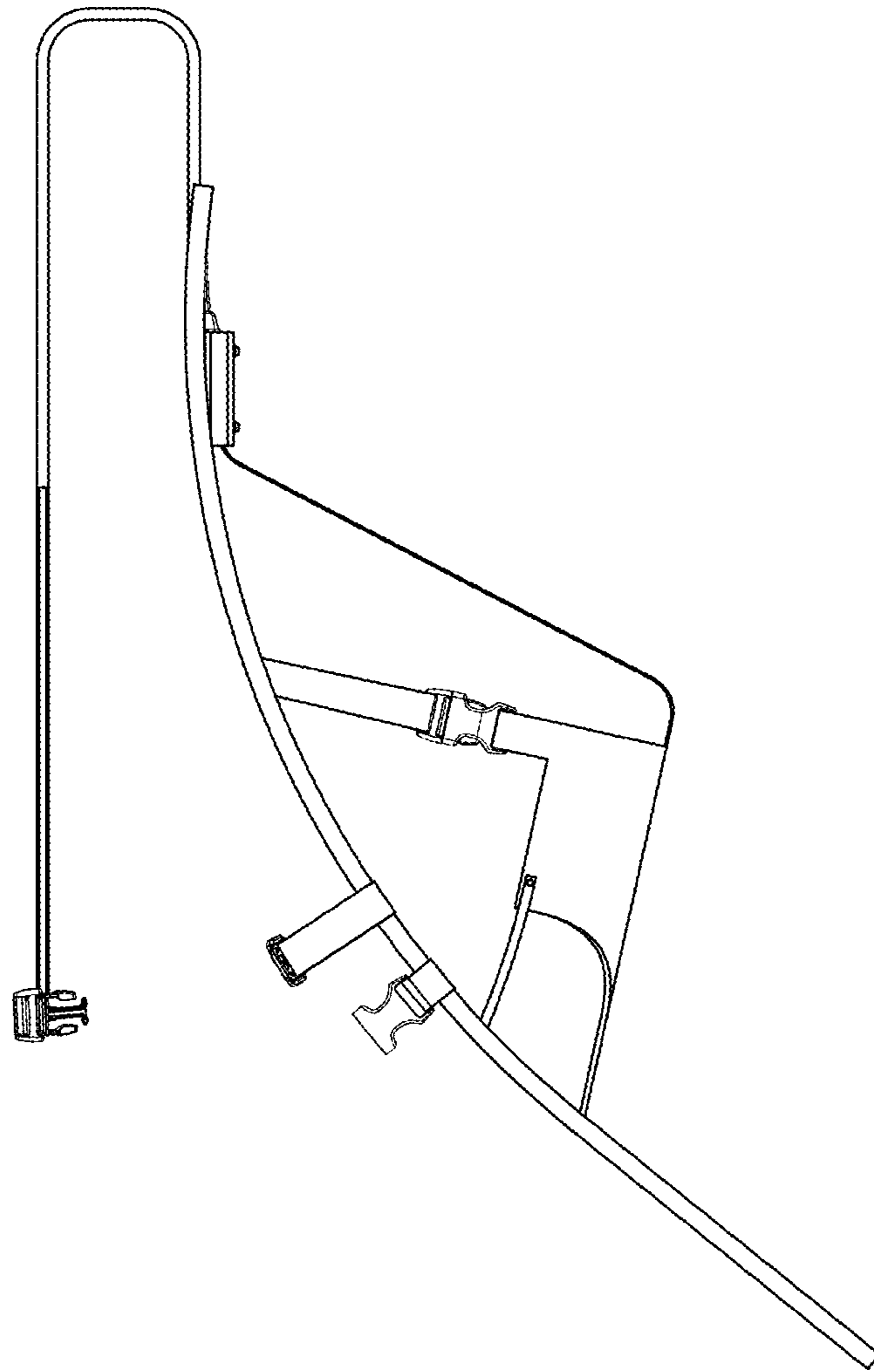


FIG. 4

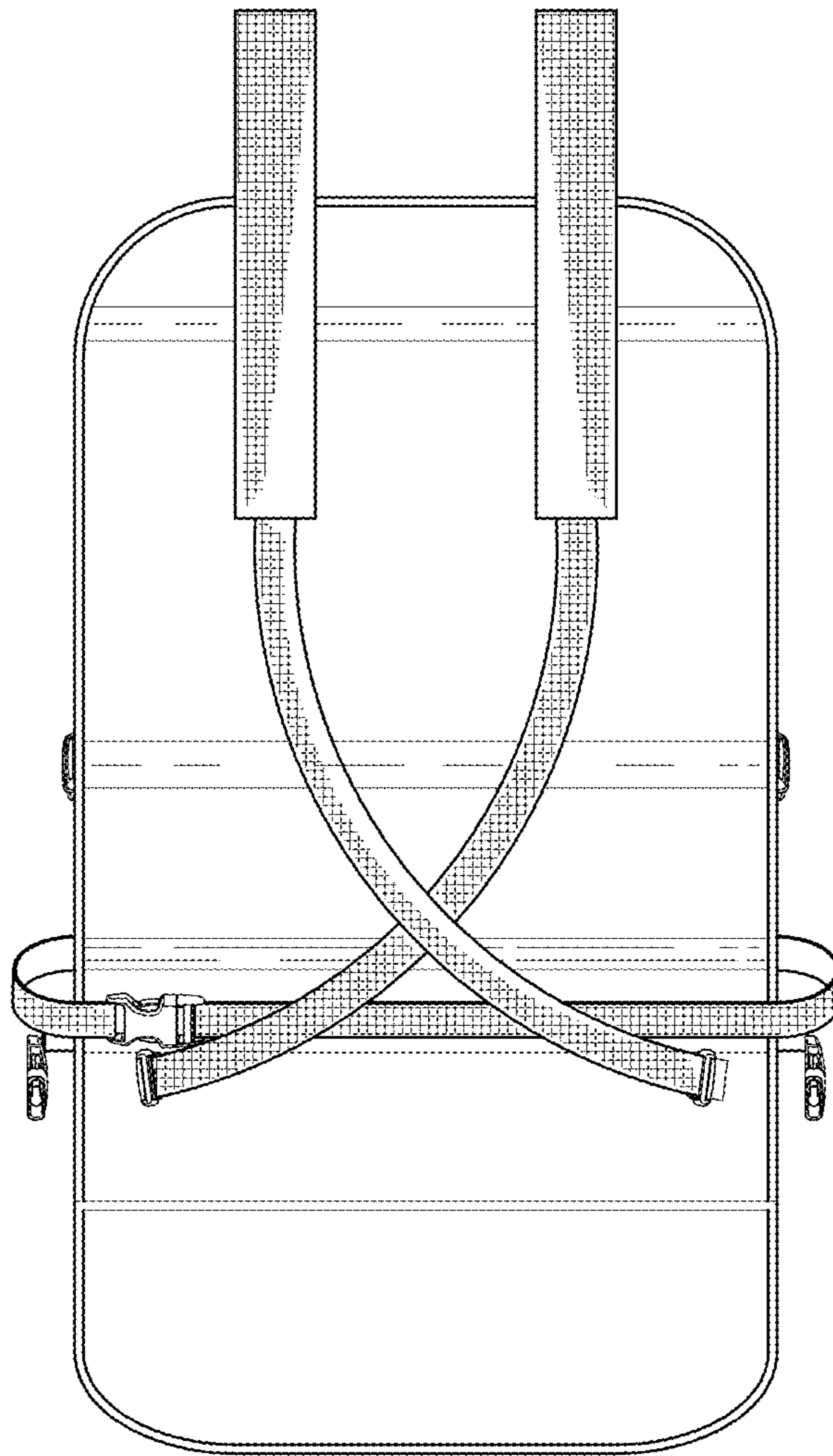


FIG. 5

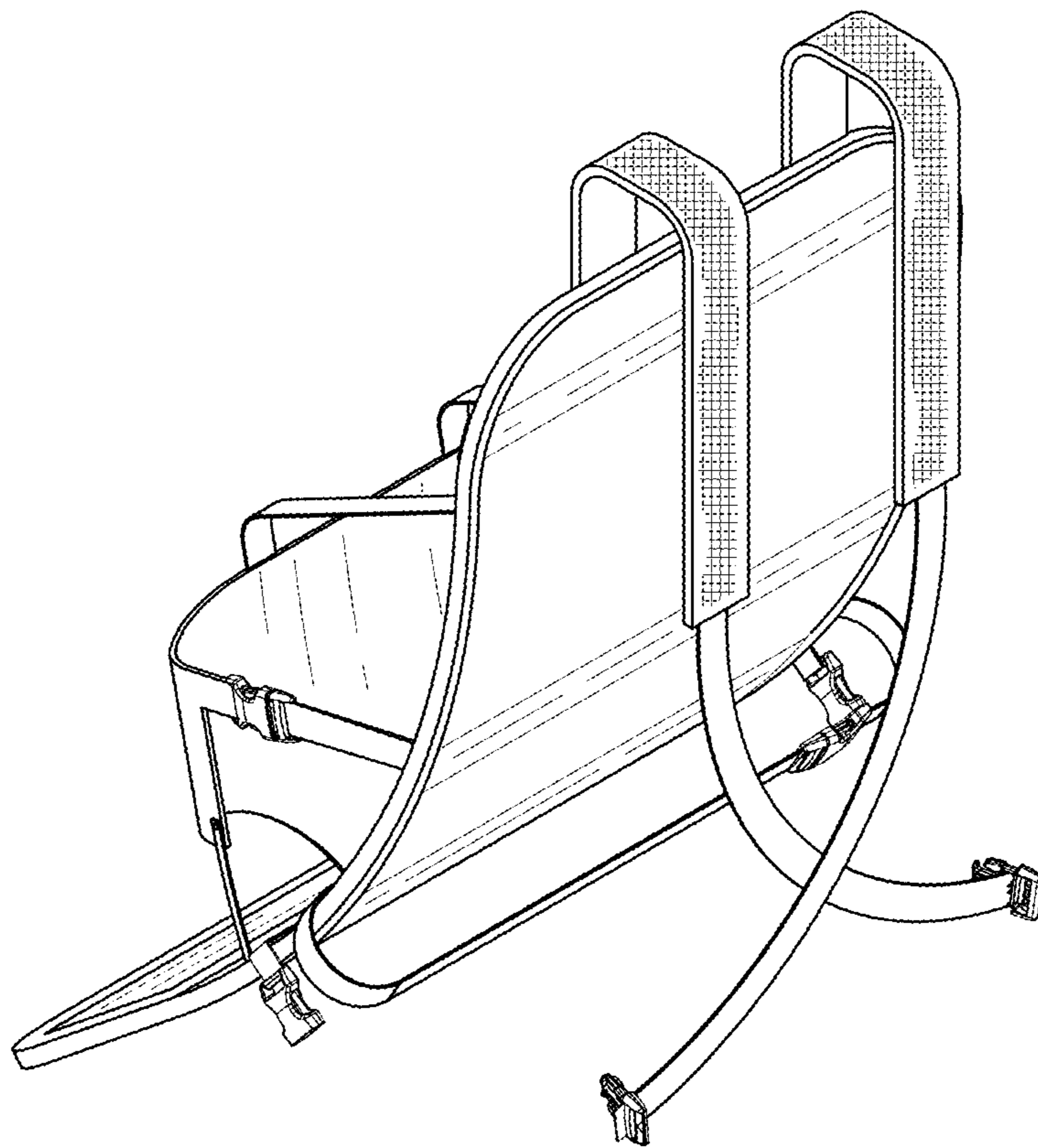


FIG. 6

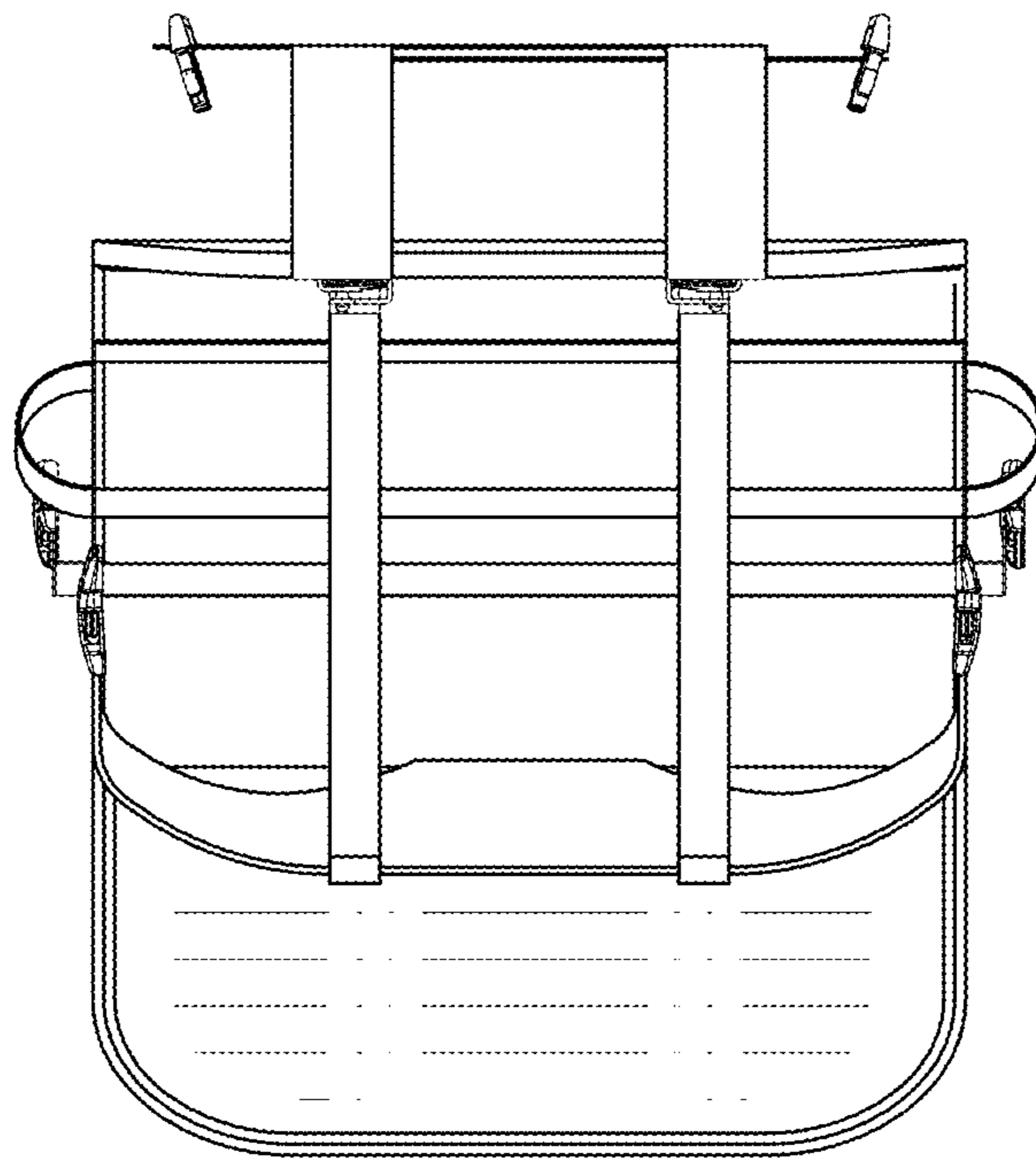
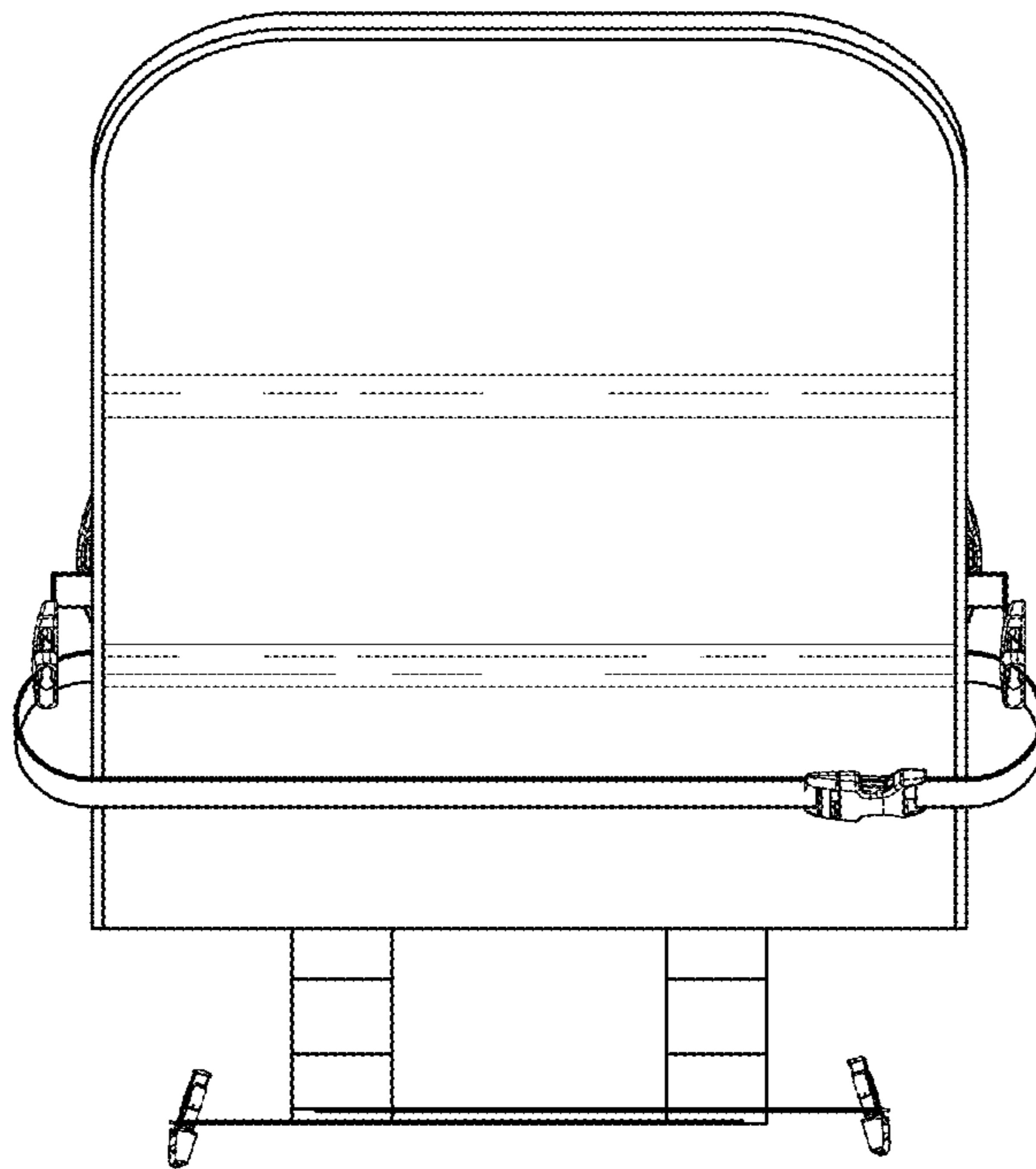


FIG. 7





*FIG. 8*