



US00D808636S

(12) **United States Design Patent** (10) **Patent No.:** **US D808,636 S**  
**Ma** (45) **Date of Patent:** **\*\* Jan. 30, 2018**

(54) **UMBRELLA RUNNER**  
(71) Applicant: **Zhun-An Ma**, Arcadia, CA (US)  
(72) Inventor: **Zhun-An Ma**, Arcadia, CA (US)

D90,772 S 9/1933 Kasch  
D127,735 S 6/1941 Dreyfuss  
2,447,972 A 8/1948 Weinert  
2,469,637 A 5/1949 Evans et al.  
(Continued)

(\*\*) Term: **15 Years**

FOREIGN PATENT DOCUMENTS

(21) Appl. No.: **29/581,451**

CN 202190859 4/2012  
DE 3820573 8/1989

(22) Filed: **Oct. 19, 2016**

(Continued)

(51) **LOC (11) Cl.** ..... **03-03**

OTHER PUBLICATIONS

(52) **U.S. Cl.**

USPC ..... **D3/10**

Operation Manual Easy Sun Parasol Sunshade (Issue: Jul. 2004) pp. 1-17.

(58) **Field of Classification Search**

USPC ..... D3/10; D8/356, 396, 72, 395, 10, 103,  
D8/105, 106, 119, 308, 309, 310;  
D9/424, 453; D13/149, 154; D24/143,  
D24/128

(Continued)

CPC ..... B65H 35/0026; F16L 23/06; F16L 23/04;  
F16L 3/23; F16L 23/10

*Primary Examiner* — John Windmuller  
*Assistant Examiner* — Benjamin Weeks  
(74) *Attorney, Agent, or Firm* — Knobbe Martens Olson & Bear, LLP

See application file for complete search history.

(57) **CLAIM**

(56) **References Cited**

The ornamental designs for an umbrella runner, as shown and described.

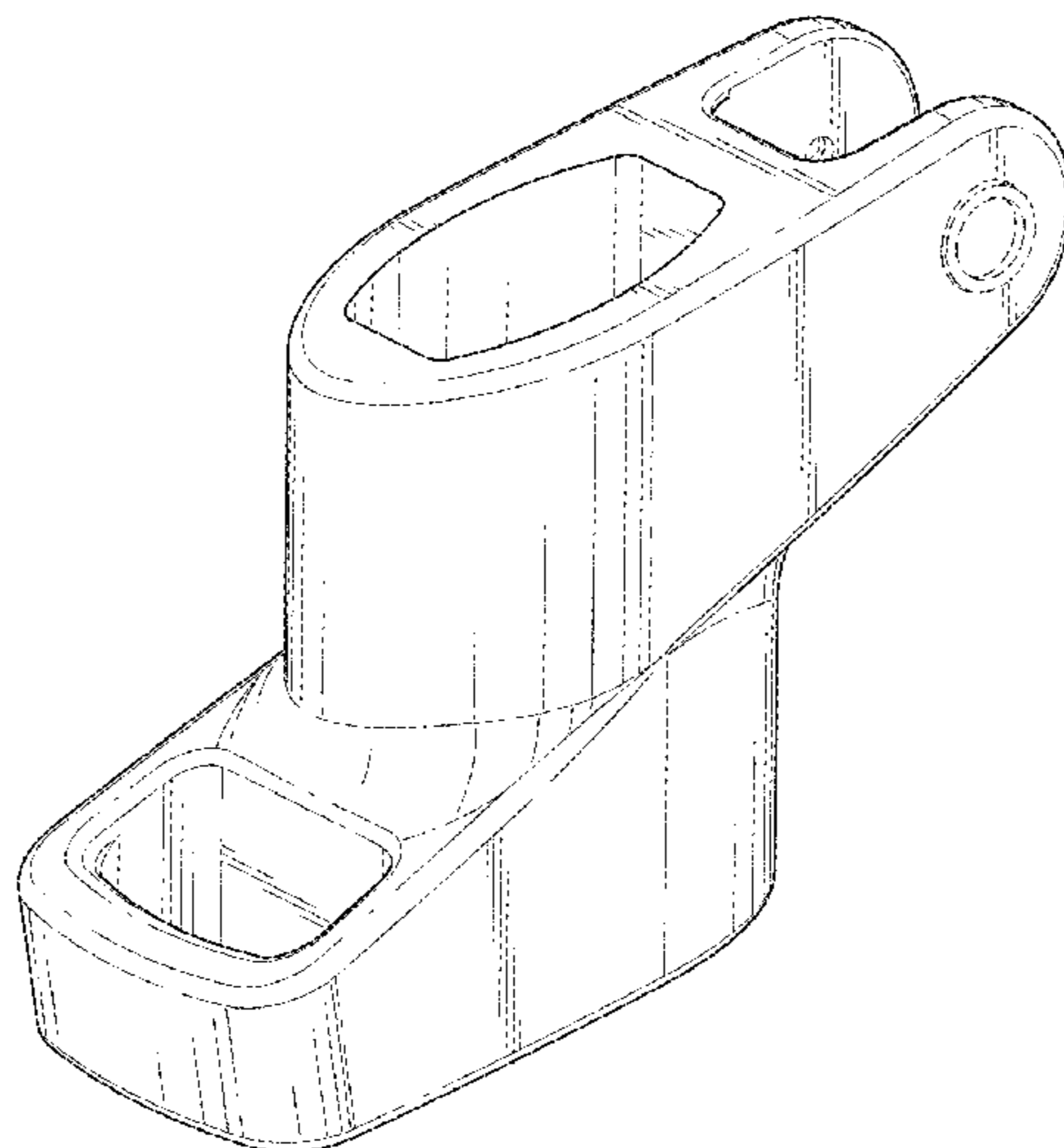
U.S. PATENT DOCUMENTS

**DESCRIPTION**

90,883 A 6/1869 Smith  
D33,847 S 1/1901 Gaskill  
878,270 A 2/1908 Blake et al.  
911,169 A 2/1909 Smith  
919,954 A 4/1909 Riehl  
941,952 A 11/1909 Riehl  
950,913 A 3/1910 Hartzell  
956,396 A 4/1910 Mills et al.  
956,657 A 5/1910 Wetteroth  
957,528 A 5/1910 Wetteroth  
D45,227 S 2/1914 Glauber  
1,136,887 A 4/1915 Penn  
1,264,799 A 8/1916 Howard  
1,235,296 A 7/1917 Dillingham  
1,243,594 A 10/1917 Dillingham  
1,255,627 A 2/1918 Morrow et al.  
1,268,354 A 6/1918 Howard

FIG. 1 is a top perspective view of one embodiment of an umbrella runner;  
FIG. 2 is a bottom perspective view of the embodiment of FIG. 1;  
FIG. 3 is a front view of the embodiment of FIG. 1;  
FIG. 4 is a rear view of the embodiment of FIG. 1;  
FIG. 5 is a right side view of the embodiment of FIG. 1;  
FIG. 6 is a left side view of the embodiment of FIG. 1;  
FIG. 7 is a top view of the embodiment of FIG. 1; and,  
FIG. 8 is a bottom view of the embodiment of FIG. 1.  
The broken lines represent portions of the umbrella runner that form no part of the claimed design.

**1 Claim, 7 Drawing Sheets**



(56)

References Cited

U.S. PATENT DOCUMENTS

2,475,406 A	7/1949	Russell		6,386,215 B1	5/2002	Chang	
D162,678 S	3/1951	Muller-Munk		6,412,506 B1	7/2002	Reese	
D167,619 S	9/1952	Coran		6,422,251 B1	7/2002	Tseng	
2,762,383 A	9/1956	Wittman		6,435,444 B1	8/2002	Lin	
2,937,653 A	5/1960	Danciart et al.		6,478,037 B2	11/2002	Tung	
D190,597 S	6/1961	Nelson		6,571,813 B2	6/2003	Lin et al.	
3,120,238 A	2/1964	Glatz		6,575,182 B2	6/2003	Tung	
3,145,720 A	8/1964	Torii		6,575,183 B2	6/2003	Tung	
3,424,180 A	1/1969	Giancarlo		D477,458 S	7/2003	Goldwitz	
3,856,032 A	12/1974	Schafer		6,588,438 B1	7/2003	Steiner	
D265,498 S	7/1982	Paul		D478,416 S	8/2003	Clarke	
4,368,749 A	1/1983	Lindler et al.		6,619,306 B2	9/2003	Ma	
D276,838 S	12/1984	Hill et al.		6,662,815 B2	12/2003	Tung	
D278,029 S	3/1985	Suponitsky		6,732,753 B2	5/2004	Chang	
4,576,191 A	3/1986	Schultes et al.		6,758,229 B2	7/2004	Wang	
4,586,525 A	5/1986	Glatz et al.		D497,478 S	10/2004	Clarke	
4,622,987 A	11/1986	Redl et al.		D497,479 S	10/2004	Yu	
4,674,523 A	6/1987	Glatz		6,837,255 B2	1/2005	Bunch et al.	
4,697,606 A	10/1987	Ma		6,851,823 B2	2/2005	Bilotti	
4,811,670 A	3/1989	Kolvites et al.		D503,035 S	3/2005	Ko	
4,878,509 A	11/1989	Tung		D503,272 S	3/2005	Machin et al.	
5,002,081 A	3/1991	Stromeyer		6,889,699 B2	5/2005	Clarke	
5,029,596 A	7/1991	Tung		6,923,193 B2	8/2005	Chen	
D320,111 S	9/1991	Ma		6,941,960 B2	9/2005	Huang	
5,050,627 A	9/1991	Hengtzu		D513,471 S	1/2006	Sato et al.	
D321,779 S	11/1991	Ma		D515,222 S	2/2006	Kieffer	
5,144,780 A	9/1992	Gieling et al.		7,000,624 B2	2/2006	Chang	
D344,786 S	3/1994	Short et al.		D518,629 S	4/2006	Ma	
5,349,975 A	9/1994	Valdner		D525,721 S	7/2006	Landes	
5,357,994 A	10/1994	Chung		7,082,953 B2	8/2006	Liu	
D360,522 S	7/1995	Ko		7,089,950 B2	8/2006	Lin	
5,499,644 A	3/1996	Geniele		7,134,442 B2	11/2006	Ma	
D372,854 S	8/1996	Jimenez		D539,632 S	4/2007	Ma	
D376,974 S *	12/1996	Chen .....	24/274 WB	D545,184 S	6/2007	Hanamura	
5,584,564 A	12/1996	Phyle		D549,285 S	8/2007	Chen	
5,588,455 A	12/1996	Kuo		7,293,573 B2	11/2007	Clarke	
5,611,364 A	3/1997	Woods et al.		D558,444 S	1/2008	Ma	
5,655,557 A	8/1997	Martin		7,318,444 B2	1/2008	Clakre	
5,740,823 A	4/1998	Lin et al.		7,328,715 B2	2/2008	Neubardt	
5,746,235 A	5/1998	Lin		7,341,068 B2	3/2008	Liu	
5,785,069 A	7/1998	Glatz		D577,423 S *	9/2008	Dole .....	D23/265
D397,054 S	8/1998	Brantley et al.		7,546,845 B2	6/2009	Prusmack	
5,794,637 A	8/1998	Figuroa		7,556,051 B2	7/2009	Lai	
D398,443 S	9/1998	Bolle		D597,822 S *	8/2009	Olsen .....	D8/356
5,809,734 A	9/1998	Turner		D600,326 S *	9/2009	Gibb .....	D23/265
D400,777 S	11/1998	Carsello		D602,686 S	10/2009	Patzak	
5,884,645 A	3/1999	Chen et al.		7,647,936 B1	1/2010	Chen	
D408,621 S	4/1999	Kuo		7,665,477 B1	2/2010	Hathaway	
5,899,210 A	5/1999	Letherby et al.		7,686,024 B1	3/2010	Lai	
D410,862 S	6/1999	Milhov		7,703,464 B2	4/2010	Ma	
5,937,882 A	8/1999	Harbaugh		7,708,022 B2	5/2010	Ma	
5,960,806 A	10/1999	Steiner		D623,396 S	9/2010	He	
6,014,980 A	1/2000	Glatz		D626,324 S	11/2010	Ma	
6,076,540 A	6/2000	You		D631,243 S	1/2011	Forthuber et al.	
D434,215 S	11/2000	Lin		7,861,734 B2	1/2011	Ma	
D434,476 S	11/2000	Meda		7,891,367 B2	2/2011	Ma	
6,145,523 A	11/2000	Lo		7,900,643 B2	3/2011	Ma	
6,152,156 A	11/2000	Tung		7,913,708 B2	3/2011	Yung	
D434,556 S	12/2000	Lin		D644,832 S	9/2011	Patzak	
6,192,907 B1	2/2001	Wu		D649,641 S *	11/2011	Guttulsrud .....	D24/143
D438,783 S *	3/2001	Elliott .....	F16L 23/10 D8/396	8,061,375 B2	11/2011	Ma	
6,220,261 B1	4/2001	Glatz		8,082,935 B2	12/2011	Ma	
6,230,728 B1	5/2001	Reese		8,096,310 B2	1/2012	Clarke	
6,247,483 B1	6/2001	Rung		D662,064 S *	6/2012	Natoli .....	D13/151
6,298,867 B1	10/2001	Chang		D668,446 S *	10/2012	Patzak .....	D3/10
6,305,394 B1	10/2001	Reese		D669,555 S	10/2012	Jaworski et al.	
6,311,705 B1	11/2001	Ma		8,443,819 B2	5/2013	Beaulieu	
6,311,706 B1	11/2001	Sato		D687,102 S *	7/2013	Chandaria .....	D19/69
6,311,707 B1	11/2001	Wu et al.		D698,320 S *	1/2014	Condo .....	D13/154
6,314,976 B1	11/2001	Clarke		D700,835 S *	3/2014	Langlois .....	D8/396
6,354,042 B1	3/2002	Kuo		D711,730 S *	8/2014	McKiernan .....	D8/396
6,371,141 B1	4/2002	Lin et al.		D719,343 S	12/2014	Ma	
6,371,686 B1	4/2002	Wu		8,961,340 B2 *	2/2015	Boatwright .....	A63B 59/0044 248/316.5
6,386,214 B1	5/2002	Clarke		D738,609 S	9/2015	Ma	
				D738,610 S	9/2015	Ma	
				D741,701 S *	10/2015	McNeil .....	D8/356
				D748,464 S	2/2016	Kury	
				D749,835 S *	2/2016	Whitaker .....	D3/10

(56)

References Cited

U.S. PATENT DOCUMENTS

D758,177 S \* 6/2016 Riccione ..... D8/396  
 D760,486 S 7/2016 Patzak  
 D766,711 S \* 9/2016 Babbage ..... D8/394  
 D770,886 S \* 11/2016 Whitaker ..... D8/394  
 D781,787 S \* 3/2017 Spiel ..... D13/149  
 D782,179 S 3/2017 Ma  
 2002/0083969 A1 7/2002 Tung  
 2002/0129843 A1 9/2002 Wang  
 2002/0139405 A1 10/2002 Lee  
 2003/0015230 A1 1/2003 Glatz  
 2004/0031513 A1 2/2004 Bunch et al.  
 2004/0055627 A1 3/2004 Moga  
 2004/0055628 A1 3/2004 Yu  
 2004/0069333 A1 4/2004 Ma  
 2004/0154525 A1 8/2004 Wirth et al.  
 2004/0182429 A1 9/2004 Chen  
 2004/0206382 A1 10/2004 Clarke  
 2004/0206383 A1 10/2004 Clarke  
 2005/0098200 A1 5/2005 Su  
 2005/0115599 A1 6/2005 You  
 2005/0194027 A1 9/2005 Ko  
 2005/0241687 A1 11/2005 Ko  
 2006/0005867 A1 1/2006 Chang  
 2006/0151019 A1 7/2006 Lo  
 2007/0113878 A1 5/2007 Ko  
 2008/0066793 A1 3/2008 Ma  
 2008/0202570 A1 8/2008 Clarke  
 2009/0007945 A1 1/2009 Ma  
 2009/0014041 A1 1/2009 Li  
 2009/0260664 A1 10/2009 Ma

2010/0132165 A1\* 6/2010 Shor ..... F16L 23/04  
 24/19  
 2010/0139724 A1 6/2010 Lai  
 2010/0139725 A1 6/2010 Lai  
 2011/0017249 A1 1/2011 Ma  
 2011/0061694 A1 3/2011 Vanderminden, Sr.  
 2011/0132418 A1 6/2011 Ma  
 2011/0209732 A1 9/2011 Ma  
 2011/0214705 A1 9/2011 Ma  
 2011/0277800 A1 11/2011 Tung  
 2012/0227221 A1\* 9/2012 Whitaker ..... A61M 39/1011  
 24/459  
 2013/0152984 A1 6/2013 Chou  
 2013/0276843 A1 10/2013 Ma  
 2014/0020725 A1 1/2014 Ma  
 2014/0096803 A1 4/2014 Siegenthaler  
 2014/0251394 A1 9/2014 Ma

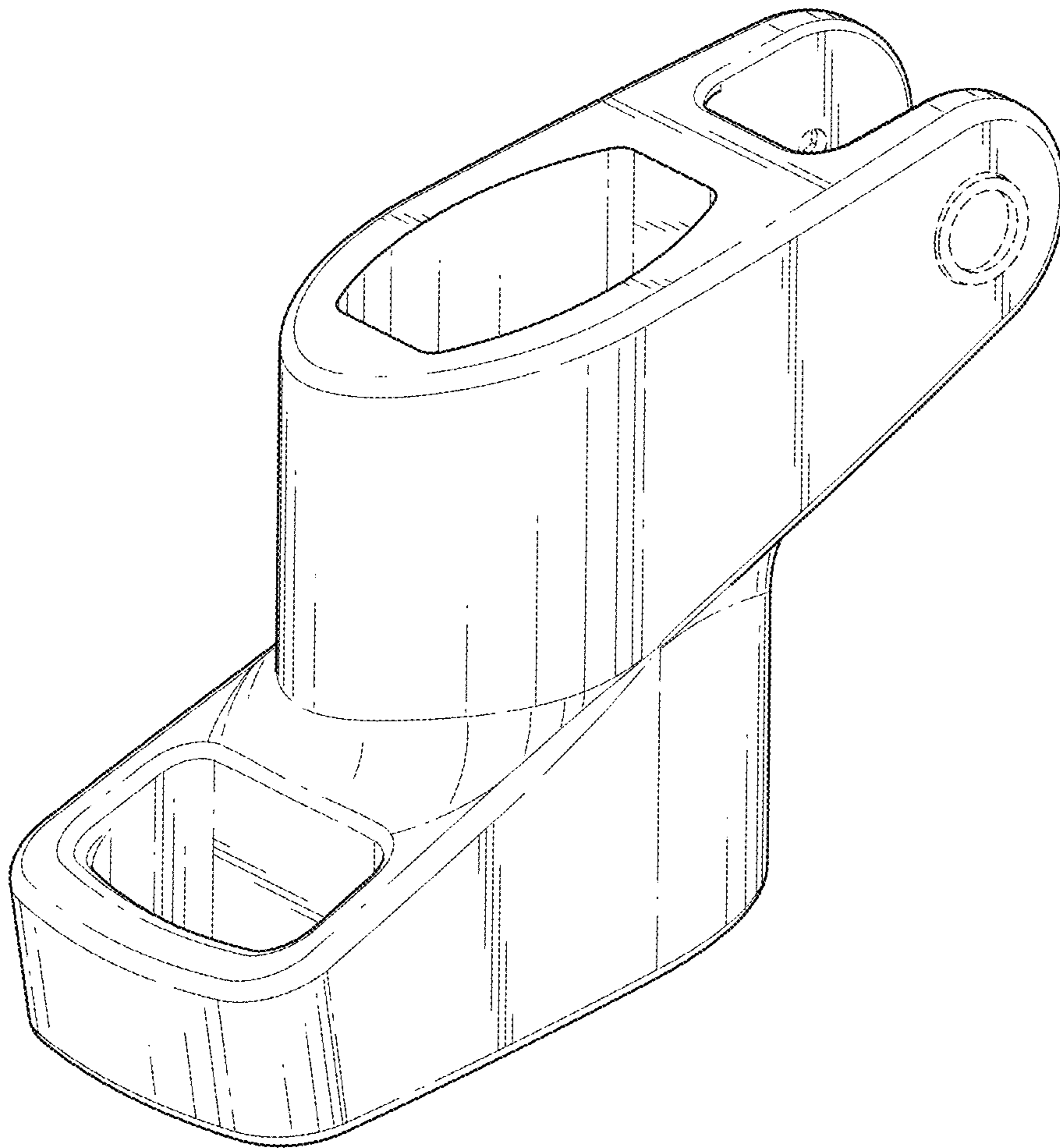
FOREIGN PATENT DOCUMENTS

FR 2672781 A3 8/1992  
 JP 2006-110317 A 4/2006  
 JP 2007-222591 9/2007  
 JP 2008-142310 6/2008  
 WO WO 2005/058089 6/2005

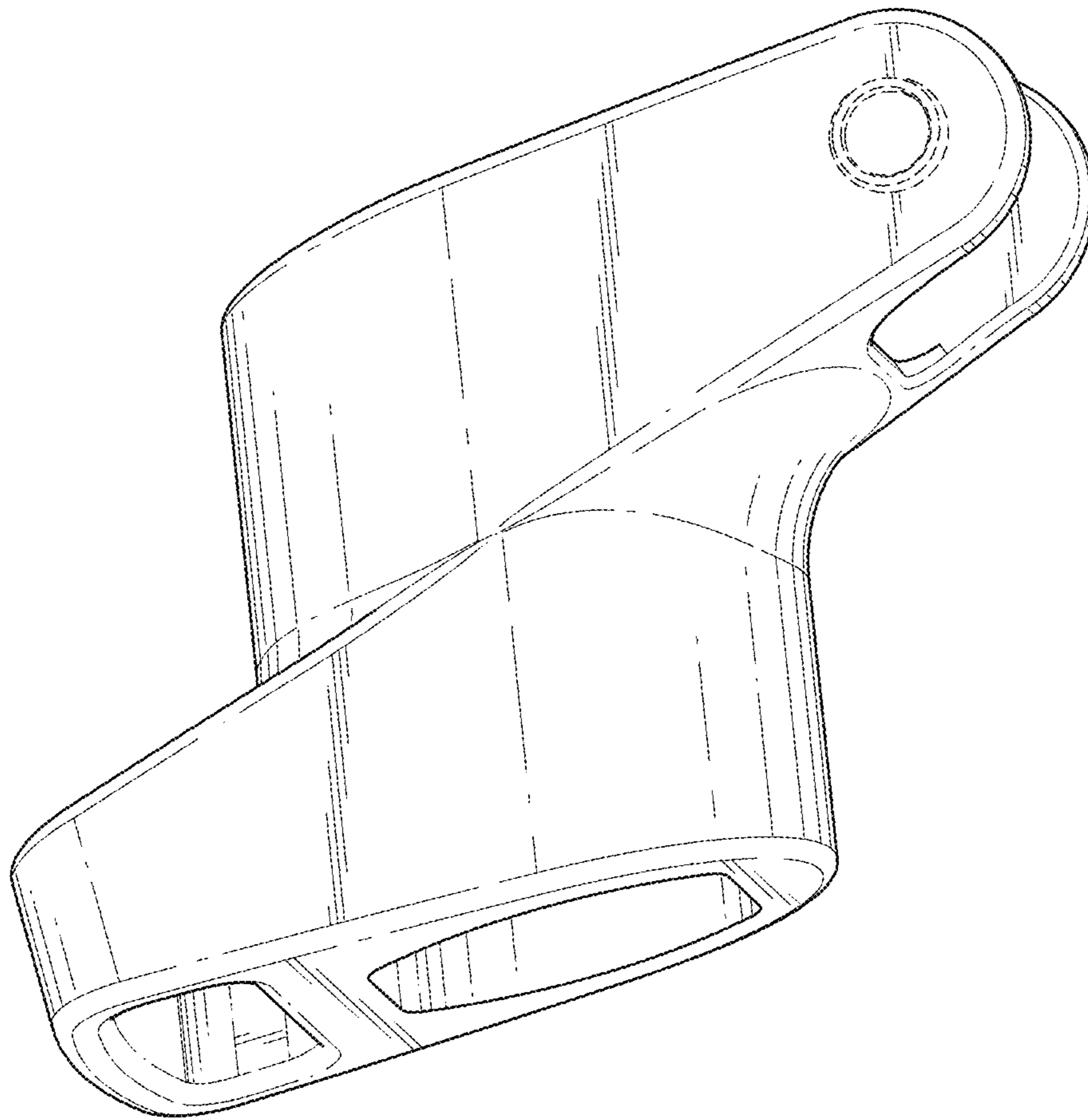
OTHER PUBLICATIONS

Activa Leisure, 2010 Product Catalog.  
 Treasure Garden, Inc., Collections 2015, Product Catalog, including  
 front and rear covers.

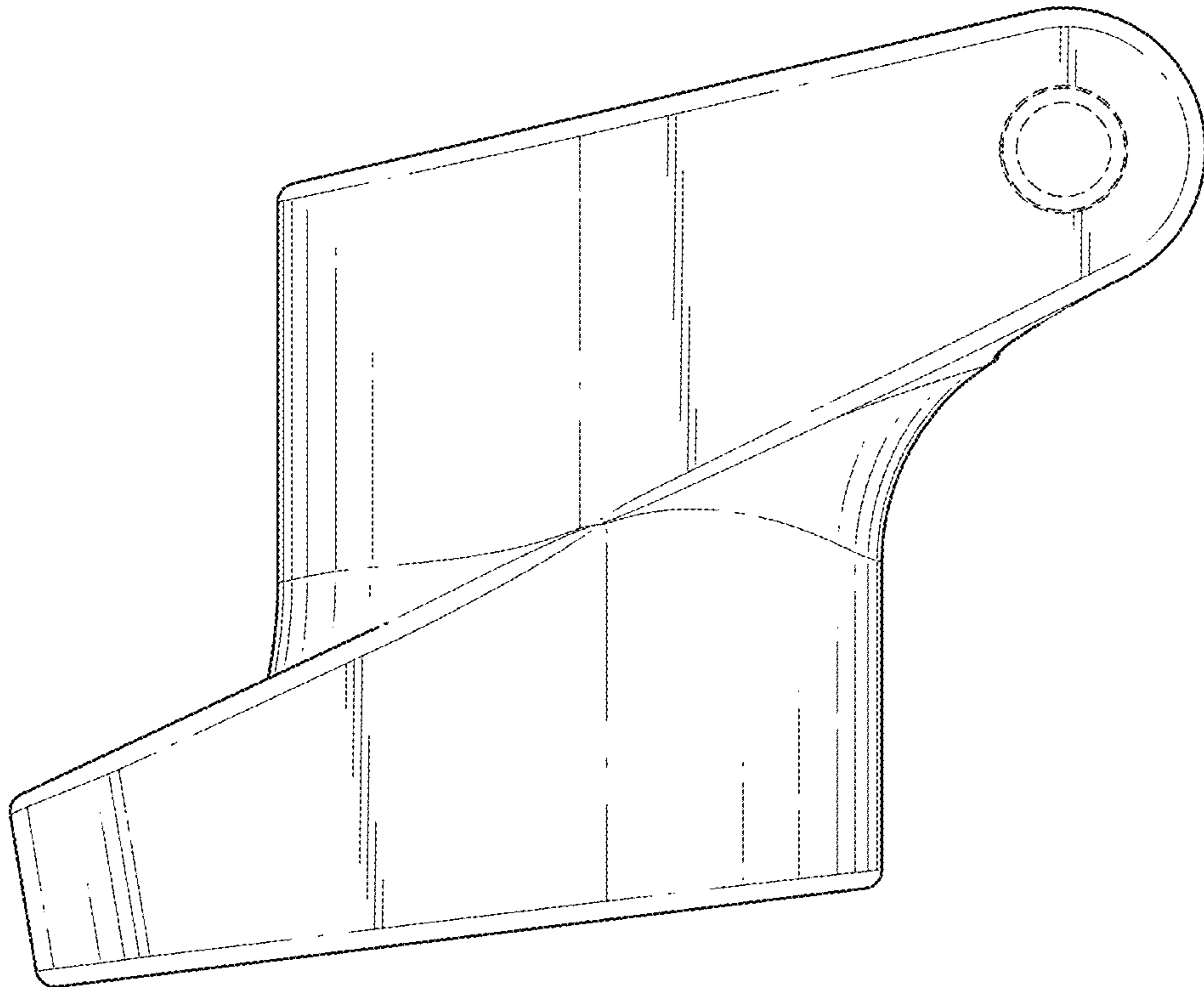
\* cited by examiner



*FIG. 1*



*FIG. 2*



*FIG. 3*

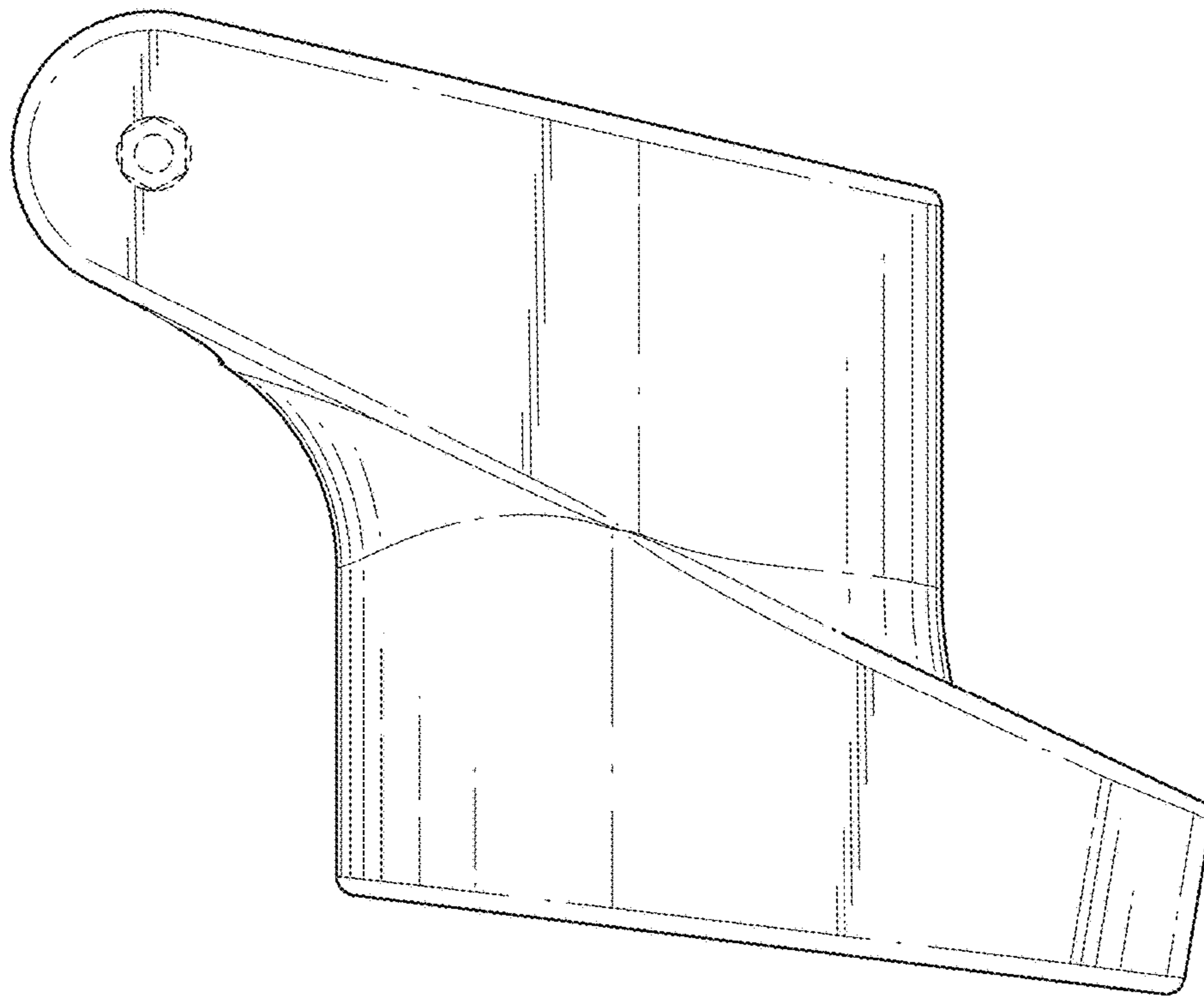
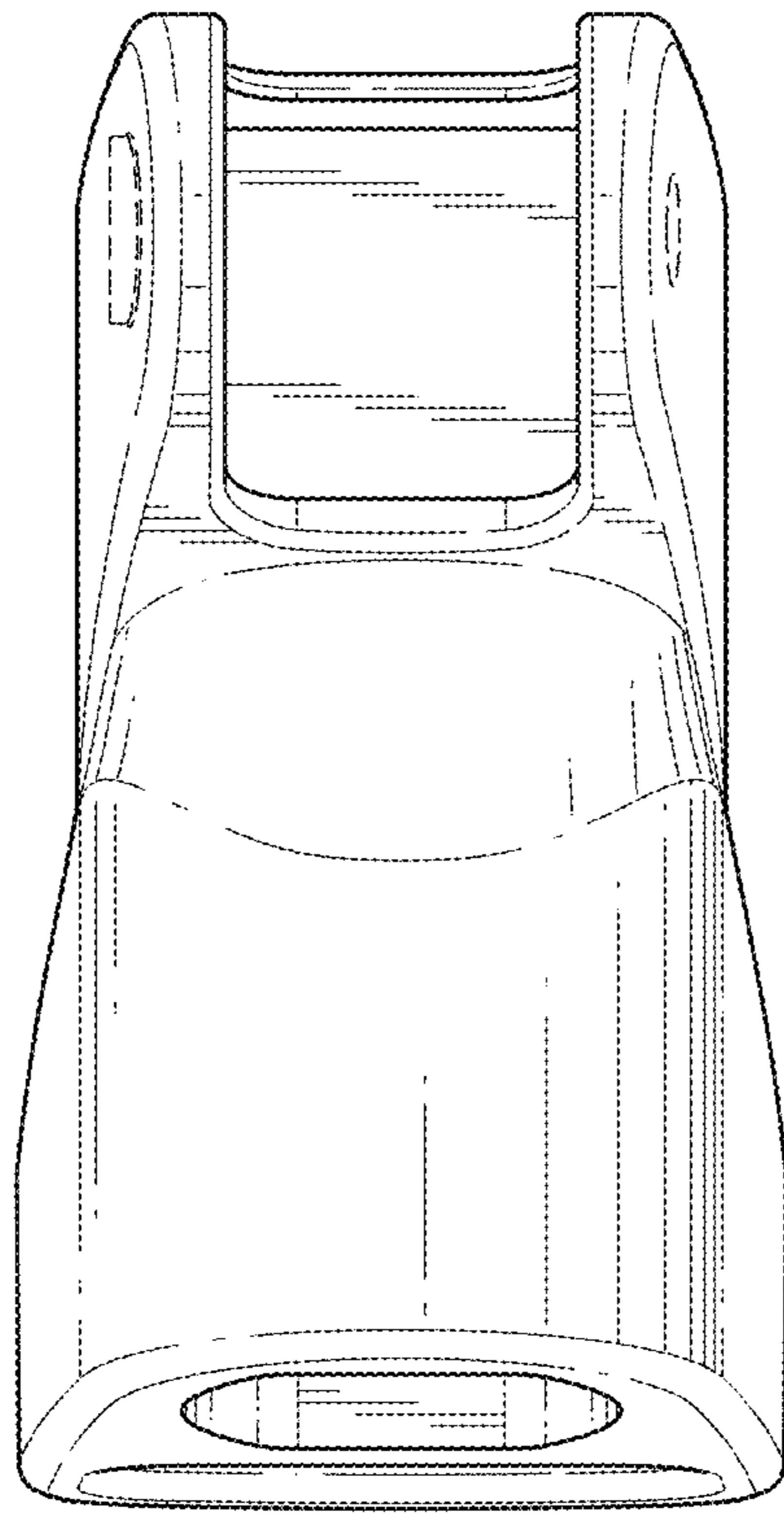
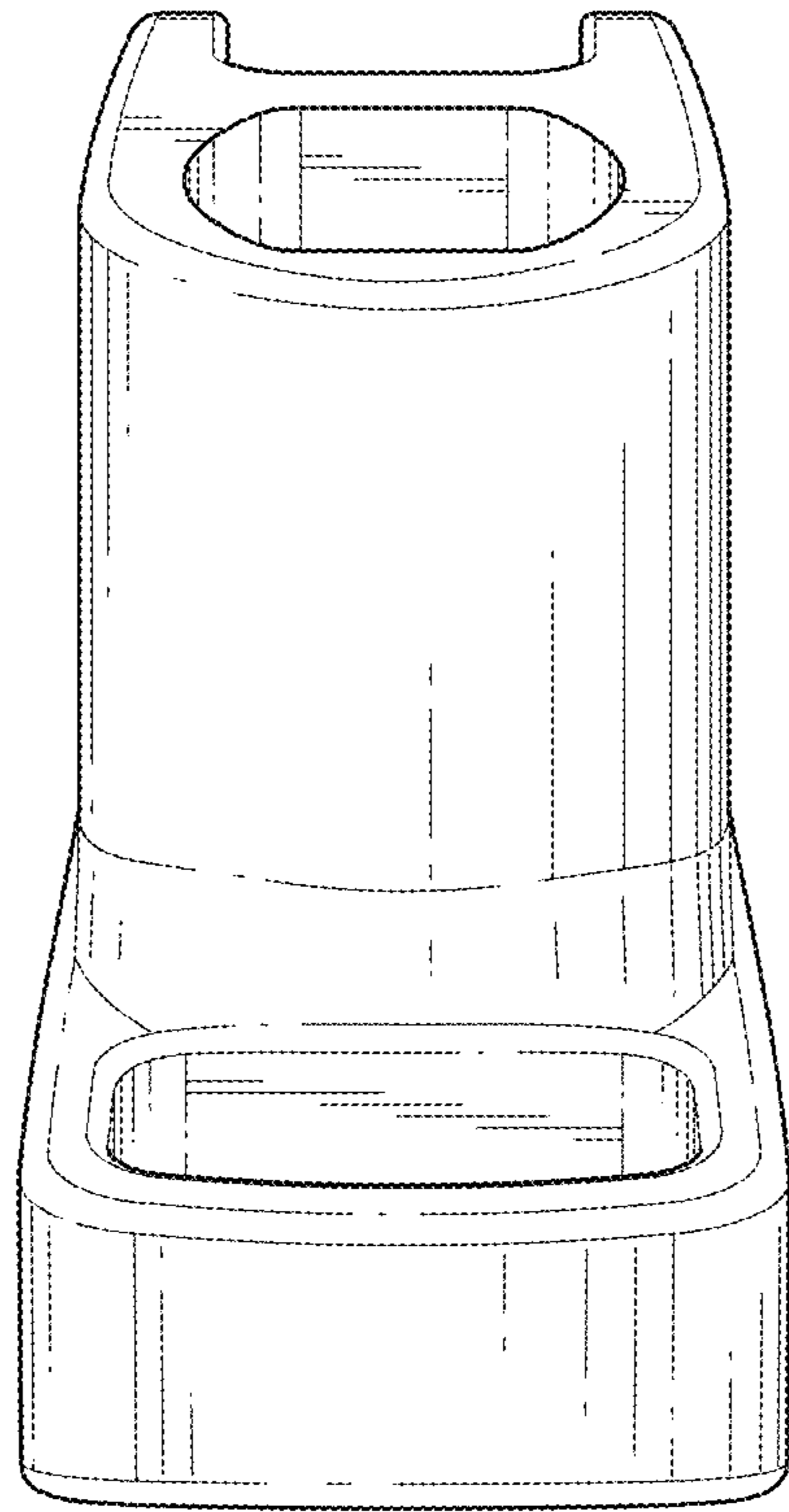


FIG. 4



*FIG. 5*





*FIG. 6*

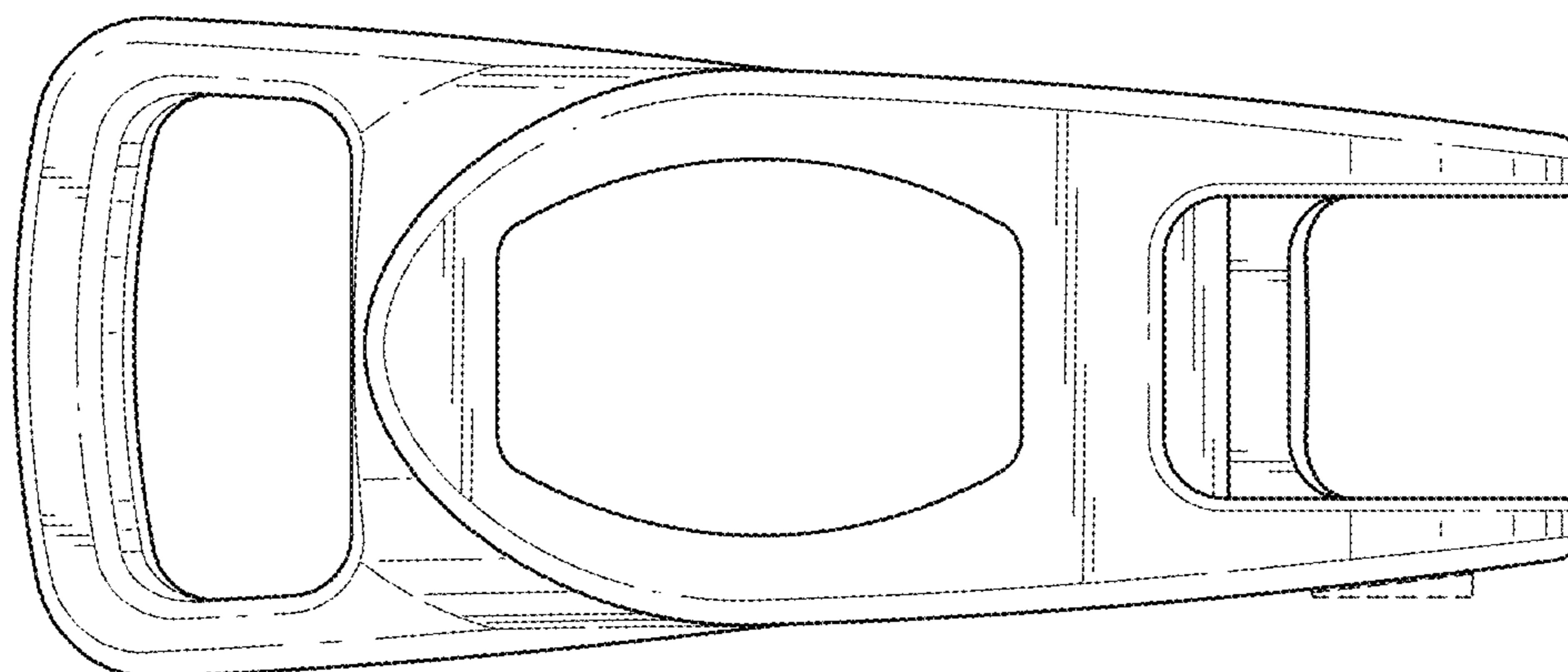


FIG. 7

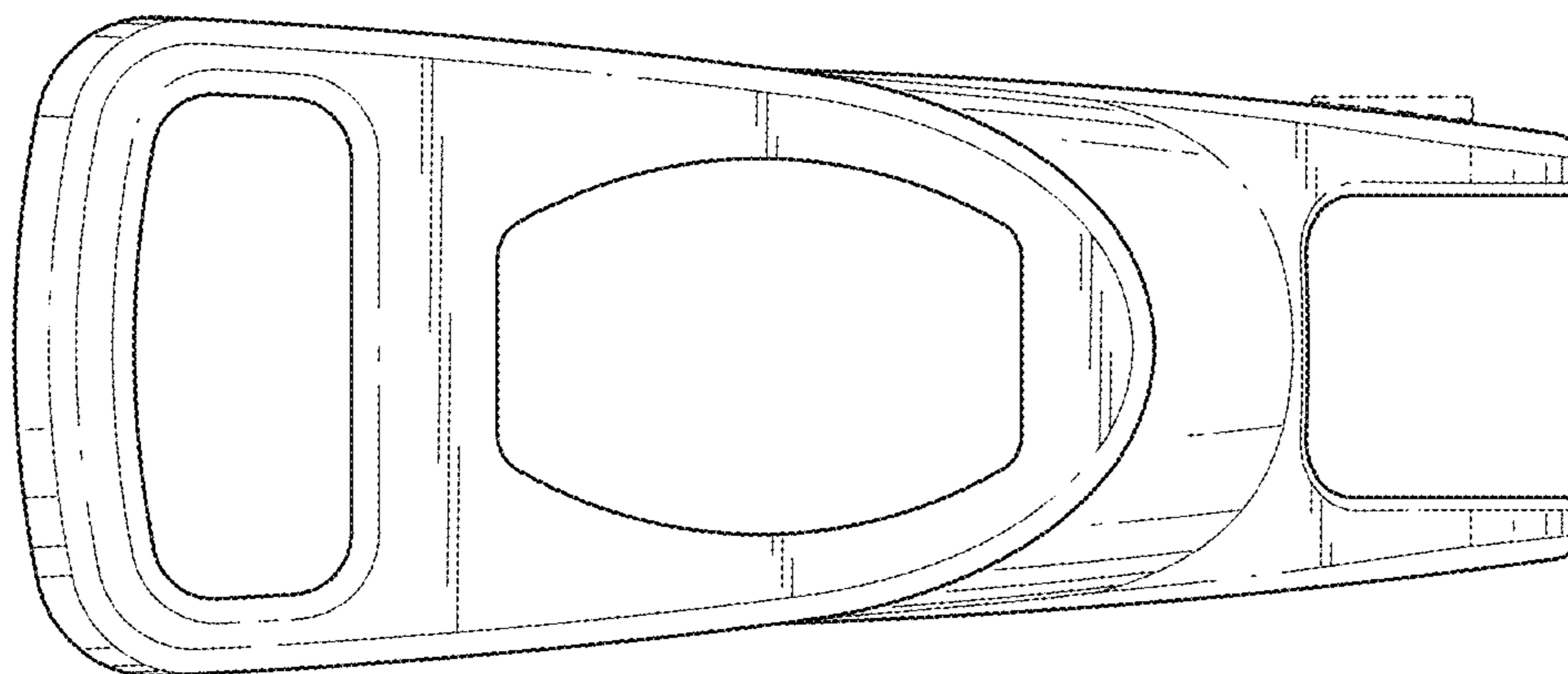


FIG. 8